

US00D547343S

(12) **United States Design Patent**
Sato

(10) **Patent No.:** **US D547,343 S**

(45) **Date of Patent:** **** Jul. 24, 2007**

(54) **ELECTRONIC CAMERA**

(75) Inventor: **Jun Sato**, Tokyo (JP)

(73) Assignee: **Fuji Photo Film Co., Ltd.**, Kanagawa (JP)

(**) Term: **14 Years**

(21) Appl. No.: **29/244,820**

(22) Filed: **Dec. 15, 2005**

(30) **Foreign Application Priority Data**

Jun. 23, 2005 (JP) 2005-018246

(51) **LOC (8) Cl.** **16-01**

(52) **U.S. Cl.** **D16/202**

(58) **Field of Classification Search** D16/200–205,
D16/206, 208, 218; 348/373–376; 358/909.1;
396/535–541

See application file for complete search history.

(56) **References Cited**

U.S. PATENT DOCUMENTS

- 6,553,188 B2 * 4/2003 Tanaka 396/535
- D484,157 S * 12/2003 Watanabe et al. D16/202
- D487,283 S * 3/2004 Watanabe D16/202
- D516,107 S * 2/2006 Kim D16/202
- D516,599 S * 3/2006 Nakamura D16/202

- D524,344 S * 7/2006 Imai D16/202
- D533,574 S * 12/2006 Hamamura D16/202
- D533,576 S * 12/2006 Martres et al. D16/218

* cited by examiner

Primary Examiner—Adir Aronovich

(74) *Attorney, Agent, or Firm*—Young & Thompson

(57) **CLAIM**

The ornamental design for an electronic camera, as shown and described.

DESCRIPTION

FIG. 1 is a top, front and side perspective view of an electronic camera showing my new design;

FIG. 2 is a front elevational view thereof;

FIG. 3 is a rear elevational view thereof;

FIG. 4 is a top plan view thereof;

FIG. 5 is a bottom plan view thereof;

FIG. 6 is a side elevational view thereof from the left of FIG. 2;

FIG. 7 is a side elevational view thereof from the right of FIG. 2; and,

FIG. 8 is a view similar to FIG. 1 but with the parts in a different position.

1 Claim, 4 Drawing Sheets

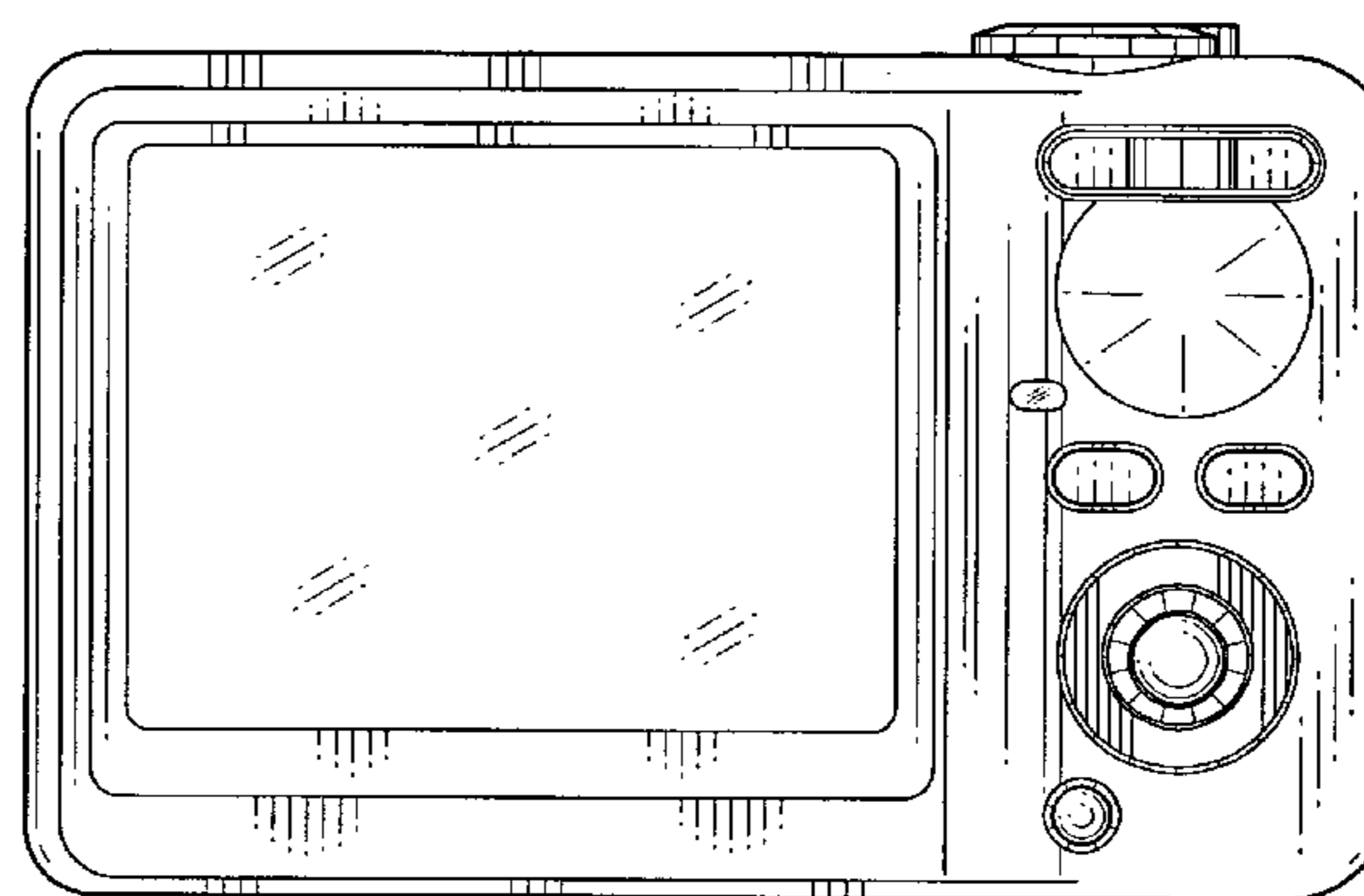
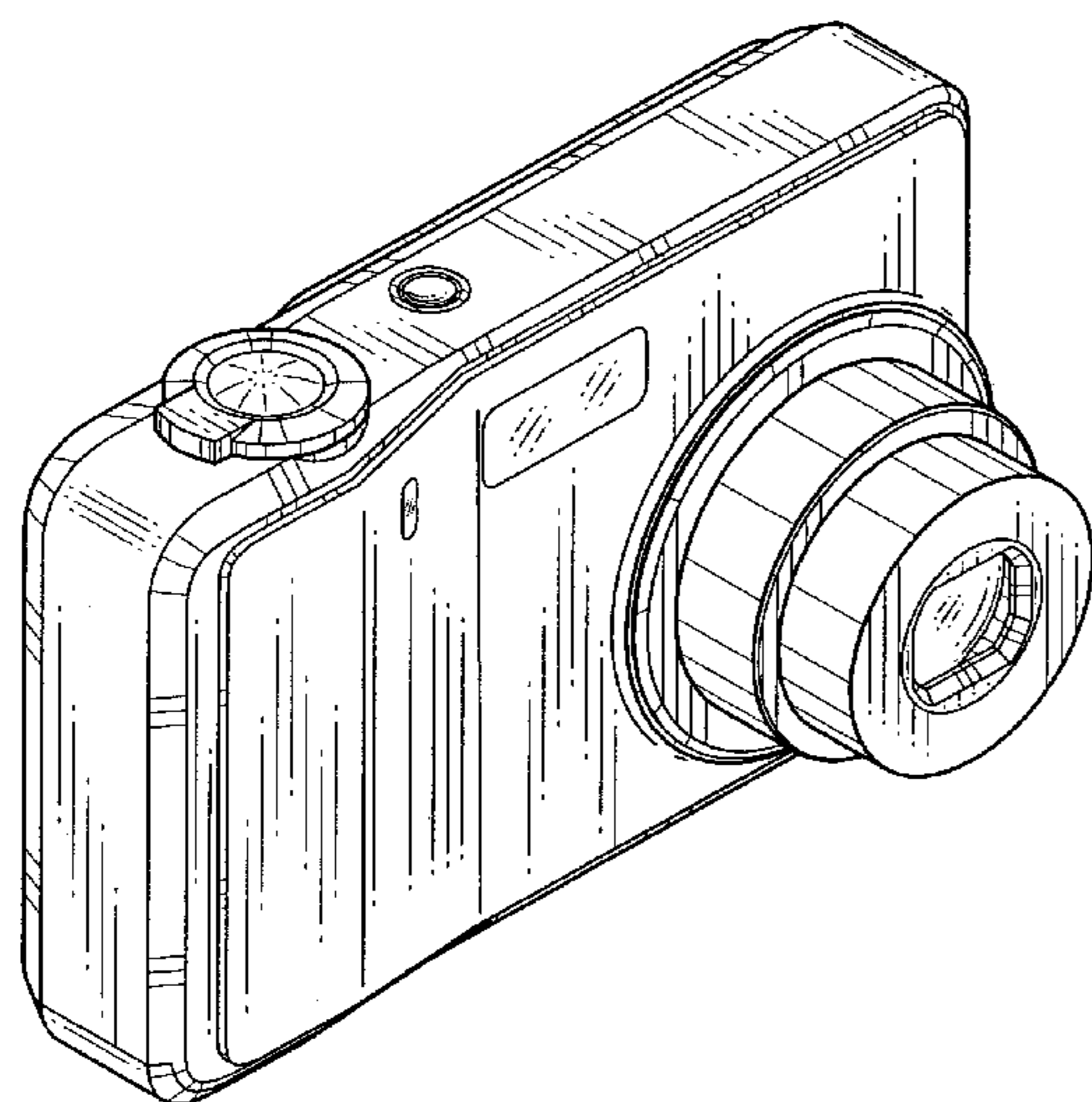


FIG. 1

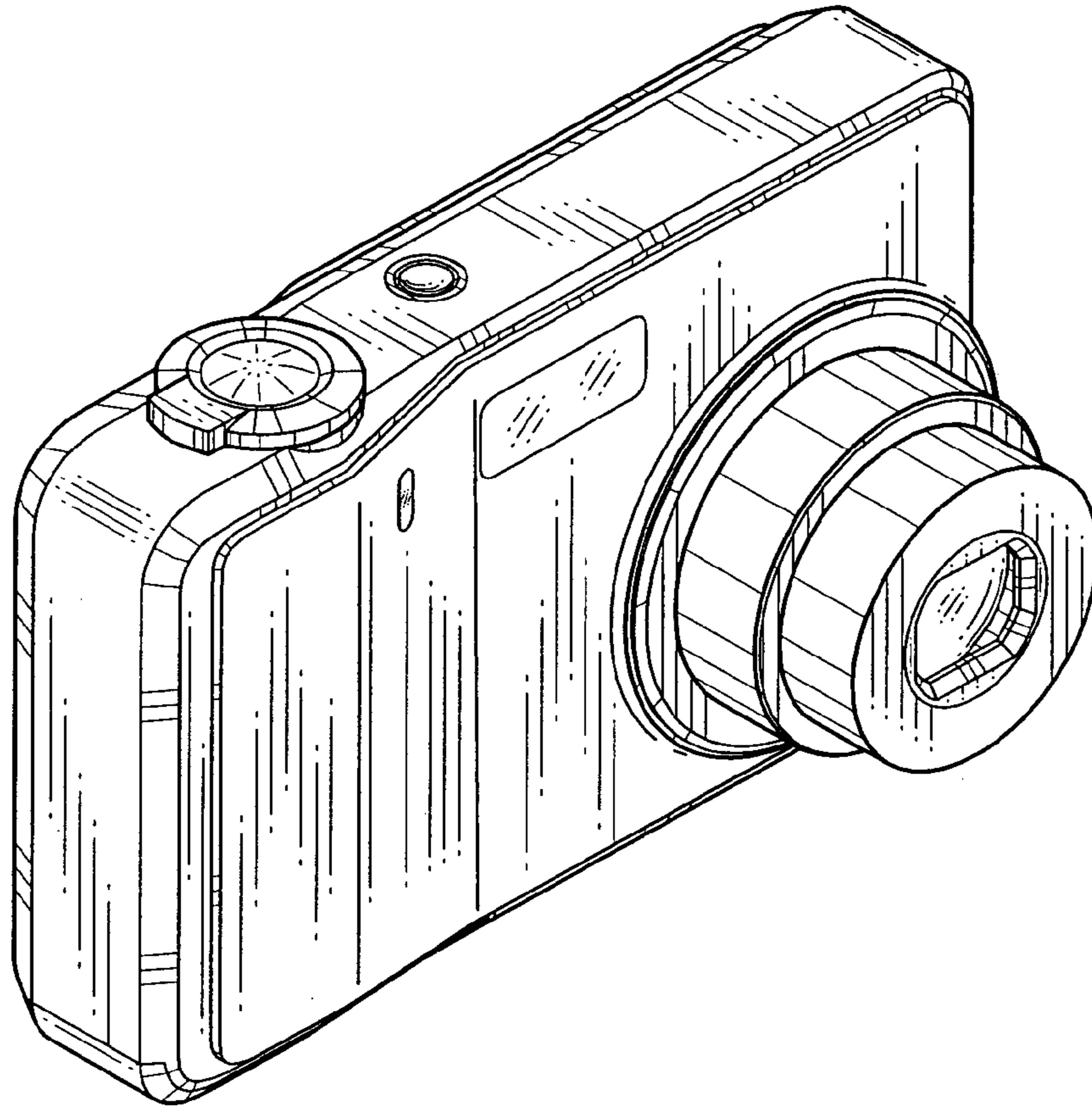


FIG. 2

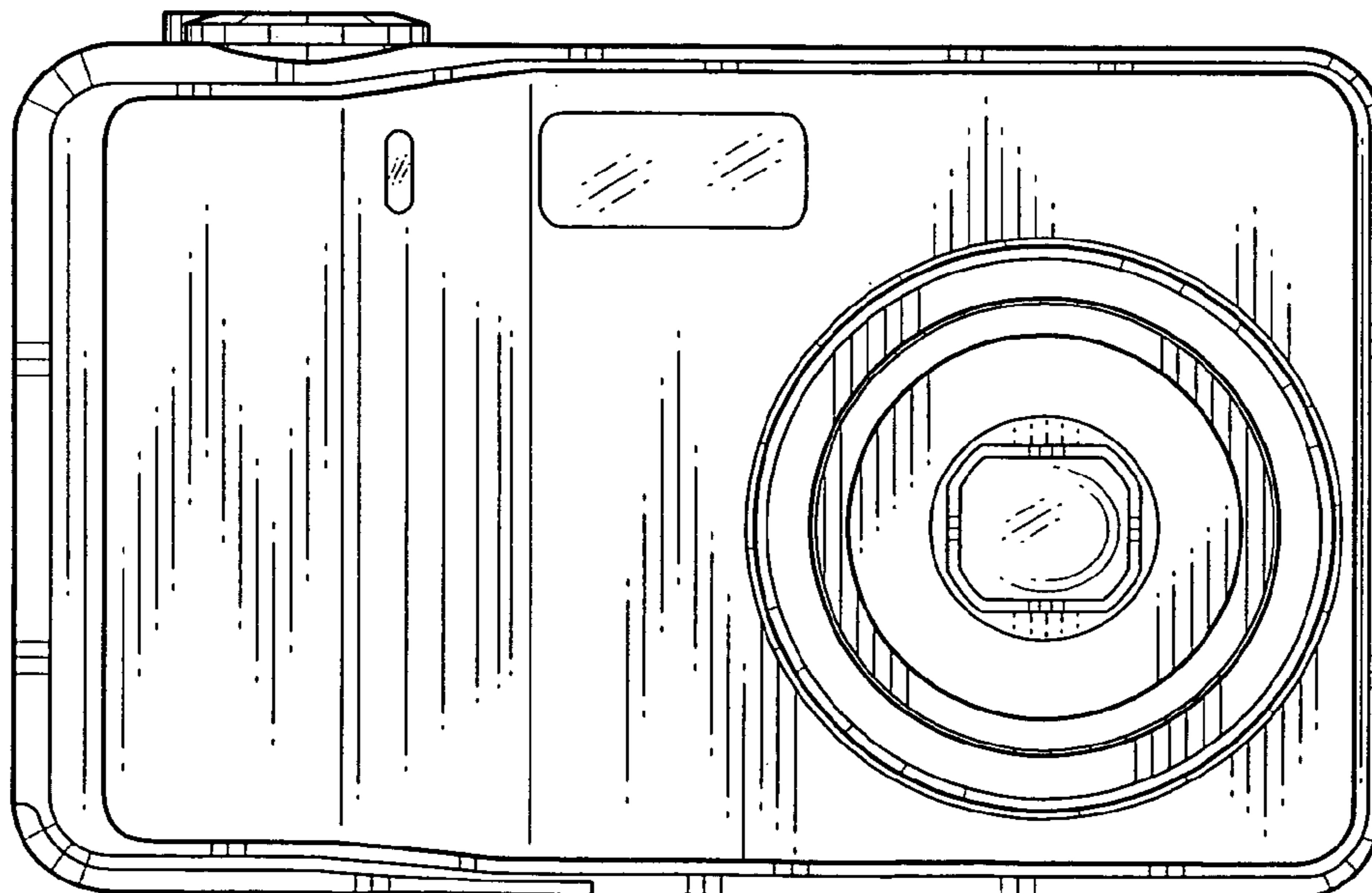


FIG.3

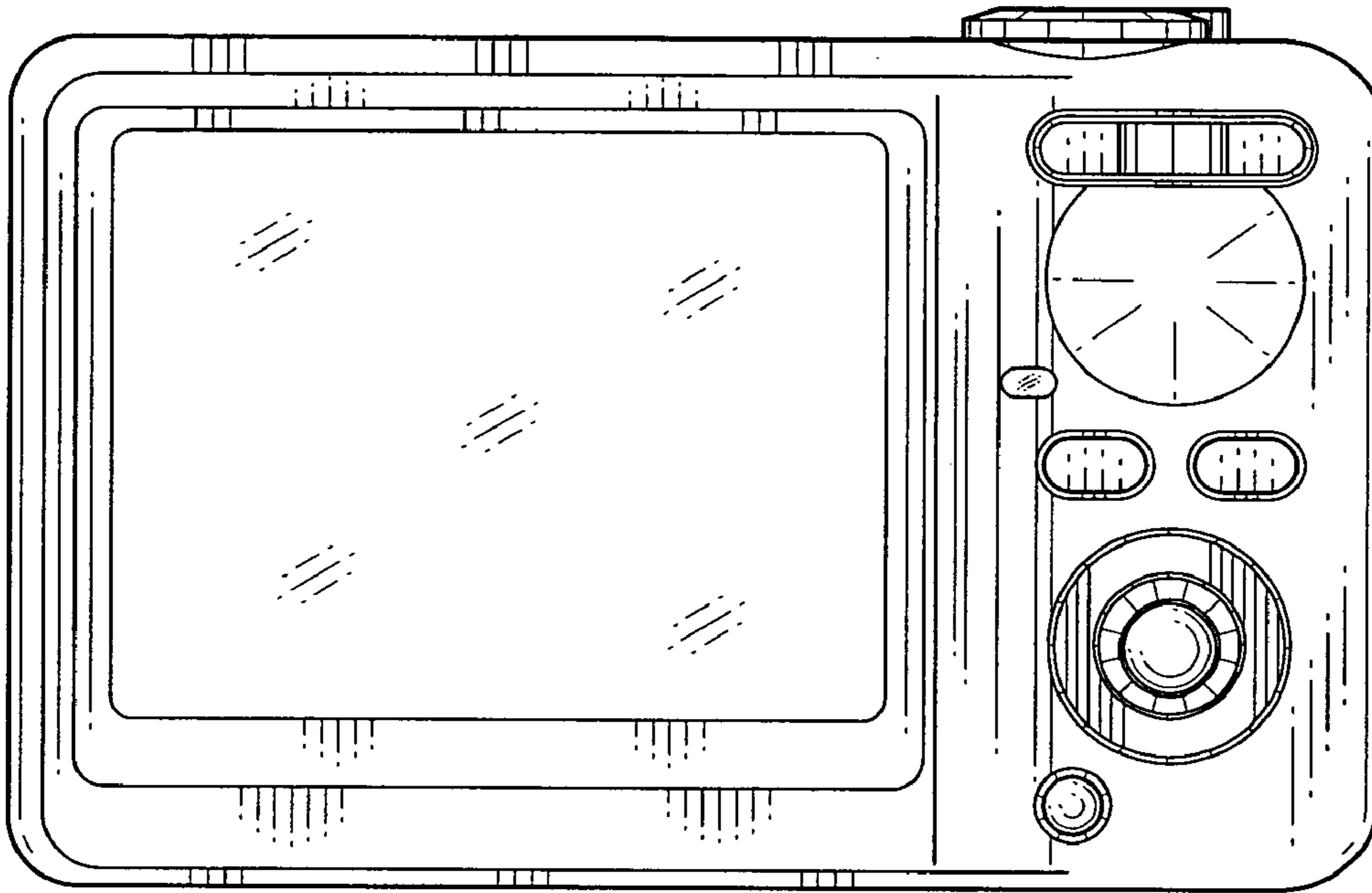


FIG.4

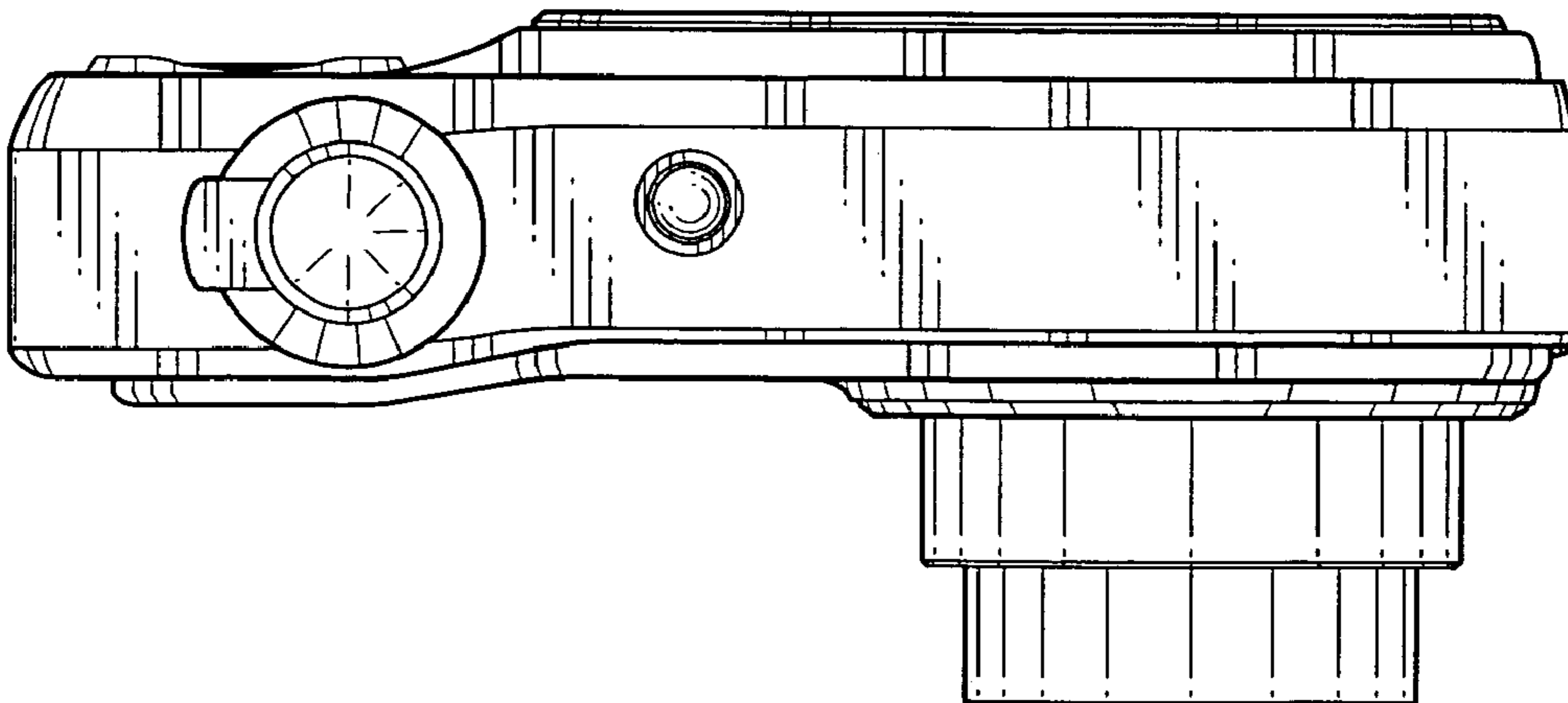


FIG.5

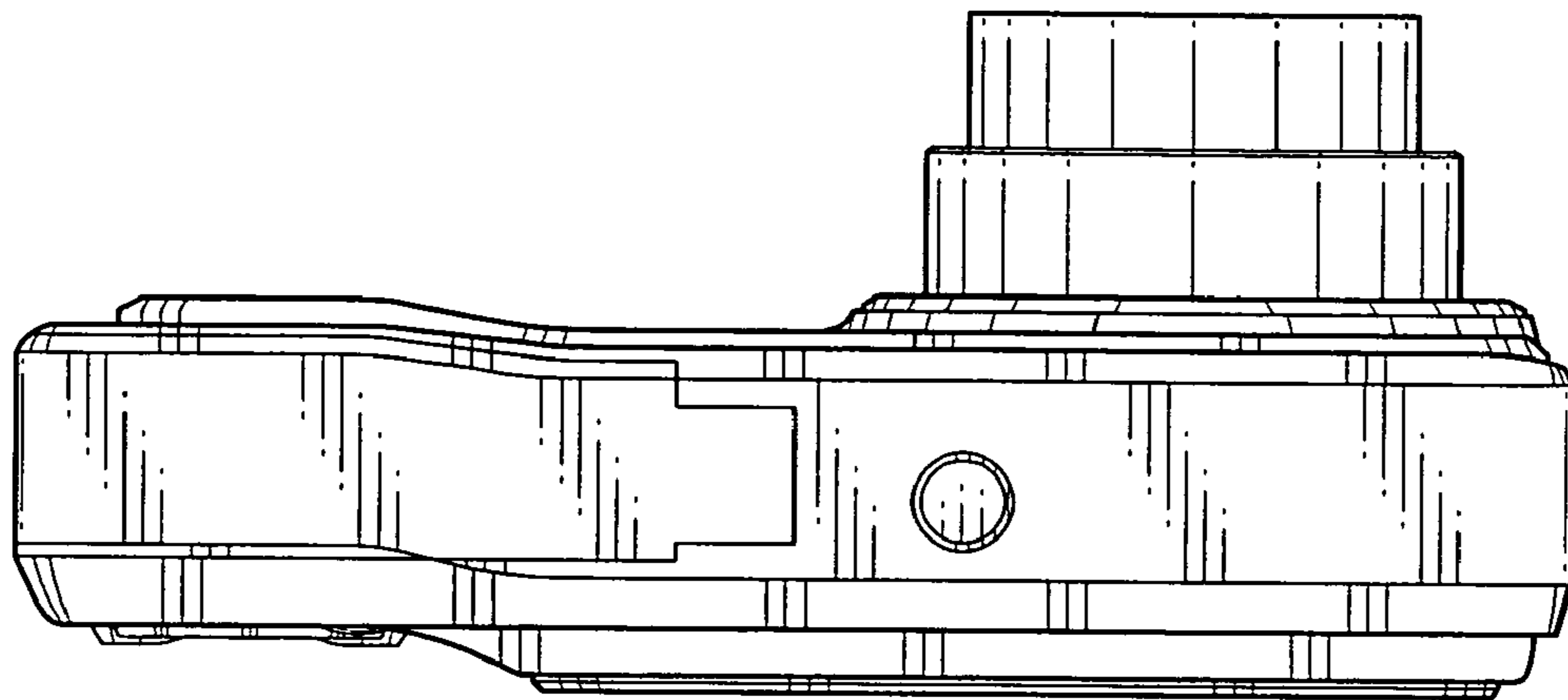


FIG.6

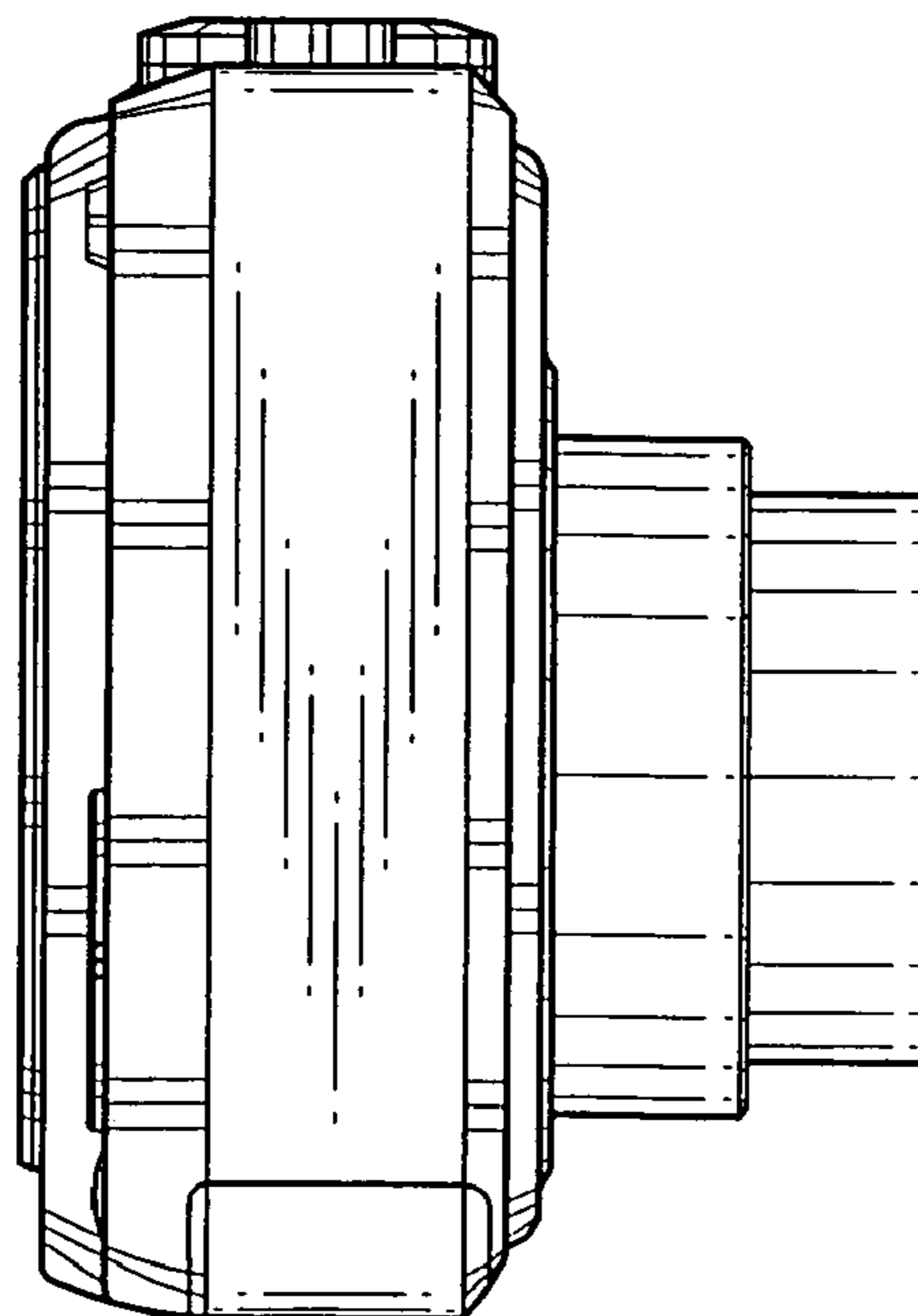


FIG. 7

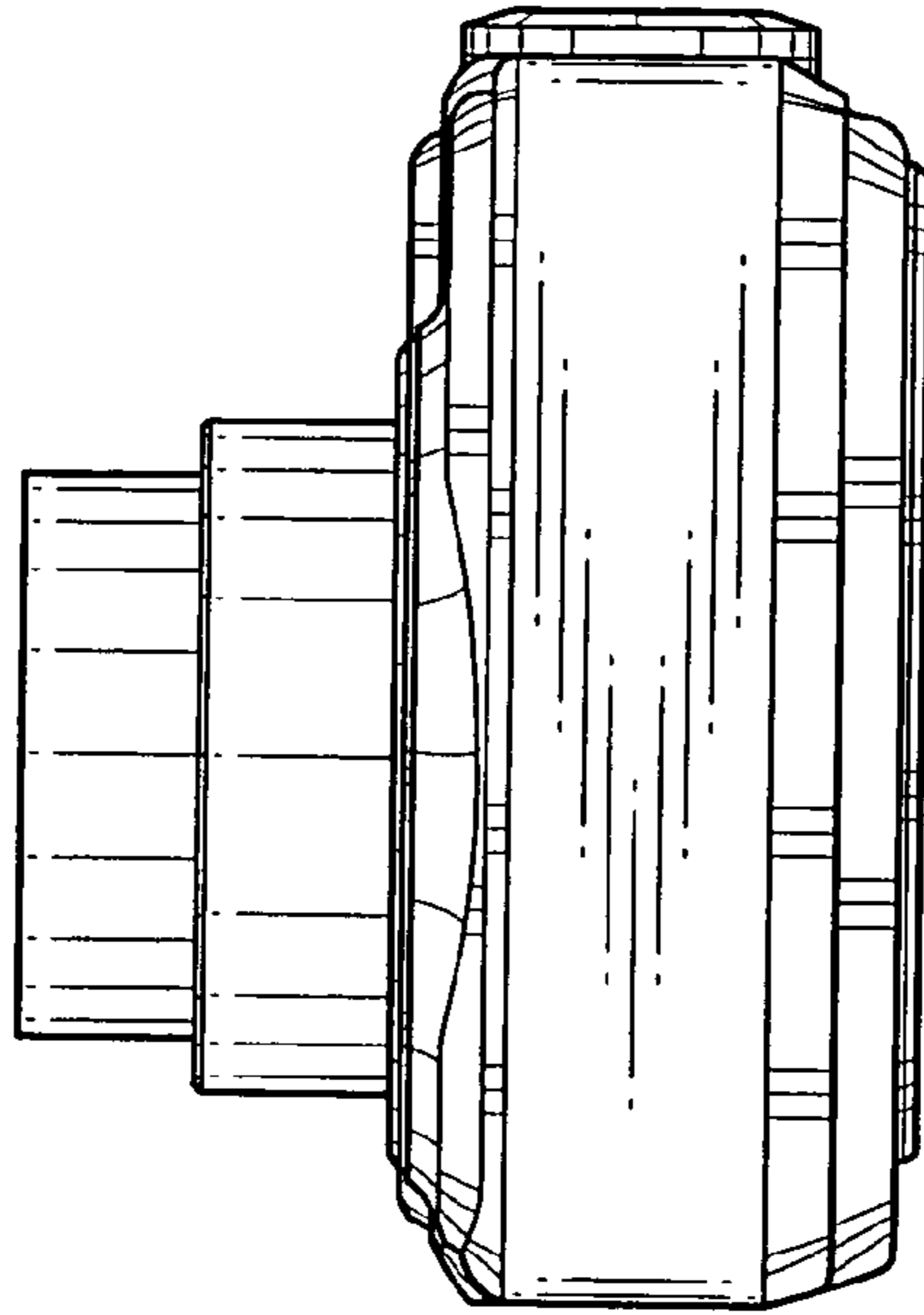


FIG. 8

