

US00D547342S

(12) **United States Design Patent**
Love

(10) **Patent No.:** **US D547,342 S**
(45) **Date of Patent:** **** Jul. 24, 2007**

(54) **EYEGLASS LENS**

(75) Inventor: **Matthew J. Love**, Rocky River, OH
(US)

(73) Assignee: **Gateway Safety, Inc.**, Cleveland, OH
(US)

(**) Term: **14 Years**

(21) Appl. No.: **29/255,322**

(22) Filed: **Mar. 7, 2006**

(51) **LOC (8) Cl.** **16-06**

(52) **U.S. Cl.** **D16/101; D16/314**

(58) **Field of Classification Search** D16/101,
D16/300-330, 332-338, 900; D21/190;
D24/110.2; 351/41, 44, 51, 52, 61-63, 83,
351/86, 92, 103-111, 114, 117, 119, 120-124,
351/128, 130-132, 136-139, 153, 159; 2/426-432,
2/434-437, 441, 447-449

See application file for complete search history.

(56) **References Cited**

U.S. PATENT DOCUMENTS

4,859,048	A *	8/1989	Jannard	351/159
D354,968	S *	1/1995	Jannard	D16/101
D359,971	S *	7/1995	Jannard	D16/101
D360,645	S *	7/1995	Canavan et al.	D16/101
5,969,786	A *	10/1999	Marcum	351/41
D458,949	S *	6/2002	Wang-Lee	D16/101
6,733,121	B1 *	5/2004	Chao	351/159
6,742,890	B1 *	6/2004	Teng	351/86

D495,729	S *	9/2004	Hou	D16/315
6,820,978	B1 *	11/2004	Tsai	351/103
D502,725	S *	3/2005	Yang	D16/315
7,104,646	B2 *	9/2006	Yang	351/120

* cited by examiner

Primary Examiner—T. Chase Nelson

Assistant Examiner—Barbara Blanton Lohr

(74) *Attorney, Agent, or Firm*—Fay Sharpe LLP

(57) **CLAIM**

The ornamental design for an eyeglass lens, as shown and described.

DESCRIPTION

FIG. 1 is a perspective view of an eyeglass lens showing my new design;

FIG. 2 is a perspective view thereof with presently unclaimed arm and bridge portions shown in broken line;

FIG. 3 is one side view thereof;

FIG. 4 is the other side view thereof;

FIG. 5 is a front view thereof;

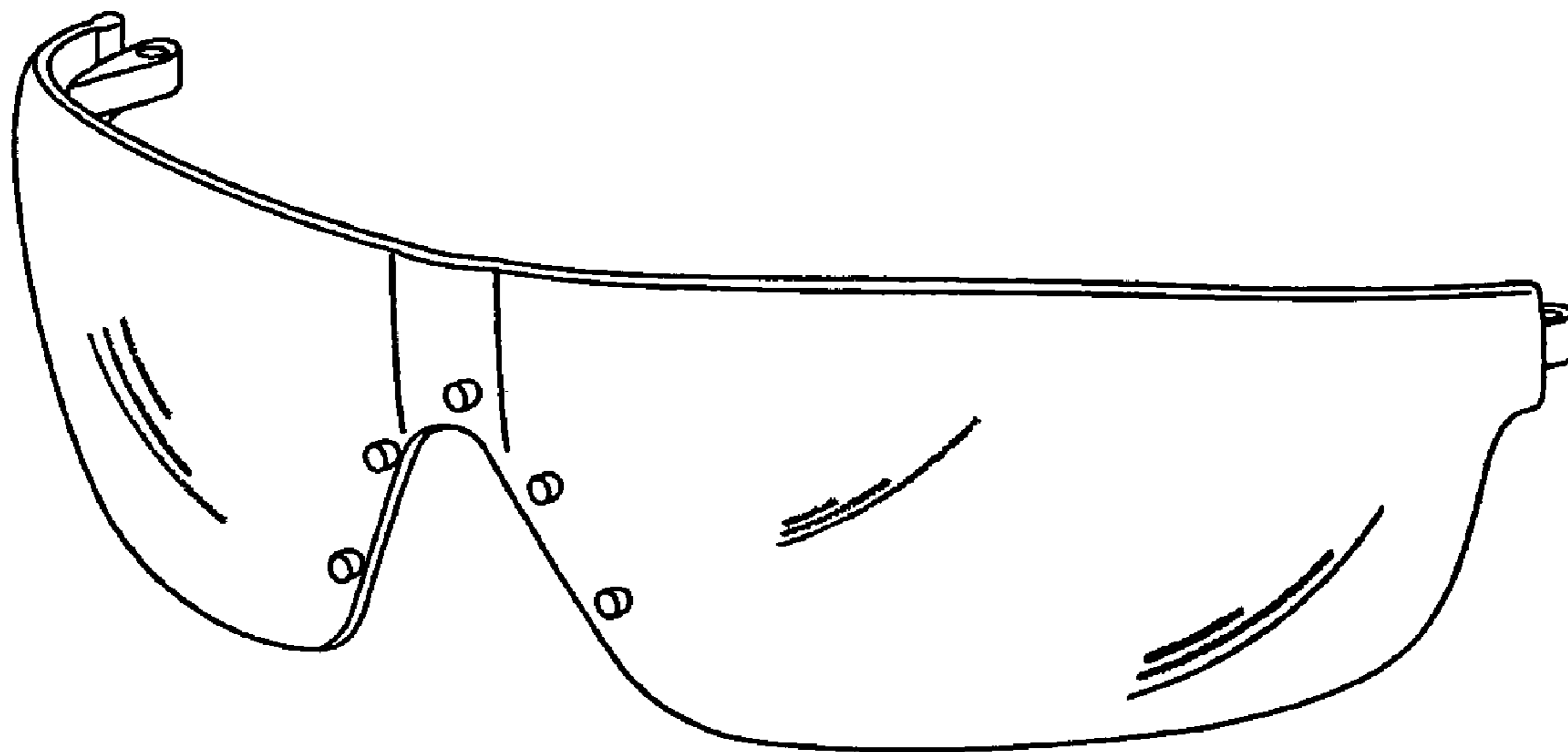
FIG. 6 is a top view thereof;

FIG. 7 is a rear view thereof; and,

FIG. 8 is a bottom view thereof.

Broken line showings are for illustrative purposes and presently form no part of the claimed design.

1 Claim, 3 Drawing Sheets



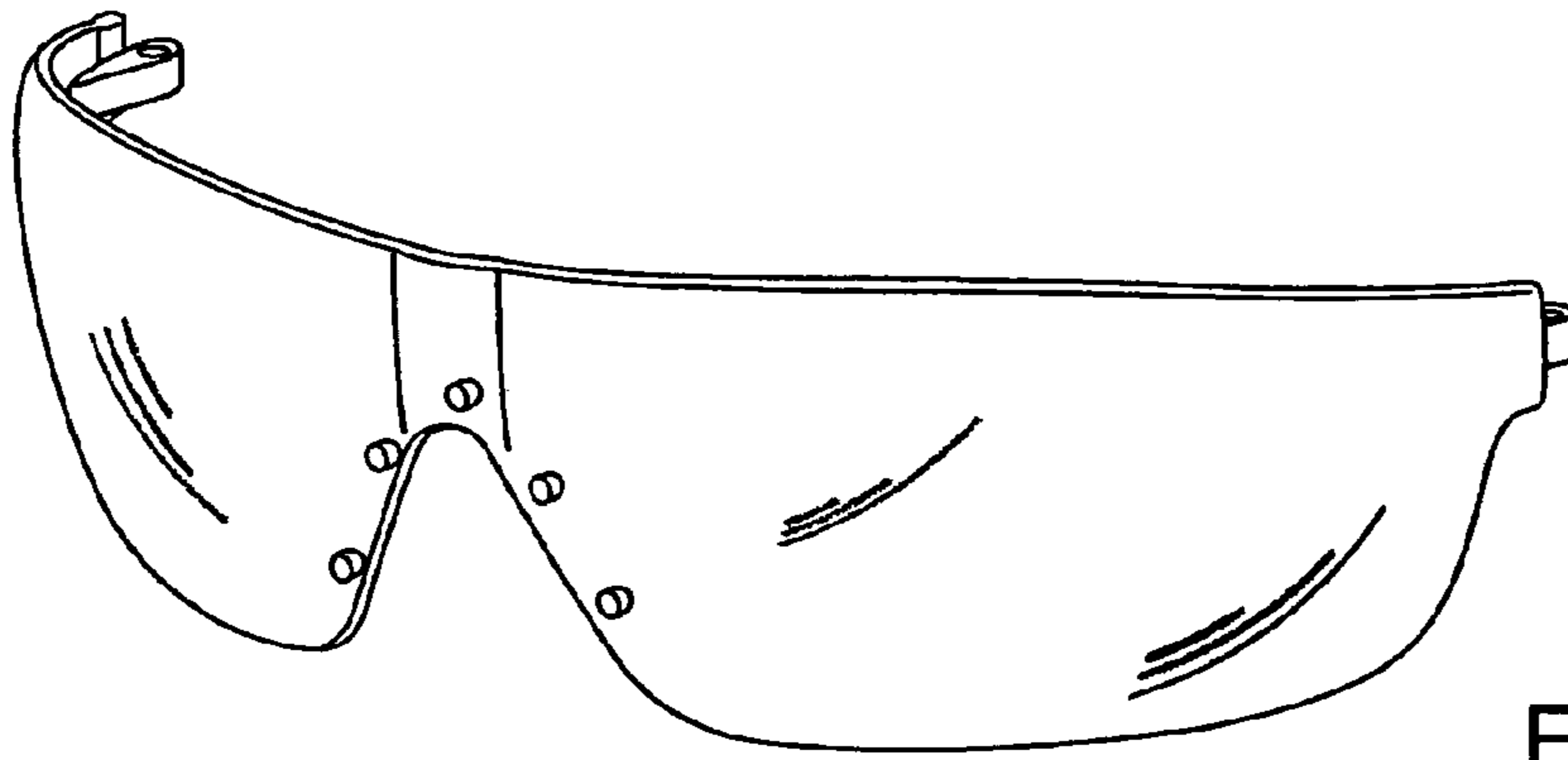


FIGURE 1

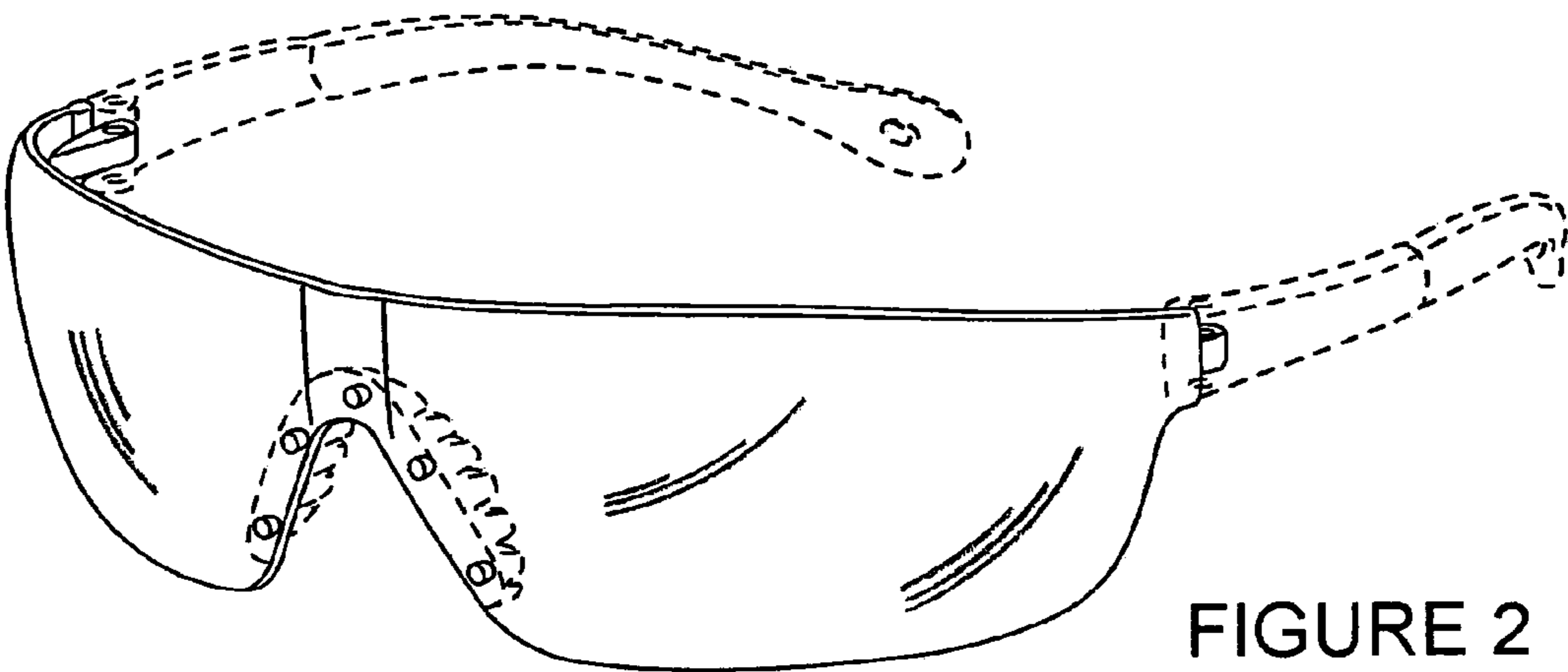


FIGURE 2

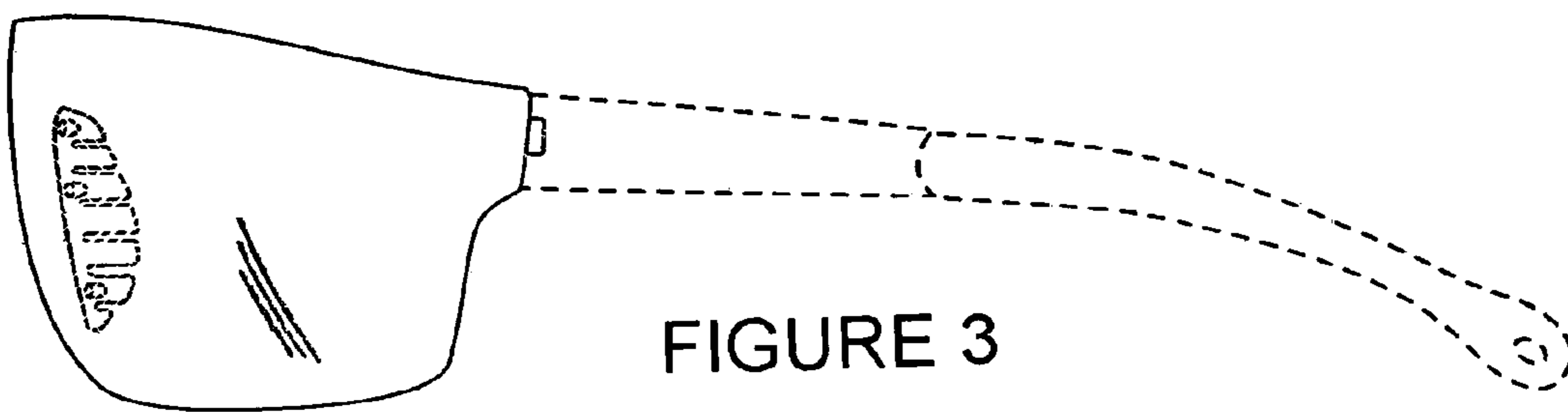


FIGURE 3

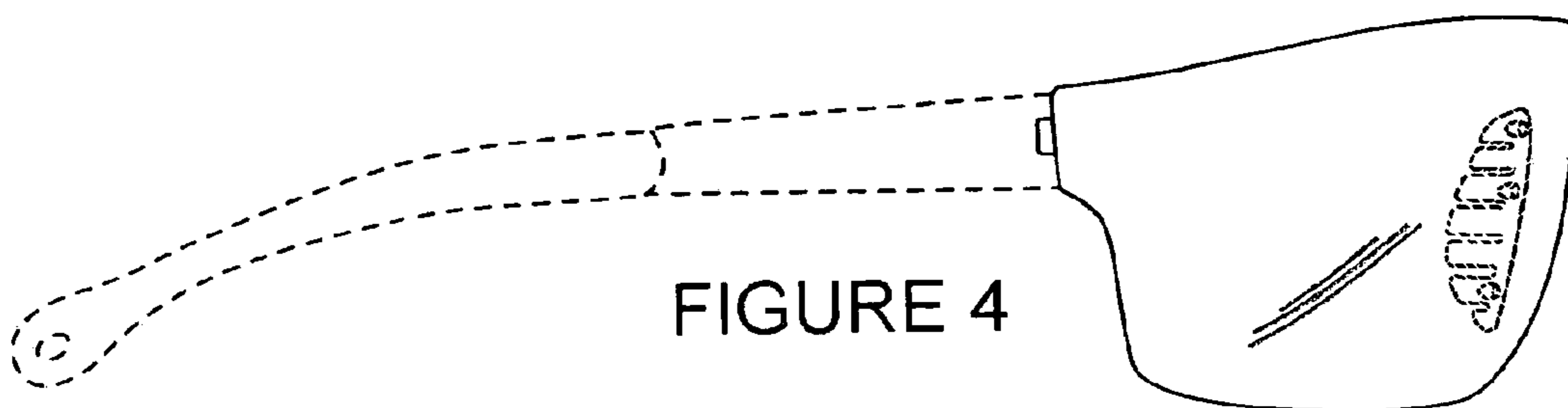


FIGURE 4

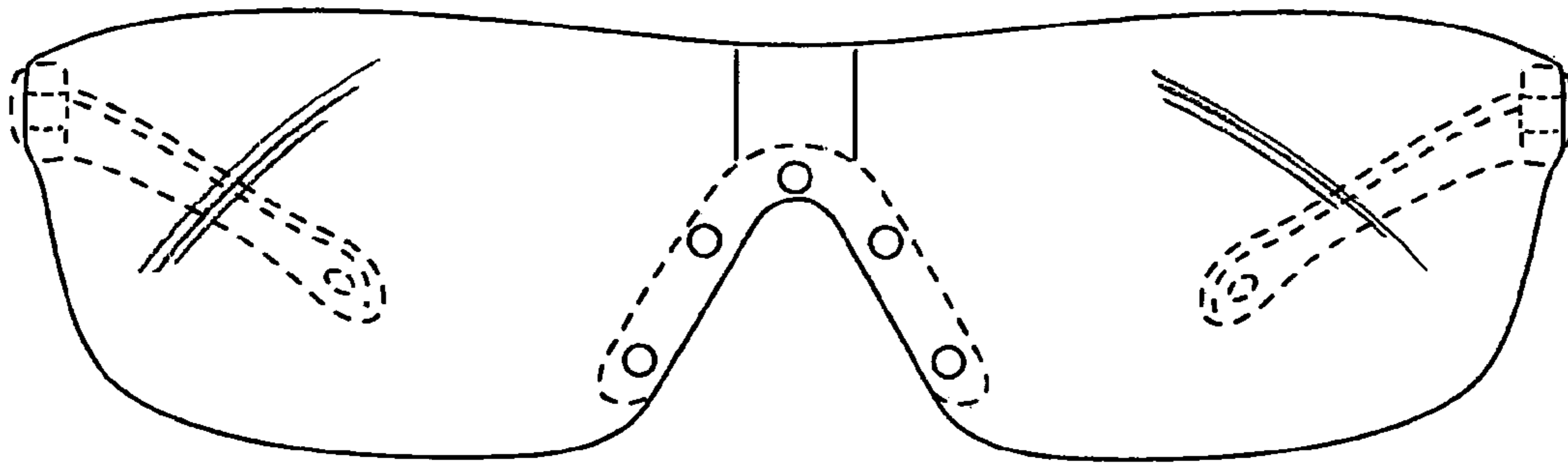


FIGURE 5

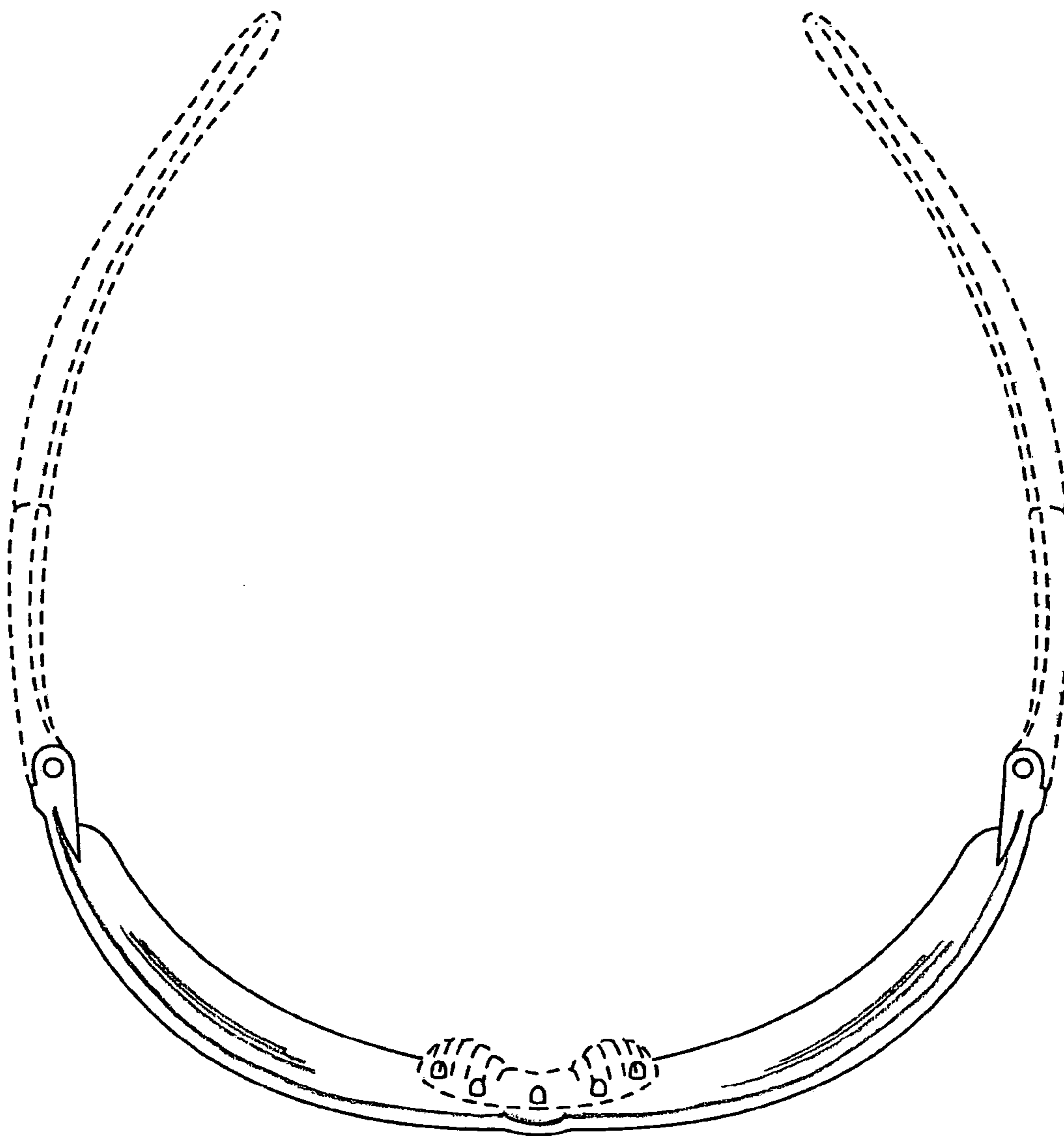


FIGURE 6

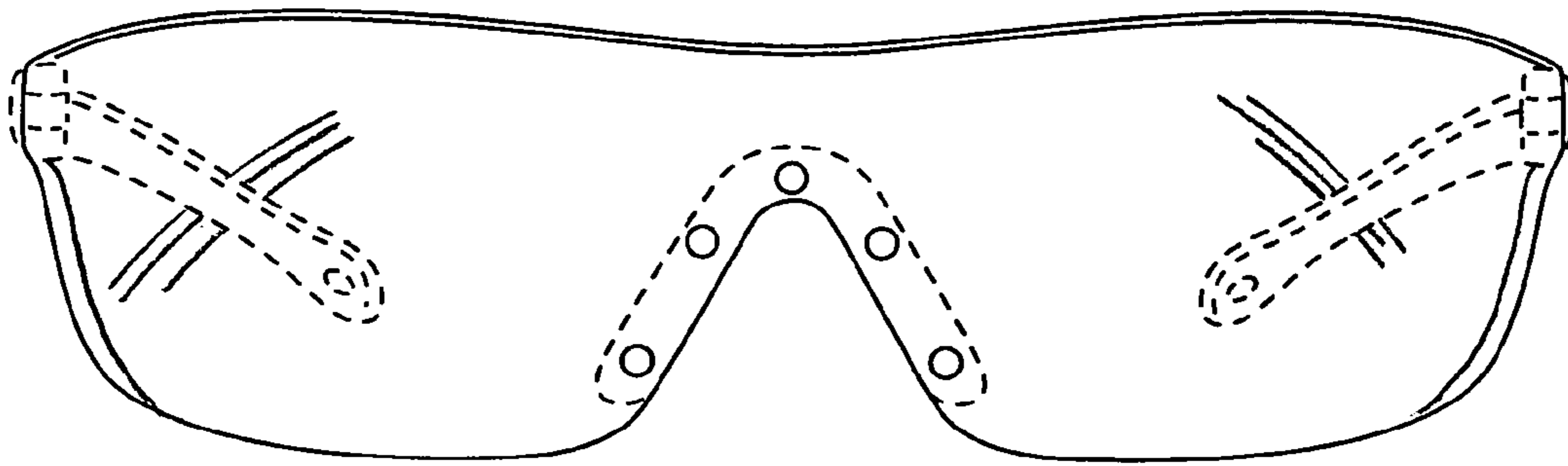


FIGURE 7

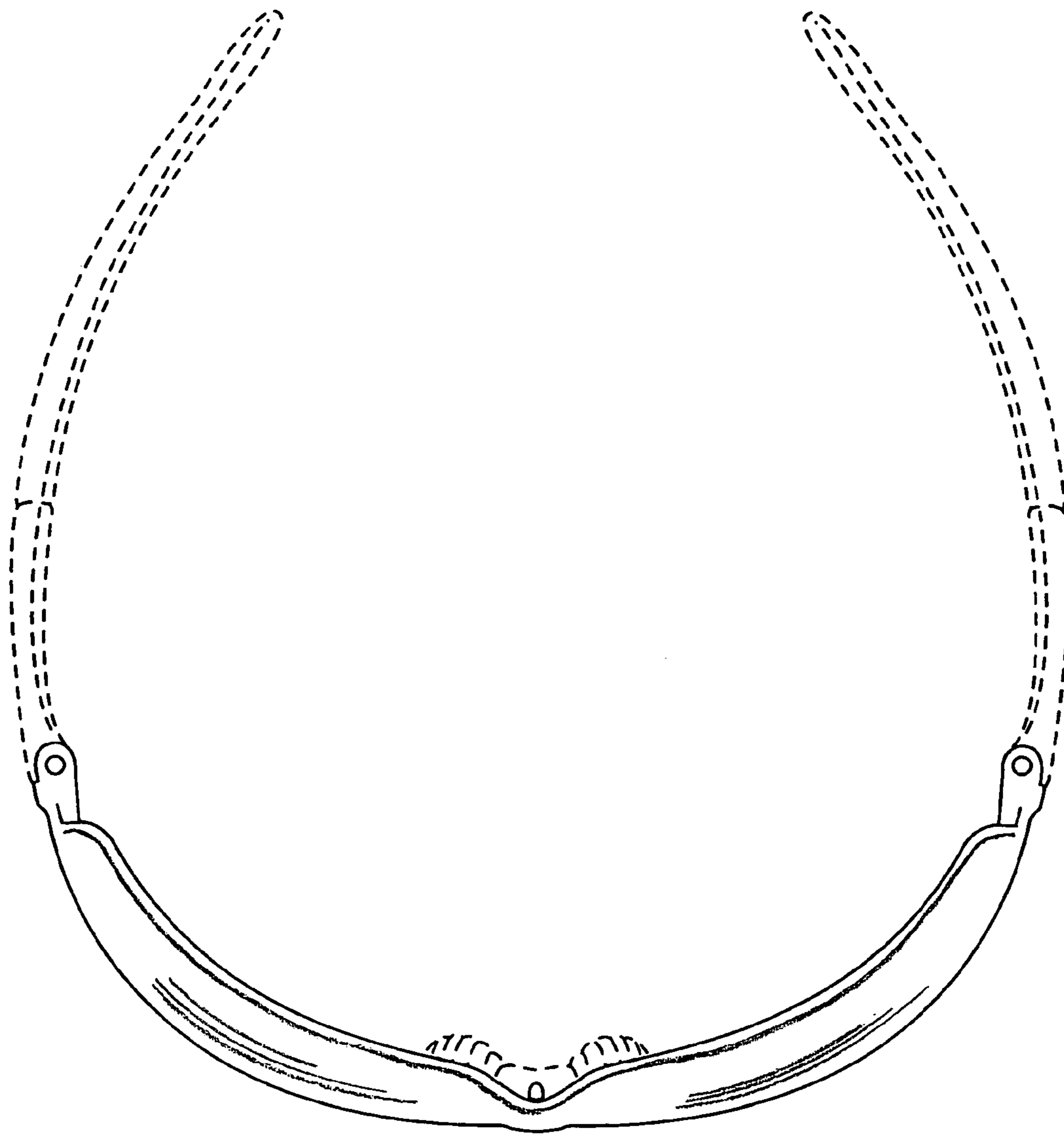


FIGURE 8