

US00D547341S

(12) **United States Design Patent**
Russo et al.

(10) **Patent No.:** **US D547,341 S**

(45) **Date of Patent:** **** Jul. 24, 2007**

(54) **SHAPING DEVICE**

(75) Inventors: **Peter Russo**, Bedford, MA (US); **Bill Cooke**, Warwick, RI (US); **Patricia Sylvia**, Narragansett, RI (US)

(73) Assignee: **Fiskars Brands, Inc.**, Madison, WI (US)

(**) Term: **14 Years**

(21) Appl. No.: **29/258,257**

(22) Filed: **Apr. 19, 2006**

(51) **LOC (8) Cl.** **15-09**

(52) **U.S. Cl.** **D15/139**

(58) **Field of Classification Search** D15/138,
D15/139; 83/651; 175/80; 407/54, 57,
407/63; 408/199-234; 409/137, 138
See application file for complete search history.

(56) **References Cited**

U.S. PATENT DOCUMENTS

3,564,945	A *	2/1971	Bradley	408/224
3,758,222	A *	9/1973	Oakes	408/224
4,582,458	A *	4/1986	Korb et al.	408/224
5,427,477	A *	6/1995	Weiss	408/224
5,466,100	A *	11/1995	Ahluwalia	408/224

D447,495	S *	9/2001	Strobel et al.	D15/139
6,890,133	B2 *	5/2005	Singh et al.	408/225
D526,670	S *	8/2006	Ibey	D15/139
2006/0093448	A1 *	5/2006	Kelsey	408/224

* cited by examiner

Primary Examiner—Antoine D. Davis

Assistant Examiner—Patricia Palasik

(74) *Attorney, Agent, or Firm*—Foley & Lardner, LLP

(57) **CLAIM**

The ornamental design for a shaping device, as shown and described.

DESCRIPTION

FIG. 1 is a front perspective view of a shaping device showing our new design;

FIG. 2 is a rear perspective view thereof;

FIG. 3 is a top view thereof;

FIG. 4 is a bottom view thereof;

FIG. 5 is a side view thereof;

FIG. 6 is a front view thereof; and,

FIG. 7 is a rear view thereof.

1 Claim, 3 Drawing Sheets

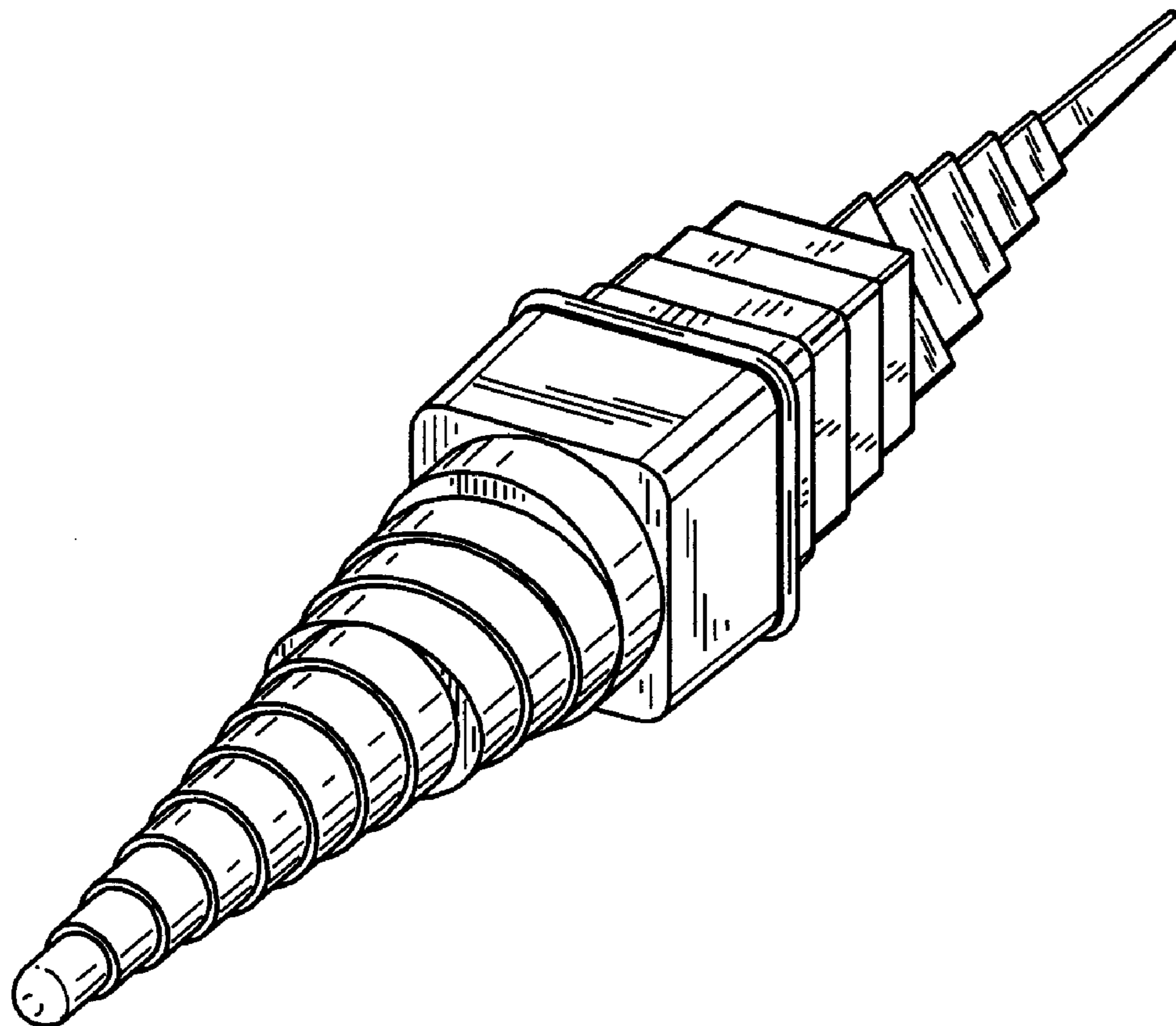


FIG. 1

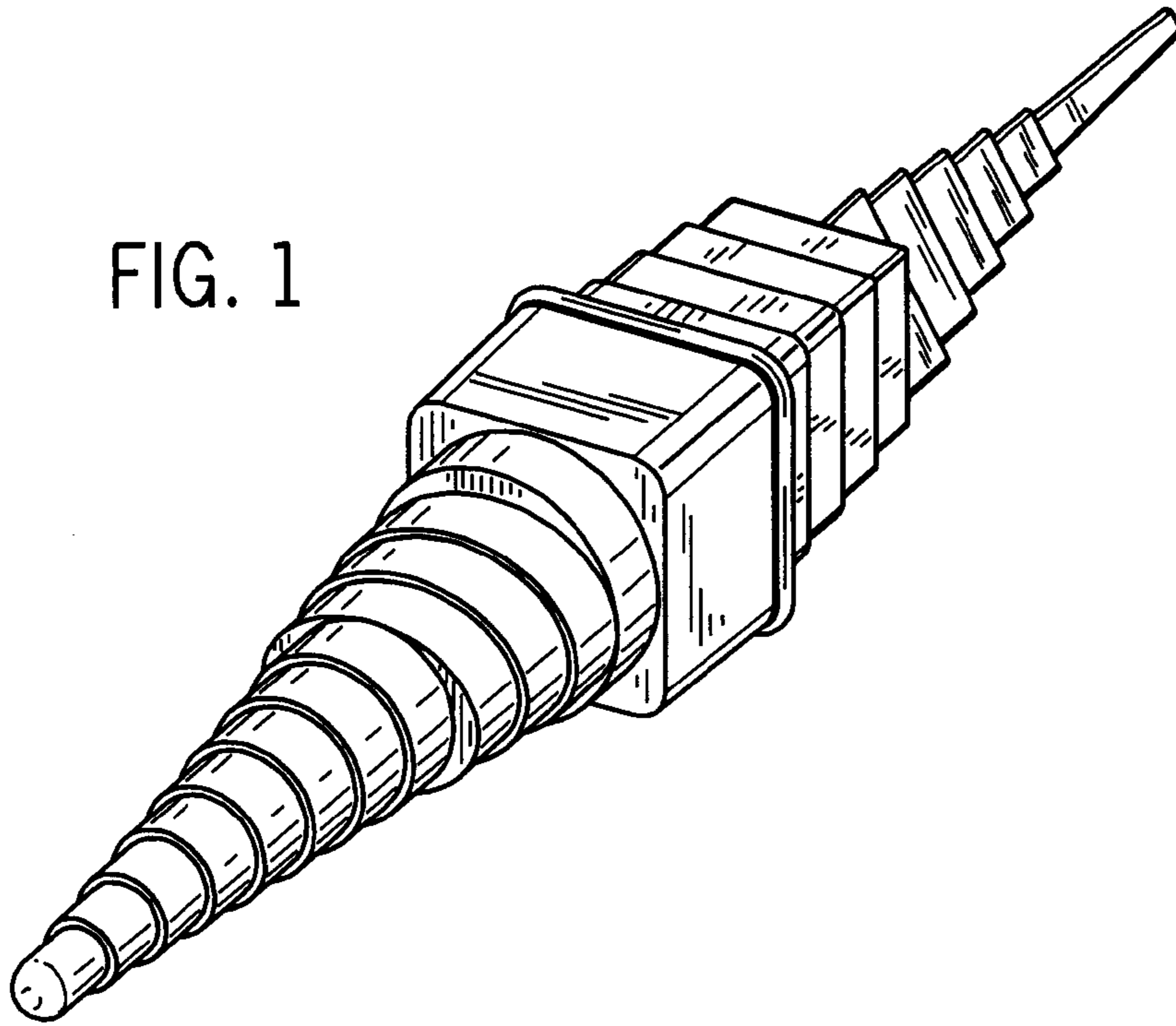
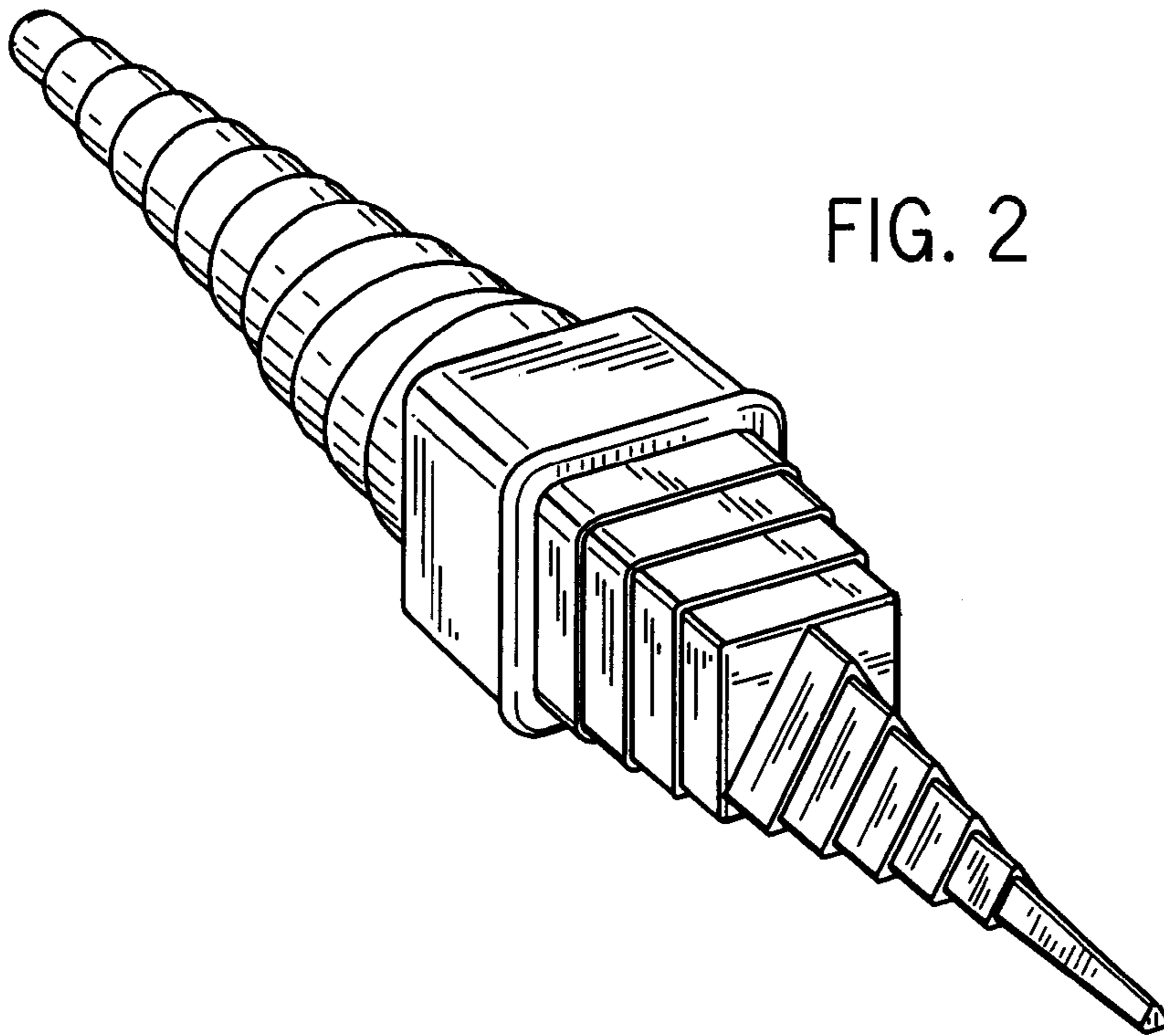


FIG. 2



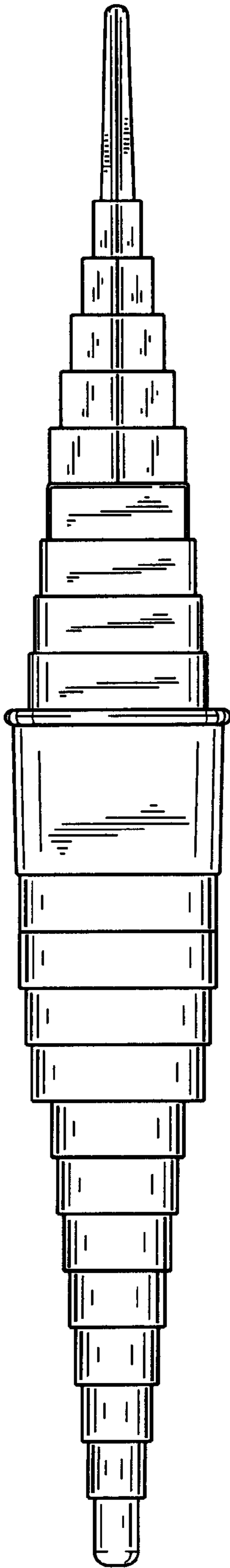


FIG. 3

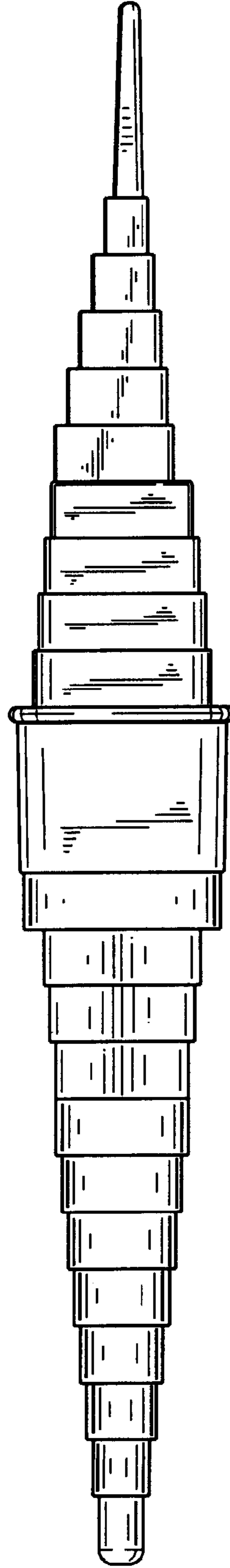


FIG. 4

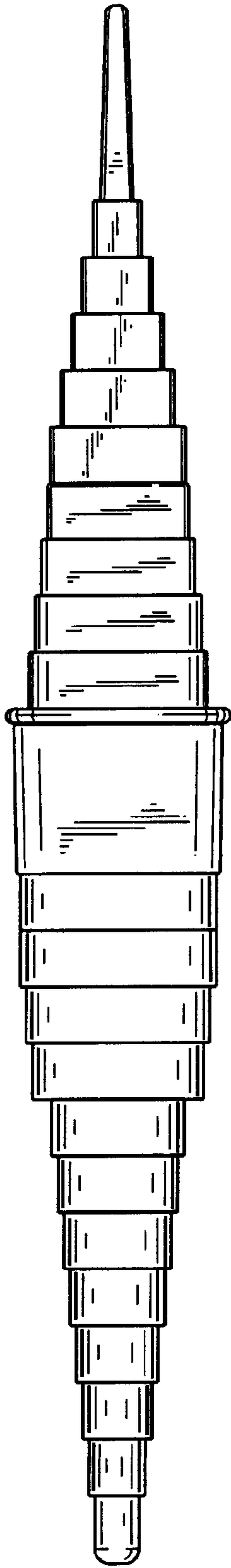


FIG. 5

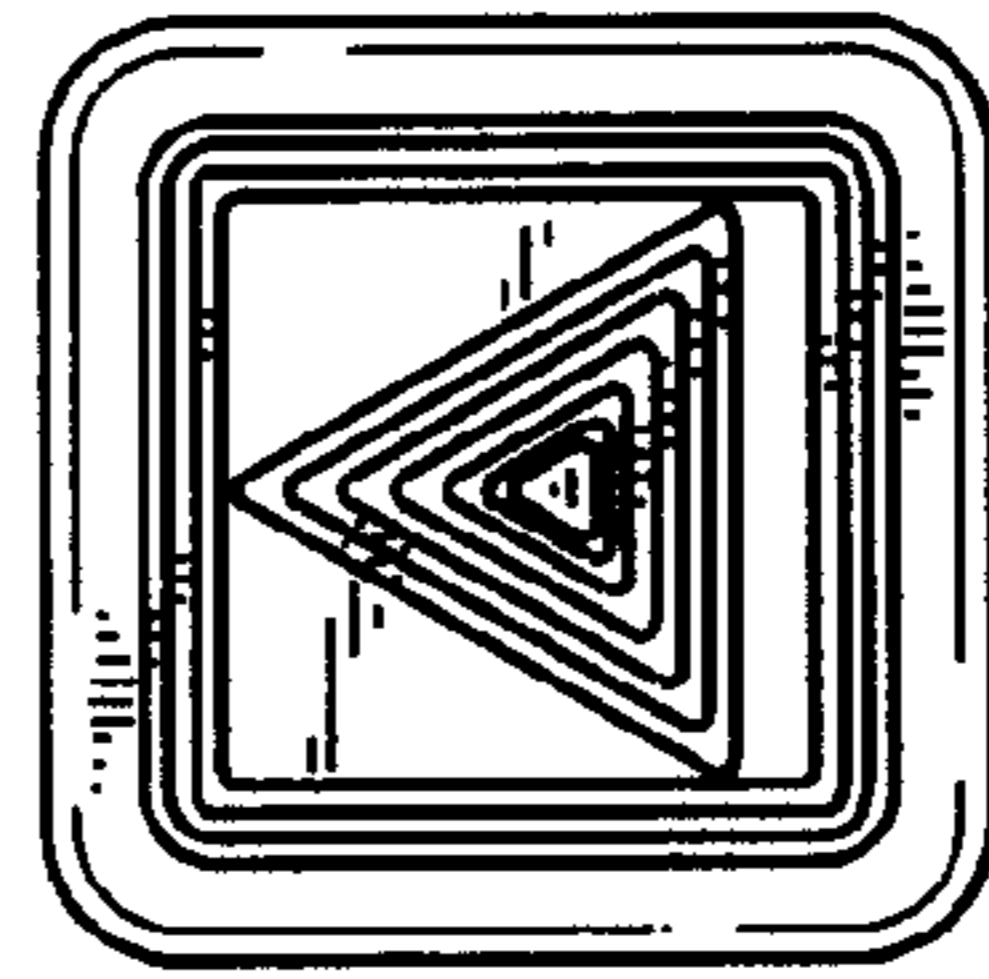


FIG. 7

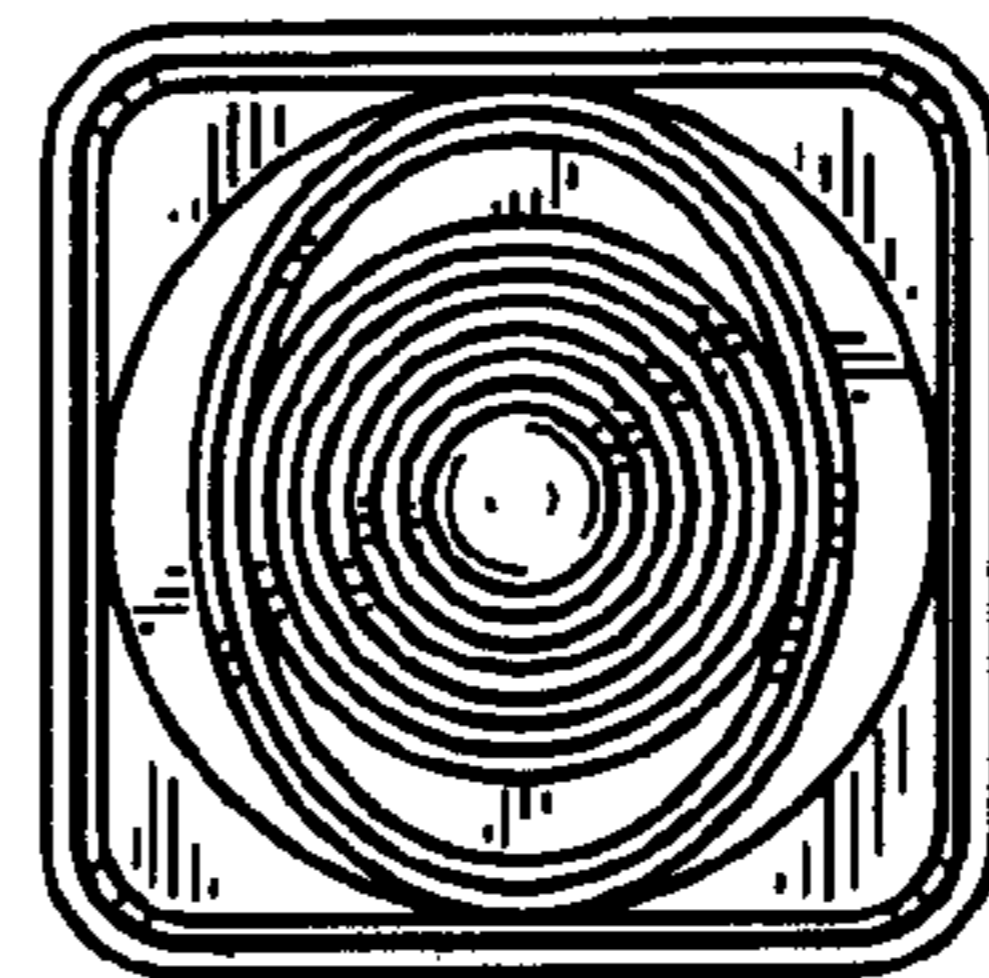


FIG. 6