

US00D547339S

(12) **United States Design Patent** (10) **Patent No.:** **US D547,339 S**  
**Ayala et al.** (45) **Date of Patent:** **\*\* Jul. 24, 2007**

(54) **ROLLER DIE PRESS**  
(75) Inventors: **Gerardo D. Ayala**, Provo, UT (US);  
**Michael Horito**, Provo, UT (US); **Tyler Allan**, Springville, UT (US)  
(73) Assignee: **Provo Craft and Novelty, Inc.**, Spanish Fork, UT (US)

2,641,781 A 6/1953 Haskell  
3,064,559 A 11/1962 Treer  
3,094,091 A 6/1963 Peccerill  
3,261,044 A 7/1966 Hoff  
3,264,978 A \* 8/1966 Staley ..... 101/28  
3,266,358 A 8/1966 Cox et al.  
D211,608 S 7/1968 Gray  
3,400,625 A 9/1968 Wrona

(Continued)

(\*\*) Term: **14 Years**

FOREIGN PATENT DOCUMENTS

(21) Appl. No.: **29/252,910**

JP 11-034184 2/1999

(22) Filed: **Jan. 30, 2006**

(Continued)

(51) **LOC (8) Cl.** ..... **15-09**  
(52) **U.S. Cl.** ..... **D15/136**  
(58) **Field of Classification Search** ..... D15/123,  
D15/128, 135, 136; 100/39, 83, 176, 233,  
100/245, 282, 327, 918; 101/22, 28, 120,  
101/127.1, 244, 336; 156/495, 522, 542,  
156/555-556, 579, DIG. 2, DIG. 27, DIG. 33,  
156/DIG. 39, DIG. 42, DIG. 48; 242/156,  
242/419.9; 452/142

*Primary Examiner*—Antoine D. Davis  
*Assistant Examiner*—Patricia Palasik  
(74) *Attorney, Agent, or Firm*—Morriss O'Bryant  
Compagni, P.C.

See application file for complete search history.

(57) **CLAIM**

(56) **References Cited**

The ornamental design for a roller die press, as shown and described.

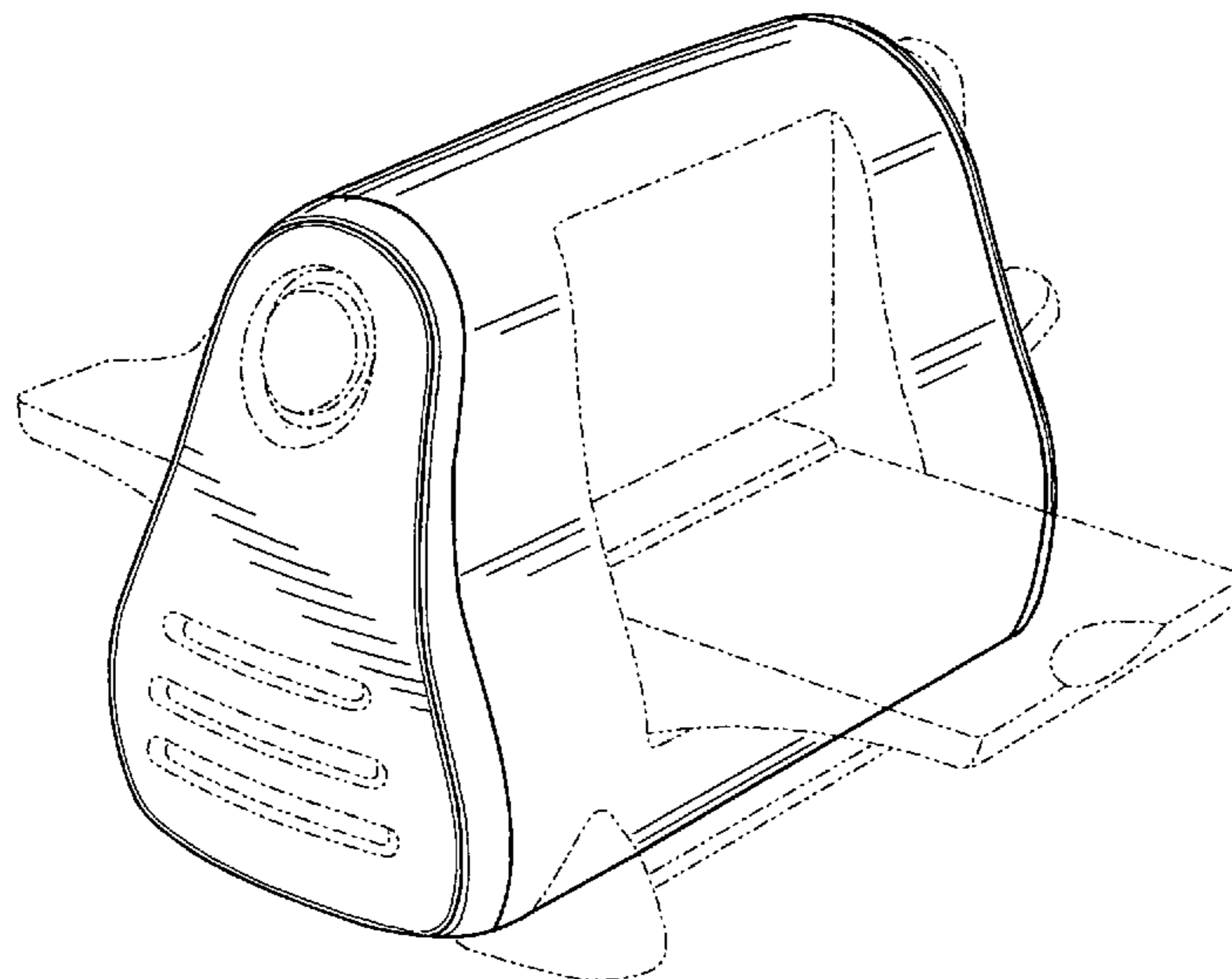
U.S. PATENT DOCUMENTS

756,902 A 4/1904 Shoemaker  
896,478 A 8/1908 Stockman  
1,453,405 A 5/1923 Platt  
1,658,823 A 2/1928 Willard  
1,950,726 A \* 3/1934 Graybill ..... 72/398  
2,019,009 A 10/1935 Hendrix  
2,111,057 A \* 3/1938 Swanson ..... 101/22  
2,112,011 A 3/1938 Byerlein  
D110,803 S \* 8/1938 Ditty ..... D18/14  
2,164,806 A \* 7/1939 Eickman ..... 83/205  
2,260,183 A 10/1941 Leslie  
2,619,173 A 11/1952 Crain  
2,625,908 A 1/1953 Knott

**DESCRIPTION**

FIG. 1 is a perspective view of the roller die press;  
FIG. 2 is a perspective view of the roller die press;  
FIG. 3 is a front side view of the roller die press;  
FIG. 4 is a back side view of the roller die press;  
FIG. 5 is a left side view of the roller die press;  
FIG. 6 is a right side view of the roller die press;  
FIG. 7 is a top side view of the roller die press; and,  
FIG. 8 is a bottom side view of the roller die press.  
The broken line showing of the roller die press is included for the purpose of illustrating portions of the roller die press and forms no part of the claimed design.

**1 Claim, 4 Drawing Sheets**



# US D547,339 S

Page 2

## U.S. PATENT DOCUMENTS

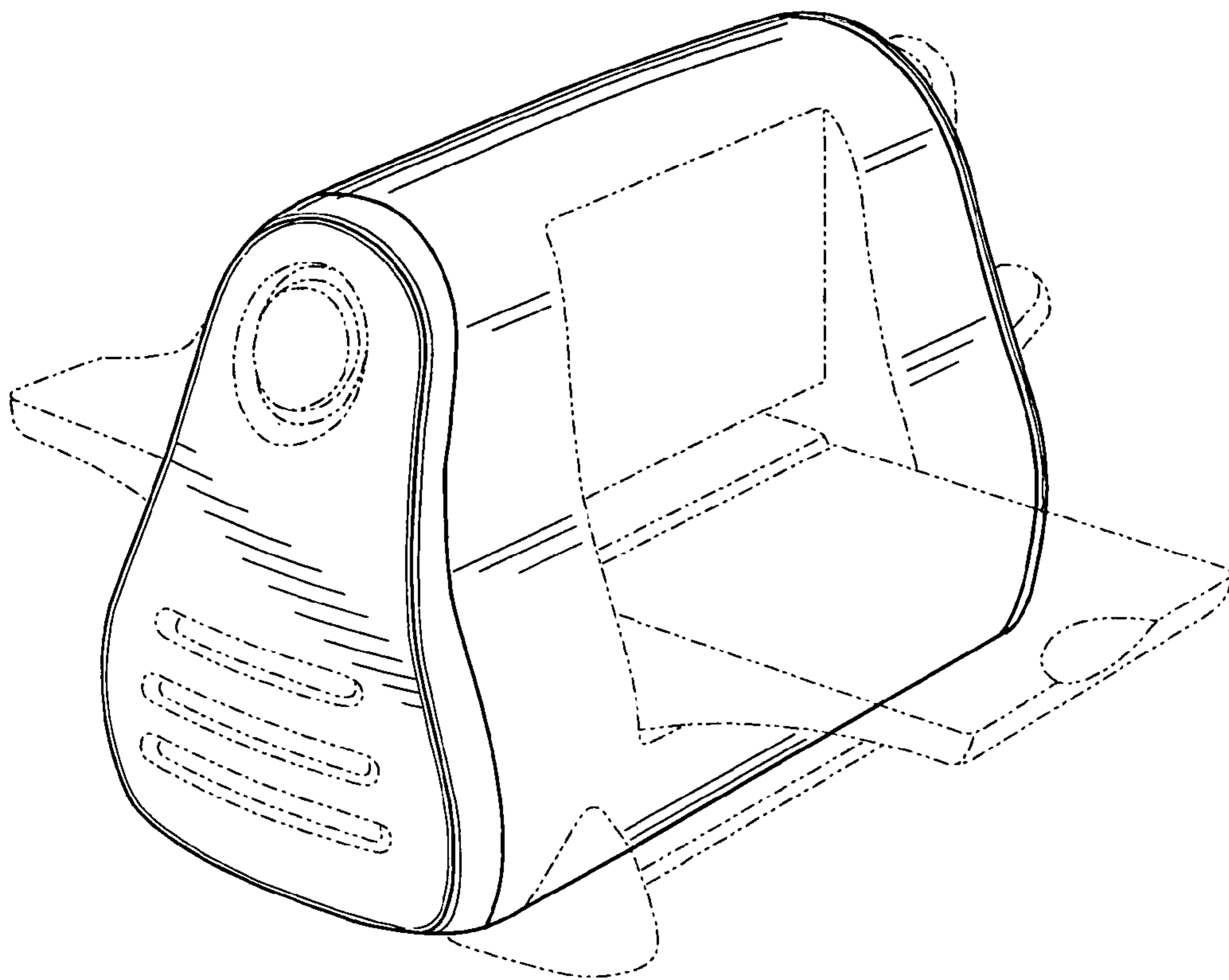
3,555,949 A \* 1/1971 Treff ..... 83/125  
3,667,334 A 6/1972 Brunett  
3,926,032 A 12/1975 Brooks et al.  
3,935,811 A 2/1976 Lenz et al.  
3,986,447 A 10/1976 Zimmer  
4,065,990 A 1/1978 Edhlund  
D257,777 S 1/1981 Eichenberg et al.  
4,345,516 A 8/1982 Sinclair  
4,462,291 A 7/1984 Schulz  
4,537,546 A 8/1985 Lucas  
4,638,731 A 1/1987 Kato  
4,697,485 A \* 10/1987 Raney ..... 83/34  
D296,565 S 7/1988 Eichenberg et al.  
4,761,988 A 8/1988 Kato  
4,763,551 A 8/1988 Halff et al.  
5,069,732 A \* 12/1991 Levine ..... 100/211  
5,172,622 A 12/1992 Sabin  
5,230,156 A 7/1993 Patenaude  
5,255,587 A 10/1993 Eichenberg et al.  
D341,842 S 11/1993 Eichenberg et al.  
D359,967 S 7/1995 Eichenberg et al.  
5,544,576 A 8/1996 Kato  
5,584,962 A \* 12/1996 Bradshaw et al. .... 156/522  
5,628,226 A 5/1997 Weissman

D380,488 S 7/1997 Elstad et al.  
5,775,213 A 7/1998 Hyde  
D400,914 S 11/1998 Corcoran et al.  
D468,187 S 1/2003 Corcoran et al.  
D472,564 S 4/2003 Corcoran et al.  
6,619,195 B2 9/2003 Corcoran et al.  
6,843,296 B2 \* 1/2005 Lemens et al. .... 156/555  
D508,701 S \* 8/2005 Corcoran et al. .... D15/123  
6,945,166 B2 9/2005 Corcoran et al.  
7,066,083 B2 6/2006 Corcoran et al.  
7,104,304 B2 \* 9/2006 Ensign et al. .... 156/555  
2002/0178935 A1 12/2002 Corcoran et al.  
2003/0019370 A1 1/2003 Corcoran et al.  
2003/0098123 A1 \* 5/2003 Miller ..... 156/555  
2004/0112196 A1 6/2004 Corcoran et al.  
2005/0056166 A1 3/2005 Corcoran et al.  
2005/0061168 A1 3/2005 Corcoran et al.  
2005/0253324 A1 11/2005 Corcoran et al.  
2005/0268761 A1 12/2005 Corcoran et al.  
2006/0032385 A1 2/2006 Corcoran et al.

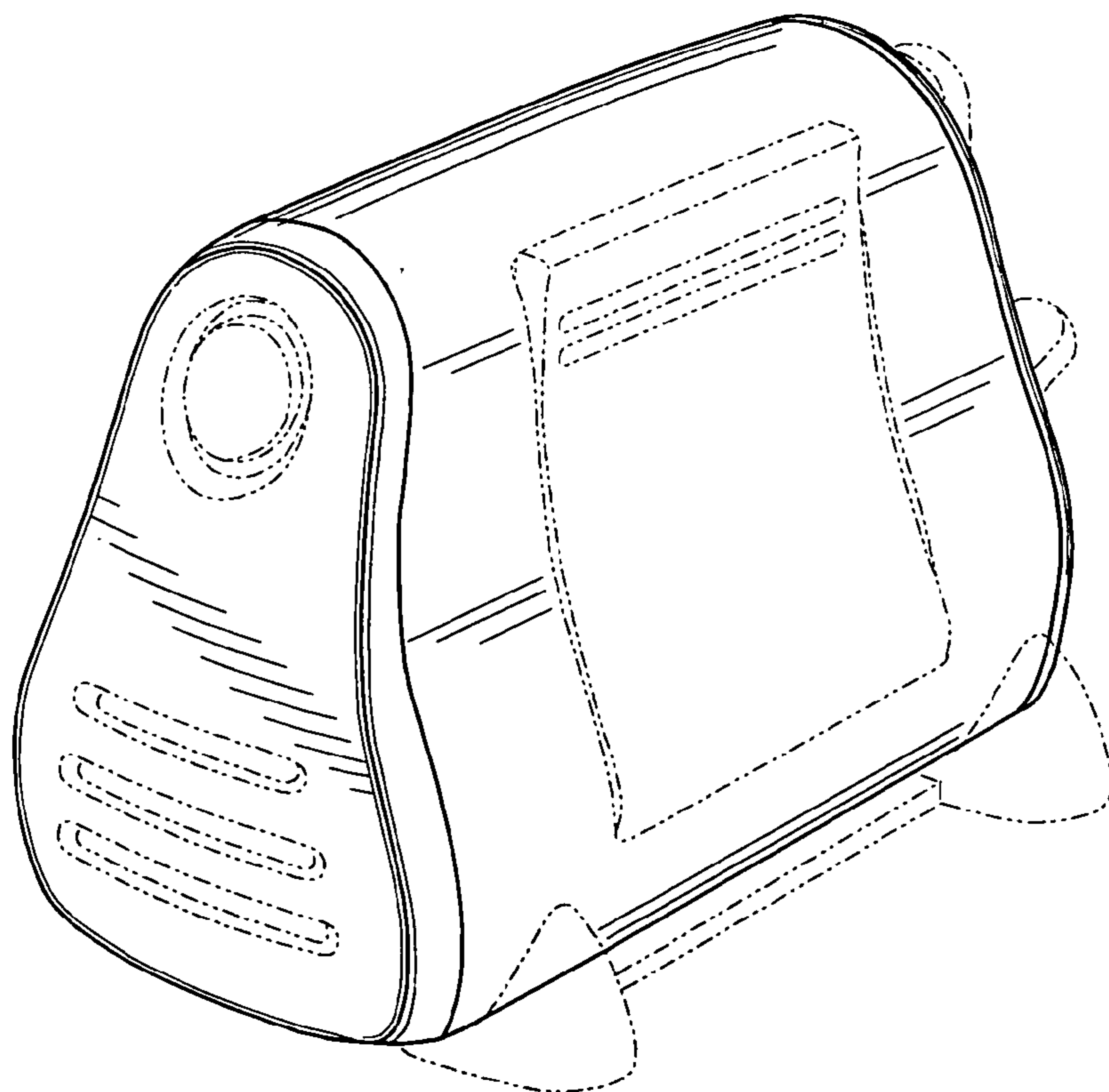
## FOREIGN PATENT DOCUMENTS

JP 2000-127095 5/2000  
WO WO 03/016035 2/2003

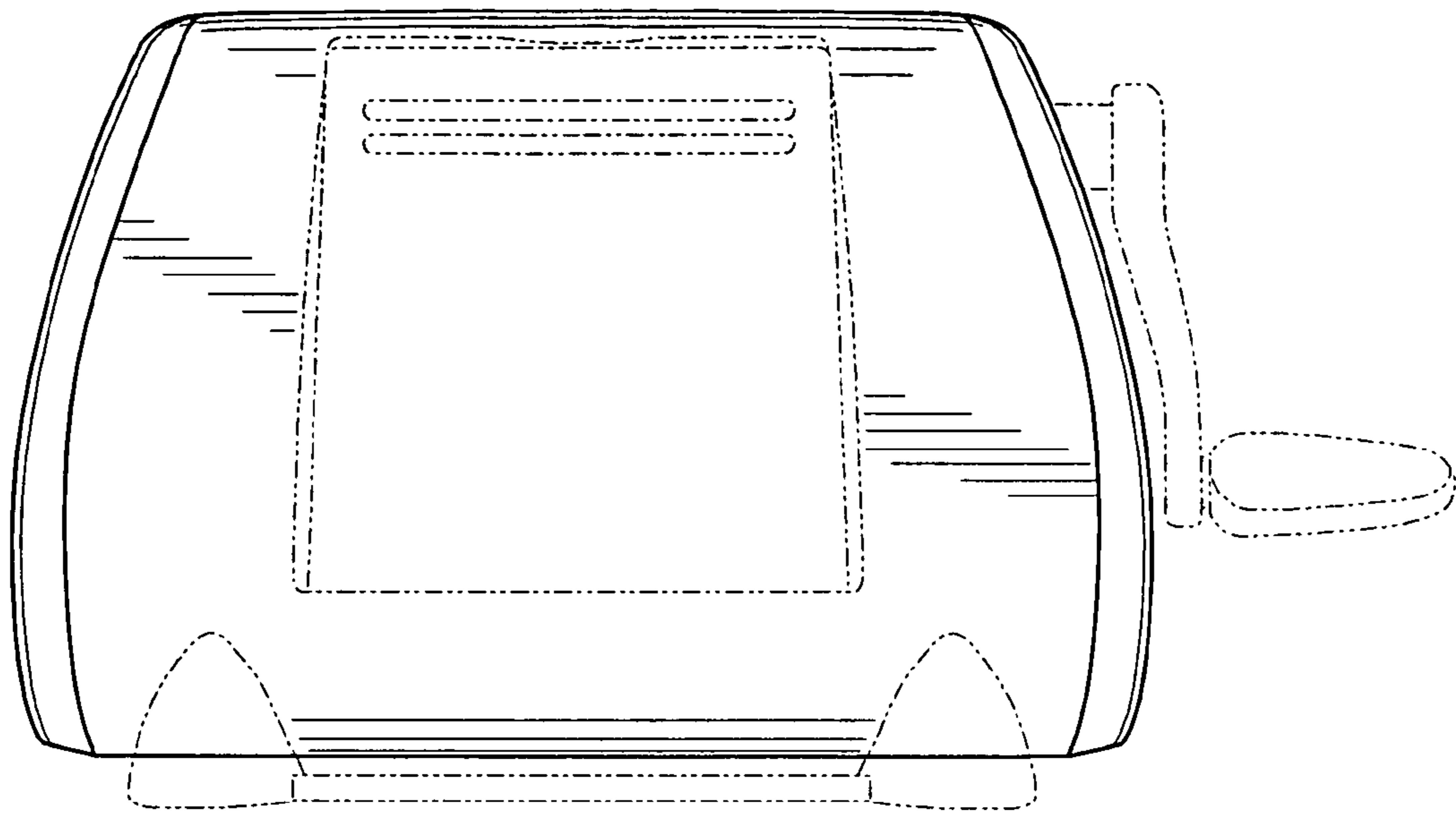
\* cited by examiner



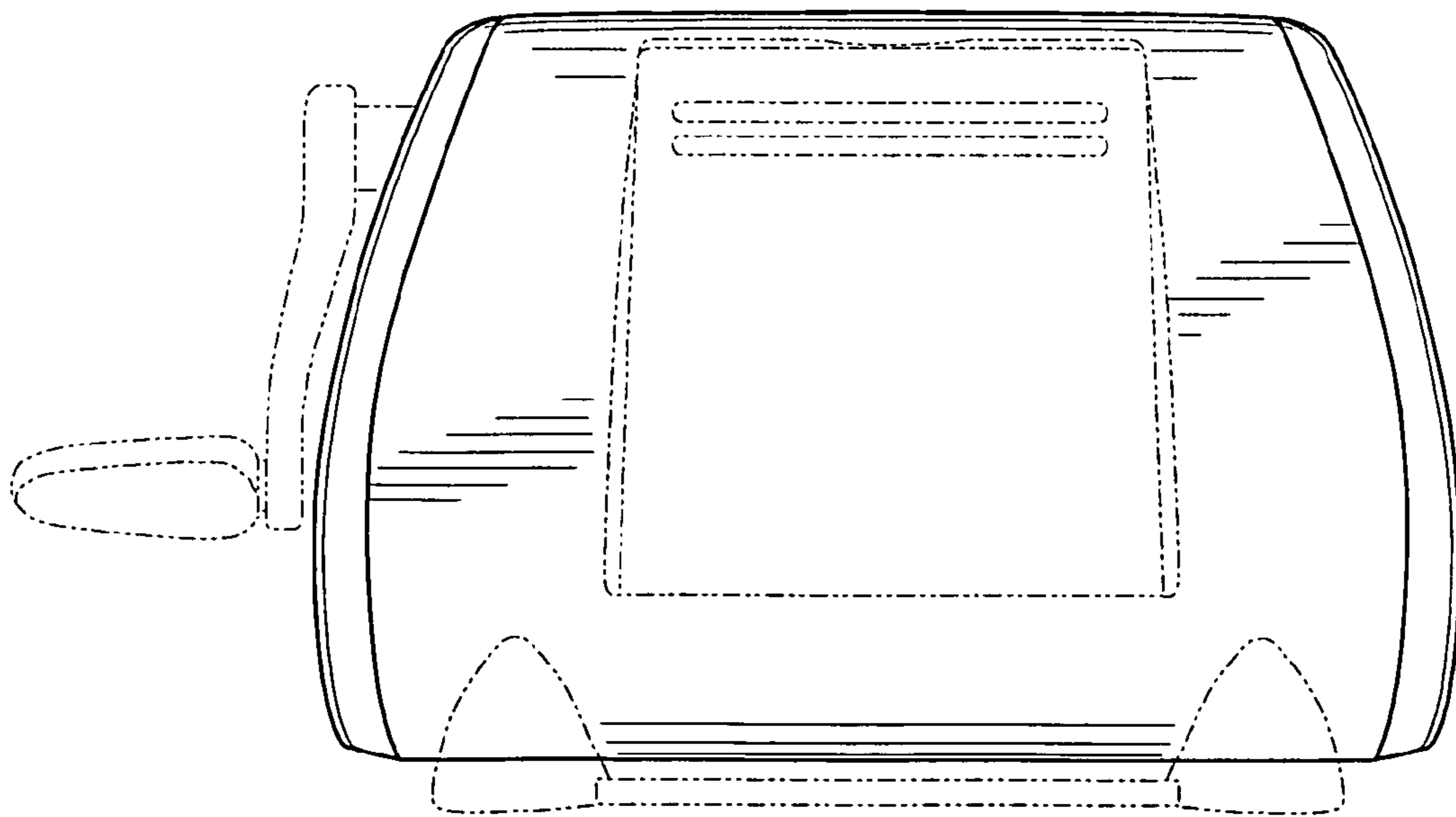
**FIG. 1**



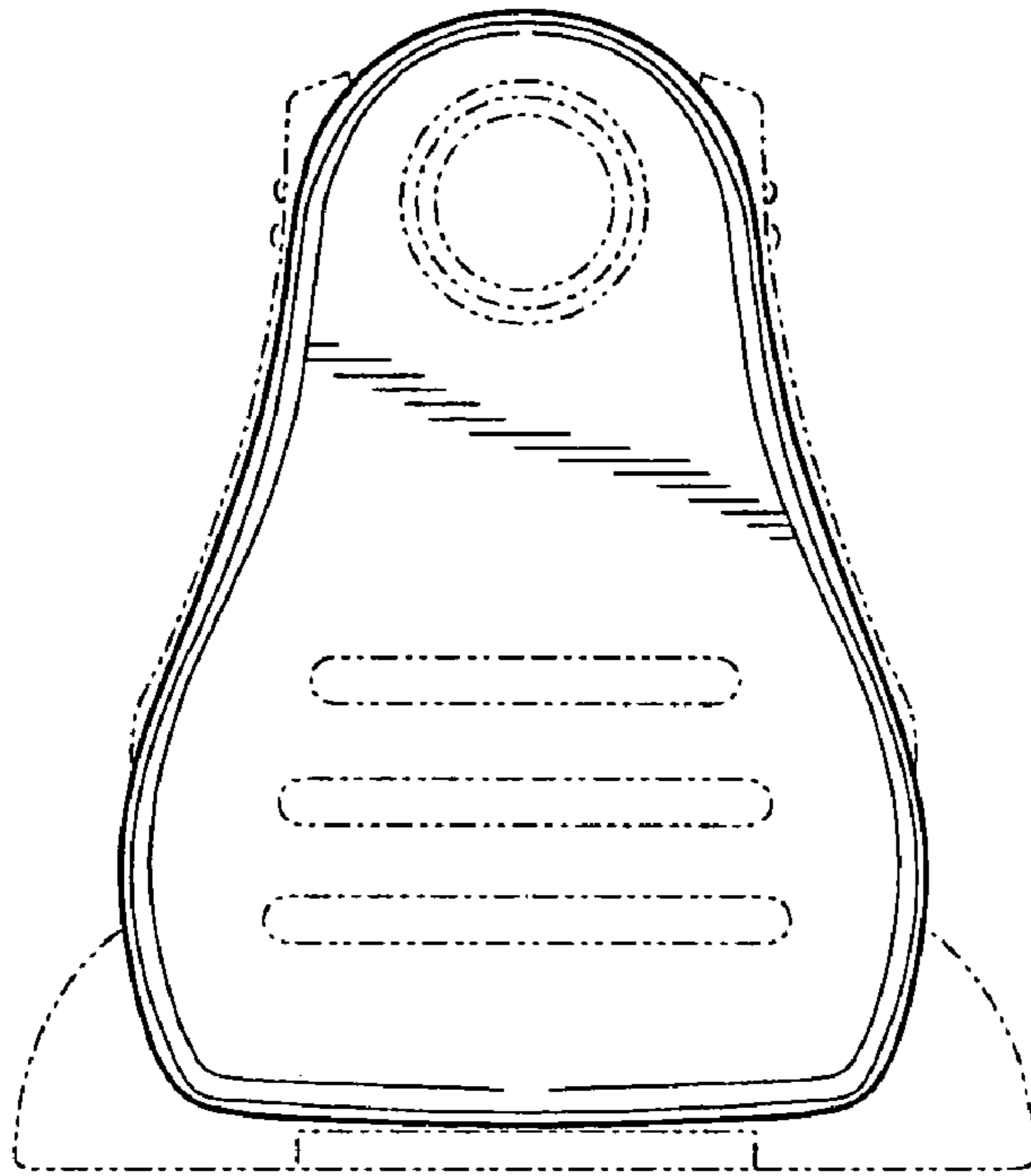
**FIG. 2**



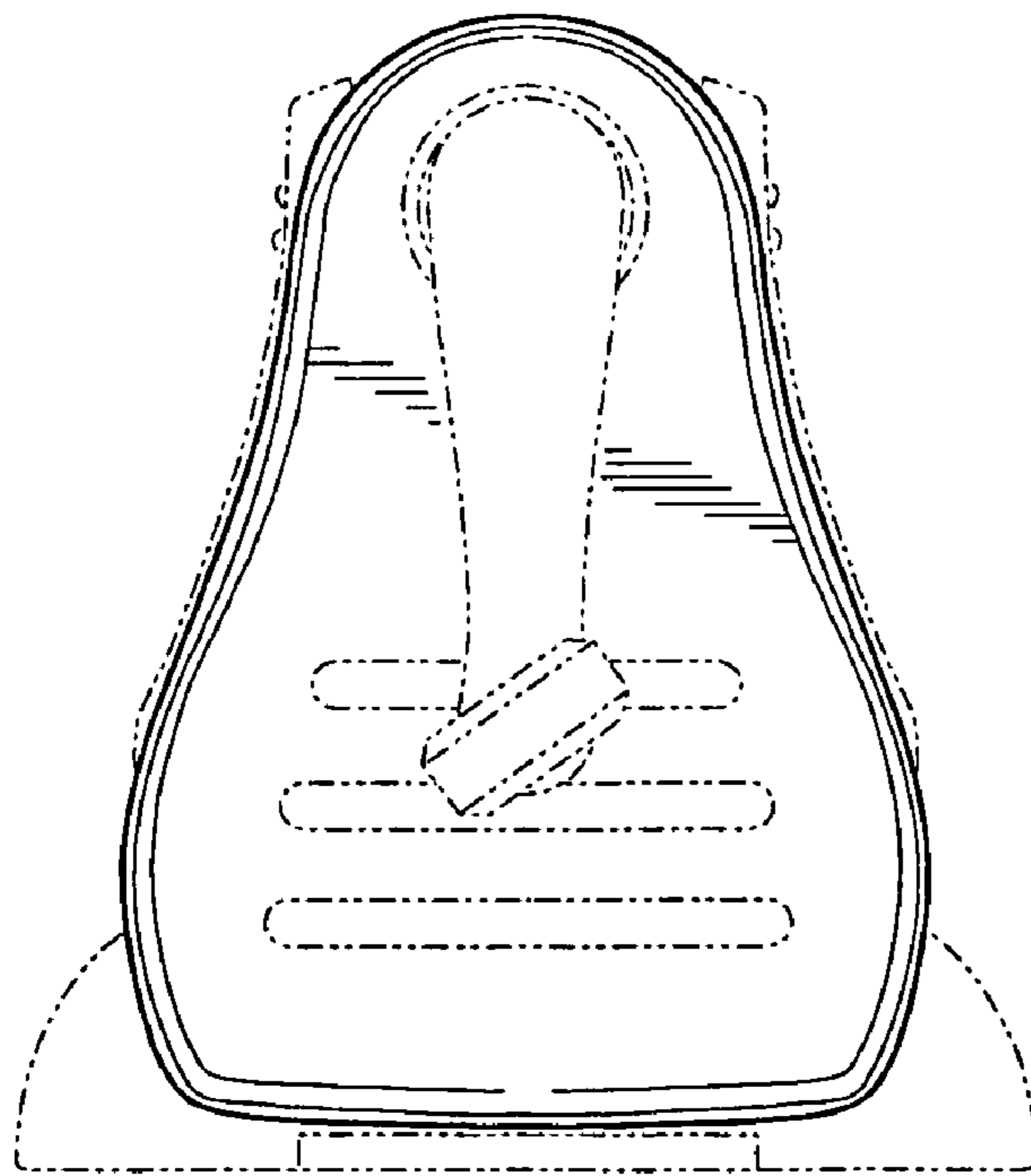
**FIG. 3**



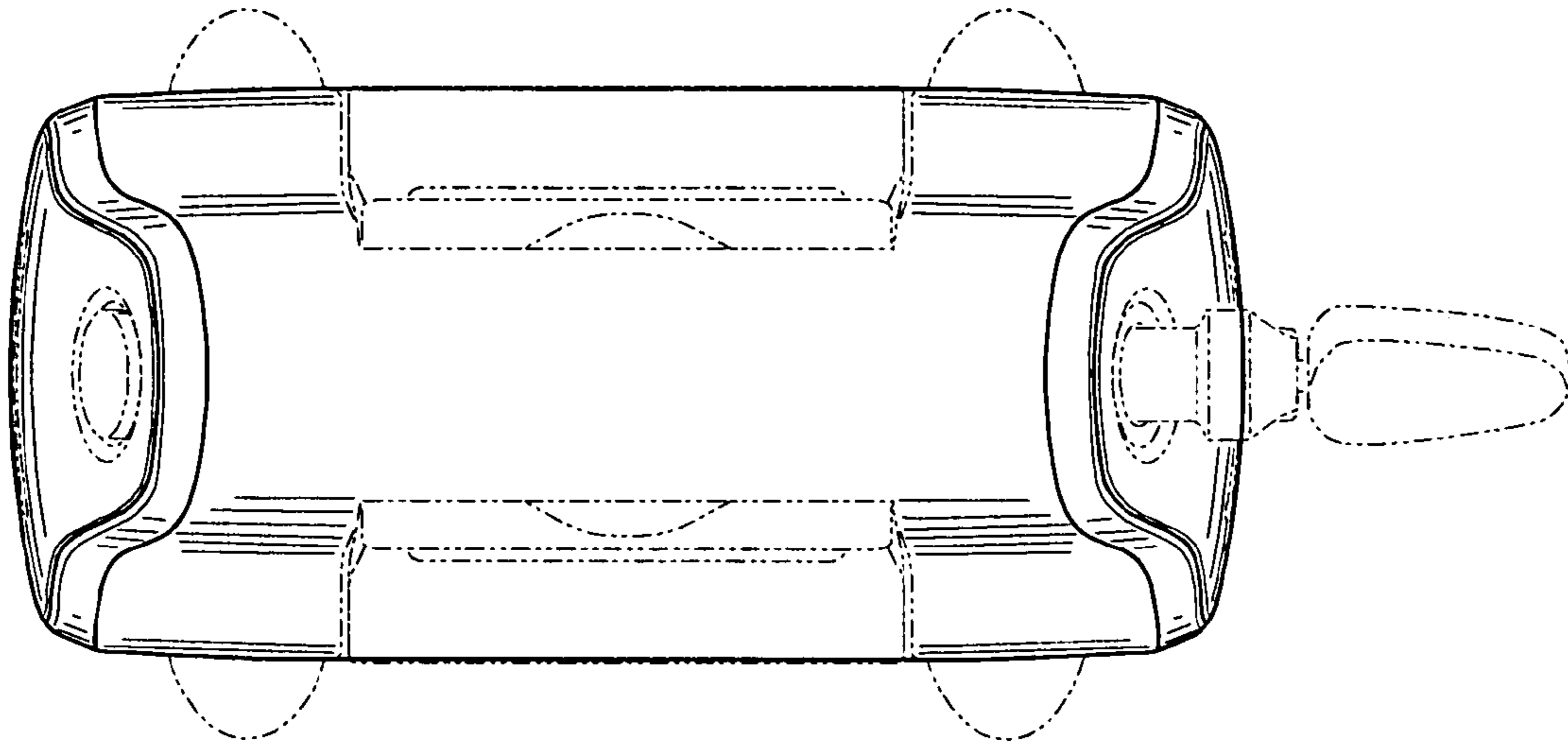
**FIG. 4**



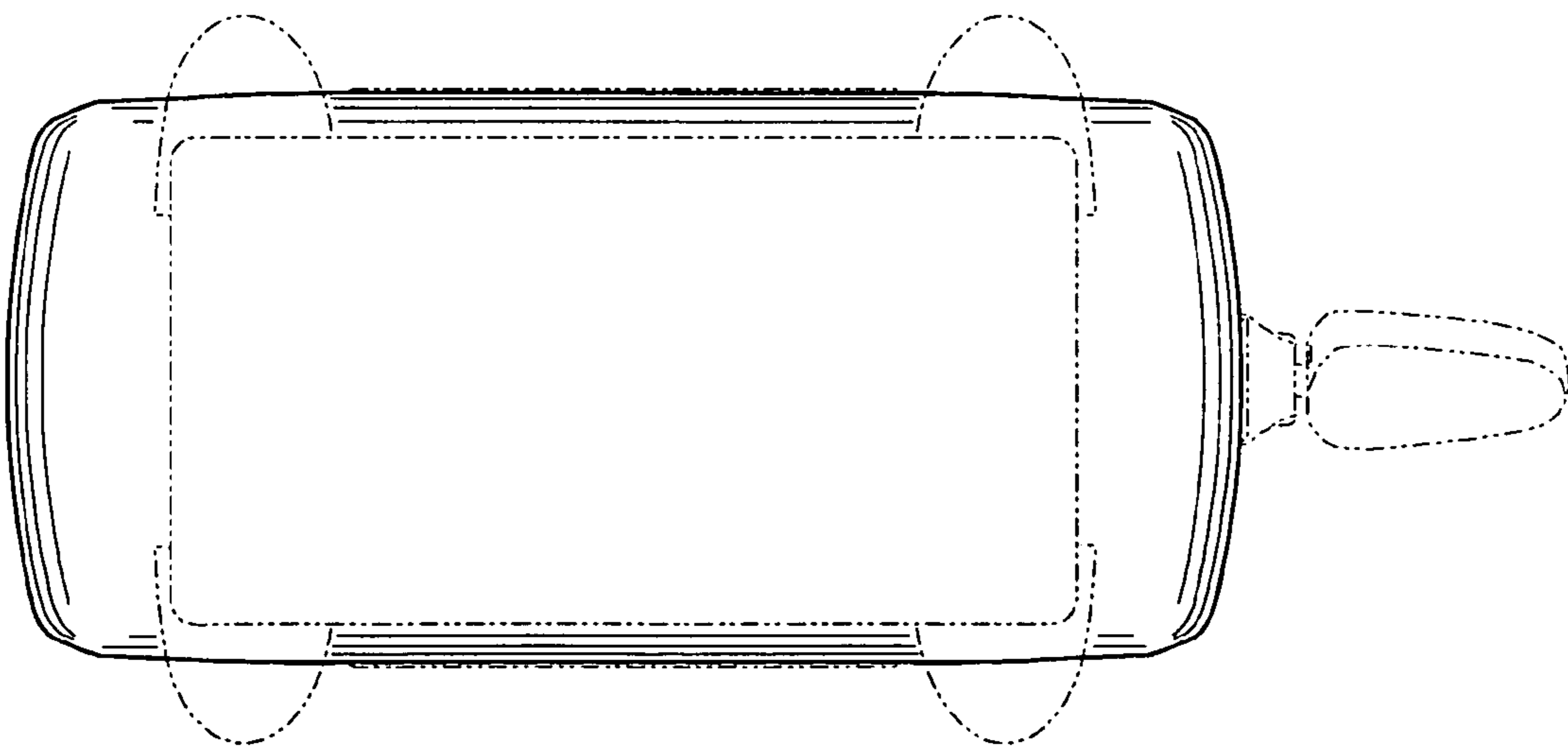
**FIG. 5**



**FIG. 6**



**FIG. 7**



**FIG. 8**