

US00D547336S

(12) **United States Design Patent**
Kai

(10) **Patent No.:** **US D547,336 S**

(45) **Date of Patent:** **** Jul. 24, 2007**

(54) **MACHINING CENTER**

(75) Inventor: **Hisahiro Kai**, Fukuyama (JP)

(73) Assignee: **Horkos Corp.**, Fukuyama (JP)

(**) Term: **14 Years**

(21) Appl. No.: **29/267,150**

(22) Filed: **Oct. 6, 2006**

(51) **LOC (8) Cl.** **15-09**

(52) **U.S. Cl.** **D15/122**

(58) **Field of Classification Search** D15/122,
D15/124, 127, 128, 130, 131; 29/26 A, 26 R,
29/30, 33 A-33 T, 34 R, 39, 50, 563-566,
29/564.1-564.8; 483/17-57

See application file for complete search history.

(56) **References Cited**

U.S. PATENT DOCUMENTS

4,196,506	A *	4/1980	Reed	483/41
5,820,536	A *	10/1998	Sato	483/38
D420,686	S *	2/2000	Kunema	D15/127
2001/0027152	A1 *	10/2001	Bolledi	483/14
2004/0121890	A1 *	6/2004	Taga et al.	483/54
2007/0000122	A1 *	1/2007	Caya et al.	29/735

* cited by examiner

Primary Examiner—Antoine D. Davis

Assistant Examiner—Patricia Palasik

(74) *Attorney, Agent, or Firm*—Merek, Blackmon & Voorhees, LLC

(57) **CLAIM**

The ornamental design for a machining center, as shown and described.

DESCRIPTION

FIG. 1 is a perspective view taken from the front, top and right side of a machining center showing the design;

FIG. 2 is a front elevation of the machining center of FIG. 1;

FIG. 3 is a top plan view of the machining center of FIG. 2;

FIG. 4 is a rear elevation of the machining center of FIG. 2;

FIG. 5 is a right side elevation of the machining center of FIG. 2;

FIG. 6 is a left side elevation of the machining center of FIG. 2; and,

FIG. 7 is a bottom plan view of the machining center of FIG. 2.

1 Claim, 7 Drawing Sheets

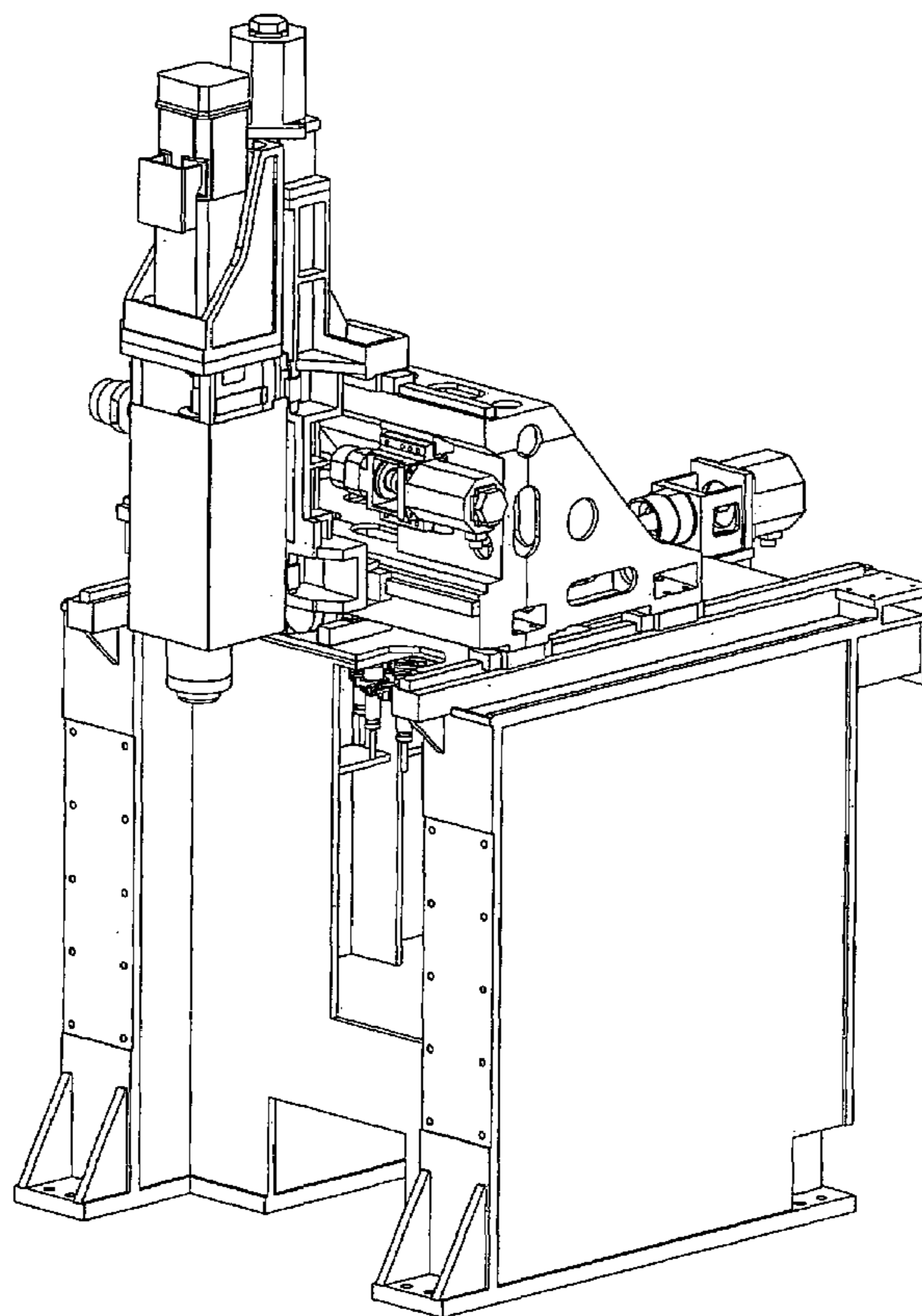


Fig. 1

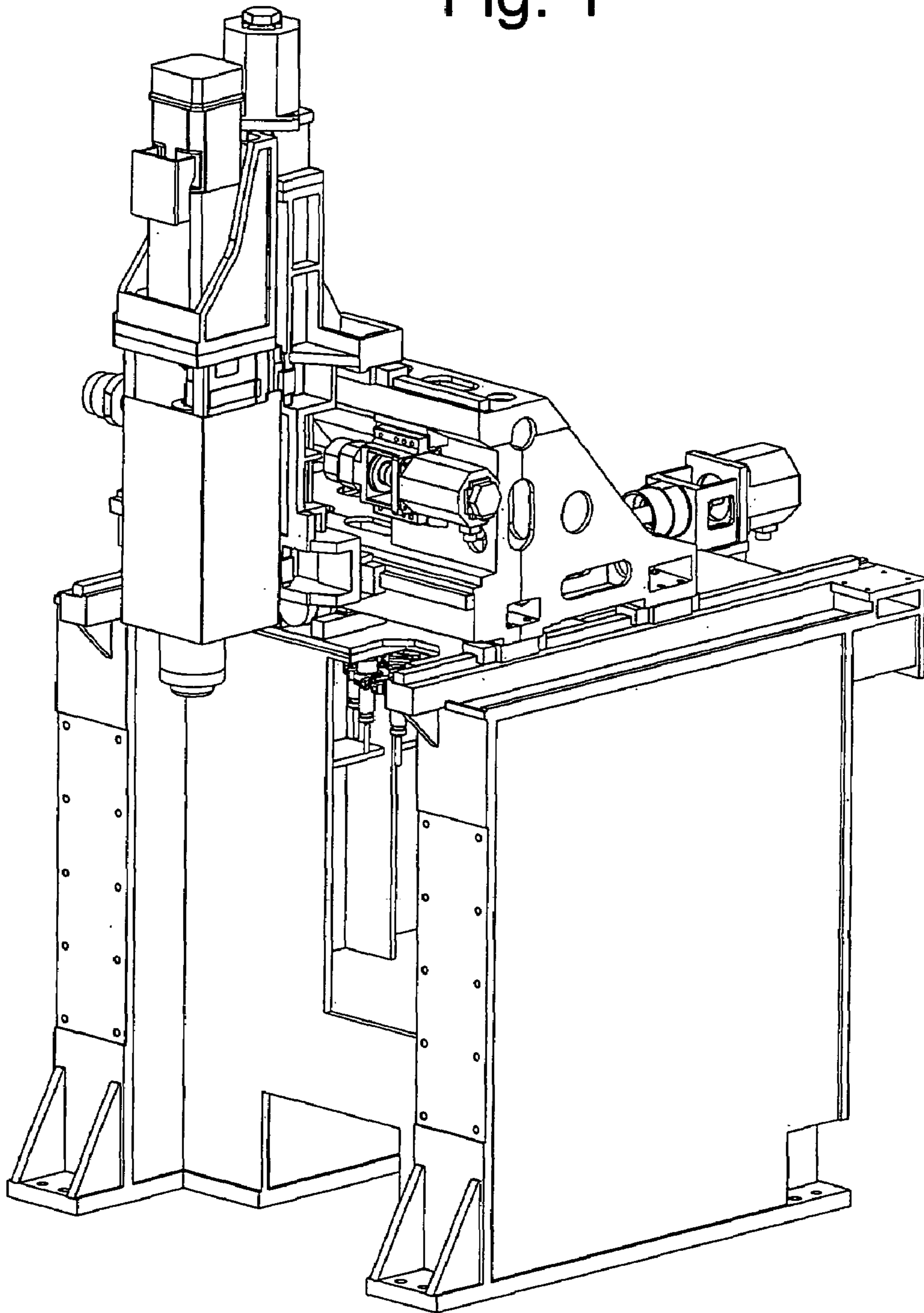


Fig. 2

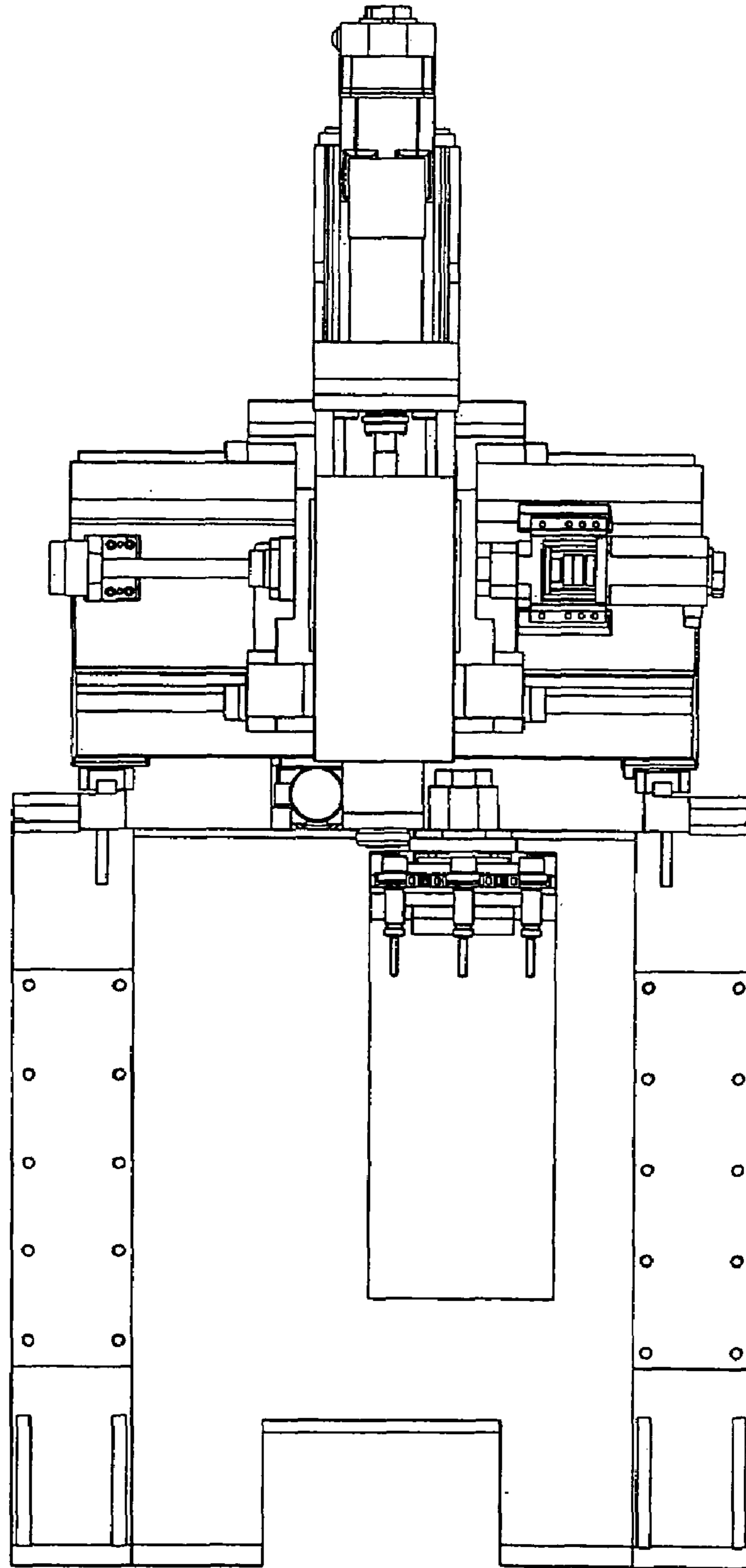


Fig. 3

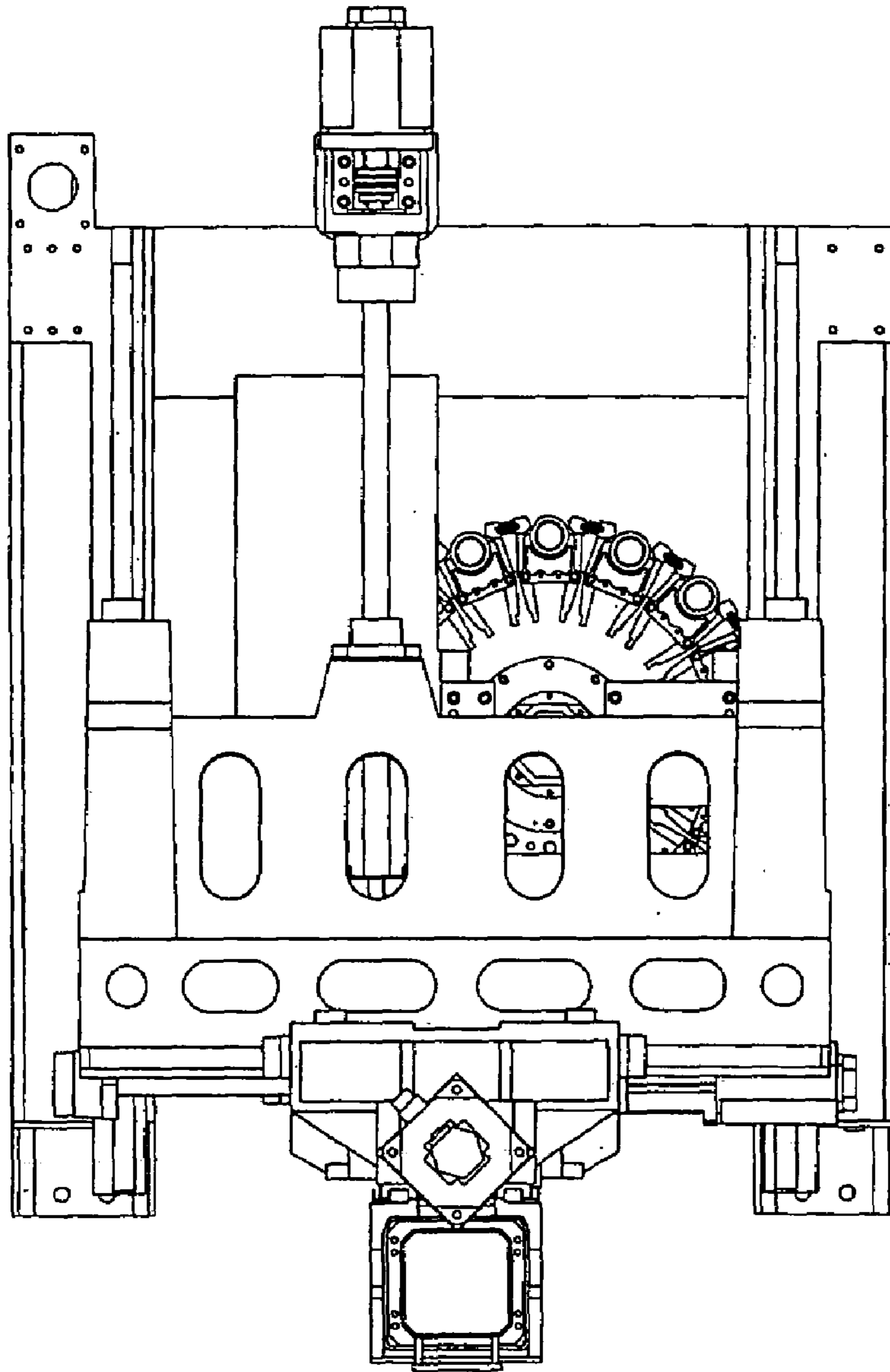


Fig. 4

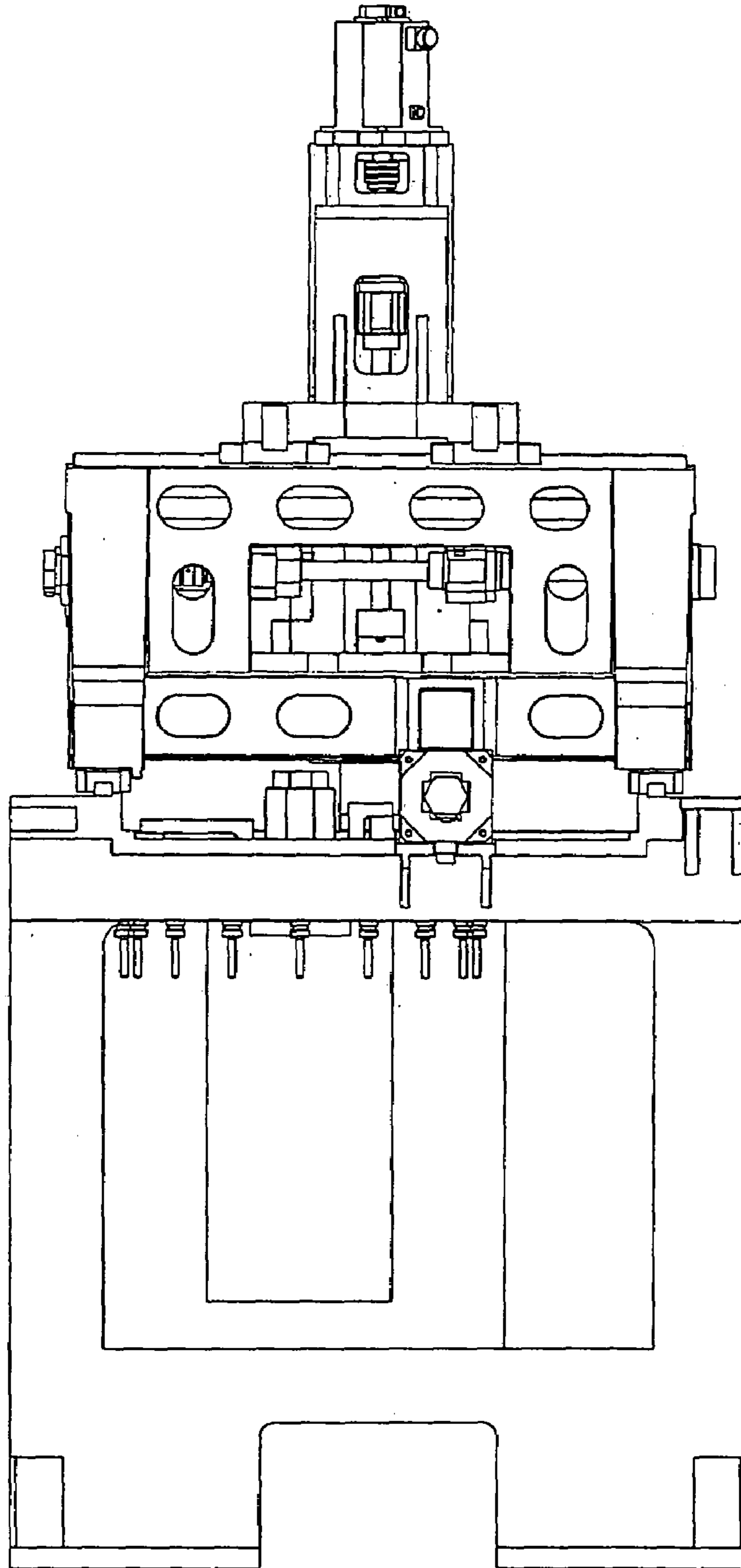


Fig. 5

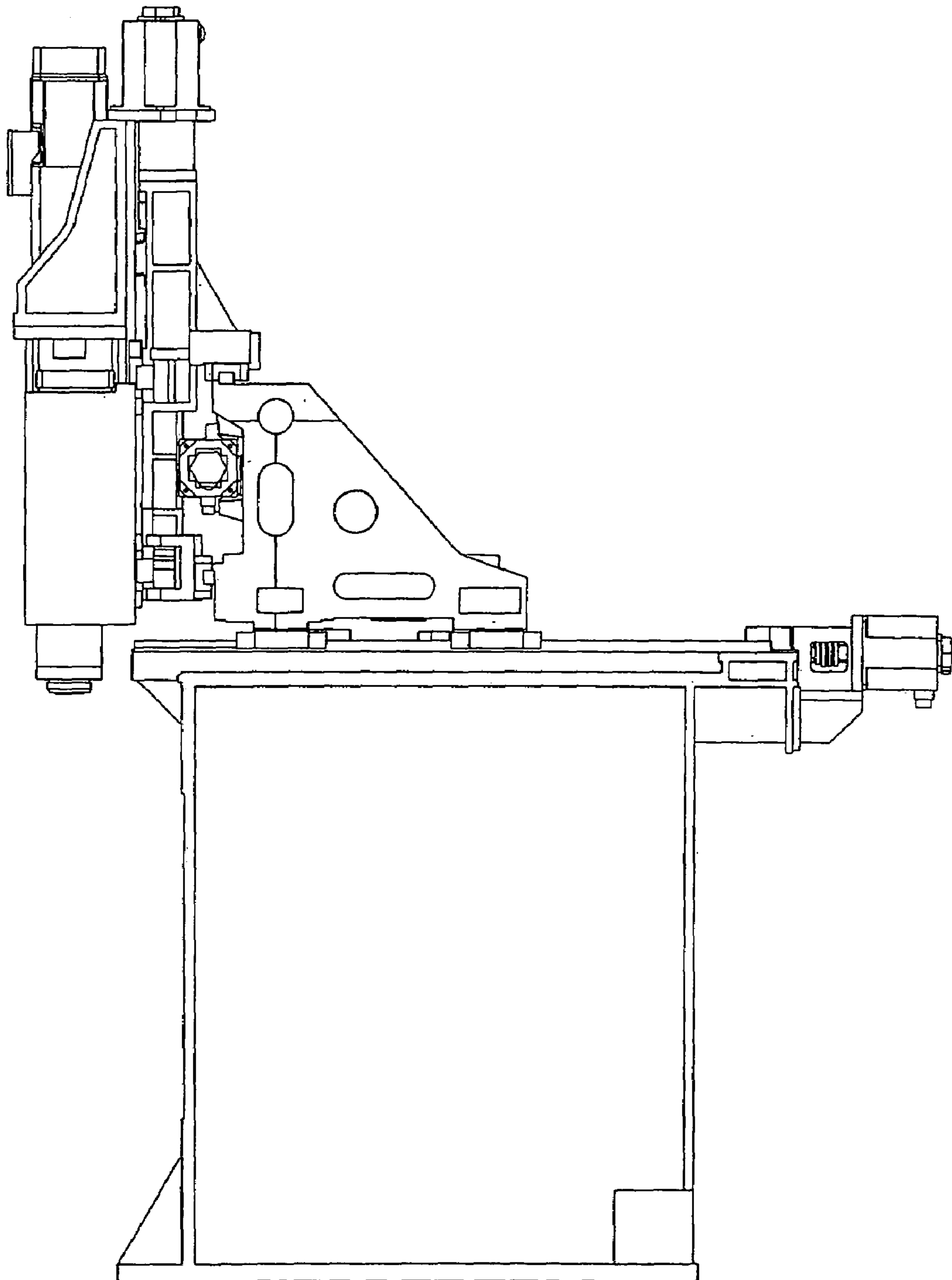


Fig. 6

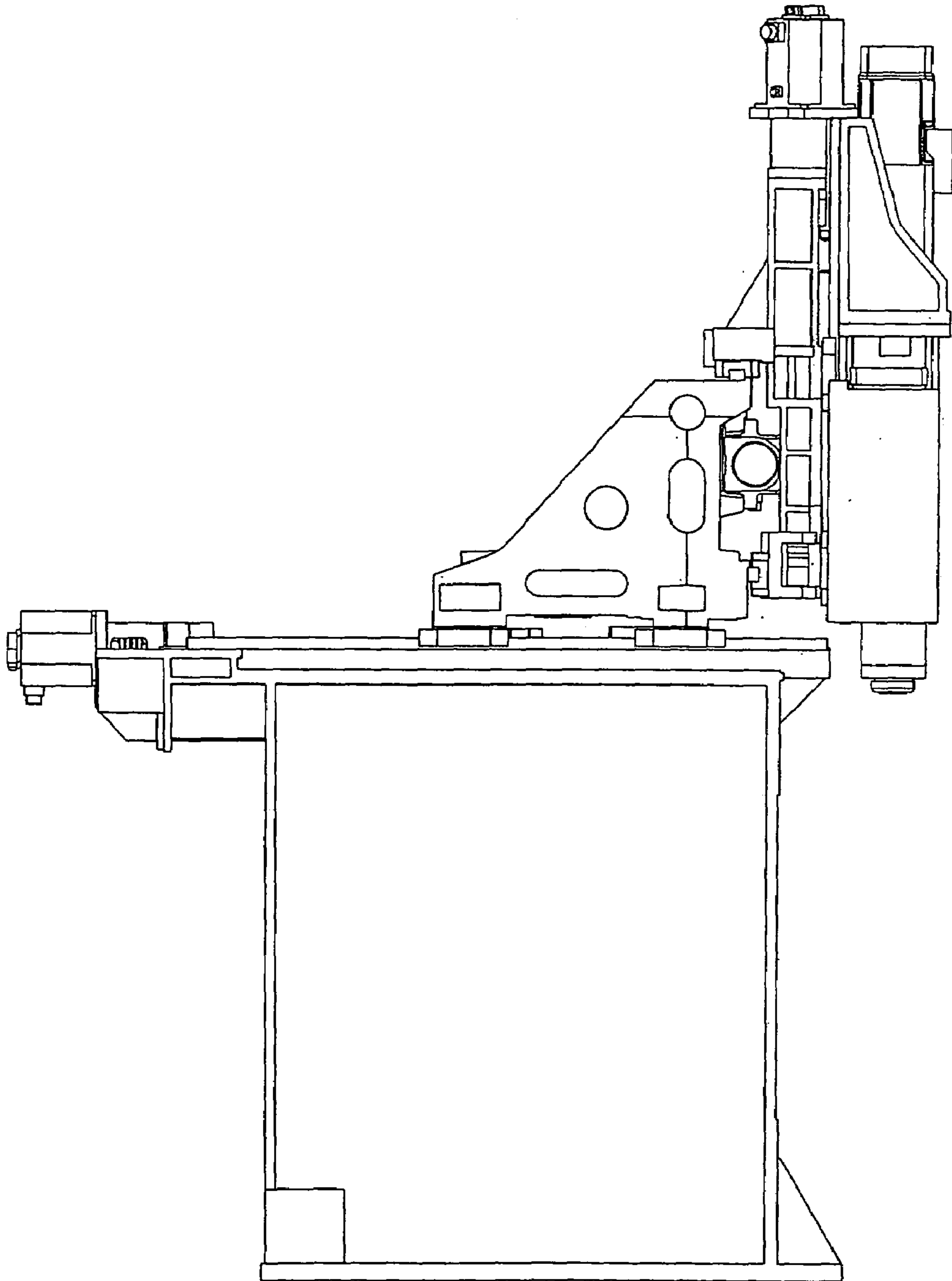


Fig. 7

