



US00D547332S

(12) **United States Design Patent**
Degelman et al.

(10) **Patent No.:** **US D547,332 S**

(45) **Date of Patent:** **** Jul. 24, 2007**

(54) **ROTARY CUTTER DECK**

D424,071 S * 5/2000 Bickford et al. D15/17
D435,564 S * 12/2000 Klasson D15/17
D445,432 S * 7/2001 Bickford D15/27

(75) Inventors: **Robert S. Degelman**, Regina (CA);
Trent M. Benko, Regina (CA); **Kelly**
L. Lucas, Regina (CA); **Victor H. M.**
Labar, Regina (CA)

* cited by examiner

Primary Examiner—Stella Reid

Assistant Examiner—Mark Goodwin

(73) Assignee: **Degelman Industries Inc.**, Regina,
Saskatchewan (CA)

(74) *Attorney, Agent, or Firm*—Davis Bujold & Daniels,
P.L.L.C.

(**) Term: **14 Years**

(57) **CLAIM**

(21) Appl. No.: **29/171,444**

The ornamental design for a rotary cutter deck, as shown and
described.

(22) Filed: **Nov. 21, 2002**

(51) **LOC (8) Cl.** **15-03**

DESCRIPTION

(52) **U.S. Cl.** **D15/17; D15/27**

(58) **Field of Classification Search** D15/10,
D15/11, 14–17, 26–28; 56/6, 13.3, 13.4,
56/15.8, 16.7, 17.1, 202, 255, 320.2, DIG. 14,
56/320.1, 15.6, 15.2

See application file for complete search history.

FIG. 1 is a front perspective view of the rotary cutter deck
showing our new design;

FIG. 2 is a rear perspective view of the rotary cutter deck;

FIG. 3 is a top plan view of the rotary cutter deck;

FIG. 4 is a bottom plan view of the rotary cutter deck;

FIG. 5 is a front elevational view of the rotary cutter deck;

FIG. 6 is a rear elevational view of the rotary cutter deck;

FIG. 7 is a left side elevation view of the rotary cutter deck;

FIG. 8 is a right side elevational view of the rotary cutter
deck; and,

FIG. 9 is a rear perspective view of a second embodiment of
the rotary cutter deck showing our new design.

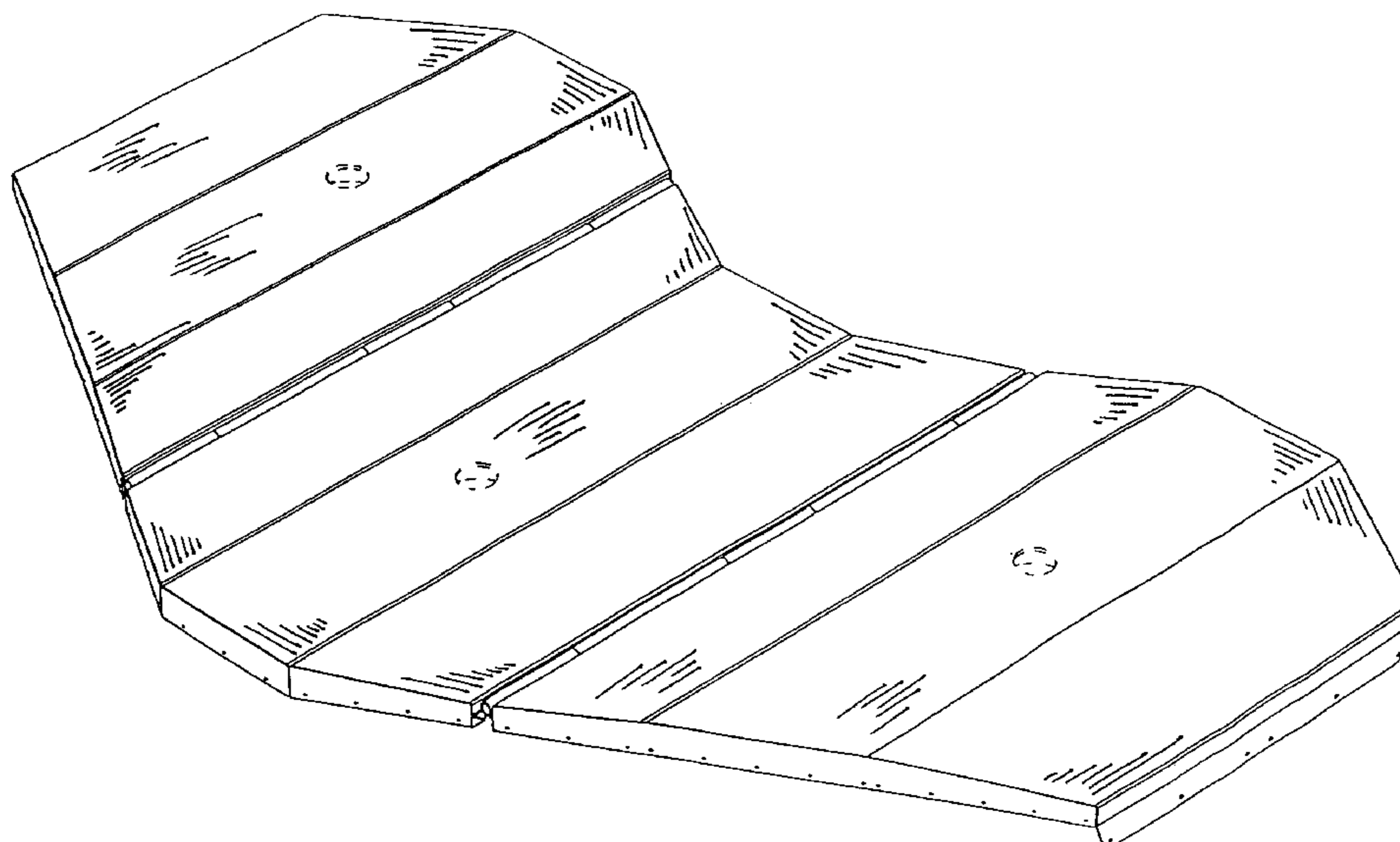
The broken line showing of the three circular openings in
FIGS. 1–4 and three circular openings with wheel supports
and a tractor hitch in FIG. 9 is included for the purpose of
illustrating portions of the rotary cutter deck and forms no
part of the claimed design.

(56) **References Cited**

U.S. PATENT DOCUMENTS

| | | | | |
|-----------|-----|---------|----------------------|----------|
| 3,267,652 | A * | 8/1966 | Dahlgren et al. | 56/6 |
| D208,364 | S * | 8/1967 | Koss | D15/27 |
| 3,400,521 | A * | 9/1968 | Caldwell | 56/6 |
| 3,736,735 | A * | 6/1973 | Kulak et al. | 56/13.6 |
| D271,398 | S * | 11/1983 | McCanse et al. | D15/27 |
| 4,442,658 | A * | 4/1984 | Cartner | 56/11.9 |
| 4,912,915 | A * | 4/1990 | Smit | 56/6 |
| D316,101 | S * | 4/1991 | McCanse et al. | D15/27 |
| 5,005,344 | A * | 4/1991 | McCracken | 56/14.7 |
| 5,113,640 | A * | 5/1992 | Colistro | 56/6 |
| D344,738 | S * | 3/1994 | Young | D15/27 |
| D345,168 | S * | 3/1994 | Cook et al. | D15/27 |
| 5,343,683 | A * | 9/1994 | Friesen | 56/320.1 |
| 6,052,980 | A * | 4/2000 | Friesen | 56/320.1 |

1 Claim, 9 Drawing Sheets



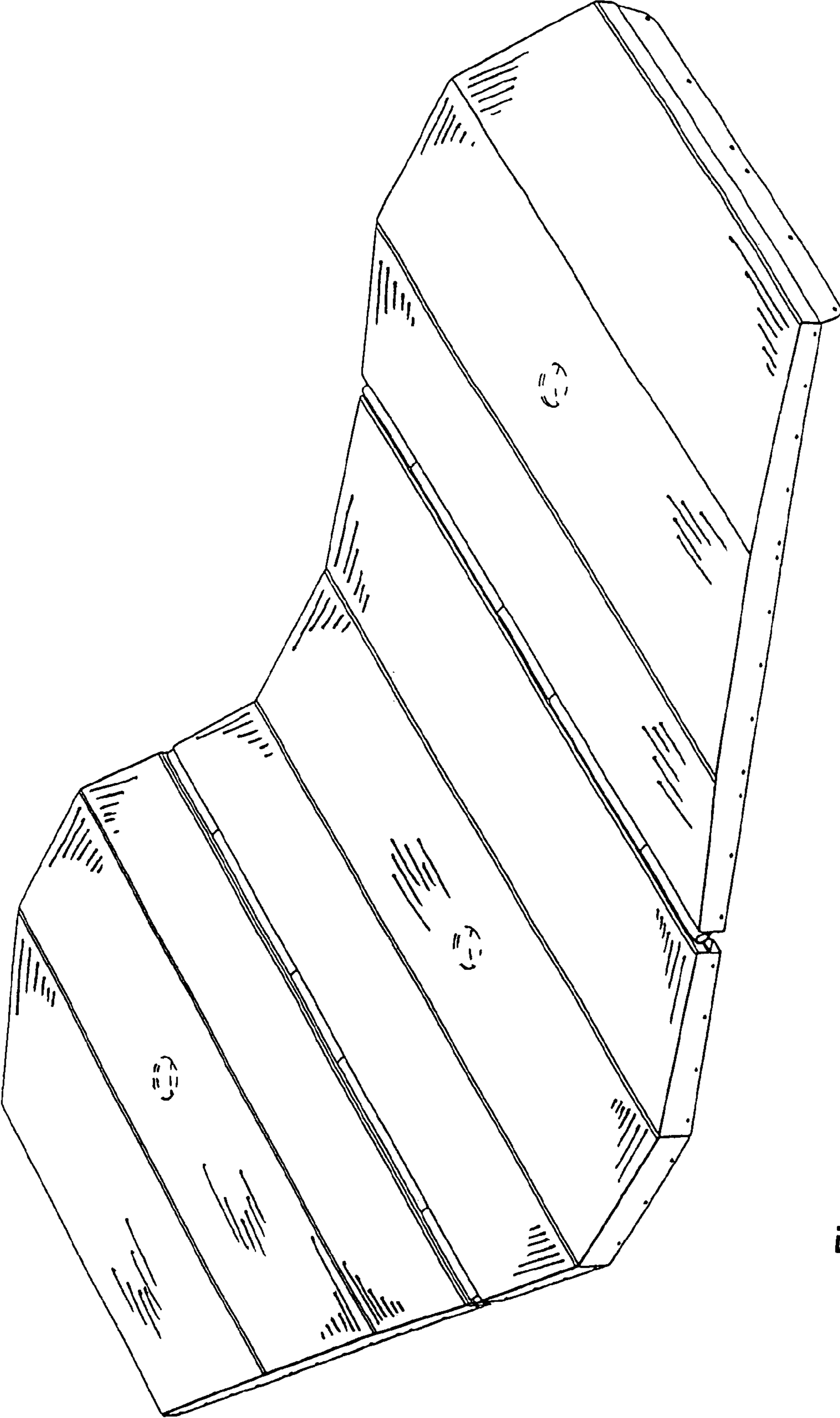


Fig. 1

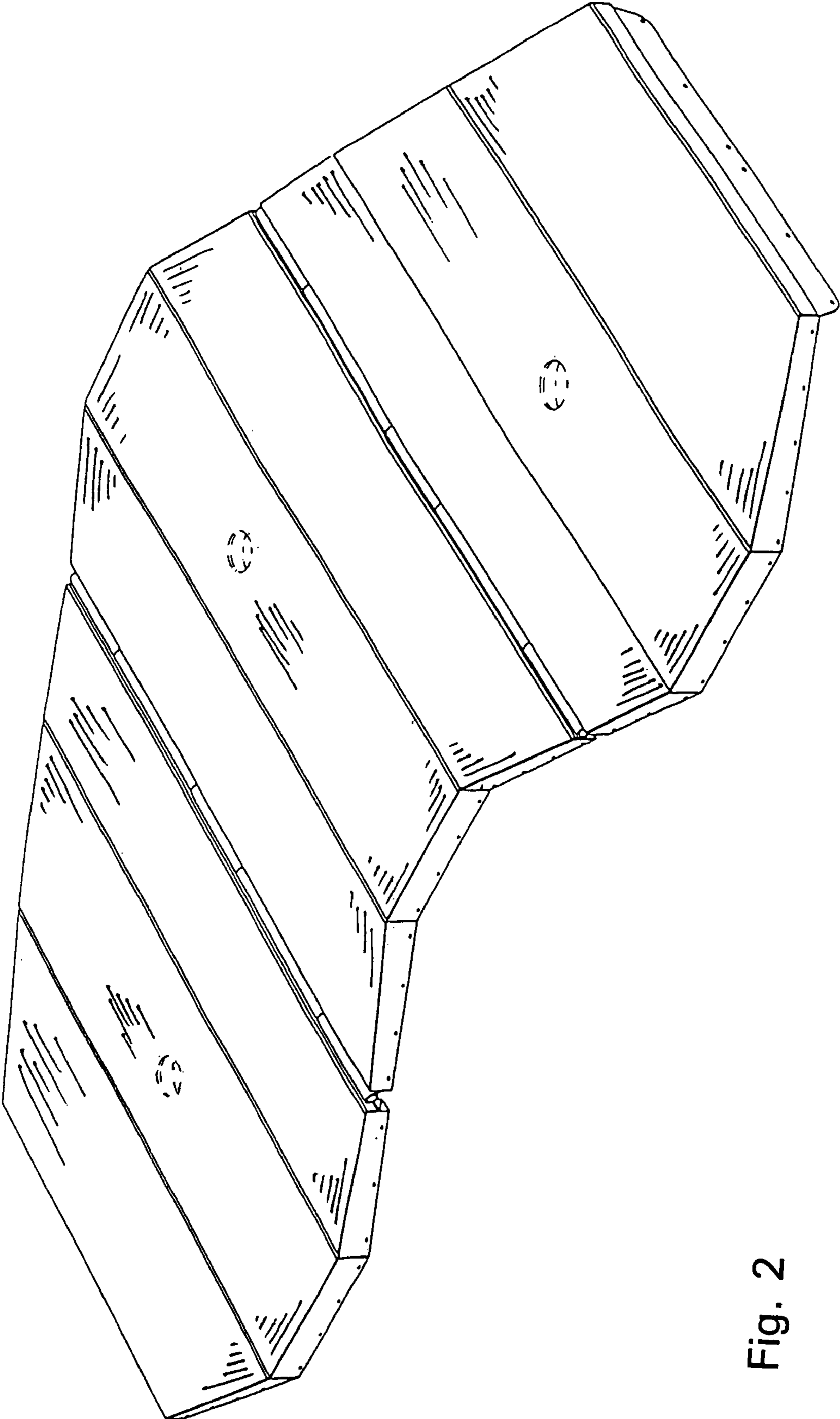


Fig. 2

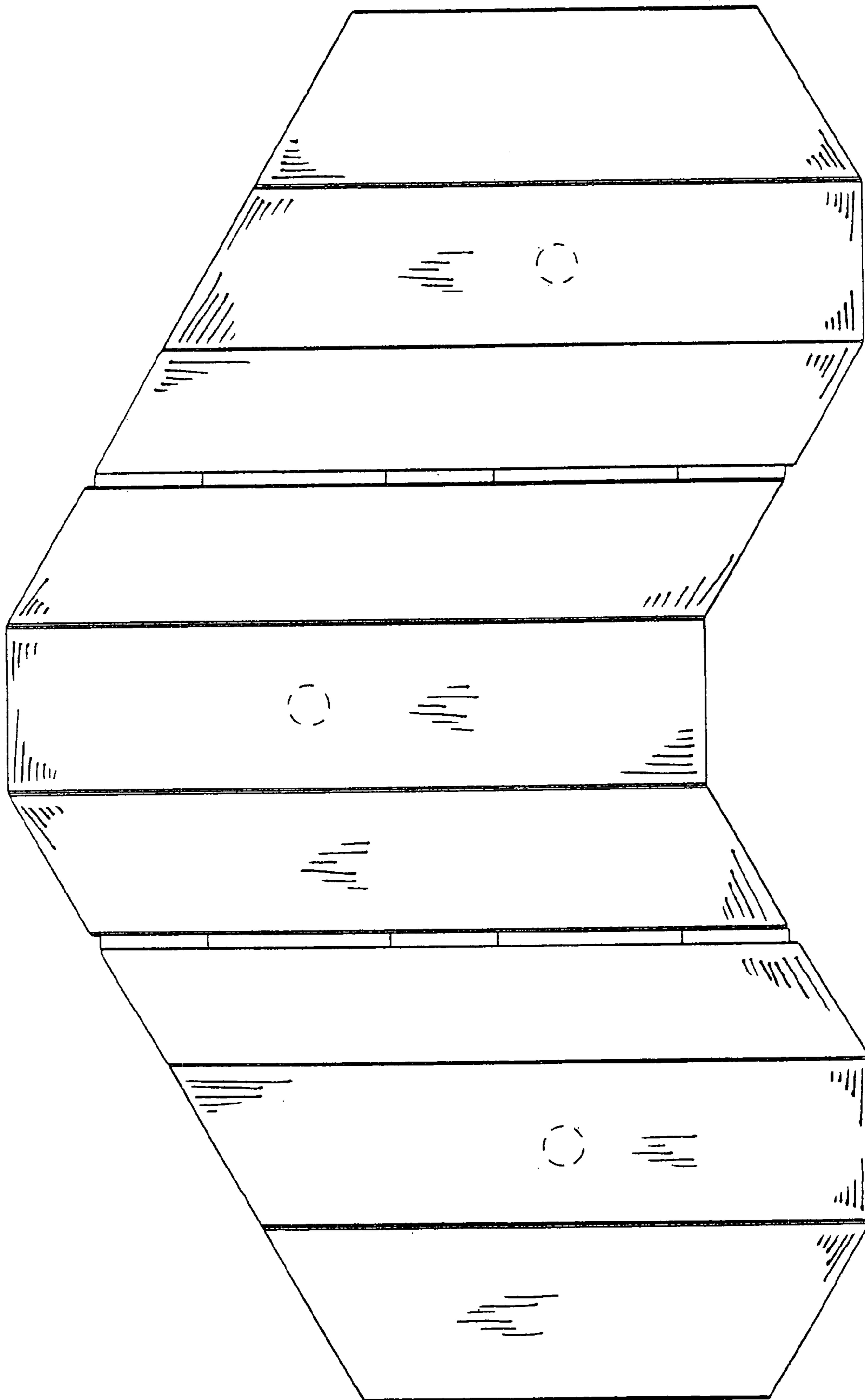


Fig. 3

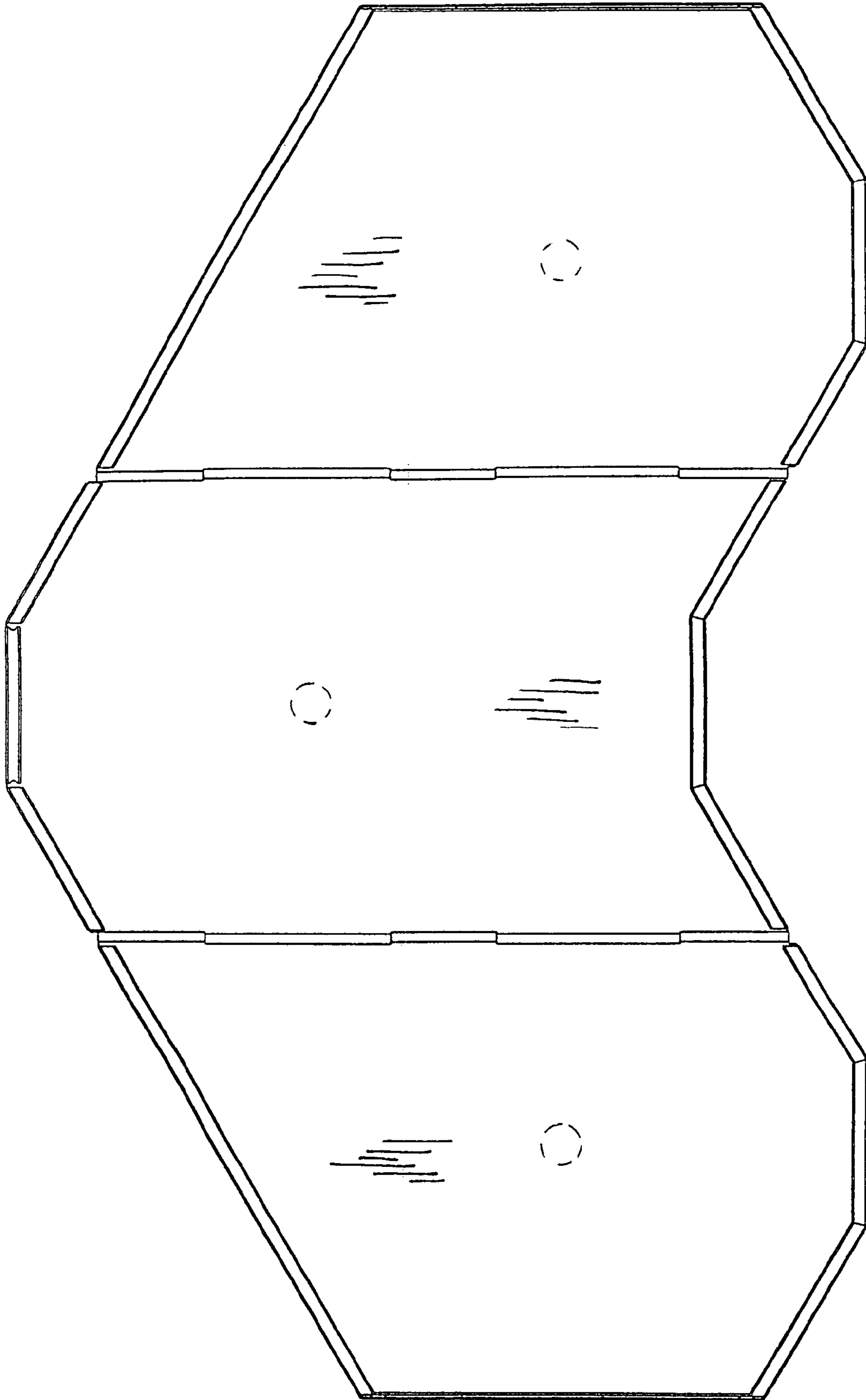


Fig. 4

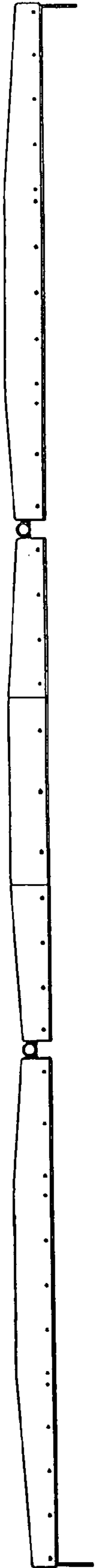


Fig. 5

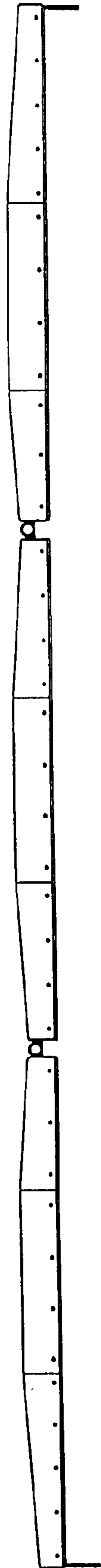


Fig. 6

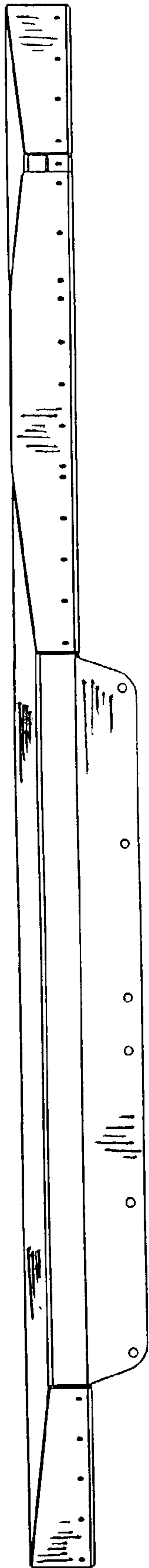


Fig. 7

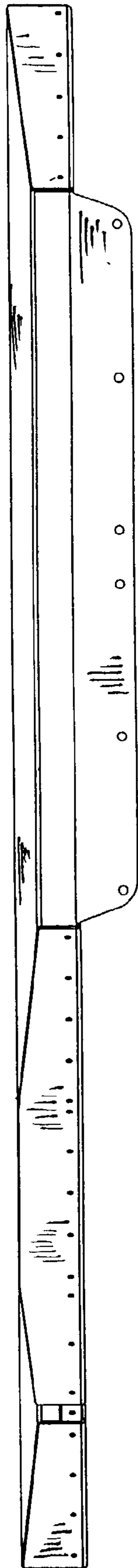


Fig. 8

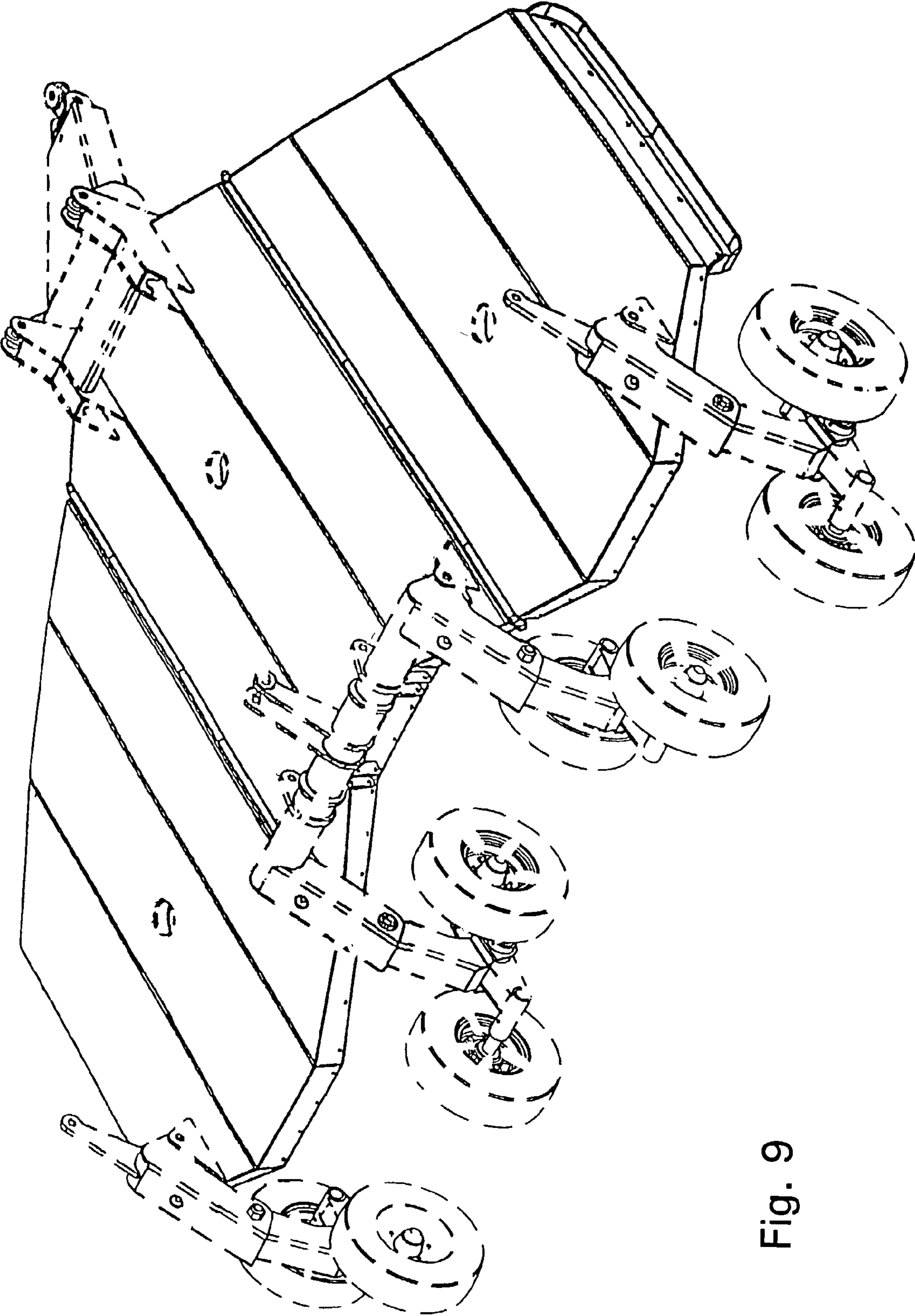


Fig. 9