

US00D547326S

(12) **United States Design Patent**
Ho et al.

(10) **Patent No.:** **US D547,326 S**

(45) **Date of Patent:** **** Jul. 24, 2007**

(54) **MEDIA CENTER**

D435,840 S * 1/2001 Ishibashi et al. D14/168
D475,362 S * 6/2003 Suzuki D14/168

(75) Inventors: **Sai Hung Ho**, Hong Kong (HK); **Wing Sze Cheung**, Hong Kong (HK); **Jack Lau**, Hong Kong (HK)

* cited by examiner

Primary Examiner—Nanda Bondade

(73) Assignee: **Perception Digital Limited**, Clear Water Bay, Kowloon (HK)

(74) *Attorney, Agent, or Firm*—Leydig, Voit & Mayer, Ltd.

(**) Term: **14 Years**

(57) **CLAIM**

(21) Appl. No.: **29/238,979**

The ornamental design for media center, as shown and described

(22) Filed: **Sep. 26, 2005**

DESCRIPTION

(51) **LOC (8) Cl.** **14-01**

FIG. 1 is a front perspective view of a media center shown our design;

(52) **U.S. Cl.** **D14/496**

FIG. 2 is a rear perspective view thereof;

(58) **Field of Classification Search** D14/135–136, D14/156–157, 160–165, 167–168, 192–198, D14/496, 258, 445; 360/99.02, 99.07; 369/75.11, 369/75.21, 77.21, 77.11; 720/612, 619, 647, 720/655; 455/344, 347–351

FIG. 3 is a top plan view thereof;

FIG. 4 is a bottom plan view thereof;

FIG. 5 is a front view thereof;

FIG. 6 is a rear view thereof;

FIG. 7 is a left side view thereof; and,

FIG. 8 is a right side view thereof.

See application file for complete search history.

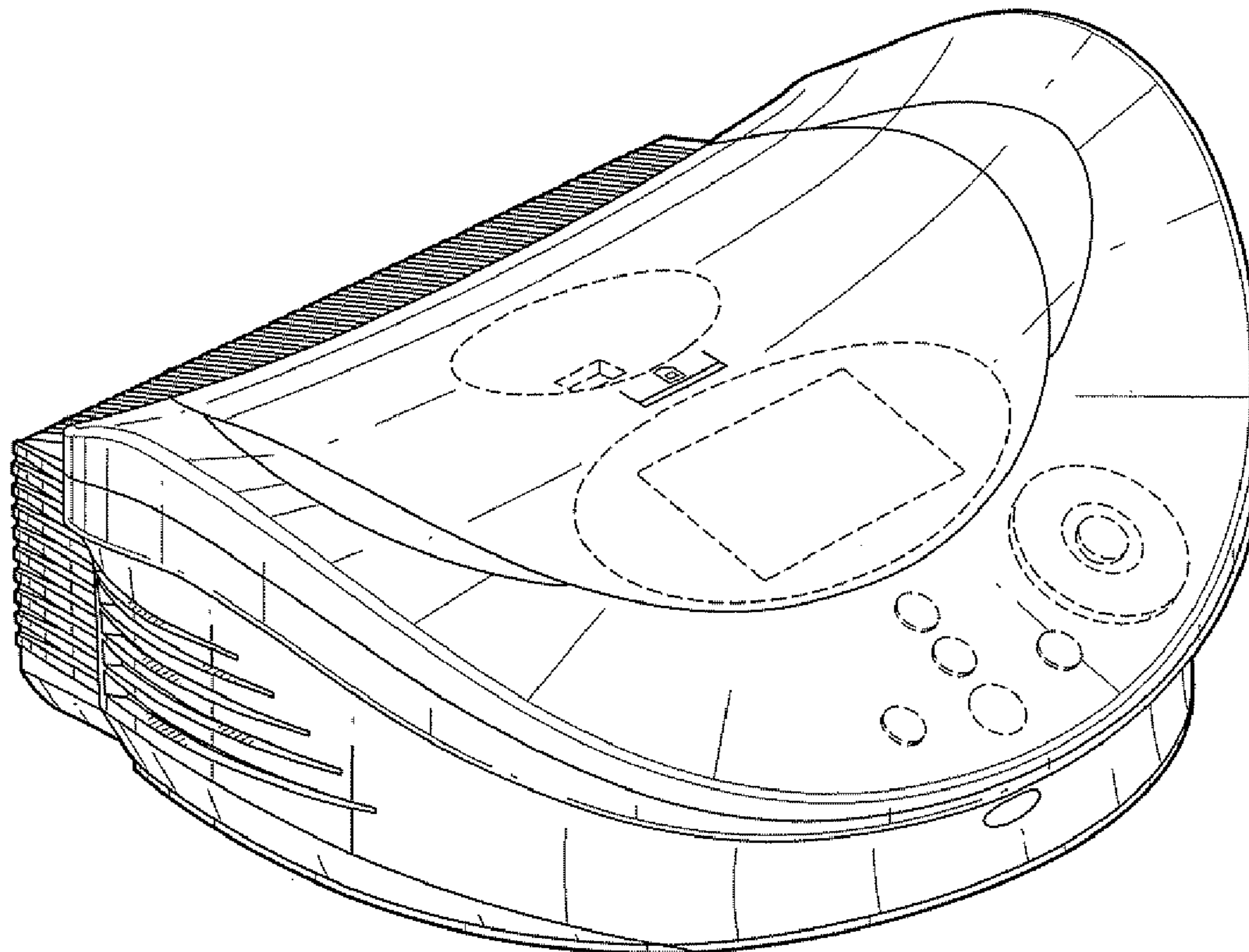
The broken line showing on the drawing disclosure is for the purpose of illustration only and forms no part of the claimed design.

(56) **References Cited**

U.S. PATENT DOCUMENTS

D349,496 S * 8/1994 Sato D14/156
D416,897 S * 11/1999 Ishii et al. D14/156
D421,001 S * 2/2000 Miyashita D14/496
D425,889 S * 5/2000 Yuyama D14/156

1 Claim, 4 Drawing Sheets



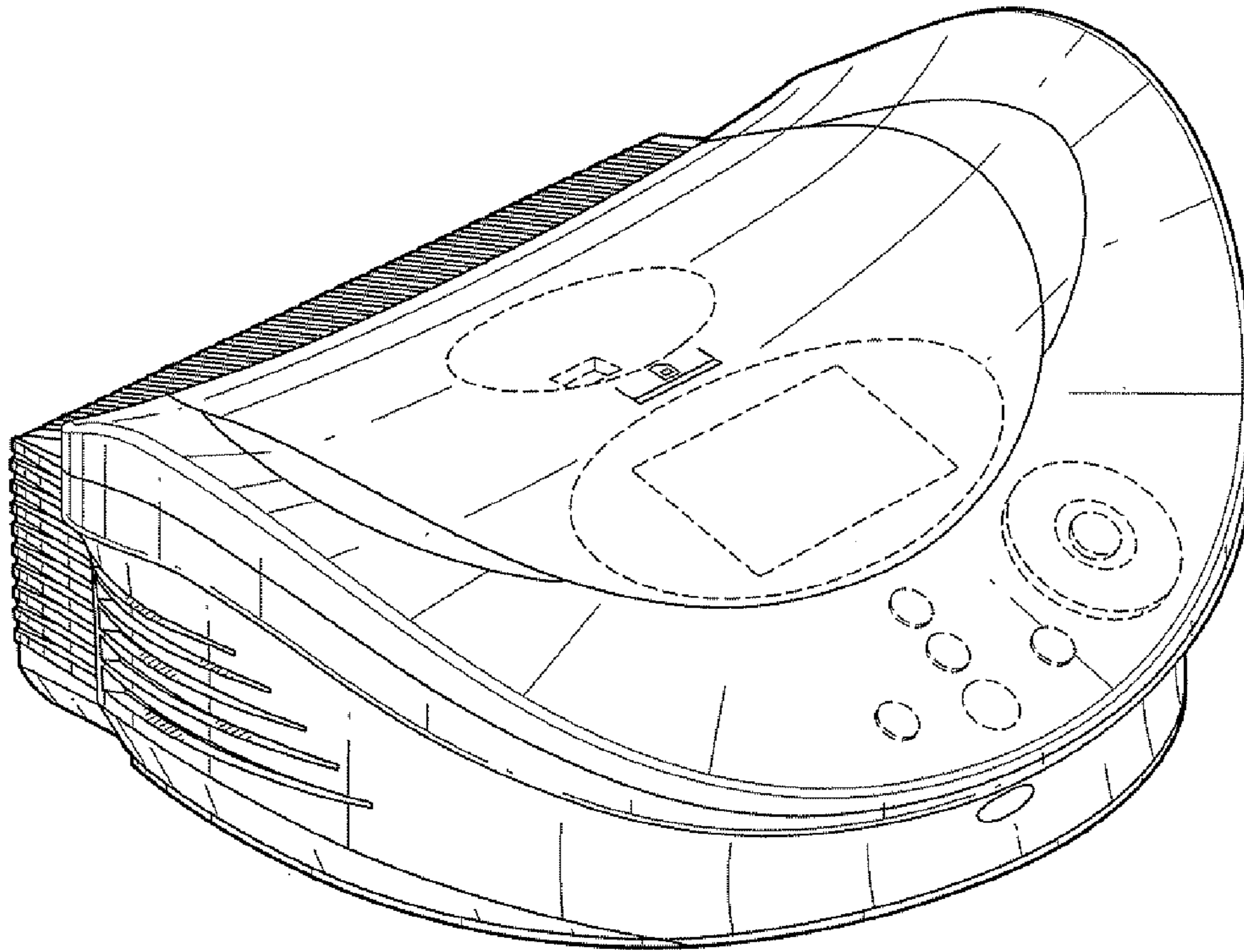


FIG. 1

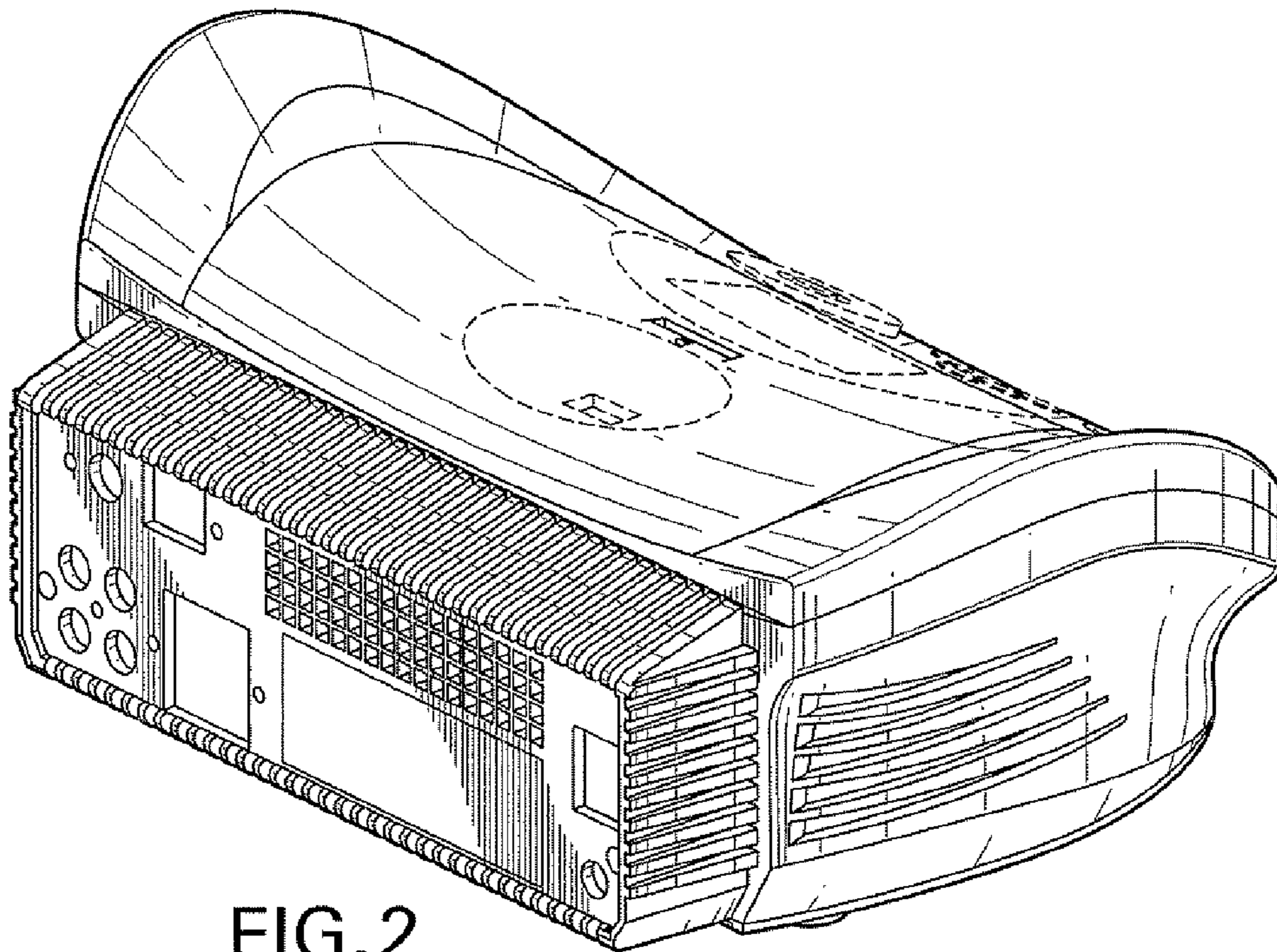


FIG. 2

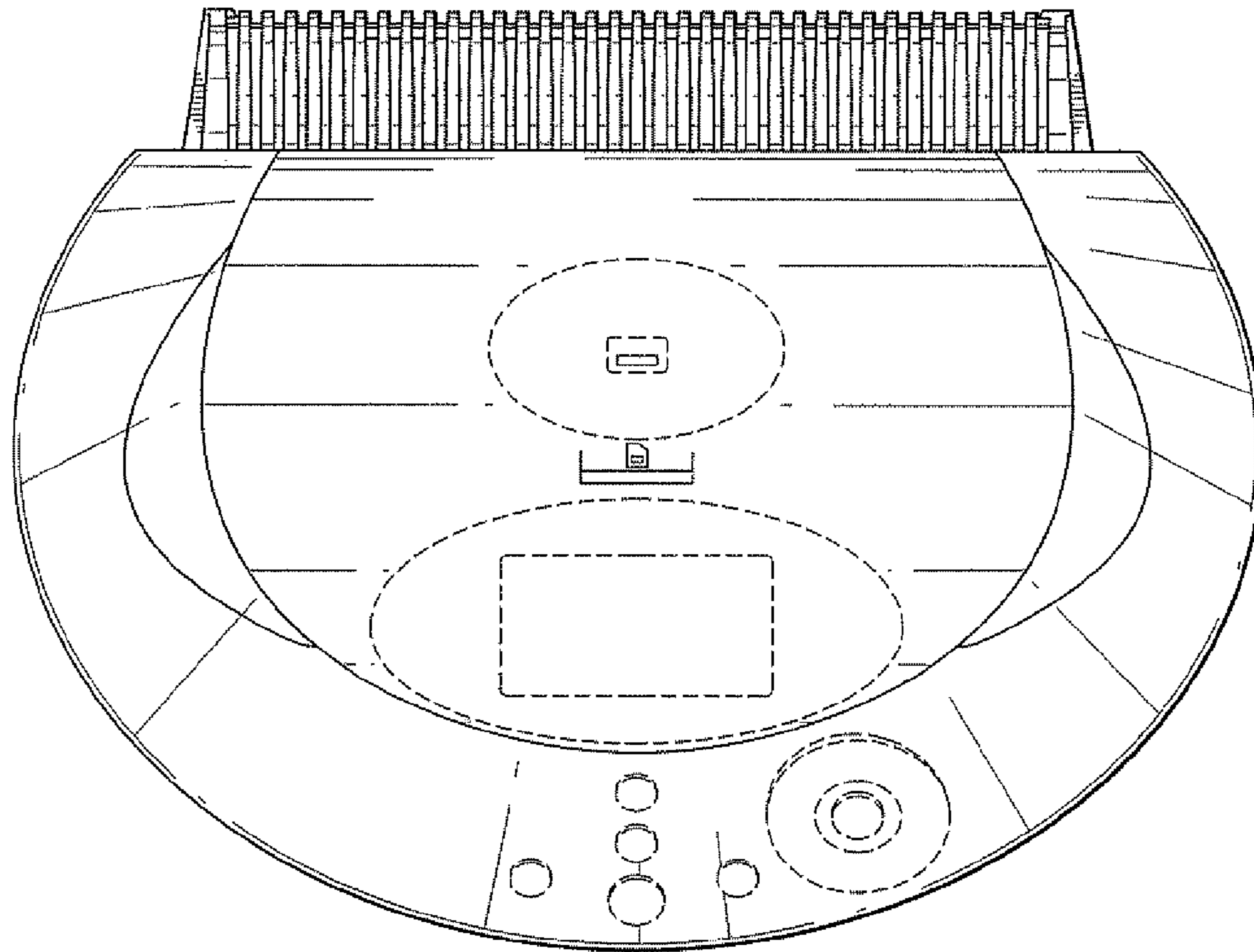


FIG. 3

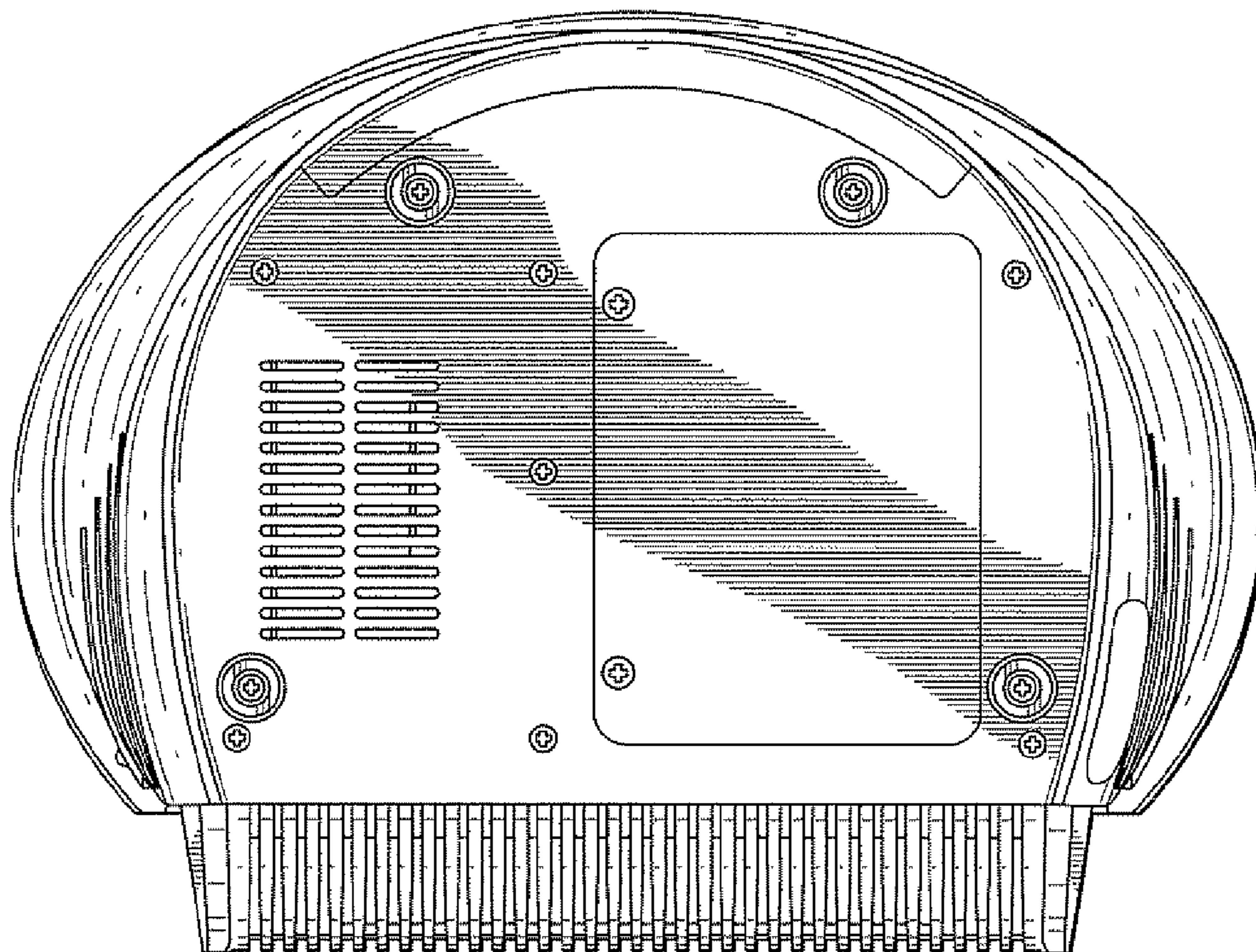


FIG. 4

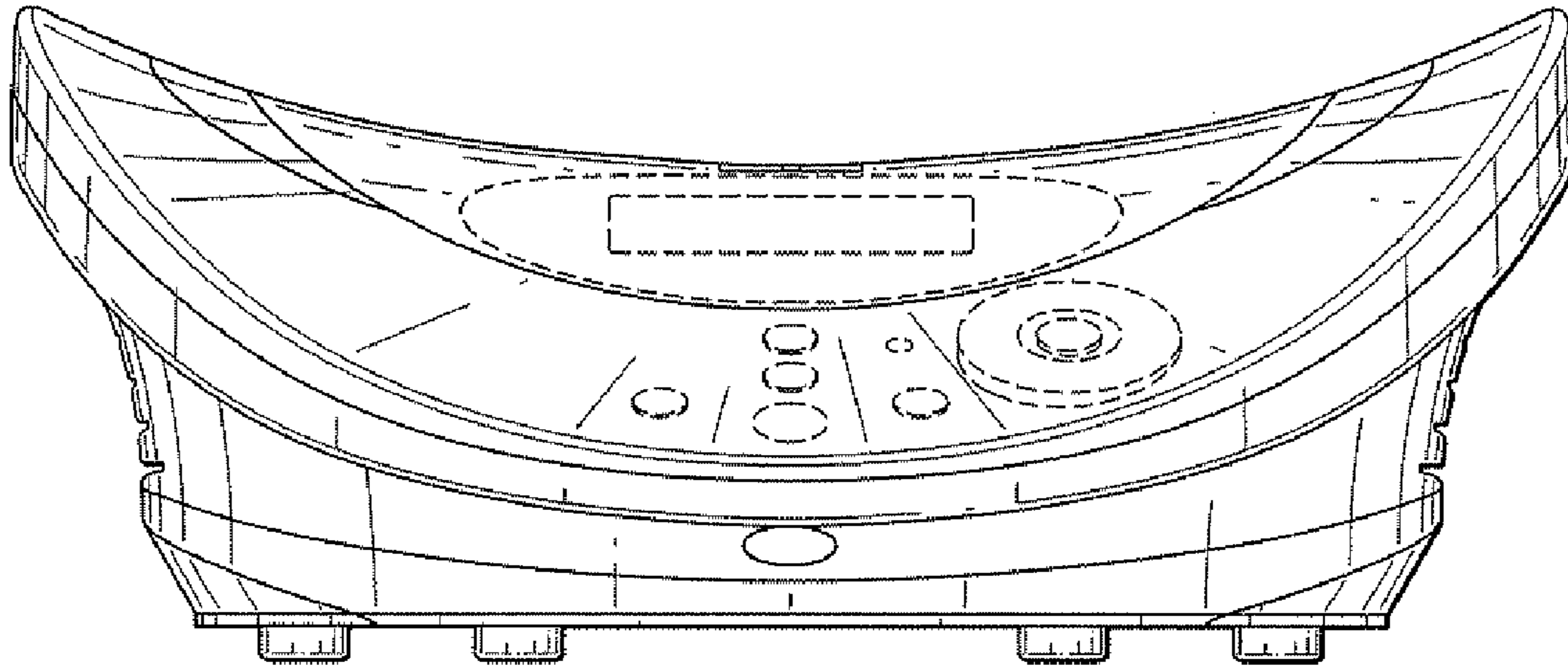


FIG. 5

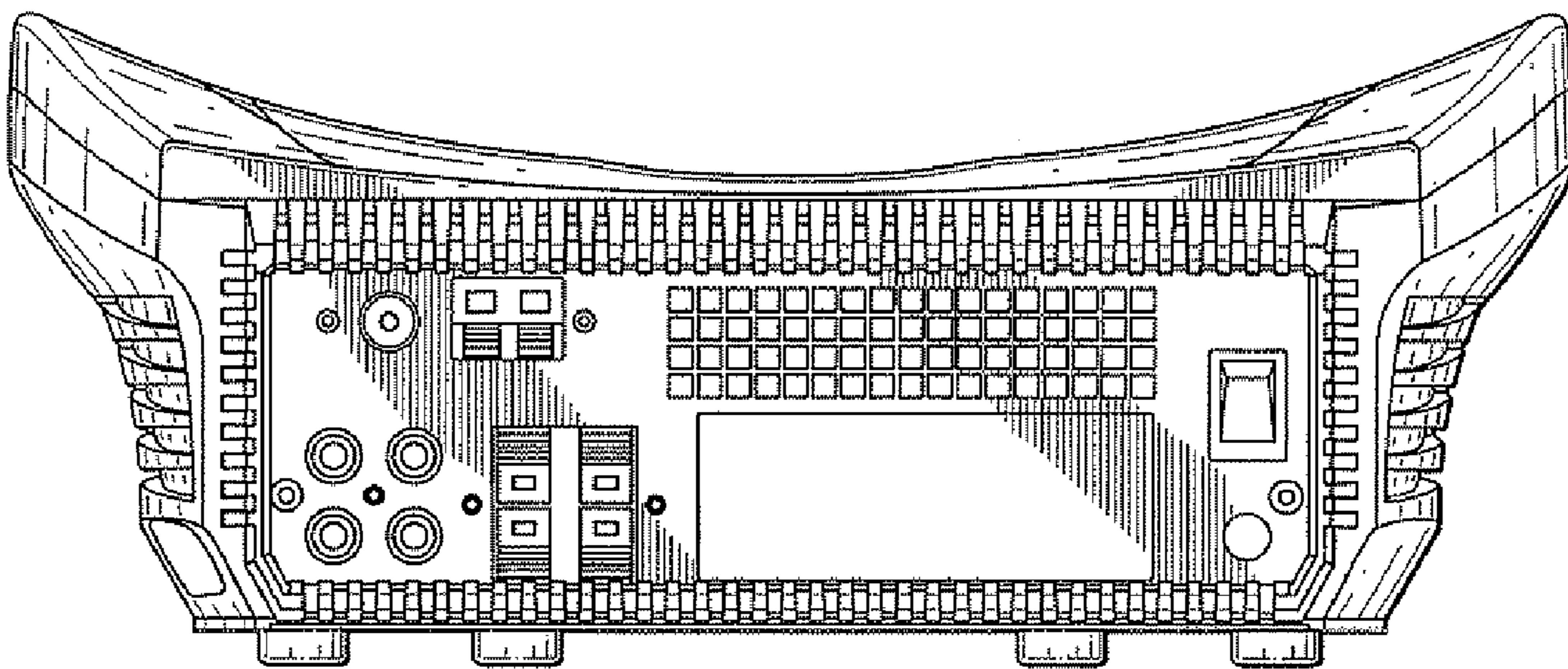


FIG. 6

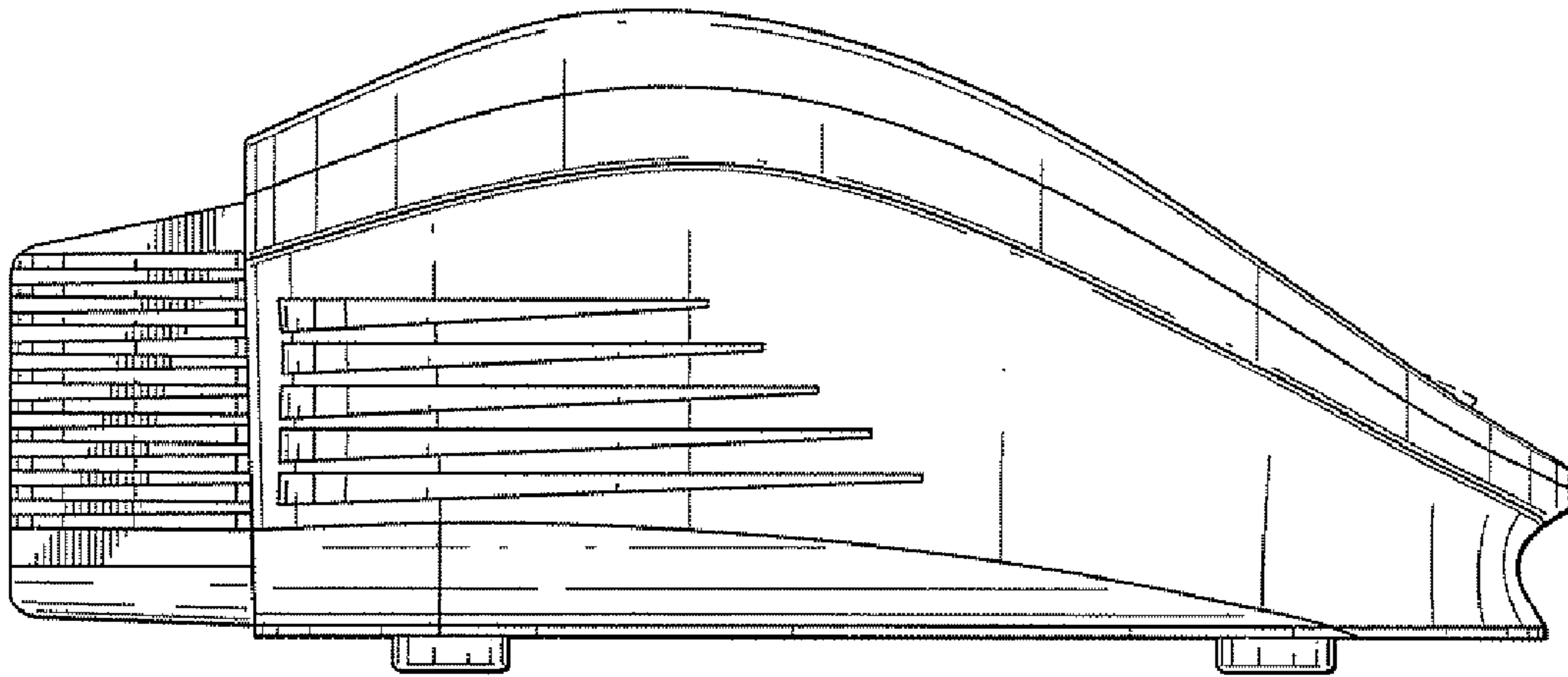


FIG. 7

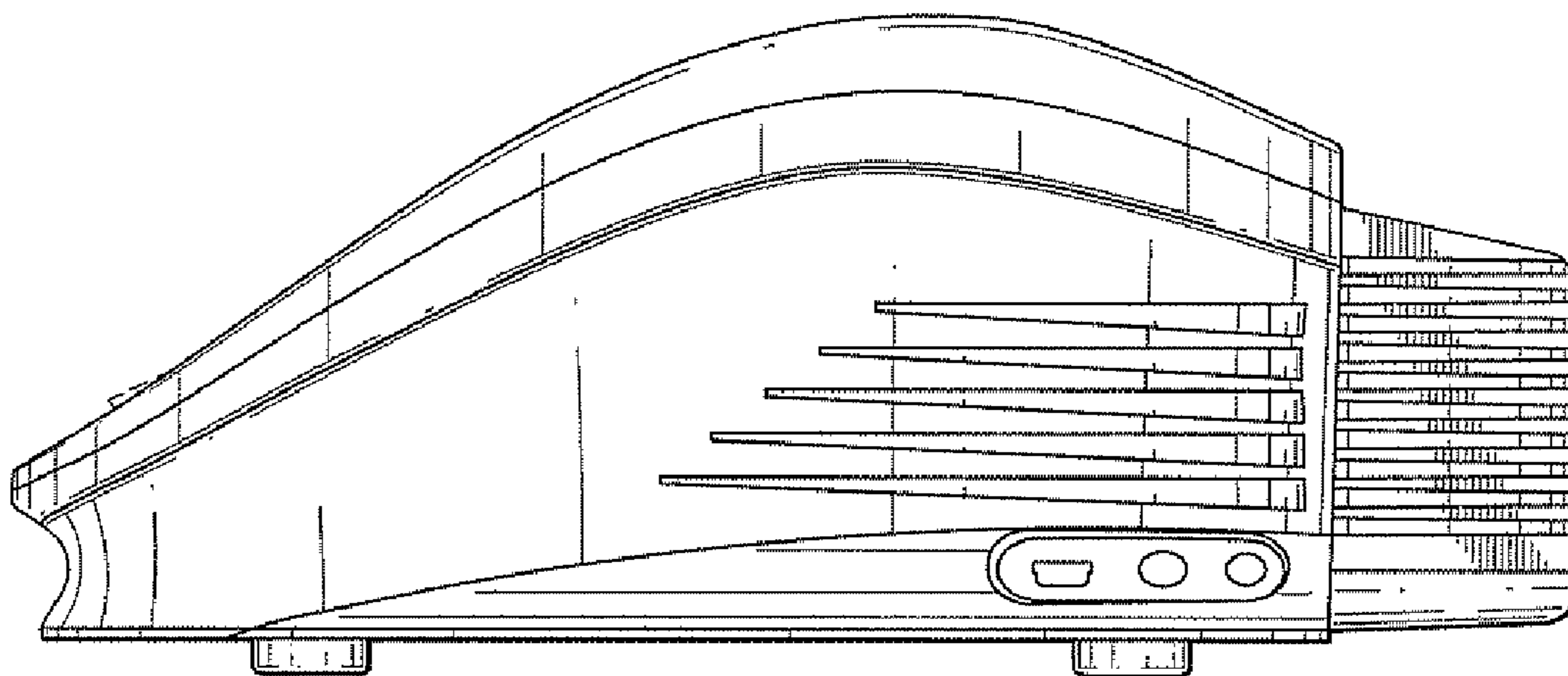


FIG. 8