

US00D547319S

(12) **United States Design Patent**
Chang

(10) **Patent No.:** **US D547,319 S**

(45) **Date of Patent:** **** Jul. 24, 2007**

(54) **MOUSE CHARGER**

(76) Inventor: **Yuan-Jung Chang**, 4F, No. 228, Min An Rd., Hsinchuang City, Taipei Hsien (TW)

(**) Term: **14 Years**

(21) Appl. No.: **29/220,562**

(22) Filed: **Jan. 4, 2005**

(51) **LOC (8) Cl.** **14-02**

(52) **U.S. Cl.** **D14/454; D13/108**

(58) **Field of Classification Search** D14/434, D14/447, 432, 433, 385, 357, 454; D13/199, D13/107, 108, 118; 361/600, 679, 683, 686; 200/6 R; 206/701; 320/113-115

See application file for complete search history.

(56) **References Cited**

U.S. PATENT DOCUMENTS

D411,824 S	*	7/1999	Wilson et al.	D13/108
D412,162 S	*	7/1999	Tal et al.	D14/447
D420,989 S	*	2/2000	Sandhu et al.	D14/447
D427,981 S	*	7/2000	Inukai	D14/453
6,185,094 B1	*	2/2001	Ruch et al.	361/686
D439,908 S	*	4/2001	Gozani	D14/434
6,246,577 B1	*	6/2001	Han et al.	361/686

D458,266 S	*	6/2002	Herath	D14/434
D460,971 S	*	7/2002	Sica et al.	D14/434
D463,361 S	*	9/2002	Ruohonen	D13/108
D465,532 S	*	11/2002	Hussaini et al.	D21/333
6,483,698 B1	*	11/2002	Loh	361/686
D468,685 S	*	1/2003	Jacobs et al.	D13/107
D474,736 S	*	5/2003	Sagawa	D13/108

* cited by examiner

Primary Examiner—Alan P. Douglas

Assistant Examiner—Susan Moon Lee

(74) *Attorney, Agent, or Firm*—Rosenberg, Klein & Lee

(57) **CLAIM**

The ornamental design for a “mouse charger,” as shown and described.

DESCRIPTION

FIG. 1 is a perspective view of a “mouse charger” showing my new design;

FIG. 2 is a front view thereof;

FIG. 3 is a rear view thereof;

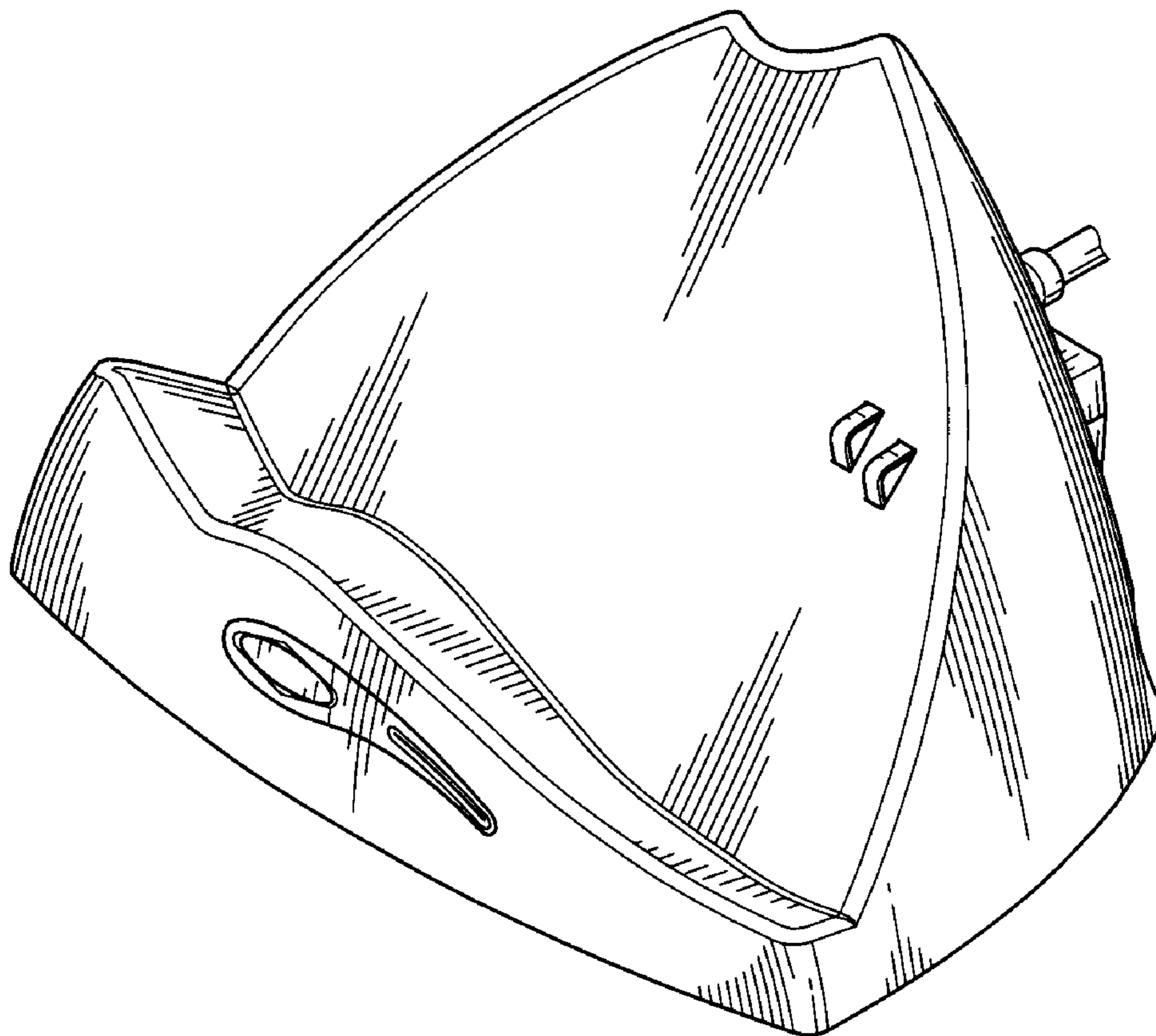
FIG. 4 is a left side view thereof;

FIG. 5 is a right side view thereof;

FIG. 6 is a top view thereof; and,

FIG. 7 is a bottom view thereof.

1 Claim, 4 Drawing Sheets



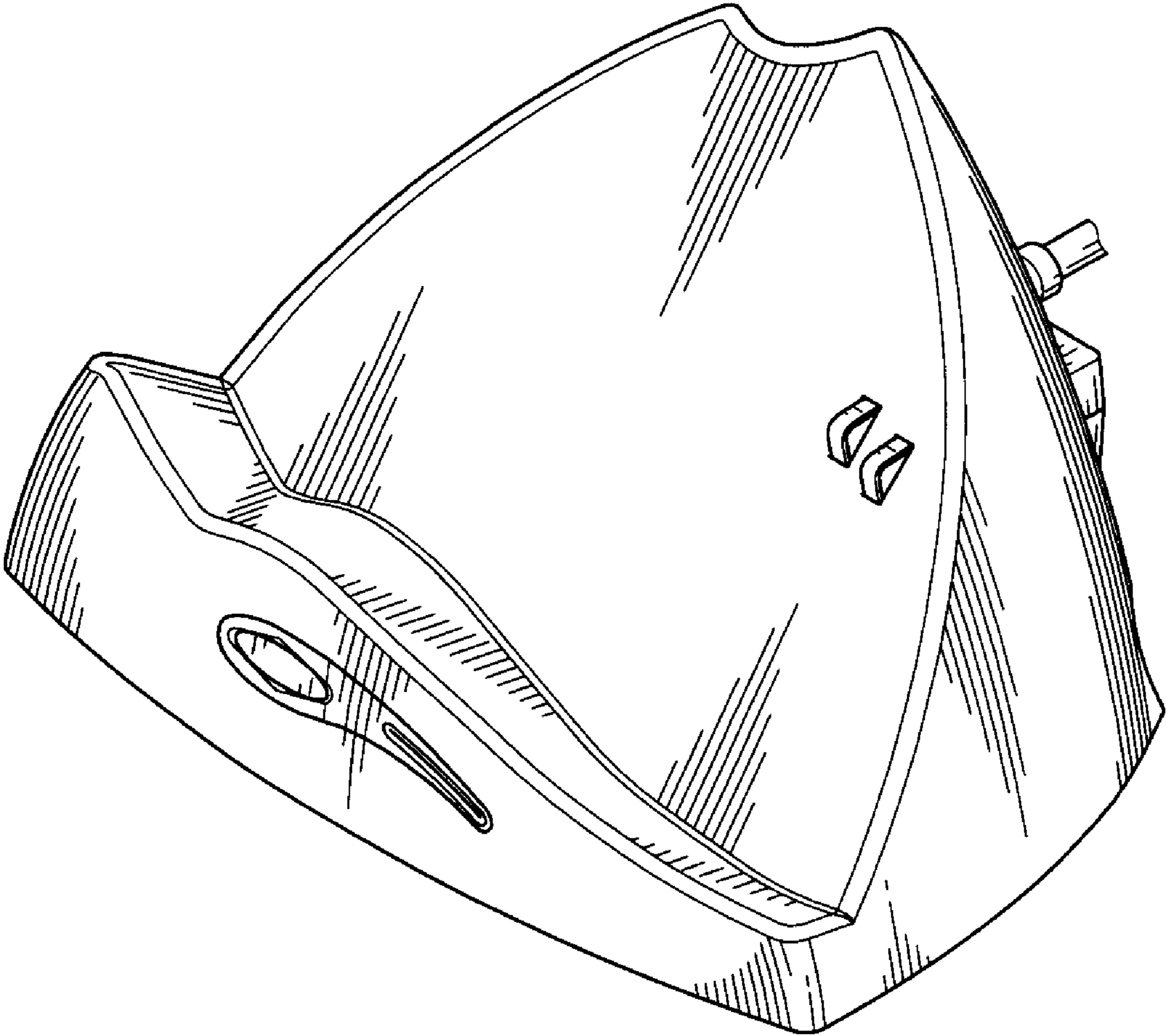


FIG. 1

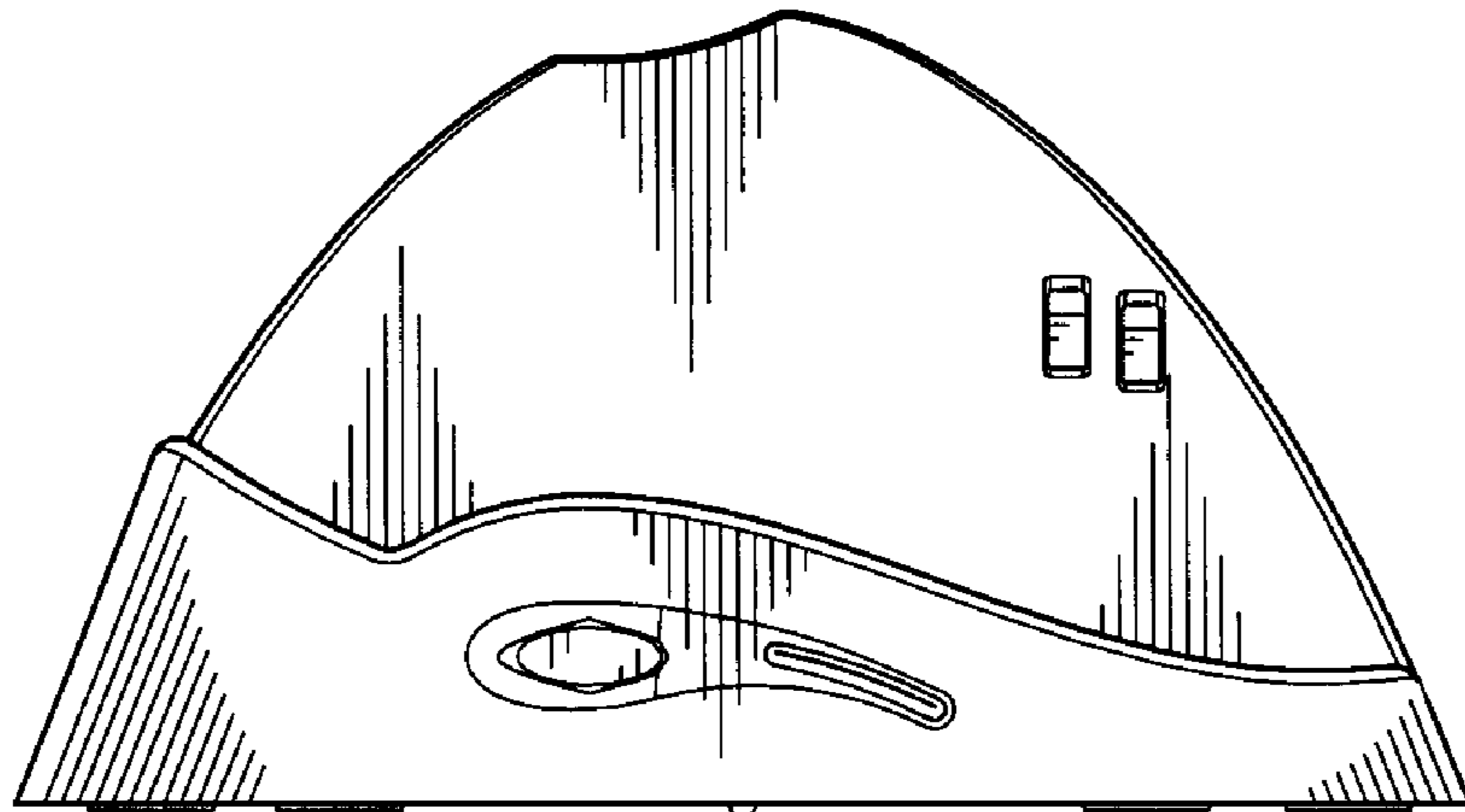


FIG. 2

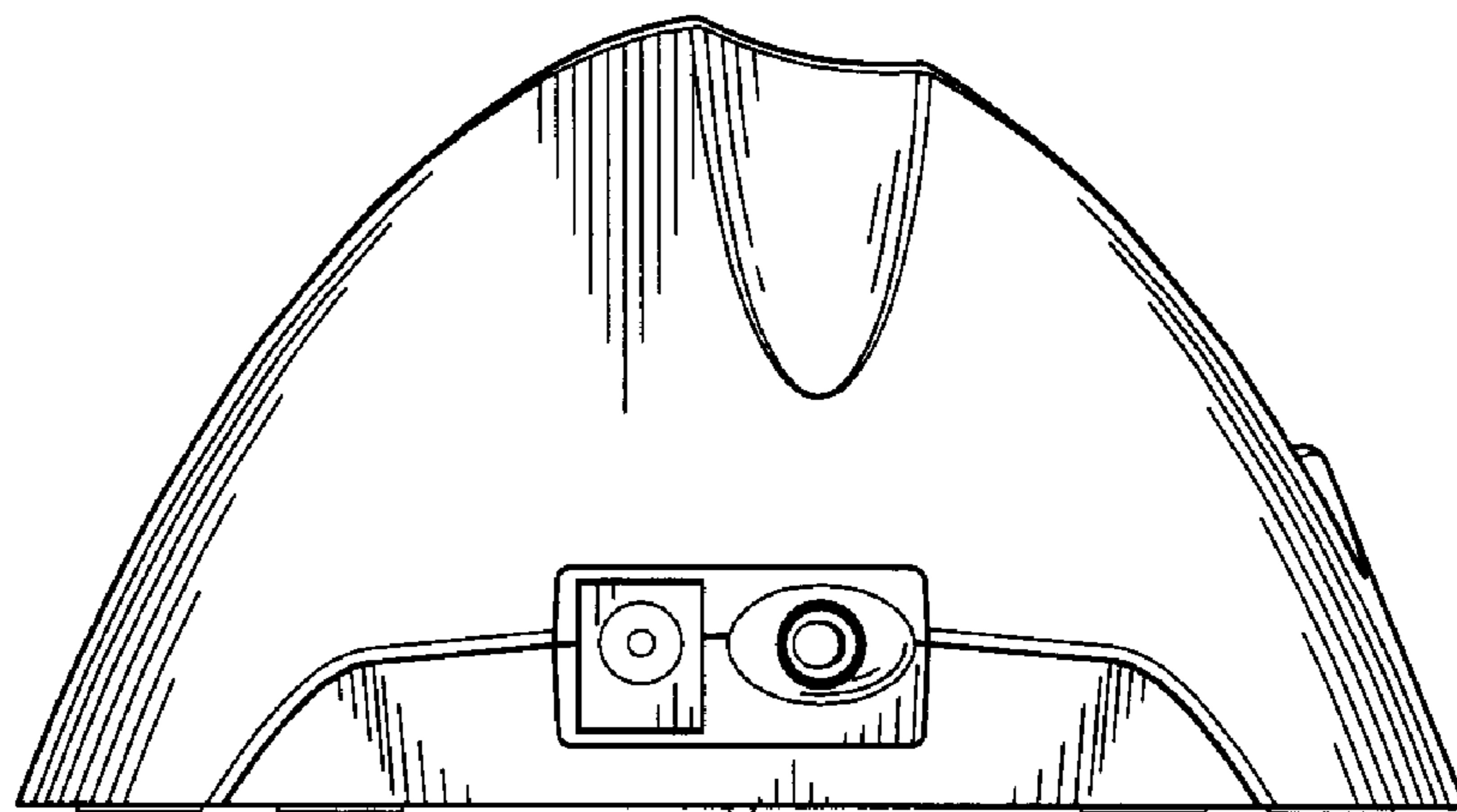


FIG. 3

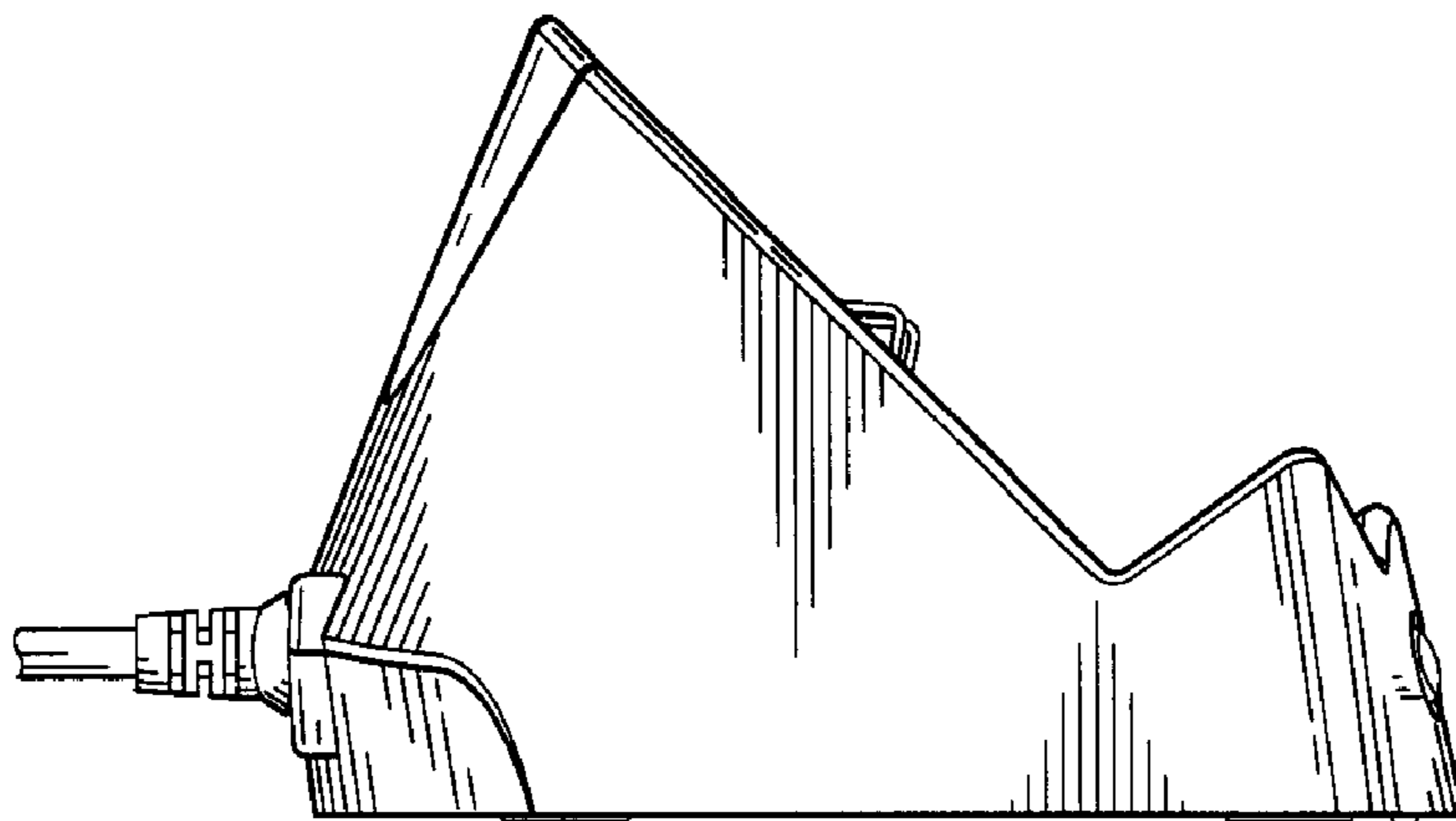


FIG. 4

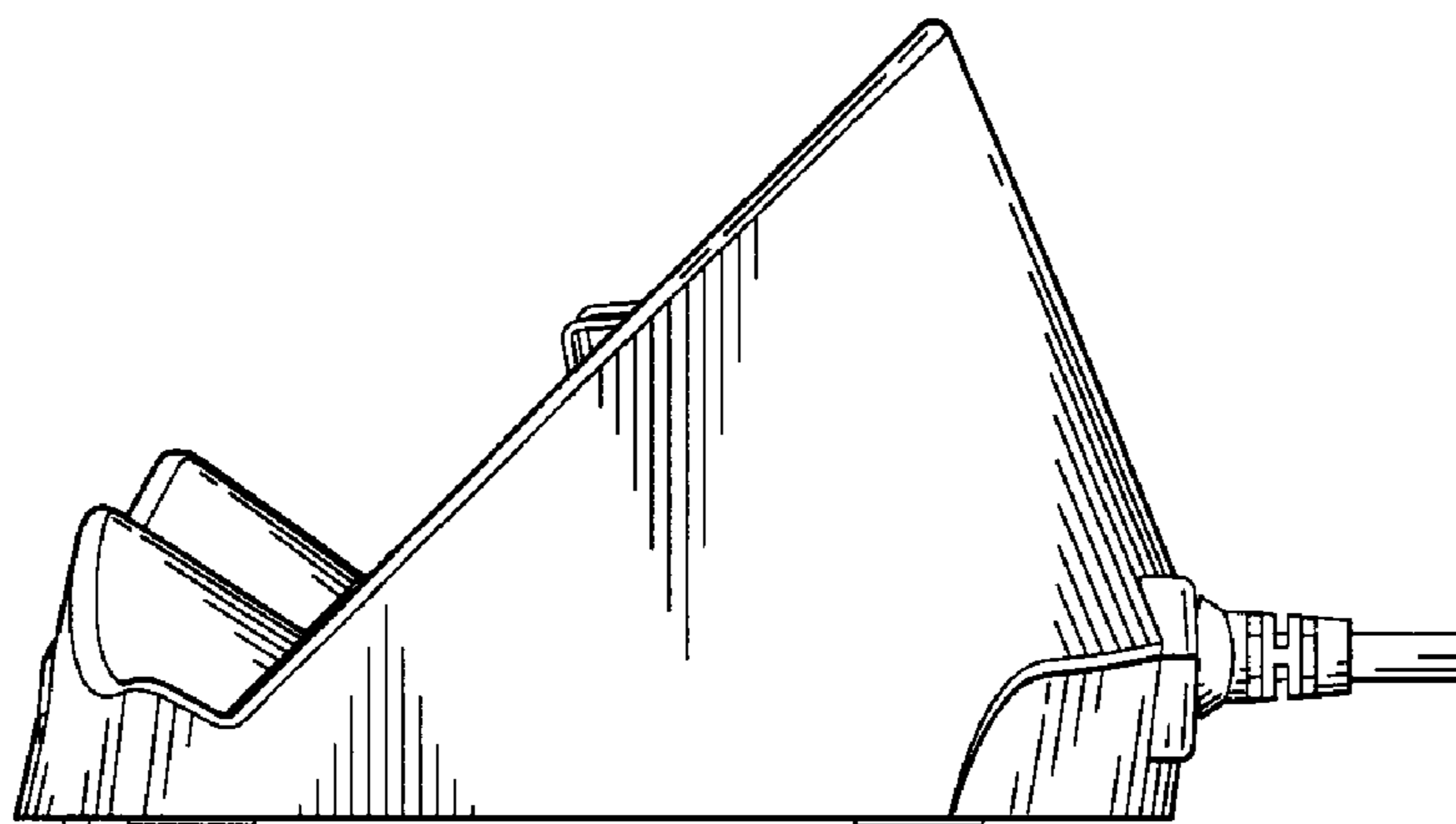


FIG. 5

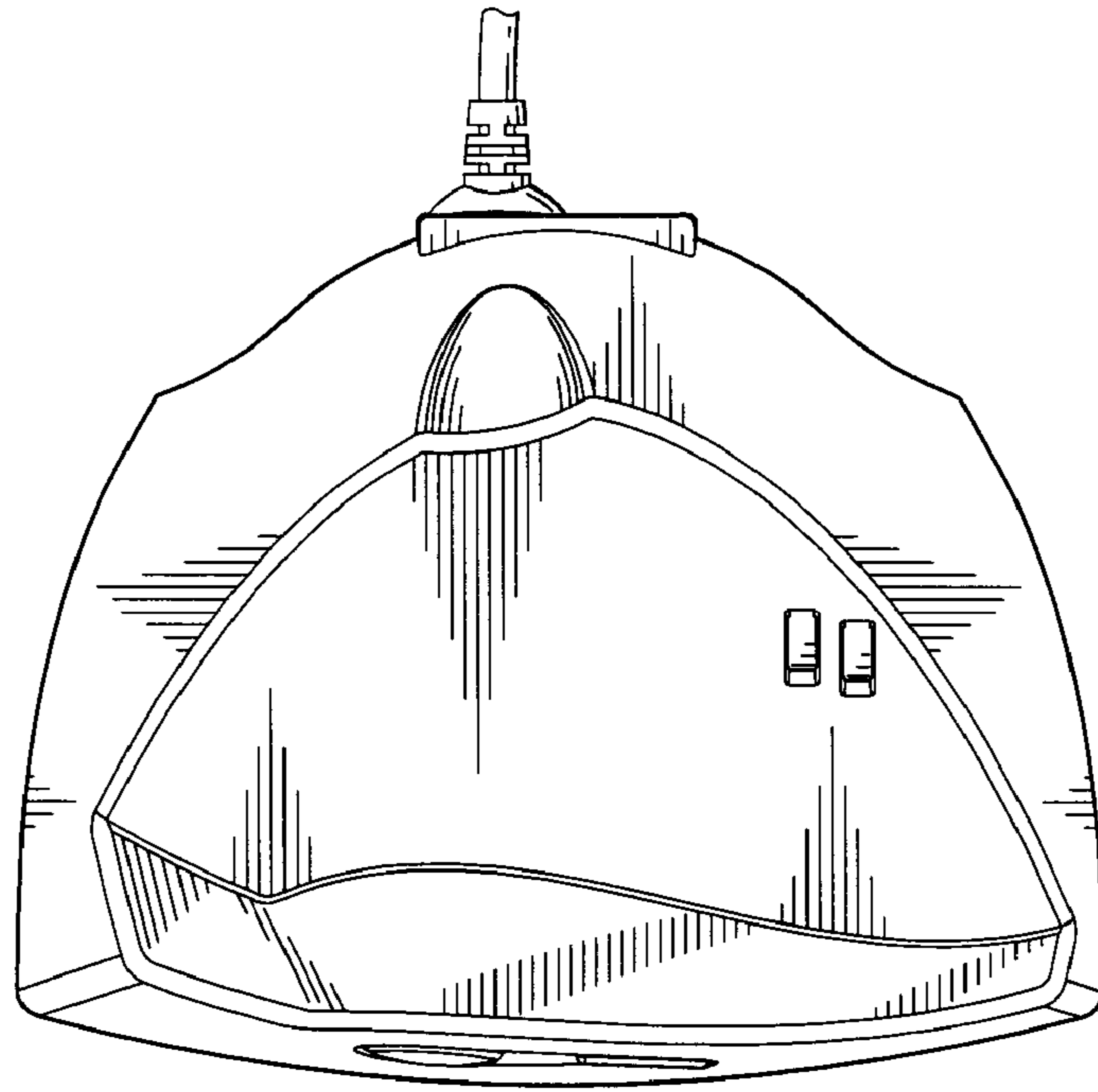


FIG. 6

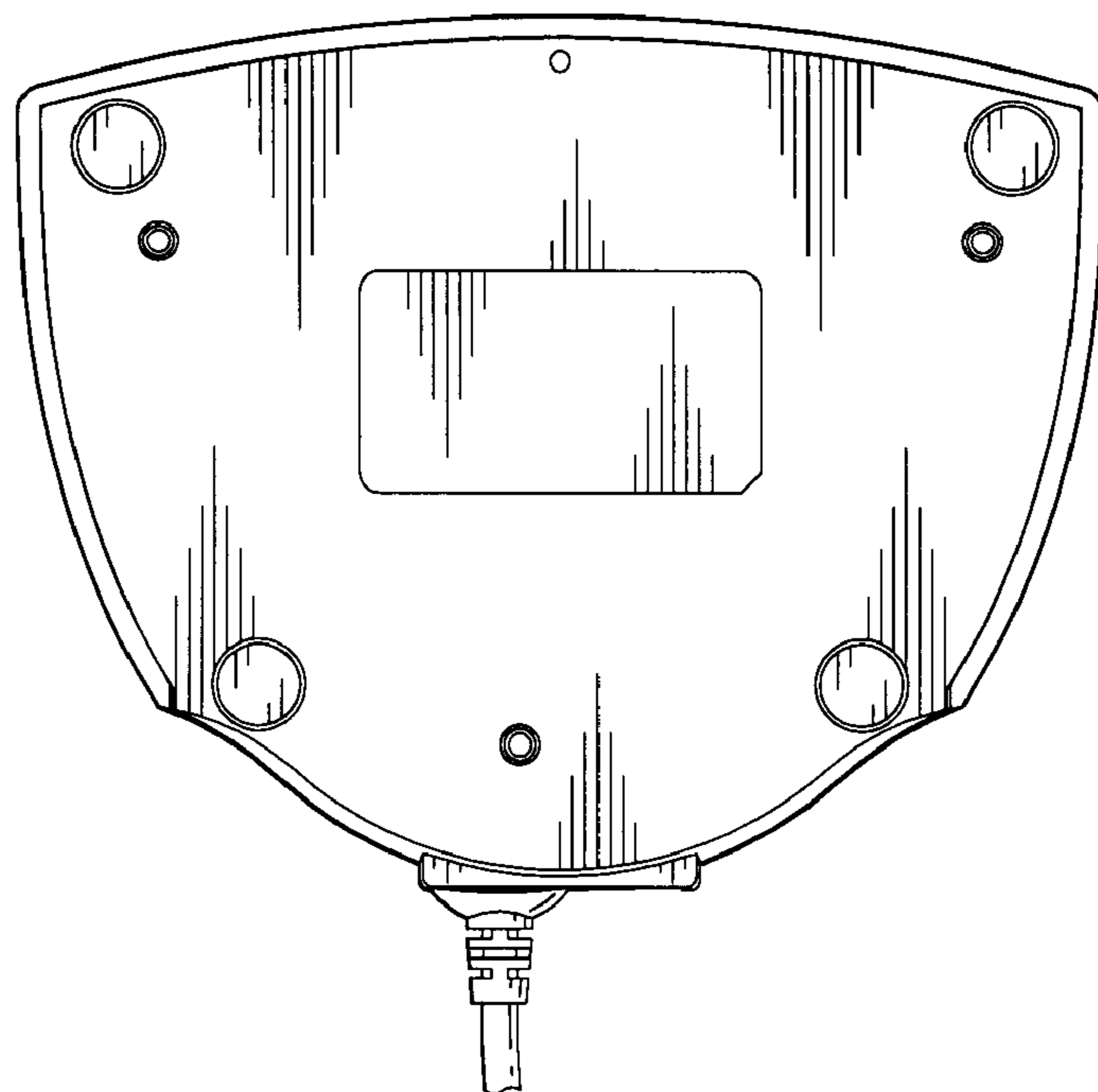


FIG. 7