



US00D547315S

(12) **United States Design Patent**  
**Yang et al.**

(10) **Patent No.:** **US D547,315 S**  
(45) **Date of Patent:** **\*\* Jul. 24, 2007**

(54) **FRONT BEZEL FOR COMPUTER ENCLOSURE**

D500,043 S \* 12/2004 Zhang et al. .... D14/441  
D512,070 S \* 11/2005 He et al. .... D14/444  
D514,110 S \* 1/2006 Liu et al. .... D14/441

(75) Inventors: **Fei Yang**, Shenzhen (CN); **Xin-Jian Xiao**, Shenzhen (CN)

\* cited by examiner

(73) Assignee: **Hon Hai Precision Industry Co., Ltd.**, Tu-Cheng, Taipei Hsien (TW)

*Primary Examiner*—Freda S. Nunn  
(74) *Attorney, Agent, or Firm*—Wei Te Chung

(\*\*) Term: **14 Years**

(57) **CLAIM**

(21) Appl. No.: **29/258,418**

The ornamental design for a front bezel for computer enclosure, as shown and described.

(22) Filed: **Apr. 21, 2006**

**DESCRIPTION**

(30) **Foreign Application Priority Data**

Mar. 10, 2006 (CN) ..... 2006 3 0054613

FIG. 1 is a perspective view of a front bezel for a computer enclosure showing our new design;

(51) **LOC (8) Cl.** ..... **14-02**

FIG. 2 is a front elevational view thereof;

(52) **U.S. Cl.** ..... **D14/441**

FIG. 3 is a rear elevational view thereof;

(58) **Field of Classification Search** ..... D14/441-446;  
D13/162, 184, 199; 312/223.2; 361/680-686,  
361/690-696; 369/34.01, 36.01

FIG. 4 is a left side elevational view thereof;

See application file for complete search history.

FIG. 5 is a right side elevational view thereof;

FIG. 6 is a top plan view thereof;

FIG. 7 is a bottom plan view thereof; and,

FIG. 8 is a perspective view thereof in using condition and being mounted to a computer enclosure.

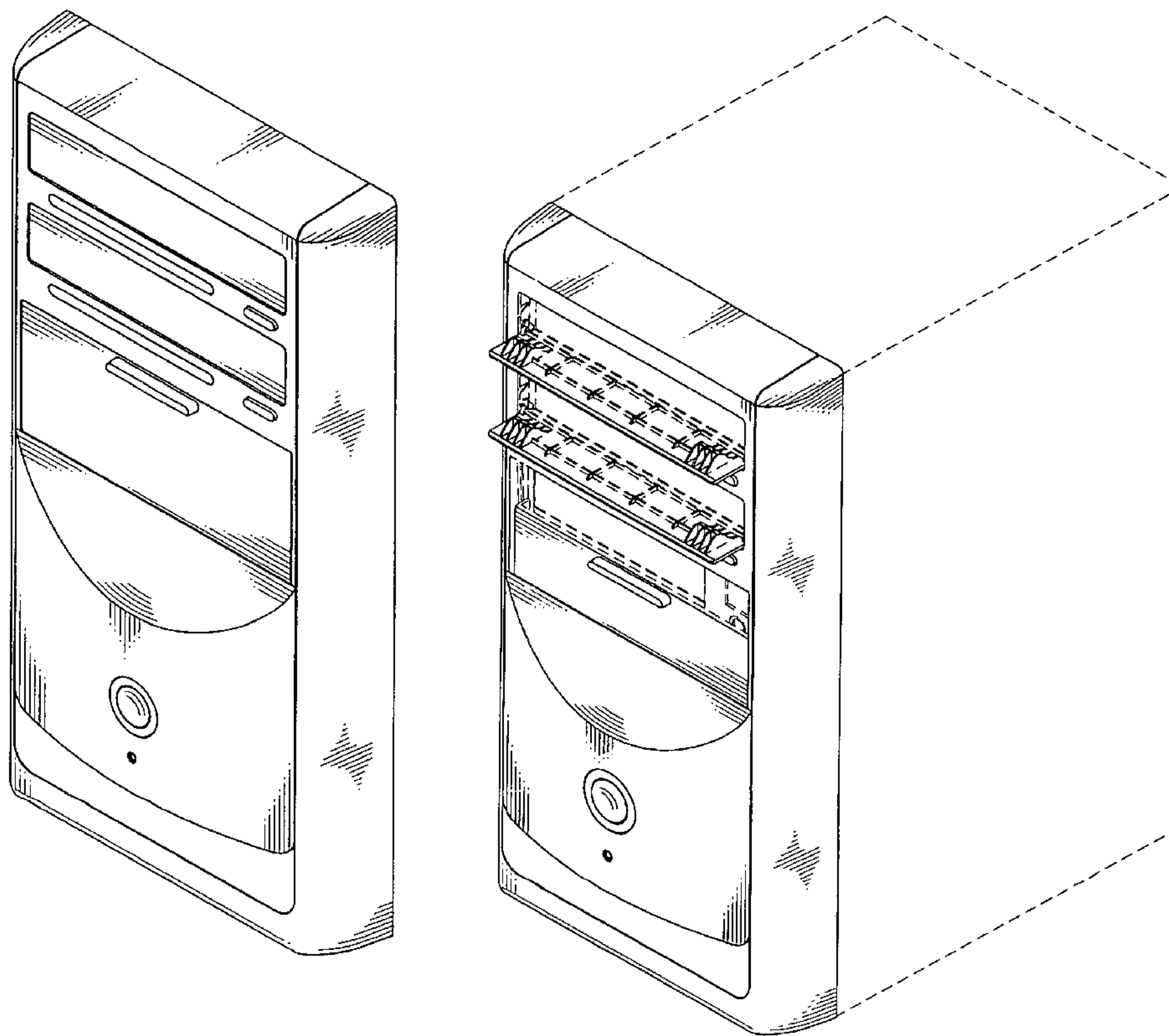
Broken lines are for illustrative purposes only and form no part of the claimed design.

(56) **References Cited**

**U.S. PATENT DOCUMENTS**

D425,044 S \* 5/2000 Jean et al. .... D14/446  
D438,517 S \* 3/2001 Chen et al. .... D14/444  
D459,357 S \* 6/2002 Lo ..... D14/444

**1 Claim, 6 Drawing Sheets**



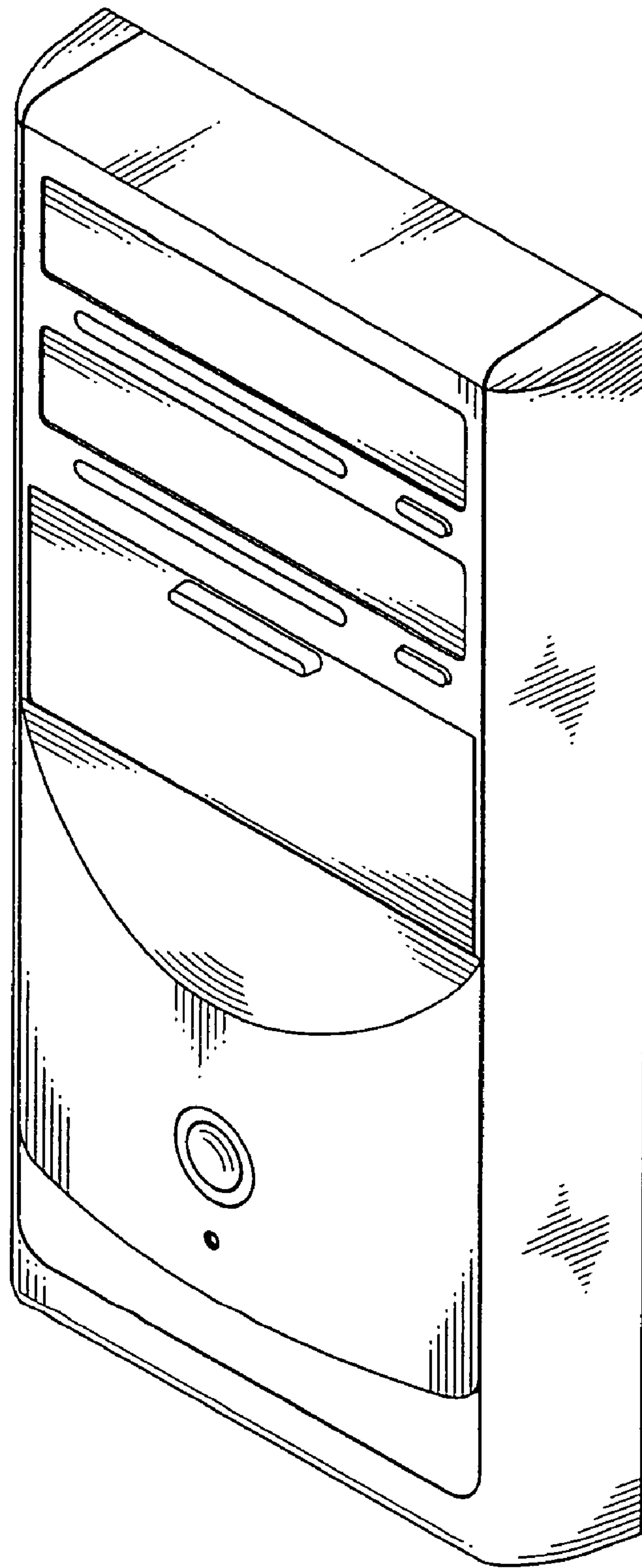


FIG. 1

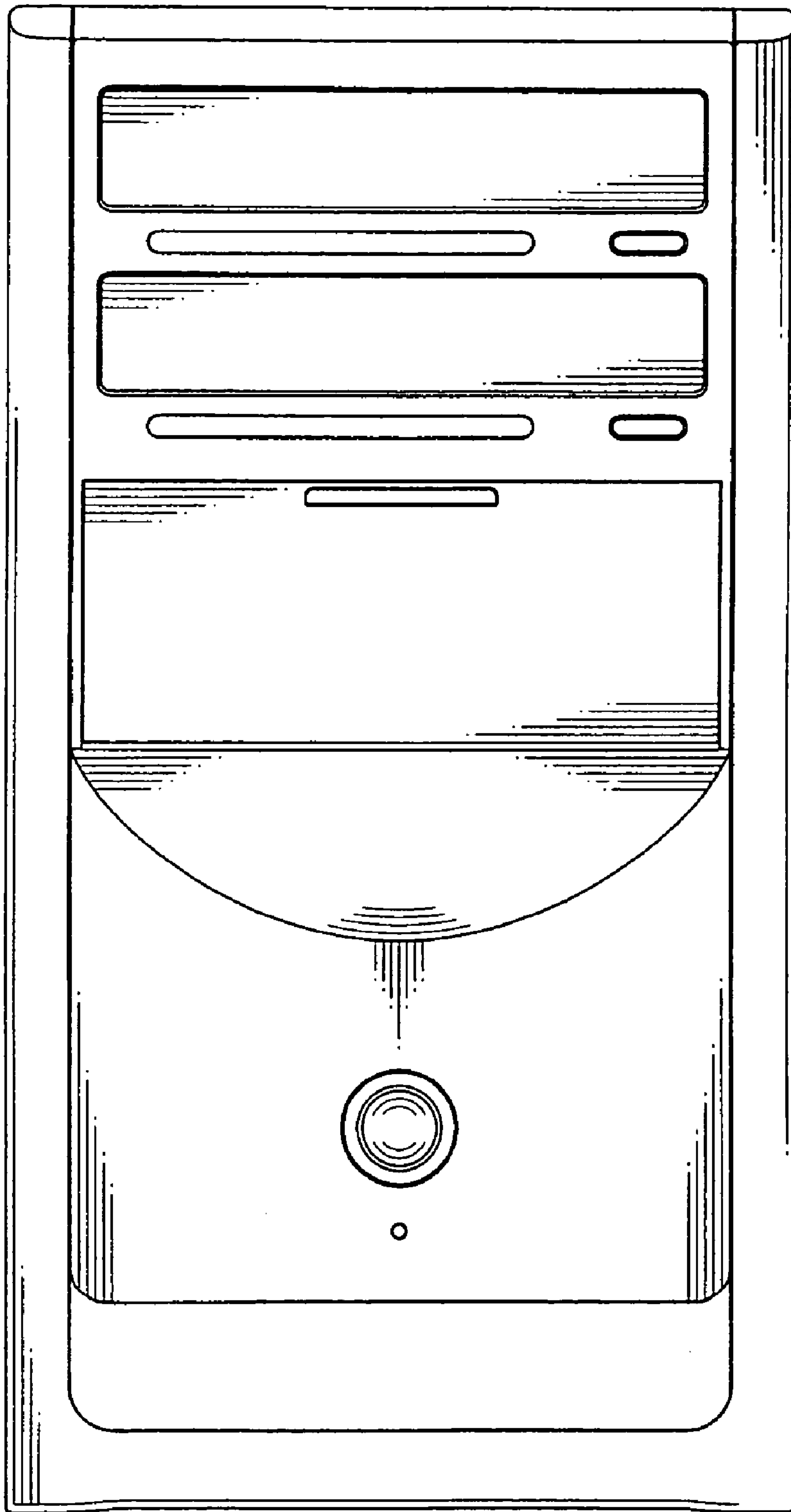


FIG. 2

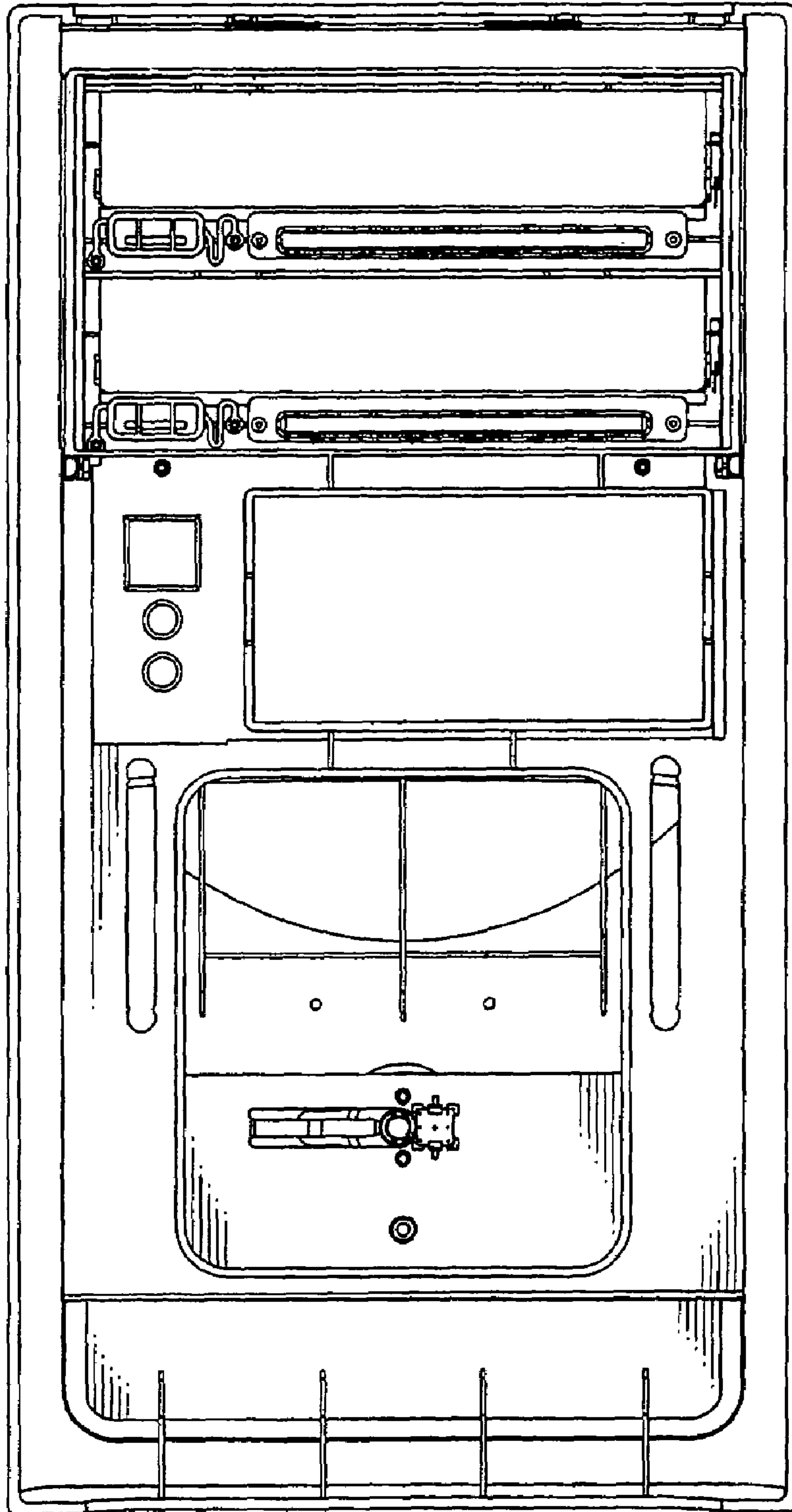


FIG. 3

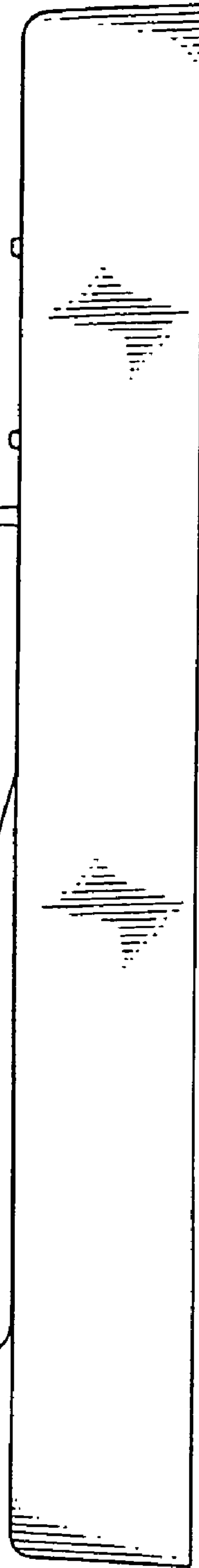
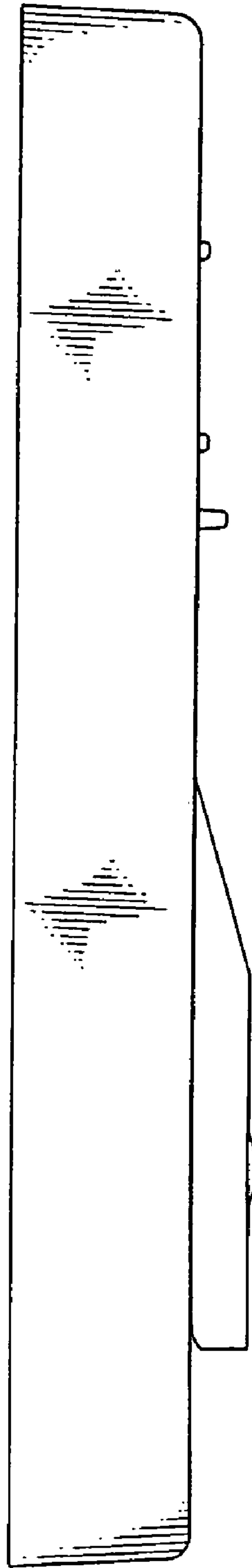


FIG. 4

FIG. 5

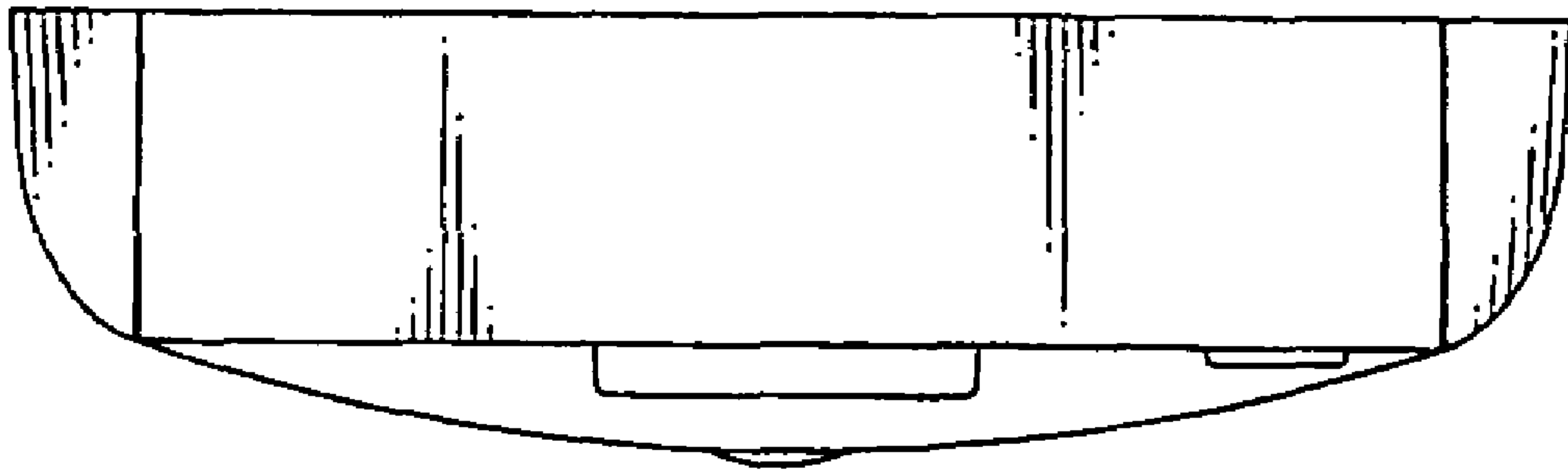


FIG. 6

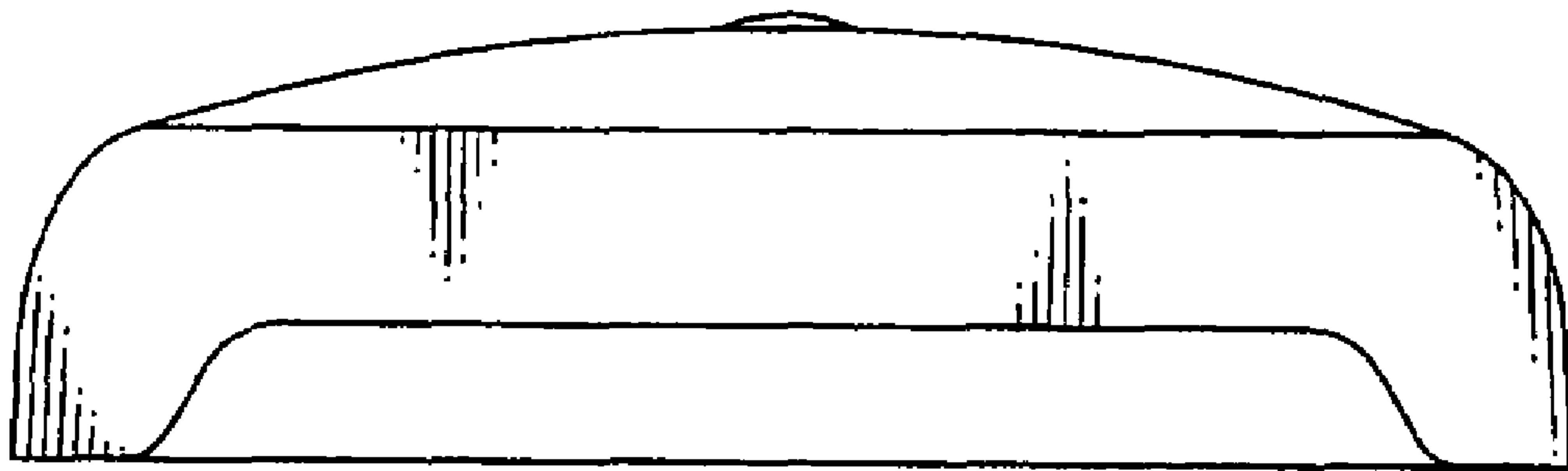


FIG. 7



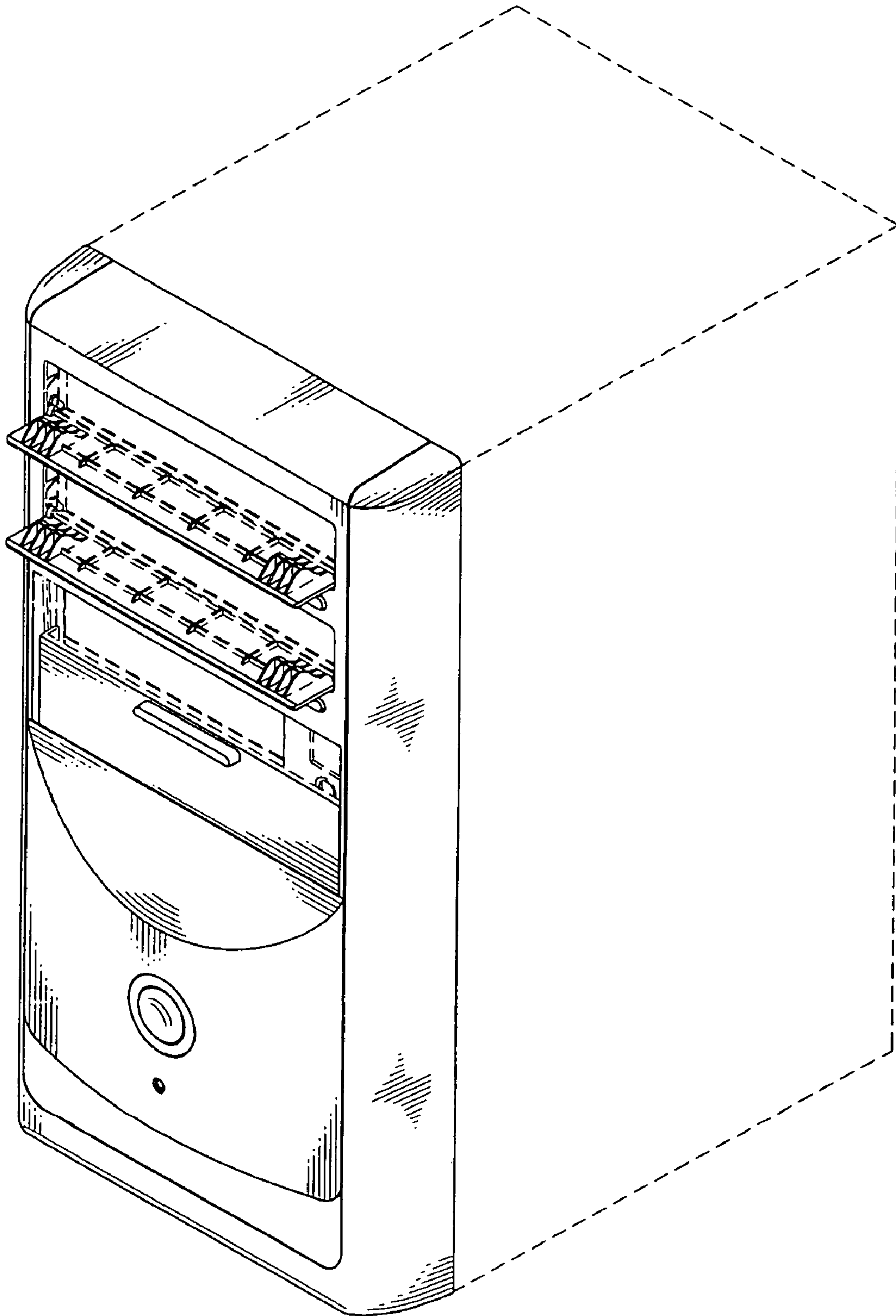


FIG. 8