

US00D547312S

(12) **United States Design Patent**
Kim

(10) **Patent No.:** **US D547,312 S**

(45) **Date of Patent:** **** Jul. 24, 2007**

(54) **CD-ROM**

(75) Inventor: **Jong Ho Kim**, Seoul (KR)

(73) Assignee: **LG Electronics Inc.**, Seoul (KR)

(**) Term: **14 Years**

(21) Appl. No.: **29/195,793**

(22) Filed: **Dec. 18, 2003**

(30) **Foreign Application Priority Data**

Jun. 20, 2003 (KR) 30-2003-0017381

(51) **LOC (8) Cl.** **14-02**

(52) **U.S. Cl.** **D14/366**

(58) **Field of Classification Search** D12/242,
D12/496, 125, 240, 135-6, 167, 314, 341,
D12/356-8, 362-70, 383, 385, 348, 353,
D12/156; D13/103; 220/4.02; 361/679,
361/683-6; 379/413.04; 369/34.01

See application file for complete search history.

(56) **References Cited**

U.S. PATENT DOCUMENTS

D265,989 S * 8/1982 Harris et al. D13/184
D296,898 S * 7/1988 Hara D14/368
D326,089 S * 5/1992 Gowda et al. D14/355
D341,580 S * 11/1993 Ogura et al. D14/368
D357,015 S * 4/1995 Ikenaga D14/156
D358,378 S * 5/1995 Ito et al. D14/368
D360,197 S * 7/1995 Ikenaga D14/368
D370,895 S * 6/1996 Ito et al. D14/366

D382,860 S * 8/1997 Kondo D14/366
D384,045 S * 9/1997 Ito et al. D14/368
D418,518 S * 1/2000 Storti et al. D14/257
6,343,009 B1 * 1/2002 Liu et al. 361/684
D470,839 S * 2/2003 Tuhkanen D14/240

OTHER PUBLICATIONS

Drives PDFs: <http://www.lge.com/products/model/enlarge/gdr-8162b.jhtml>, Nov. 14, 2006.*
<http://www.lge.com/products/model/enlarge/gsa-e10n.jhtml>, Nov. 14, 2006.*

* cited by examiner

Primary Examiner—Robin Webster

Assistant Examiner—Karen E. Kearney

(74) *Attorney, Agent, or Firm*—Birch, Stewart, Kolasch and Birch, LLP

(57) **CLAIM**

The ornamental design for a CD ROM, as shown and described.

DESCRIPTION

FIG. 1 is a perspective view of the CD-ROM showing my new design;

FIG. 2 is a front view thereof;

FIG. 3 is a rear view thereof;

FIG. 4 is a left side view thereof;

FIG. 5 is a top view thereof; and,

FIG. 6 is a bottom view thereof.

1 Claim, 2 Drawing Sheets

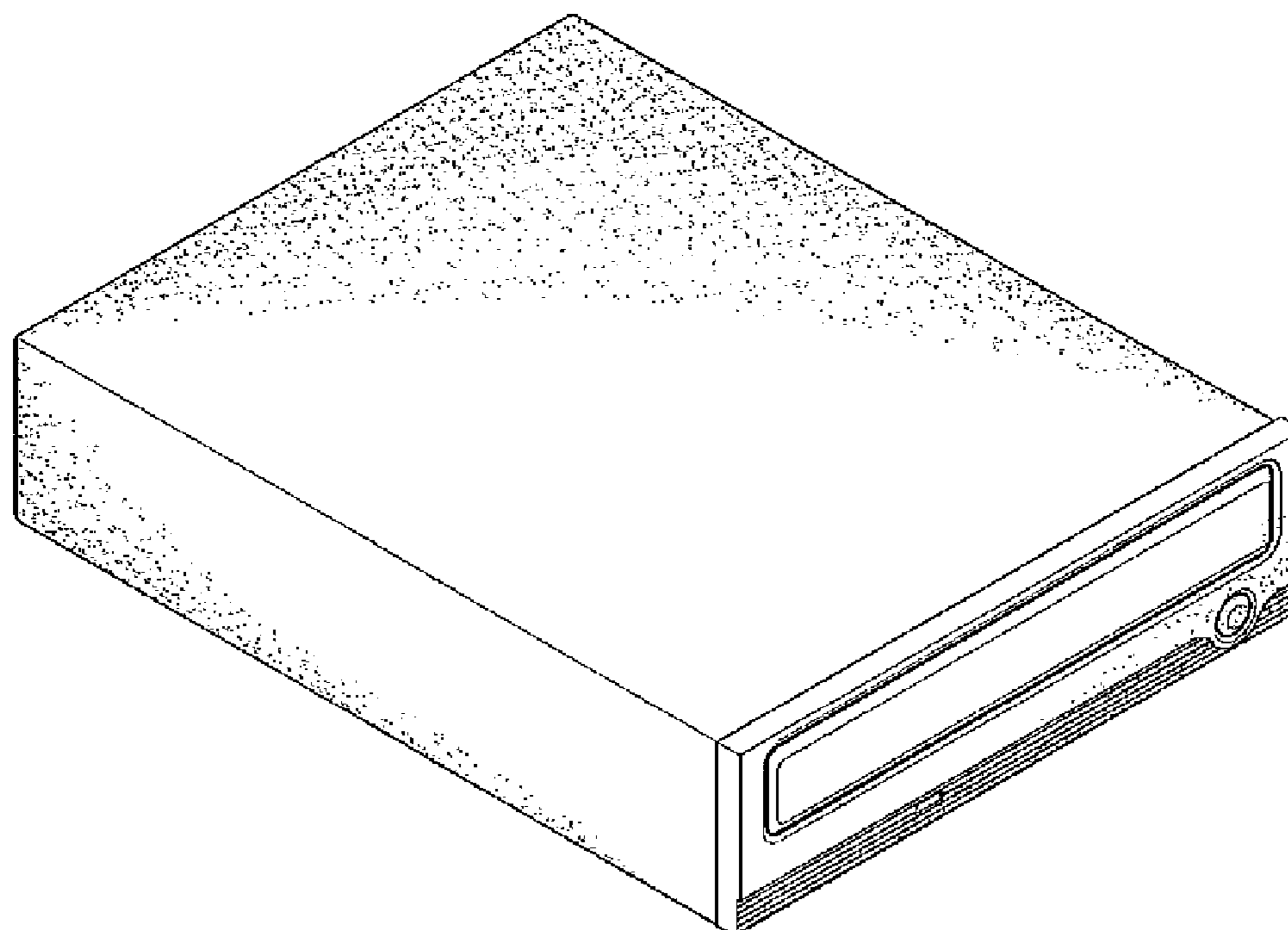


FIG. 1

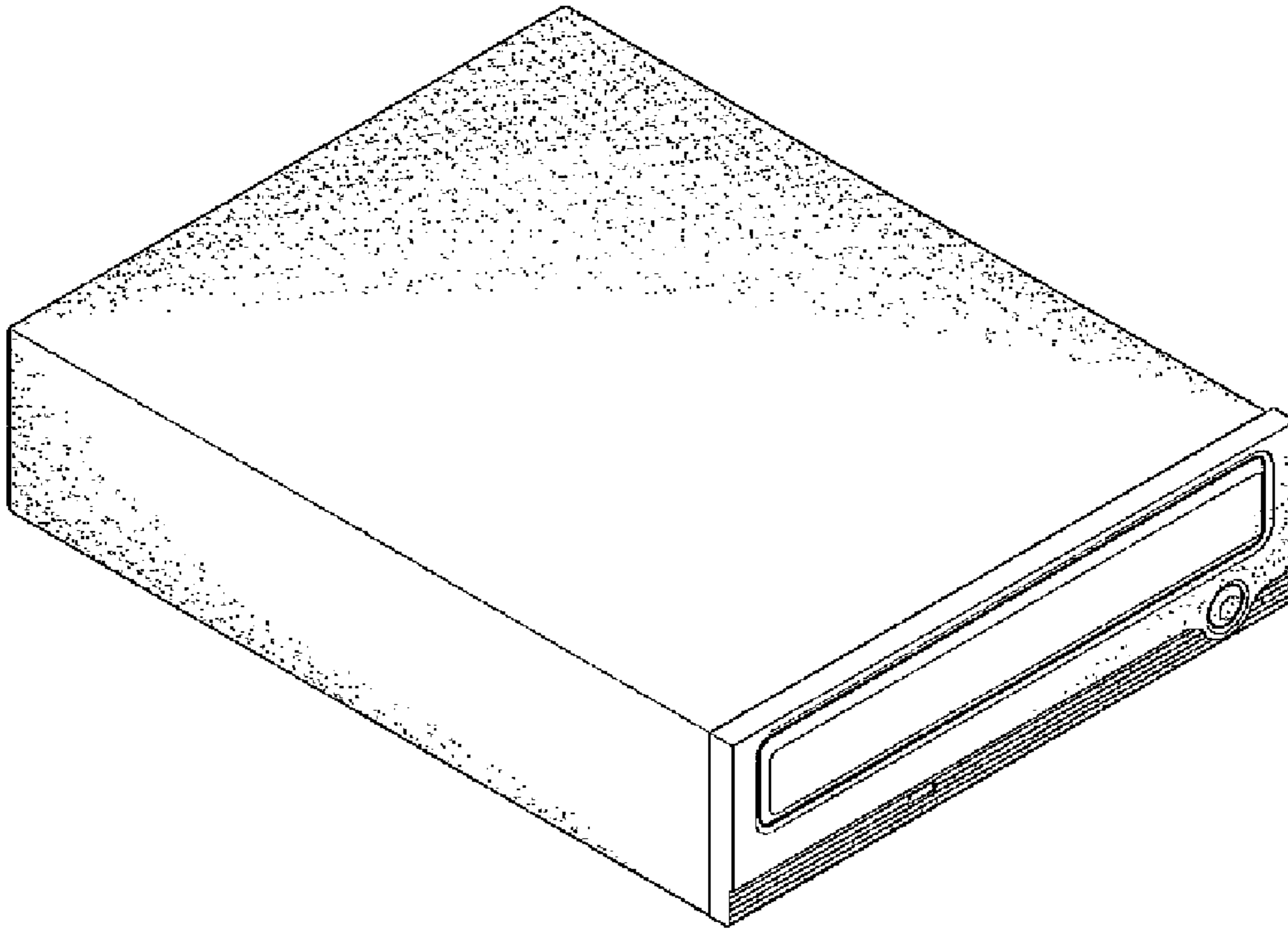


FIG. 2

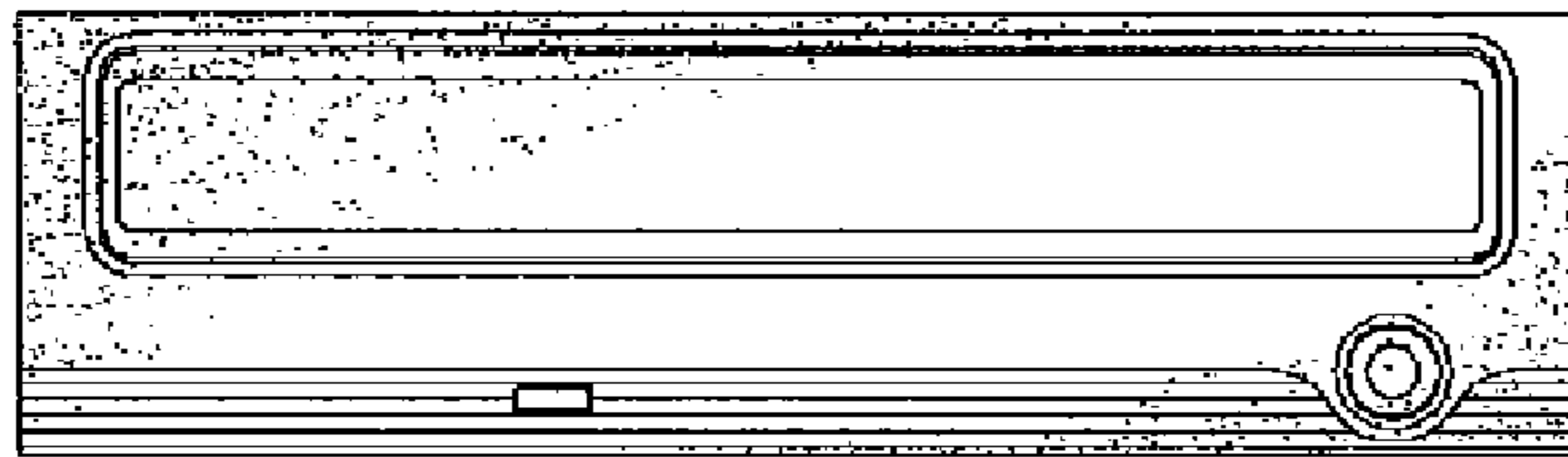


FIG. 3

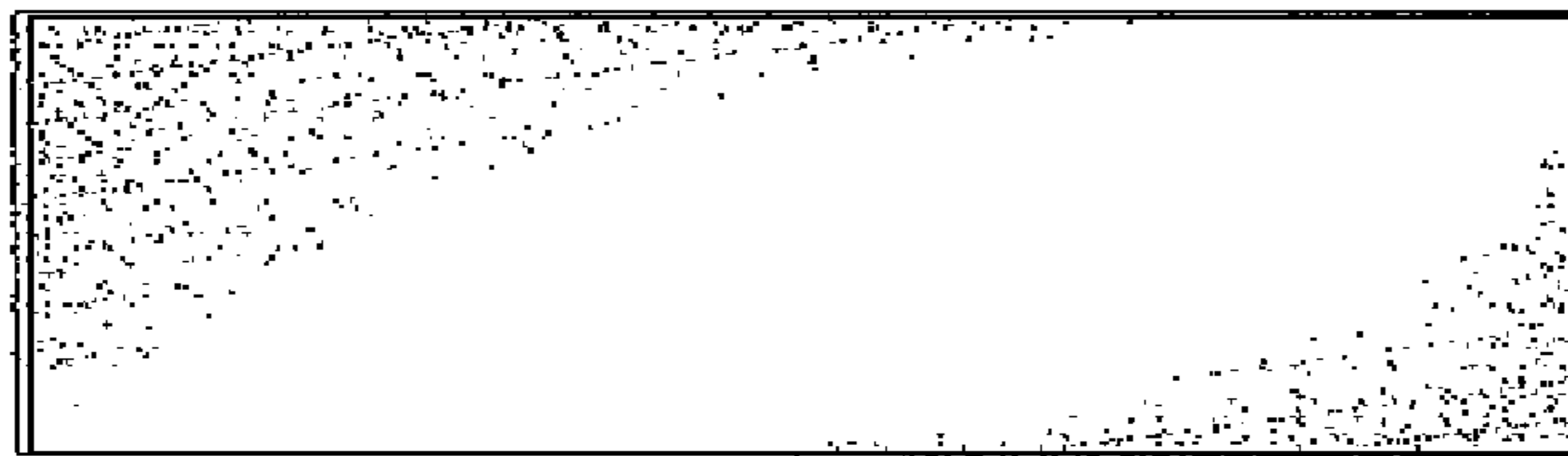


FIG. 4

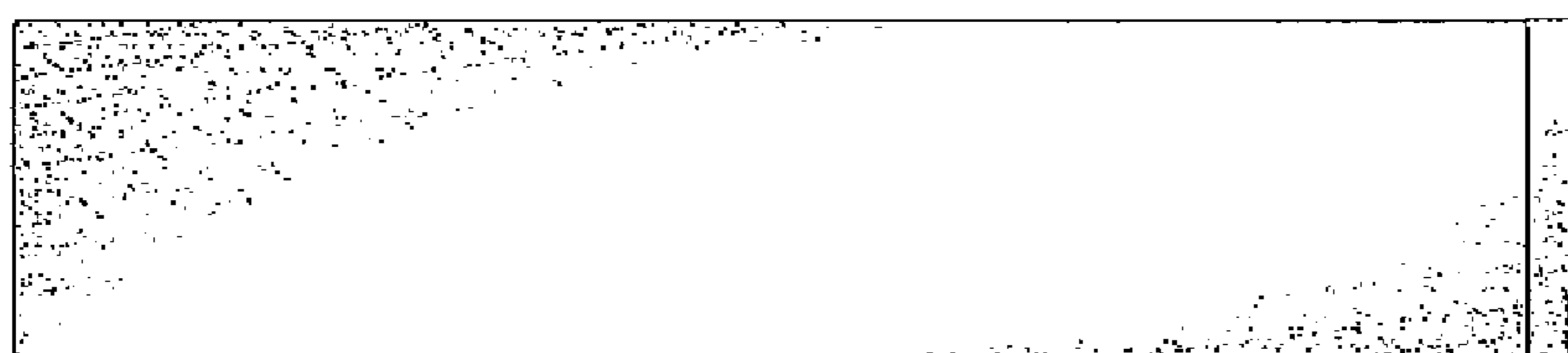


FIG. 5

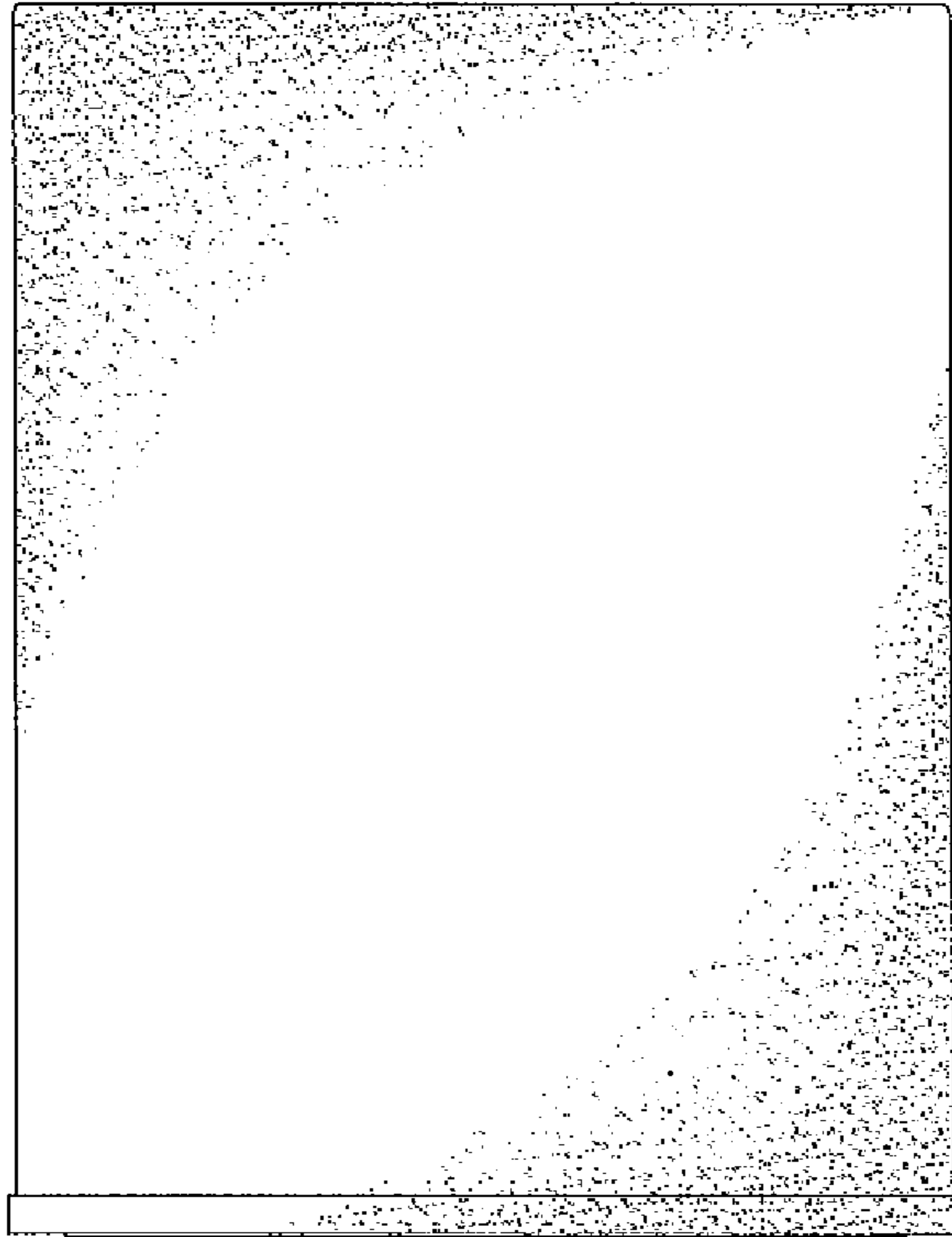


FIG. 6

