



US00D547311S

(12) **United States Design Patent**
Chen et al.

(10) **Patent No.:** **US D547,311 S**
(45) **Date of Patent:** **** Jul. 24, 2007**

(54) **USB STORAGE DEVICE**

(75) Inventors: **Jing Chen**, Tianjin (CN); **Che-Hung Chen**, Taipei (TW)

(73) Assignee: **Inventec Multimedia & Telecom Corporation**, Taipei (TW)

(**) Term: **14 Years**

(21) Appl. No.: **29/235,097**

(22) Filed: **Jul. 28, 2005**

(30) **Foreign Application Priority Data**

May 13, 2005 (TW) 94302826

(51) **LOC (8) Cl.** **14-02**

(52) **U.S. Cl.** **D14/356; D14/435**

(58) **Field of Classification Search** D14/137,
D14/156, 167, 240, 242, 299, 348, 356, 384-5,
D14/402, 432-435, 496; 361/685-6; 365/63,
365/131; 439/139-41, 144, 518, 638; 710/62,
710/74

See application file for complete search history.

(56) **References Cited**

U.S. PATENT DOCUMENTS

- D462,952 S * 9/2002 Anderson et al. D14/299
- 6,456,500 B1 * 9/2002 Chen 361/752
- D472,885 S * 4/2003 Kataoka D14/167
- 6,618,243 B1 * 9/2003 Tirosh 361/683
- D494,175 S * 8/2004 Kawasaki D14/384
- D494,969 S * 8/2004 Lin D14/356
- D496,364 S * 9/2004 Saito D14/385

- 6,926,544 B2 * 8/2005 Lee 439/147
- 6,979,210 B2 * 12/2005 Regen et al. 439/131
- D517,522 S * 3/2006 Tajima D14/167
- 7,018,227 B2 * 3/2006 Takahashi 439/347
- D532,776 S * 11/2006 Griffin D14/218
- 2006/0258196 A1 * 11/2006 Chen et al. 439/141

OTHER PUBLICATIONS

USB PDF's: http://img.alibaba.com/photo/11493648/USB_Flash_Drive.jpg. Nov. 16, 2006.*

* cited by examiner

Primary Examiner—Robin Webster

Assistant Examiner—Karen E. Patterson

(74) *Attorney, Agent, or Firm*—Rabin & Berdo, P.C.

(57) **CLAIM**

The ornamental design for a “USB storage device,” as shown and described.

DESCRIPTION

FIG. 1 is a perspective view of USB storage device showing our new design;

FIG. 2 is a front view thereof;

FIG. 3 is a rear view thereof;

FIG. 4 is a left side elevational view thereof;

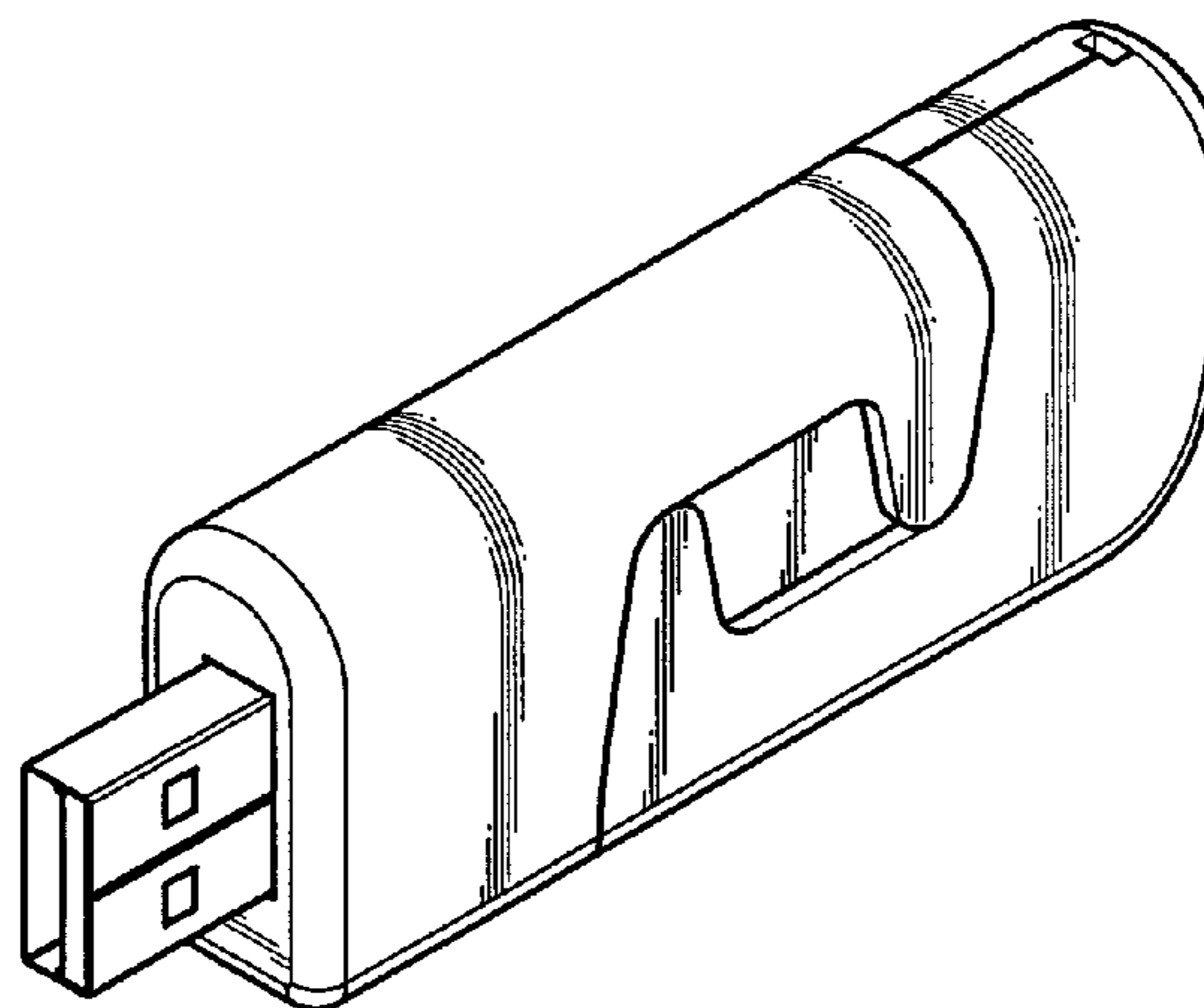
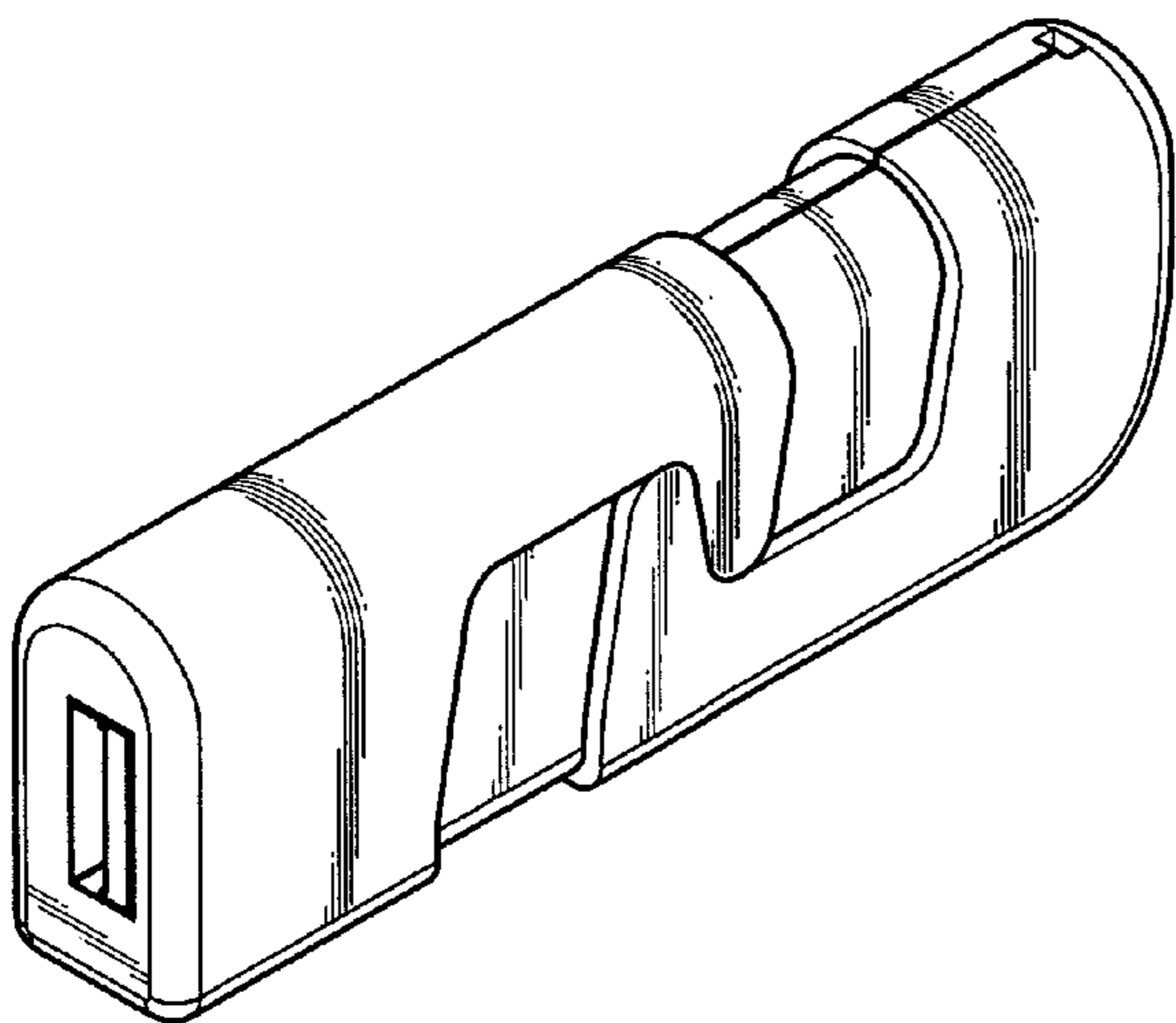
FIG. 5 is a right side elevational view thereof;

FIG. 6 is a top view thereof;

FIG. 7 is a bottom view thereof; and,

FIG. 8 is a perspective view thereof shown in an alternate position.

1 Claim, 5 Drawing Sheets



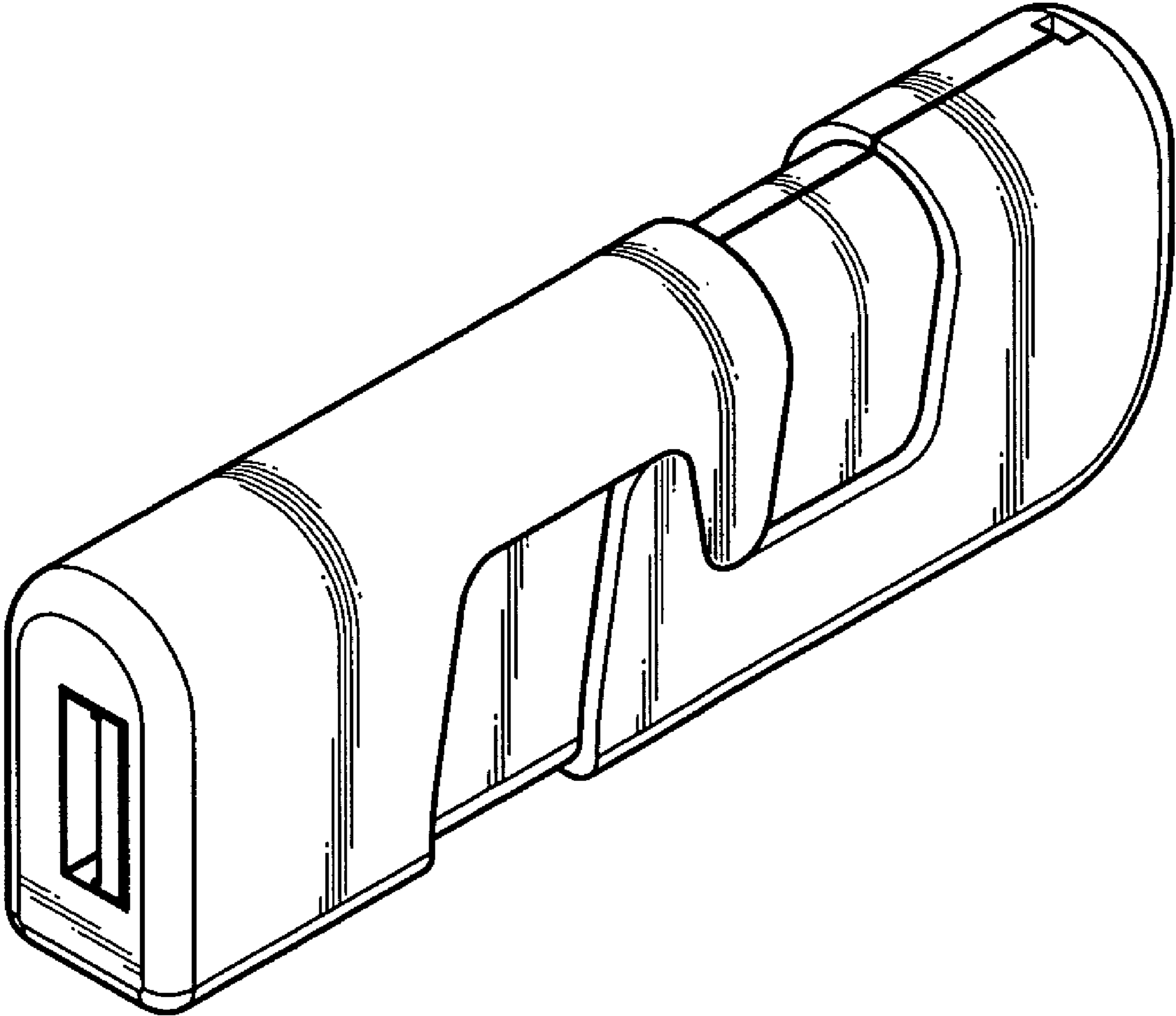


FIG.1

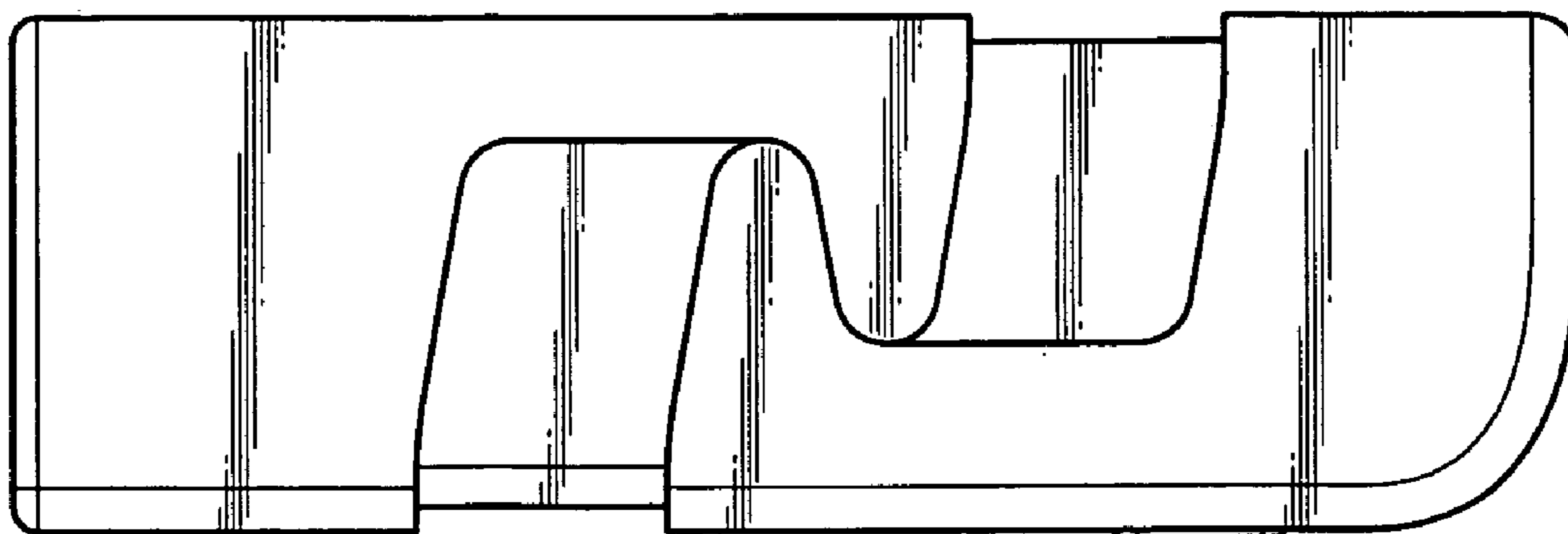


FIG. 2

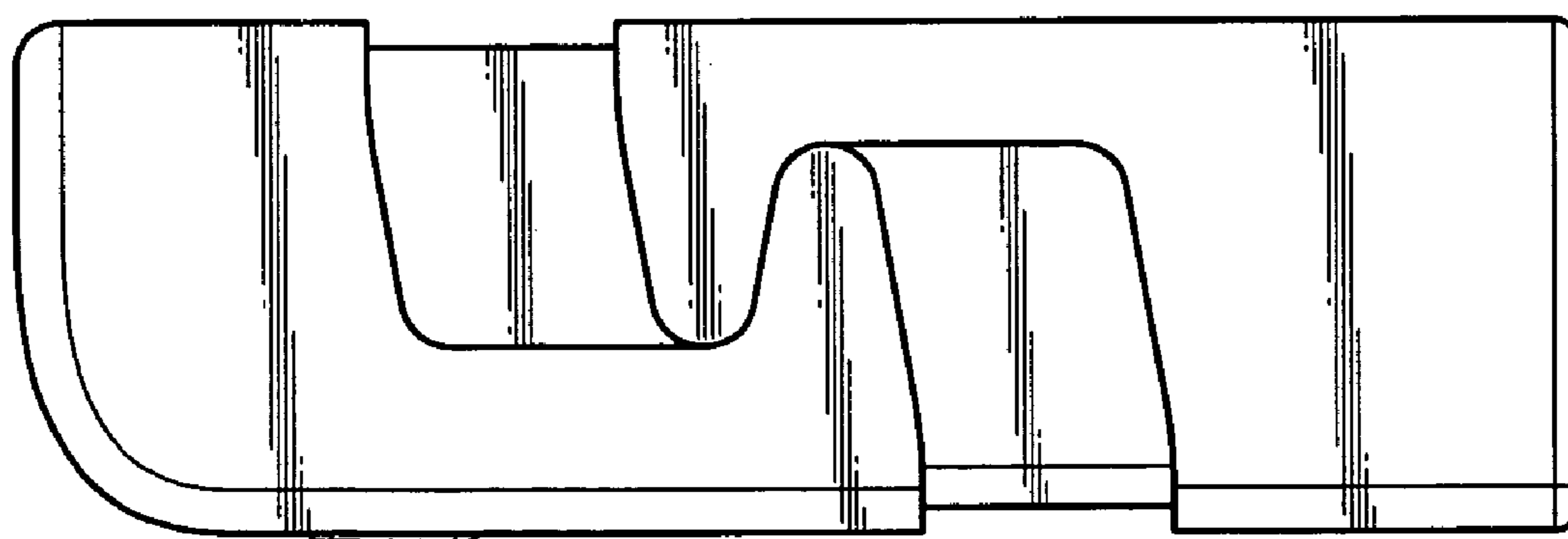


FIG. 3

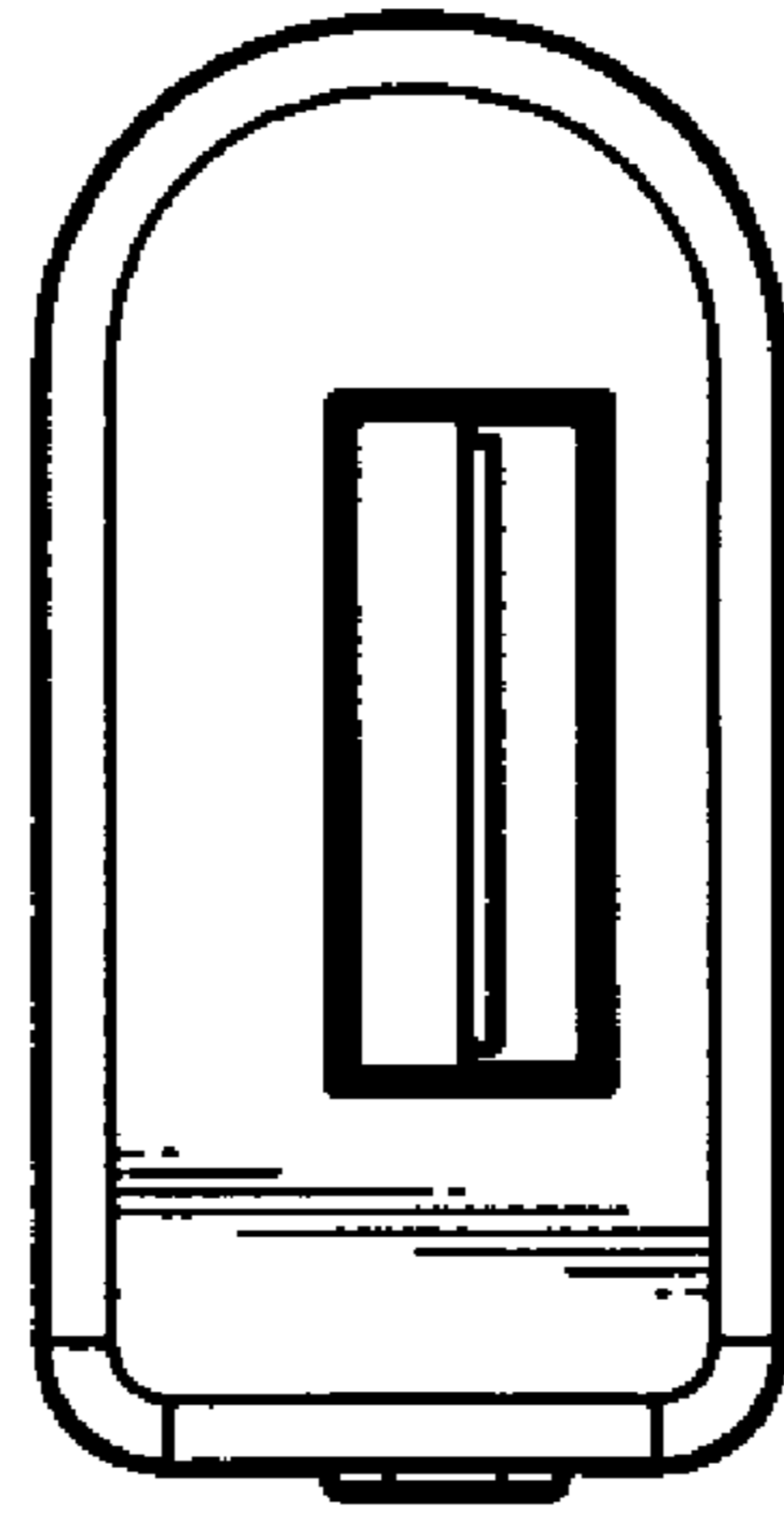


FIG. 4

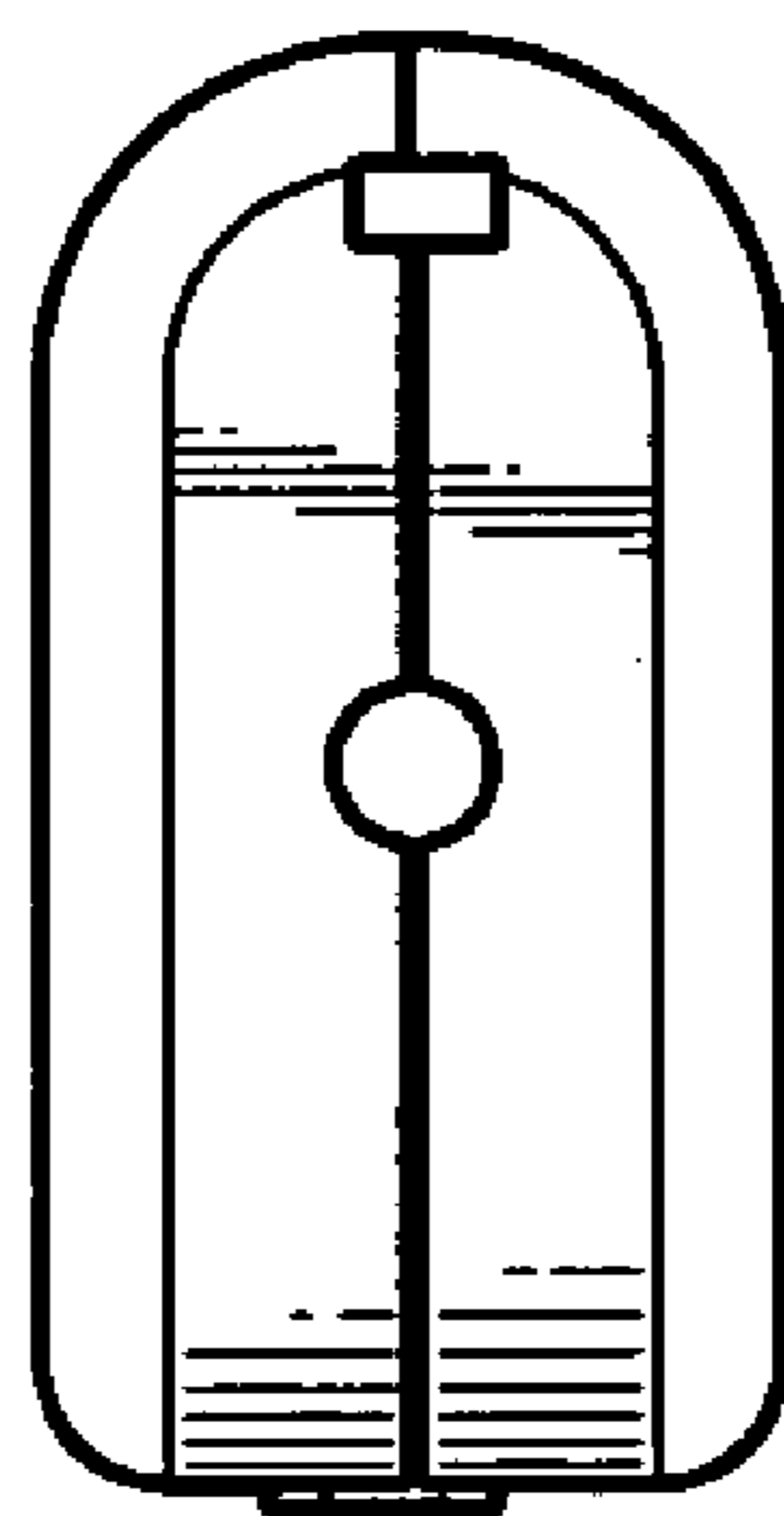


FIG. 5

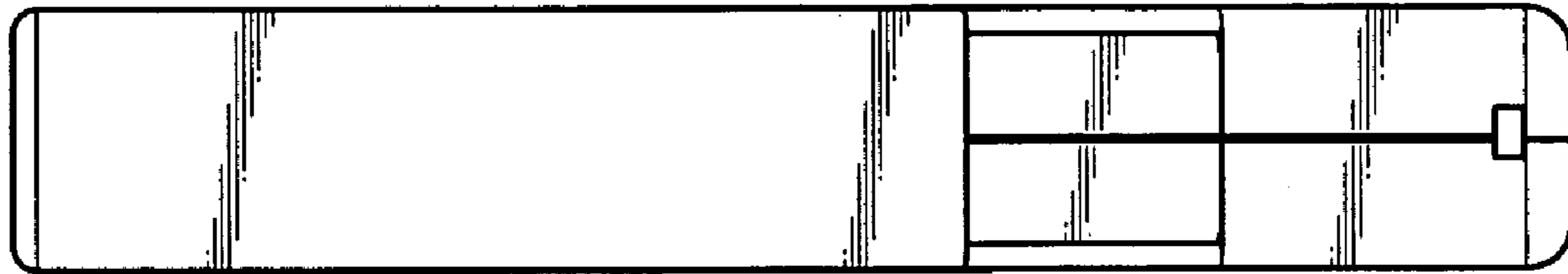


FIG. 6

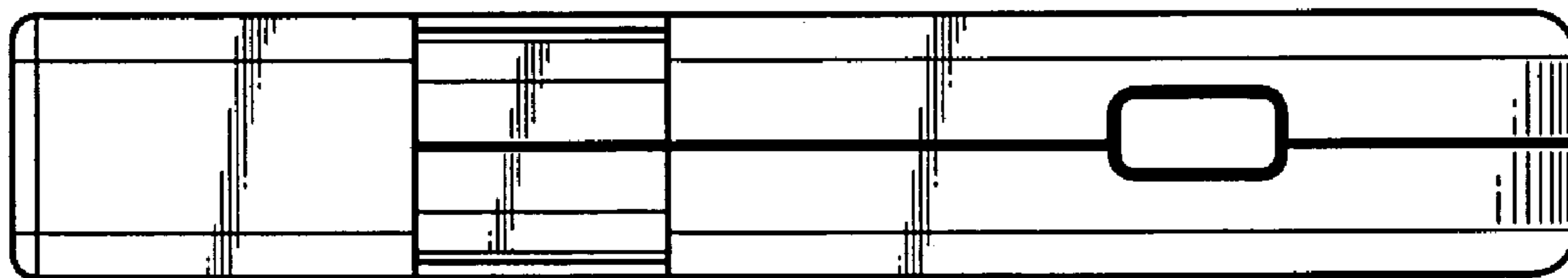


FIG. 7

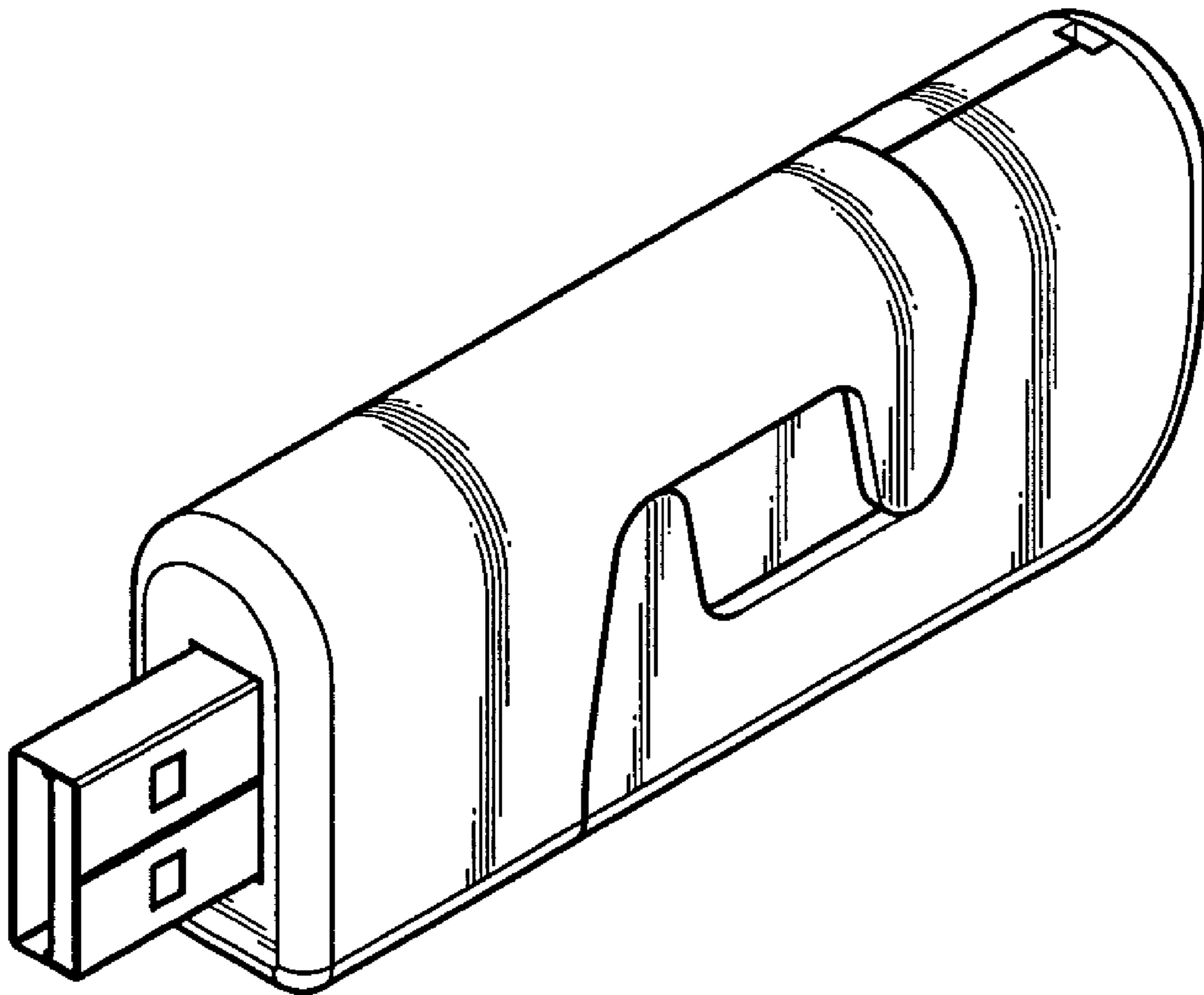


FIG. 8