

US00D547310S

(12) **United States Design Patent**
Yoon

(10) **Patent No.:** **US D547,310 S**
(45) **Date of Patent:** **** Jul. 24, 2007**

(54) **NOTEBOOK COMPUTER**

(75) Inventor: **Sang-Won Yoon**, Seoul (KR)

(73) Assignee: **Samsung Electronics Co., Ltd.**,
Kyunggi-do (KR)

(**) Term: **14 Years**

(21) Appl. No.: **29/258,110**

(22) Filed: **Apr. 17, 2006**

(51) **LOC (8) Cl.** **14-02**

(52) **U.S. Cl.** **D14/315**

(58) **Field of Classification Search** D14/315-328;
D18/1, 2, 7, 11; 235/145 A, 145 R; 341/22,
341/23; 345/104, 156, 168, 169, 173, 87,
345/901-905; 361/680-686; 400/486, 489
See application file for complete search history.

(56) **References Cited**

U.S. PATENT DOCUMENTS

D335,870 S	5/1993	Yun	
D336,465 S	6/1993	Kim	
D338,457 S	8/1993	Kim	
D348,442 S	7/1994	Yoon	
D384,043 S *	9/1997	Tamaki	D14/318
D425,874 S *	5/2000	Tanimura	D14/318
D431,821 S *	10/2000	Mizuno	D14/318
D466,498 S *	12/2002	Wang	D14/318
D492,678 S	7/2004	Kim et al.	
6,876,546 B2 *	4/2005	Tsao	361/683
D504,683 S *	5/2005	Kim et al.	D14/315

OTHER PUBLICATIONS

U.S. Appl. No. 29/231,249, Applicant: Seung-Hyun Paek, et al.,
filed Jun. 2, 2005 entitled Notebook Computer.

U.S. Appl. No. 29/235,000, Applicant: Yeo-Wan Yun, et al., filed
Jul. 26, 2005 entitled Notebook Computer.
U.S. Appl. No. 29/236,252, Applicant: Eun-Young Kim, et al., filed
Aug. 12, 2005 entitled Notebook Computer.
U.S. Appl. No. 29/236,253, Applicant: Sang-Won Yoon, filed Aug.
12, 2005 entitled Notebook Computer.
U.S. Appl. No. 29/236,254, Applicant: Tae-Woo Kim, et al., filed
Aug. 12, 2005 entitled Notebook Computer.
U.S. Appl. No. 29/236,251, Applicant: Seung-Wook Jeong, et al.,
filed Aug. 12, 2005 entitled Notebook Computer.
U.S. Appl. No. 29/240,580, Applicant: Se-O Lee, et al., filed Oct.
14, 2005 entitled Notebook Computer.
U.S. Appl. No. 29/258,109, Applicant: Sang-Won Yoon, filed Apr.
17, 2006 entitled Notebook Computer.

* cited by examiner

Primary Examiner—Freda S. Nunn
(74) *Attorney, Agent, or Firm*—Flynn, Thiel, Boutell &
Tanis, P.C.

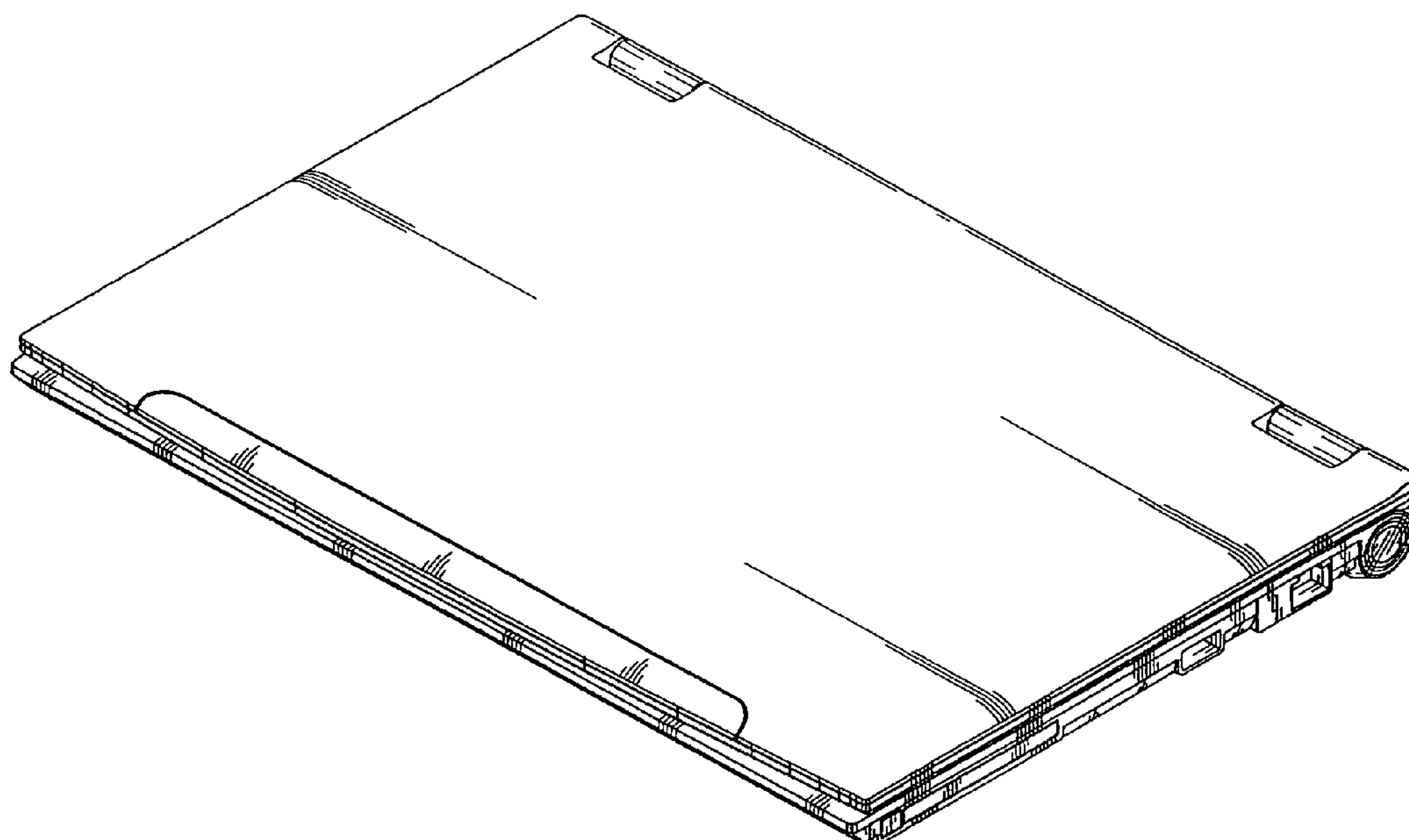
(57) **CLAIM**

The ornamental design for a notebook computer, as shown
and described.

DESCRIPTION

FIG. 1 is a top front perspective view of a notebook
computer showing our new design;
FIG. 2 is a front elevational view thereof;
FIG. 3 is a rear elevational view thereof;
FIG. 4 is a left side elevational view thereof;
FIG. 5 is a right side elevational view thereof;
FIG. 6 is a top plan view thereof; and,
FIG. 7 is a bottom plan view thereof.

1 Claim, 4 Drawing Sheets



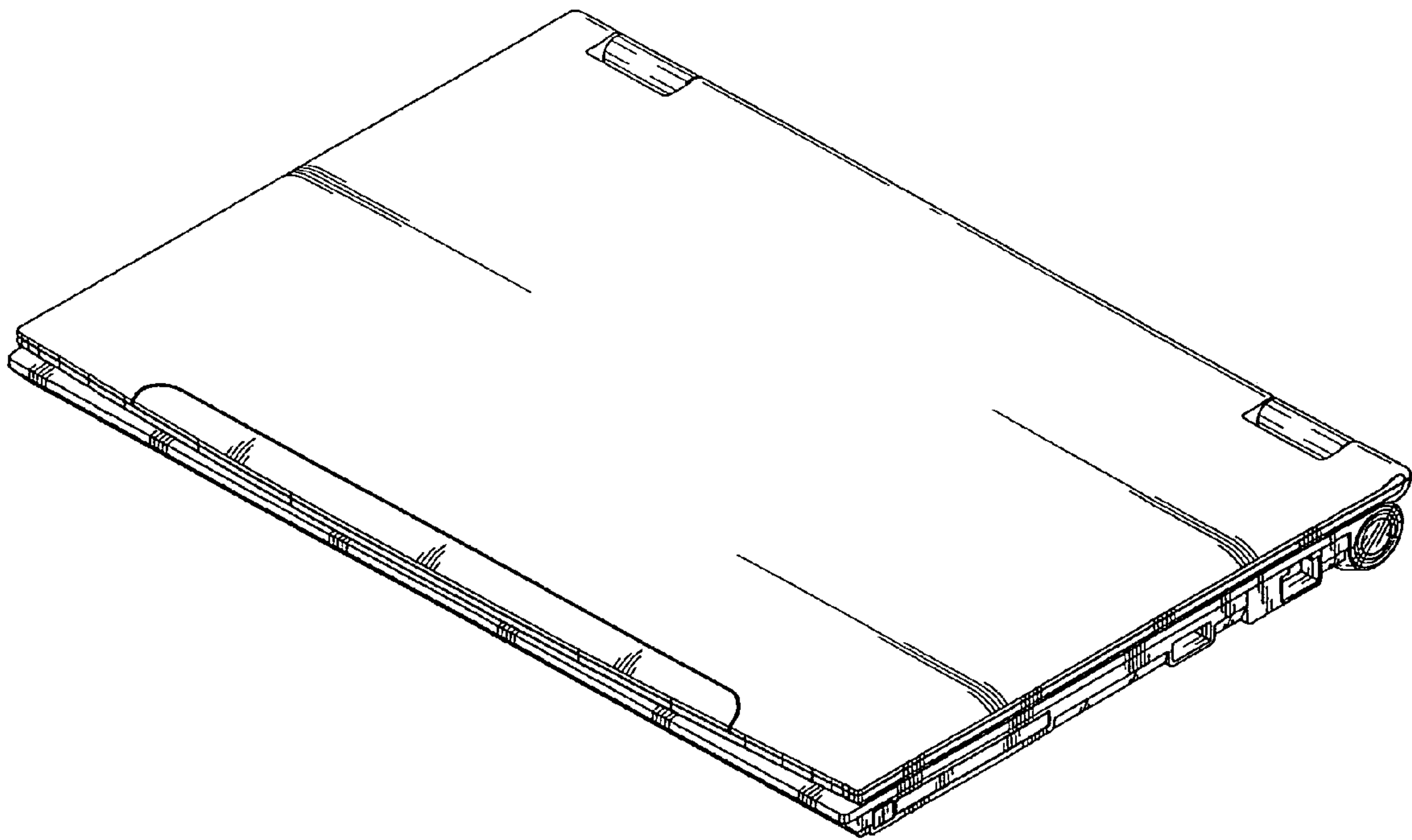


FIG. 1



FIG. 2

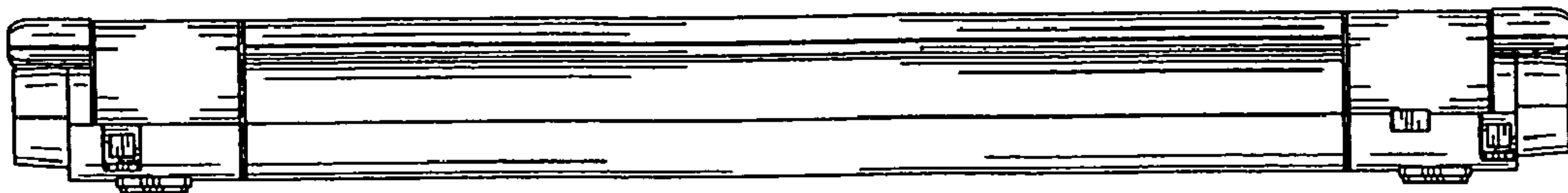


FIG. 3

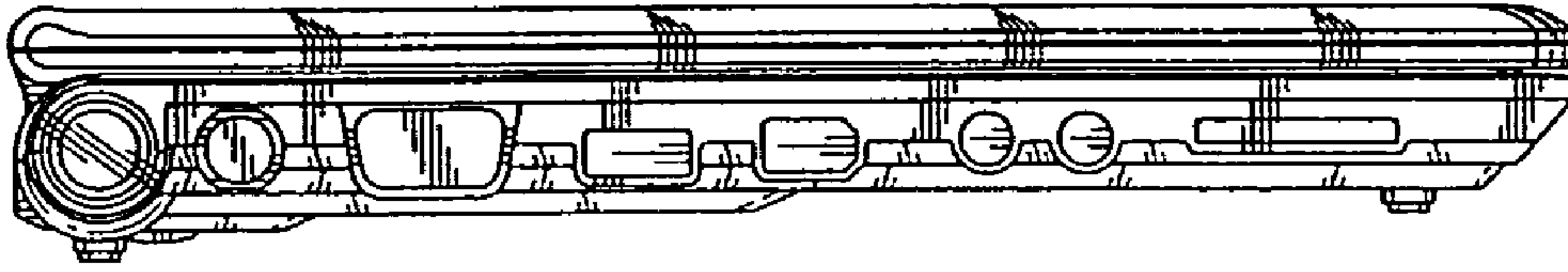


FIG. 4



FIG. 5

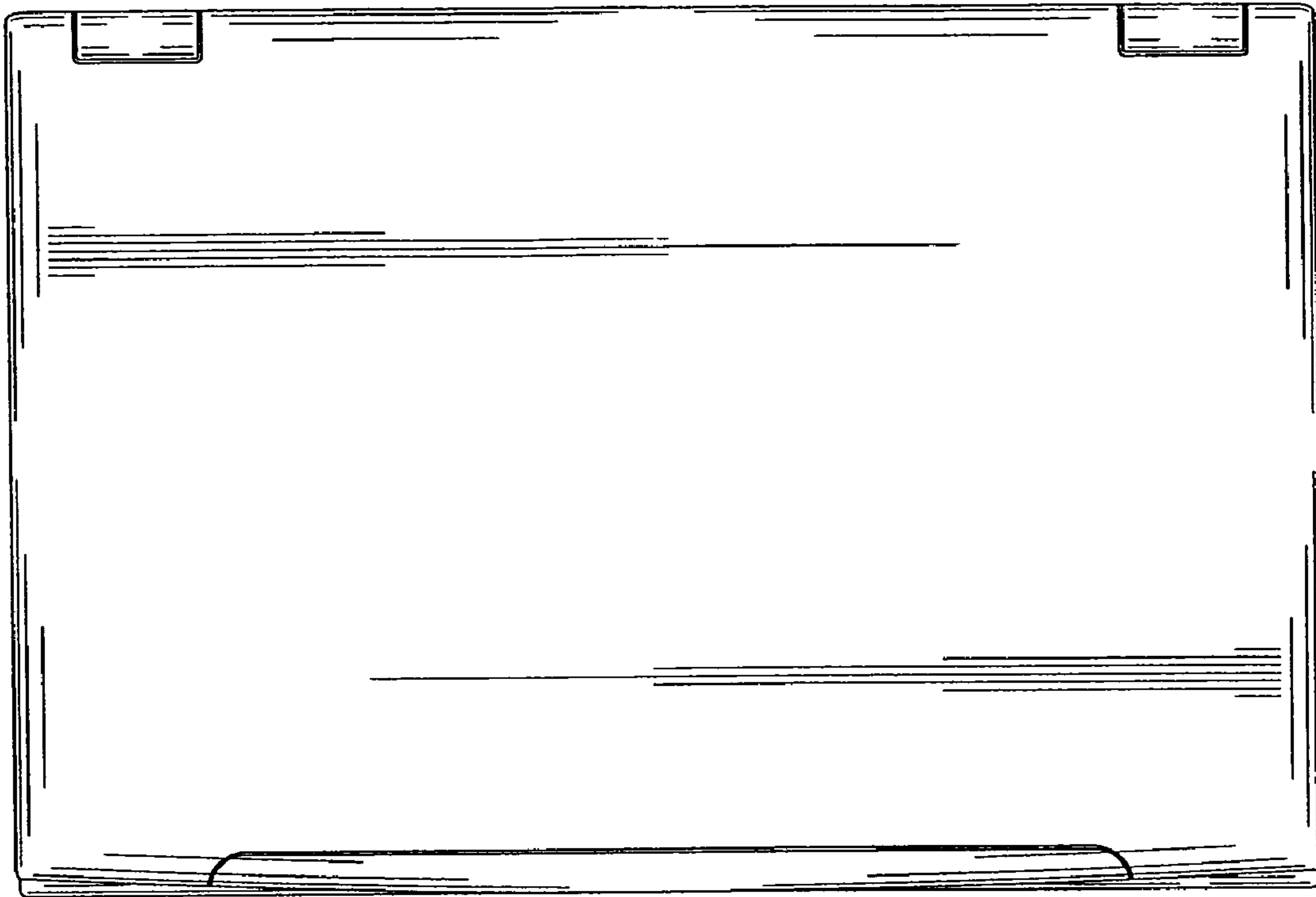


FIG. 6

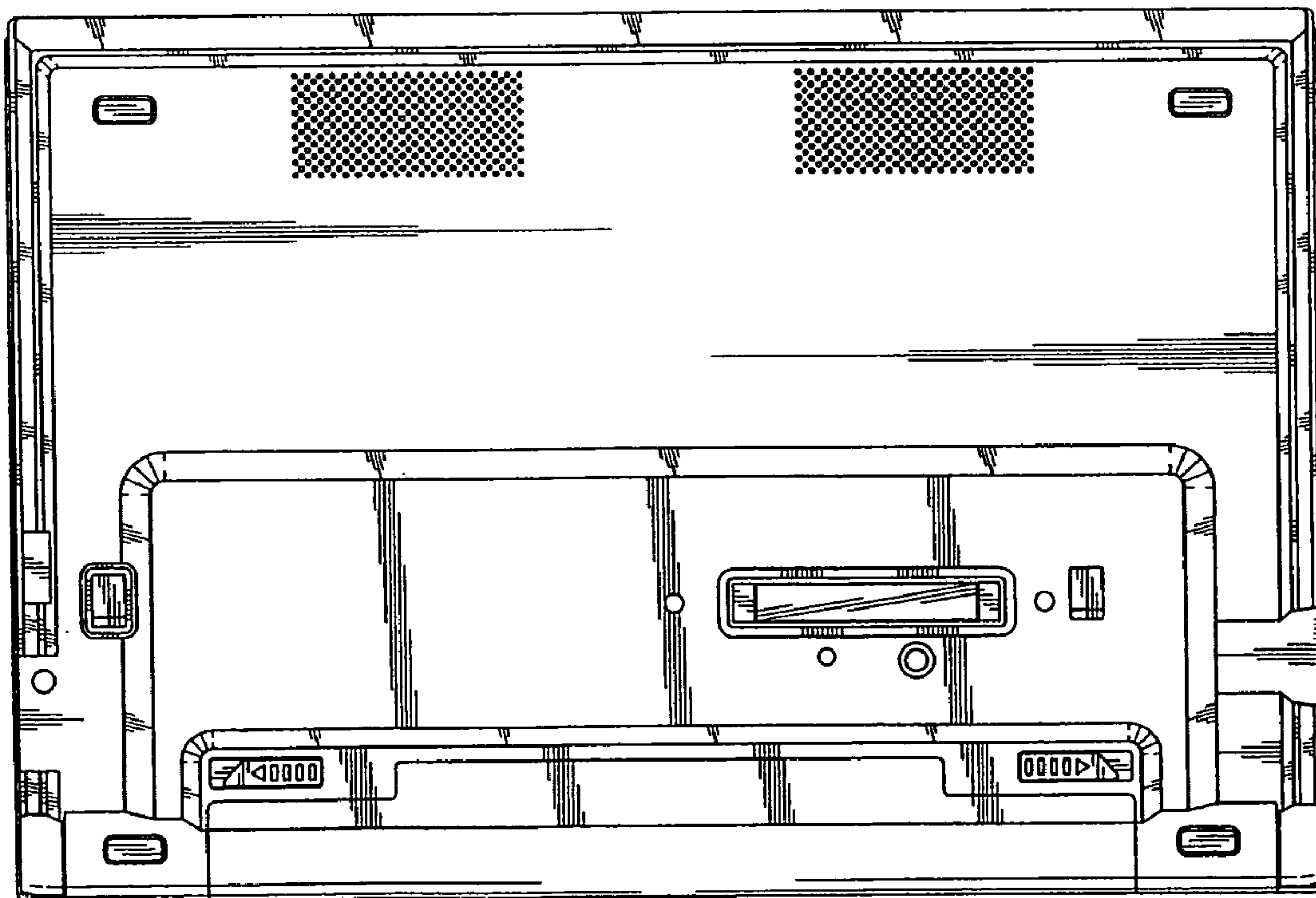


FIG. 7