

US00D547308S

(12) **United States Design Patent**  
**Aihara**

(10) **Patent No.:** **US D547,308 S**

(45) **Date of Patent:** **\*\* Jul. 24, 2007**

(54) **INSTRUMENT PANEL FOR AUTOMOBILE  
DIGITAL AUDIO DISK PLAYER AND  
NAVIGATION SYSTEM**

D517,538 S \* 3/2006 Chen et al. .... D14/257  
D518,038 S \* 3/2006 Aono et al. .... D14/258

**FOREIGN PATENT DOCUMENTS**

(75) **Inventor:** **Kazuhiro Aihara**, Kanagawa (JP)

JP 820275 \* 10/1991

(73) **Assignee:** **Matsushita Electric Industrial Co.,  
Ltd.**, Osaka (JP)

JP 914619 \* 12/1994

(\*\*) **Term:** **14 Years**

JP D1044003 \* 7/1999

(21) **Appl. No.:** **29/244,995**

JP D 1067244 4/2000

(22) **Filed:** **Dec. 16, 2005**

JP D 1172202 4/2003

(51) **LOC (8) Cl.** ..... **14-01**

JP D1174547 \* 6/2003

(52) **U.S. Cl.** ..... **D14/258**

JP D 1178918 7/2003

(58) **Field of Classification Search** ..... D14/445,  
D14/444, 450, 126, 443, 441, 258, 257, 240,  
D14/188, 137, 136; D13/184; D10/113, 65;  
455/90.2, 348, 347; 361/814; 340/430; 342/357.1;  
701/206, 209

JP D 1214351 8/2004

JP D 1225176 12/2004

JP D 1230780 2/2005

JP D 1243108 6/2005

See application file for complete search history.

\* cited by examiner

*Primary Examiner*—Cathron C. Brooks

(74) *Attorney, Agent, or Firm*—Brinks Hofer Gilson &  
Lione

(56) **References Cited**

**CLAIM**

(57)

I claim the ornamental design for an instrument panel for  
automobile digital audio disk player and navigation system,  
as shown and described.

**U.S. PATENT DOCUMENTS**

**DESCRIPTION**

5,953,302 A	9/1999	Kobayashi	
D415,491 S	10/1999	Yano et al.	
D421,007 S	2/2000	Nagai	
D427,591 S	* 7/2000	Burghoff et al.	D14/258
D430,552 S	9/2000	Nose	
D430,562 S	* 9/2000	Richards	D14/258
D438,849 S	* 3/2001	Adachi et al.	D14/126
D444,146 S	* 6/2001	Weiland et al.	D14/258
D450,678 S	11/2001	Mizokawa et al.	
D453,481 S	* 2/2002	Schoenfish	D10/74
D454,882 S	* 3/2002	Jung	D14/450
D459,667 S	* 7/2002	Kataoka	D10/80
D468,276 S	* 1/2003	Chang	D14/126
D468,285 S	1/2003	Mizokawa	
D501,185 S	* 1/2005	Sato et al.	D14/126
D507,785 S	* 7/2005	Mizokawa	D14/126
D514,003 S	* 1/2006	Kim	D10/65

FIG. 1 is a top perspective view of an instrument panel for  
automobile digital audio disk player and navigation system  
of the present invention;  
FIG. 2 is a front view thereof;  
FIG. 3 is a first side view thereof;  
FIG. 4 is a second side view thereof;  
FIG. 5 is a top view thereof;  
FIG. 6 is a bottom view thereof;  
FIG. 7 is a rear view thereof; and,  
FIG. 8 is a top perspective view thereof, wherein the panel  
portion is in the open position.  
The broken lines shown in the drawings form no part of the  
claimed design.

**1 Claim, 5 Drawing Sheets**

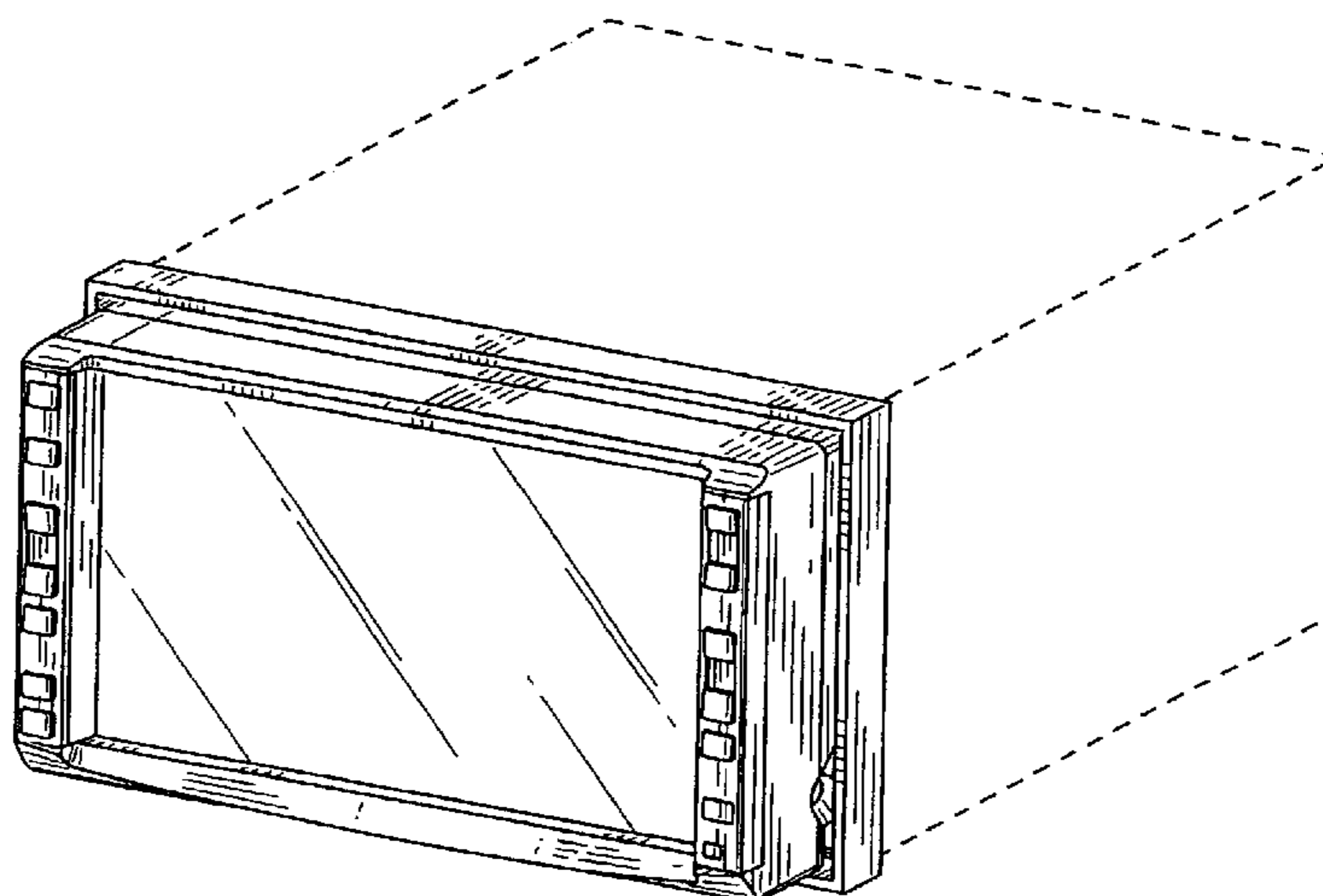


FIG. 1

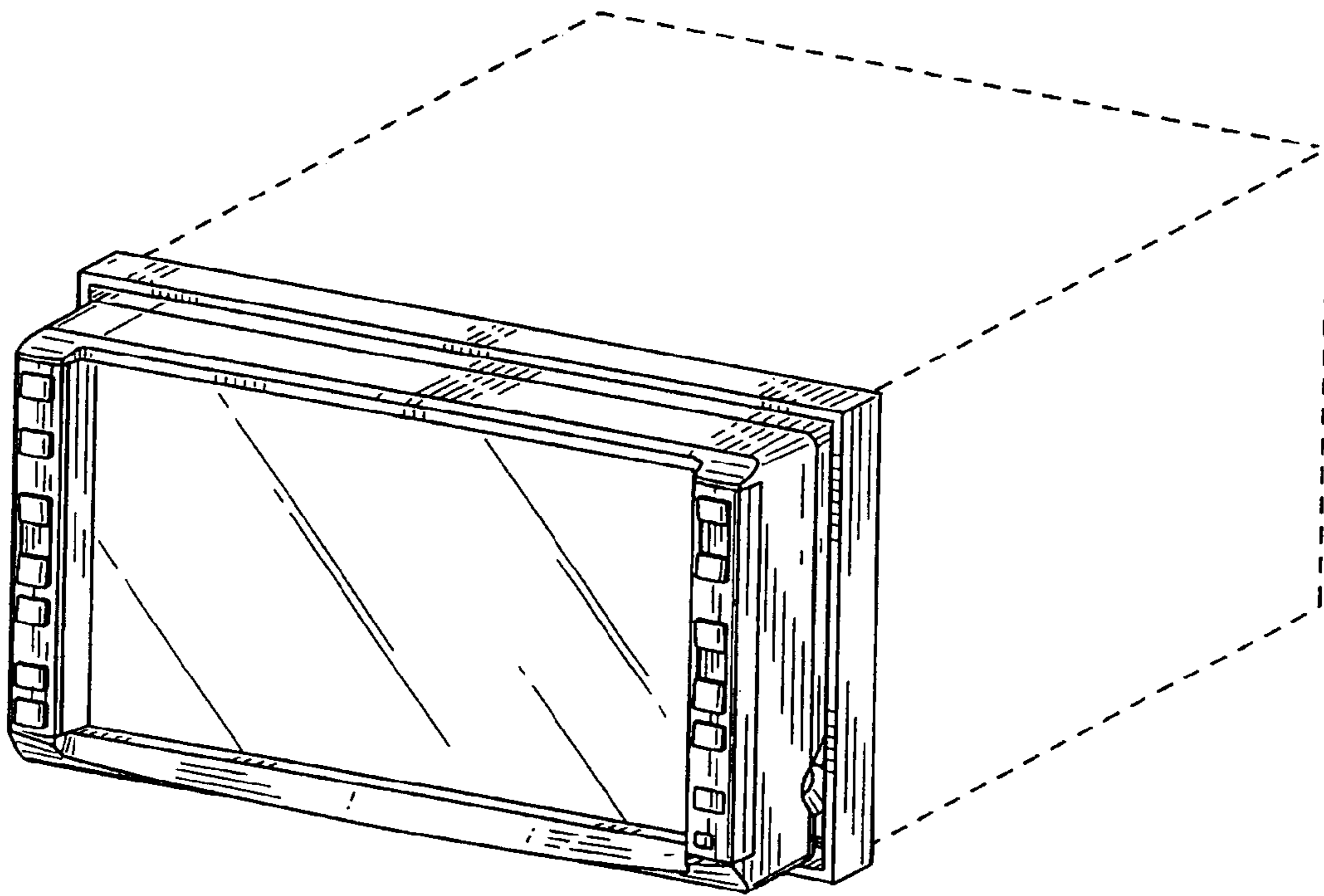


FIG.2

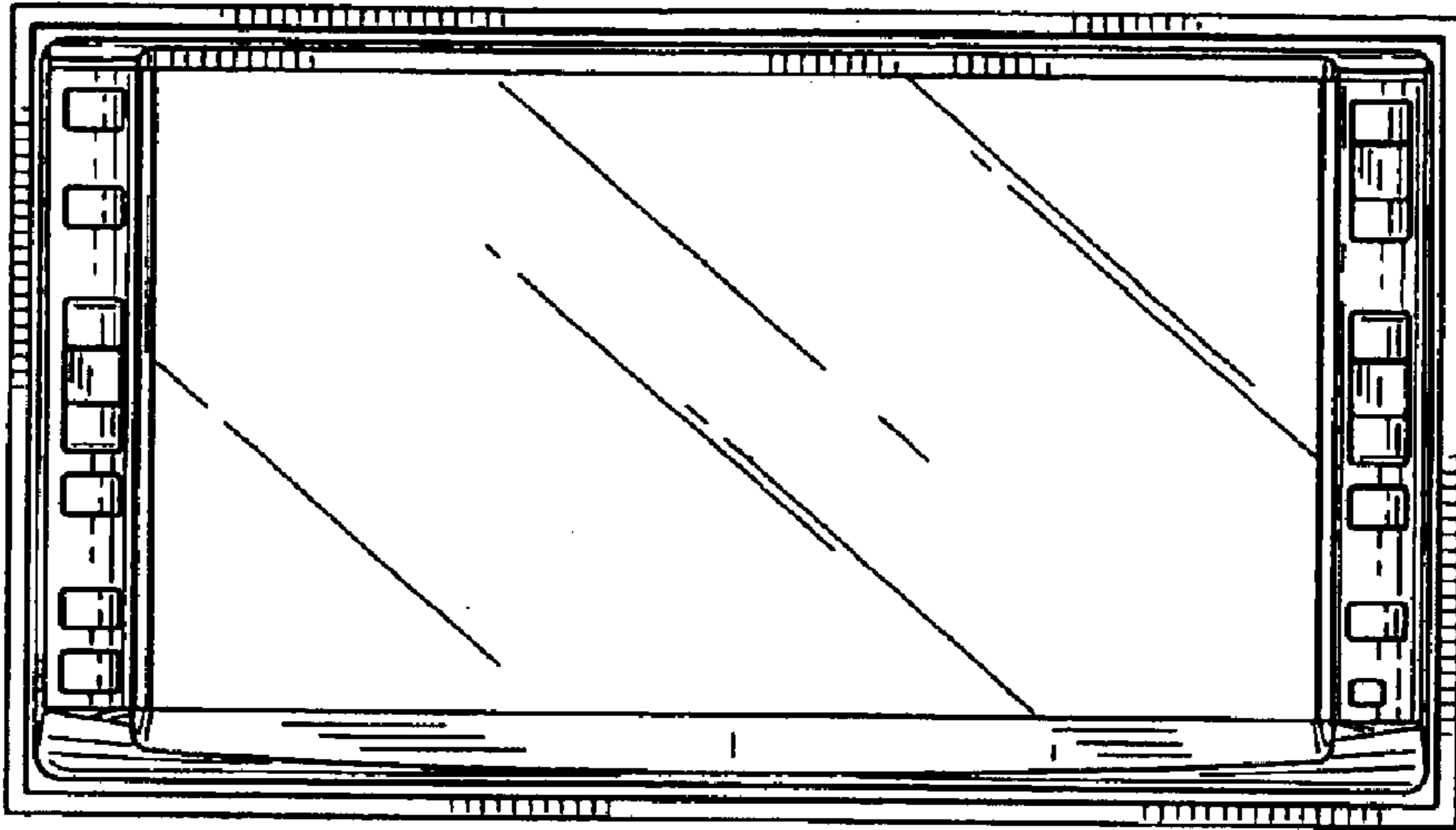
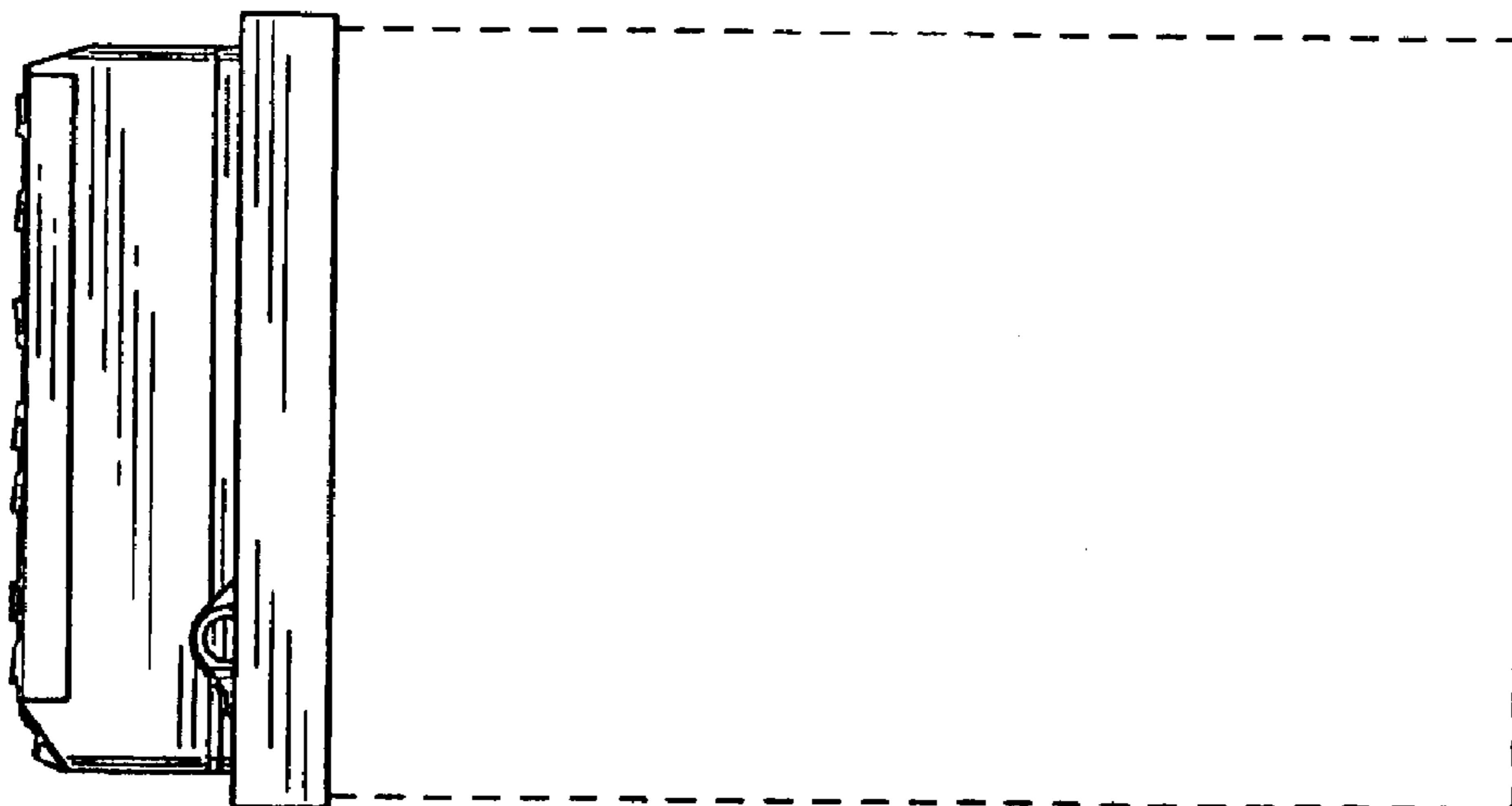
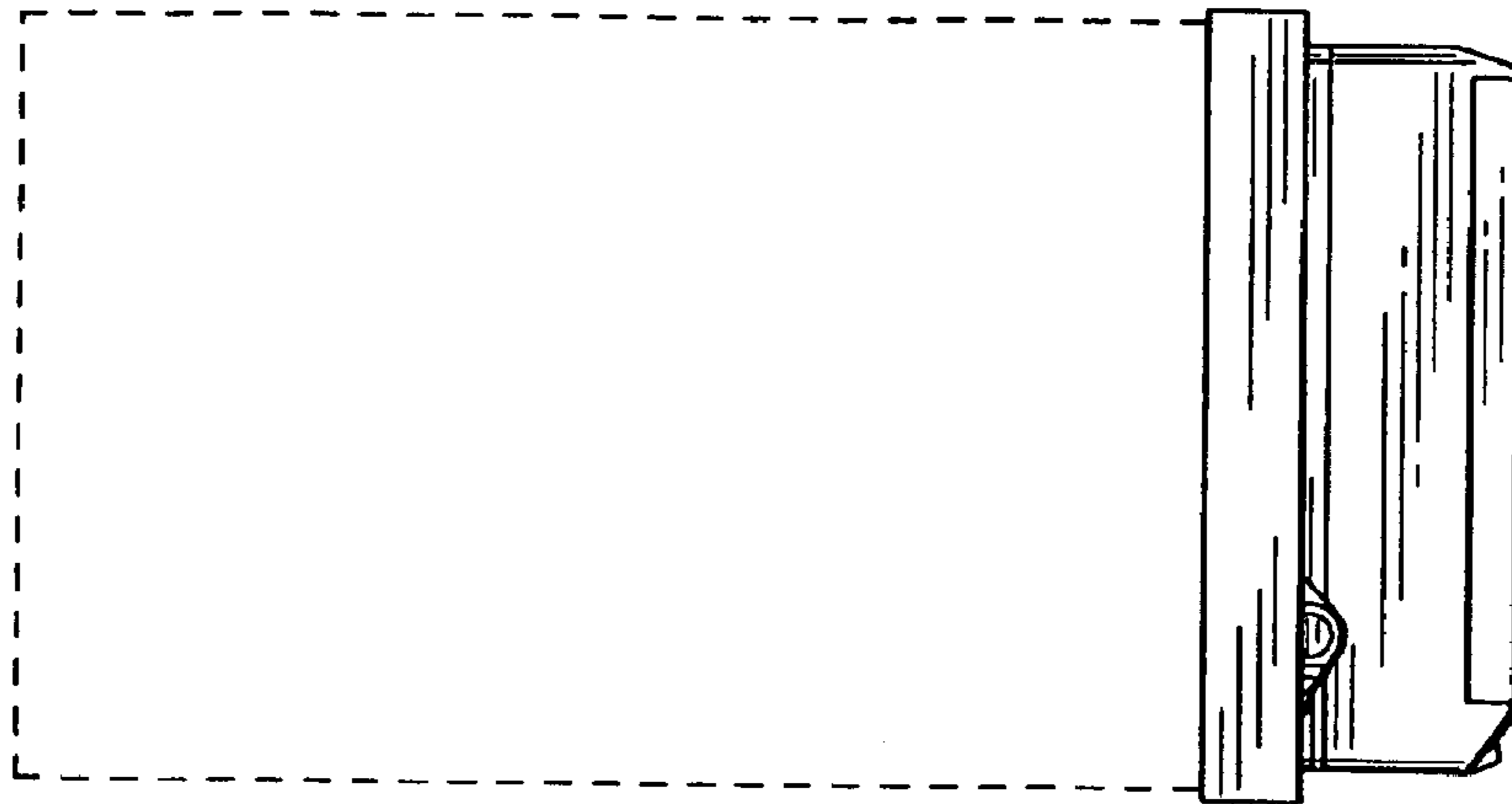


FIG.3



*FIG.4*



*FIG.5*

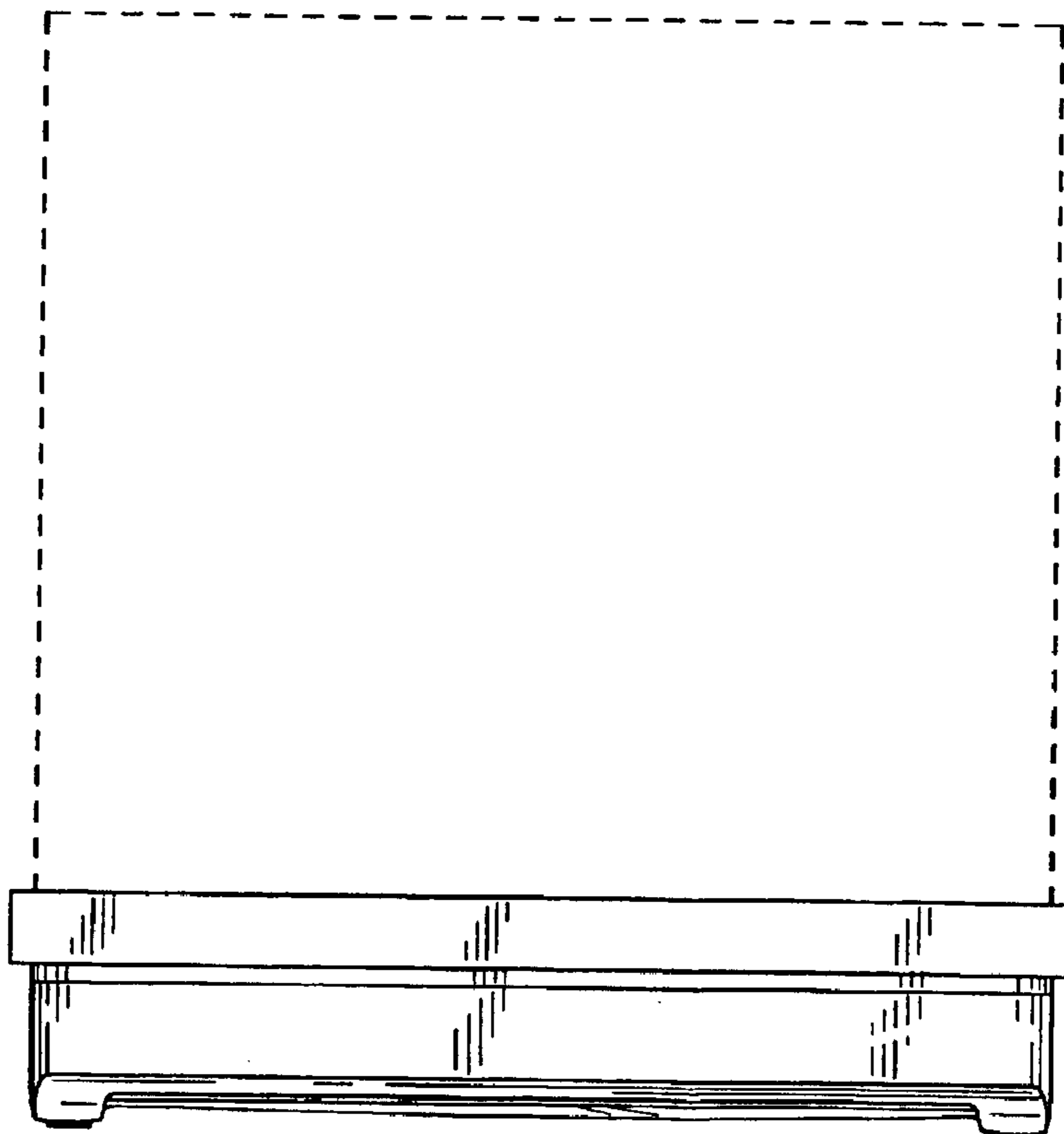


FIG.6

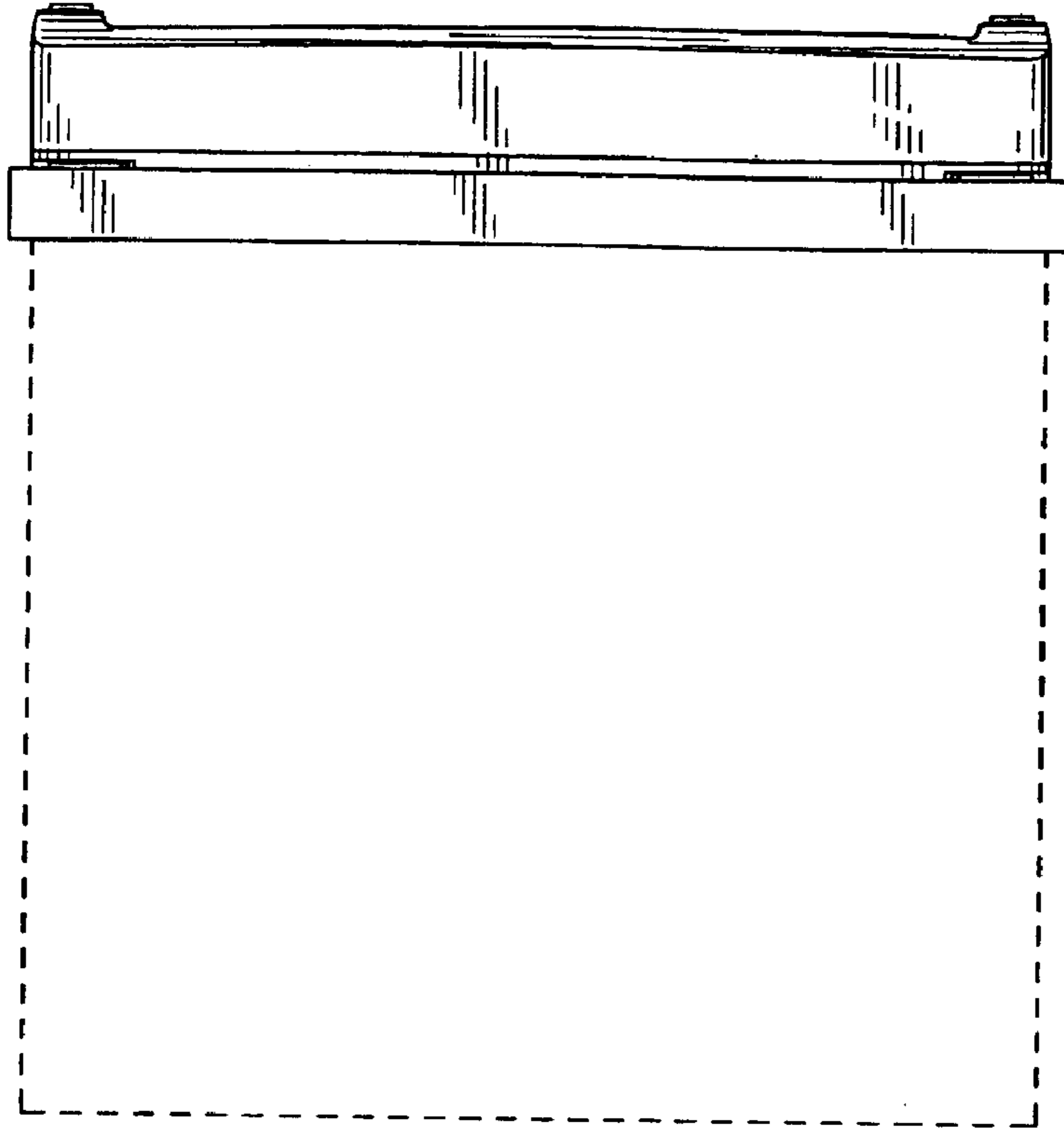


FIG.7

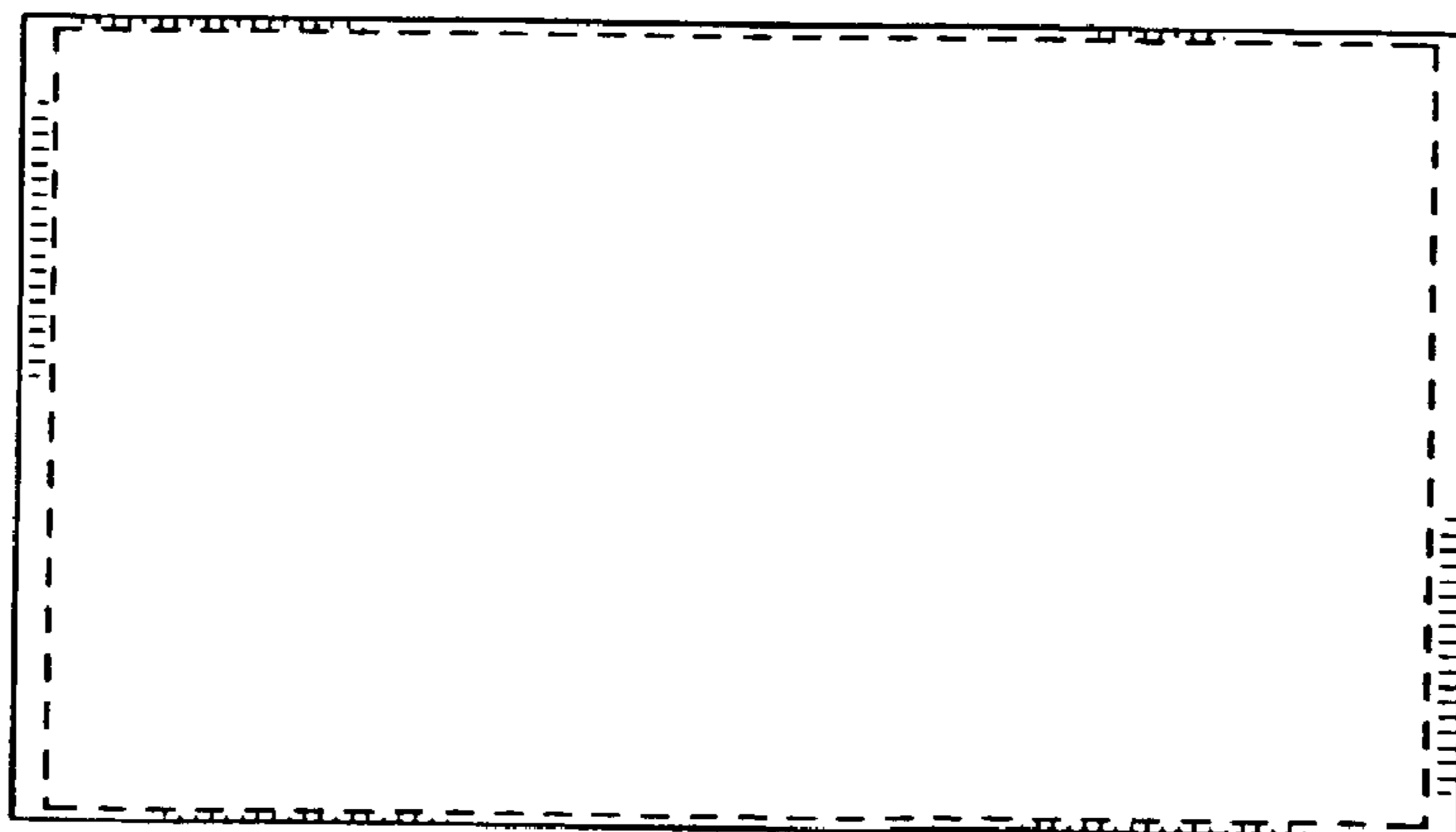


FIG. 8

