

US00D547307S

(12) **United States Design Patent**
Ogren

(10) **Patent No.:** **US D547,307 S**
(45) **Date of Patent:** **** Jul. 24, 2007**

(54) **FRONT FACE OF A TELECOMMUNICATIONS MODULE**

(75) Inventor: **Bruce Ogren**, Edina, MN (US)

(73) Assignee: **ADC Telecommunications, Inc.**, Eden Prairie, MN (US)

(**) Term: **14 Years**

(21) Appl. No.: **29/262,281**

(22) Filed: **Jun. 28, 2006**

Related U.S. Application Data

(63) Continuation of application No. 29/171,999, filed on Dec. 3, 2002, now Pat. No. Des. 526,645.

(51) **LOC (8) Cl.** **14-03**

(52) **U.S. Cl.** **D14/240**

(58) **Field of Classification Search** D14/240,
D14/217, 140, 299, 257, 301; D13/184;
333/109, 110; 439/717, 741; 379/413.02,
379/347

See application file for complete search history.

(56) **References Cited**

U.S. PATENT DOCUMENTS

3,177,302 A	4/1965	Fingerle, Jr.	
4,433,313 A	2/1984	Saint et al.	
4,749,968 A	6/1988	Burroughs	
D318,279 S	7/1991	Laiacona et al.	
5,158,470 A	10/1992	Zarrei	
5,326,285 A	7/1994	Maros	
5,348,491 A	9/1994	Louwagie et al.	
5,592,545 A	1/1997	Ho et al.	
5,638,035 A	6/1997	Romerein et al.	
D399,846 S *	10/1998	Beggs	D14/217
D404,018 S	1/1999	Tucker et al.	
5,909,155 A	6/1999	Anderson et al.	

5,926,076 A	7/1999	Johnson et al.	
5,955,930 A	9/1999	Anderson et al.	
D438,194 S *	2/2001	Miyazaki	D14/217
D440,558 S *	4/2001	Fishman	D14/217
D473,543 S *	4/2003	Powell et al.	D14/217
6,545,562 B2	4/2003	Loeffelholz et al.	
D492,292 S	6/2004	Ogren	
D495,321 S	8/2004	Ogren	
D503,399 S *	3/2005	Ogren	D14/240
D526,645 S	8/2006	Ogren	

OTHER PUBLICATIONS

Brochure "ADC's RF Worx™ RF Distribution And Management Products," *ADC Telecommunications*, pp. 2-10 (Dec. 1996).
DSX3R System DSX3R-440 Panels Installation and Cabling, Avaya Inc. Instruction Sheet, Issue 6 (Sep. 2001).

* cited by examiner

Primary Examiner—Charles A. Rademaker

(74) *Attorney, Agent, or Firm*—Merchant & Gould P.C.

(57) **CLAIM**

The ornamental design for the front face of a telecommunications module, as shown and described.

DESCRIPTION

FIG. 1 is a front, perspective view of a front face of a telecommunications module showing my new design;

FIG. 2 is a front elevation view thereof;

FIG. 3 is a top plan view thereof;

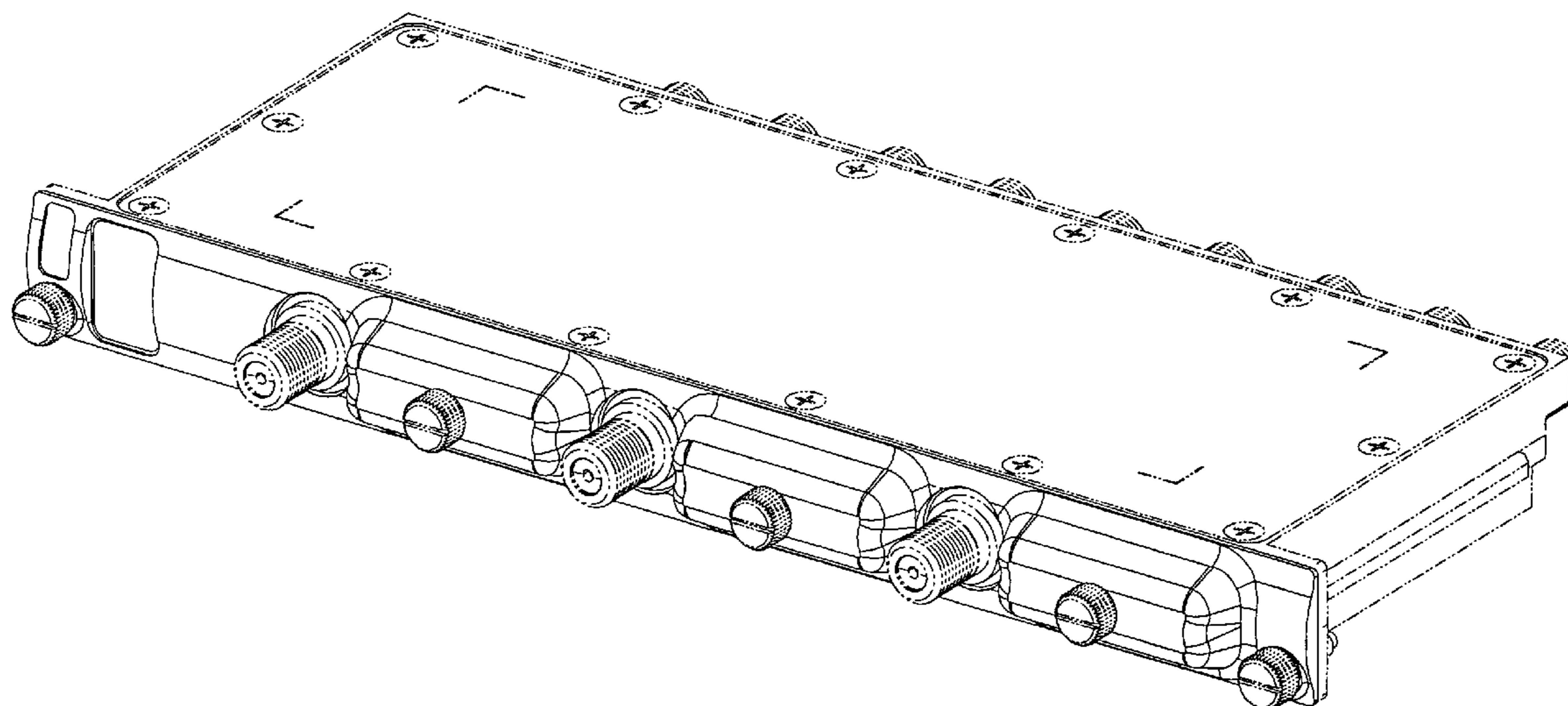
FIG. 4 is a bottom plan view thereof;

FIG. 5 is a right end elevation view thereof; and,

FIG. 6 is a left end elevation view thereof.

The broken line showing of environment in the figure drawings is for illustrative purposes only and forms no part of the claimed design.

1 Claim, 5 Drawing Sheets



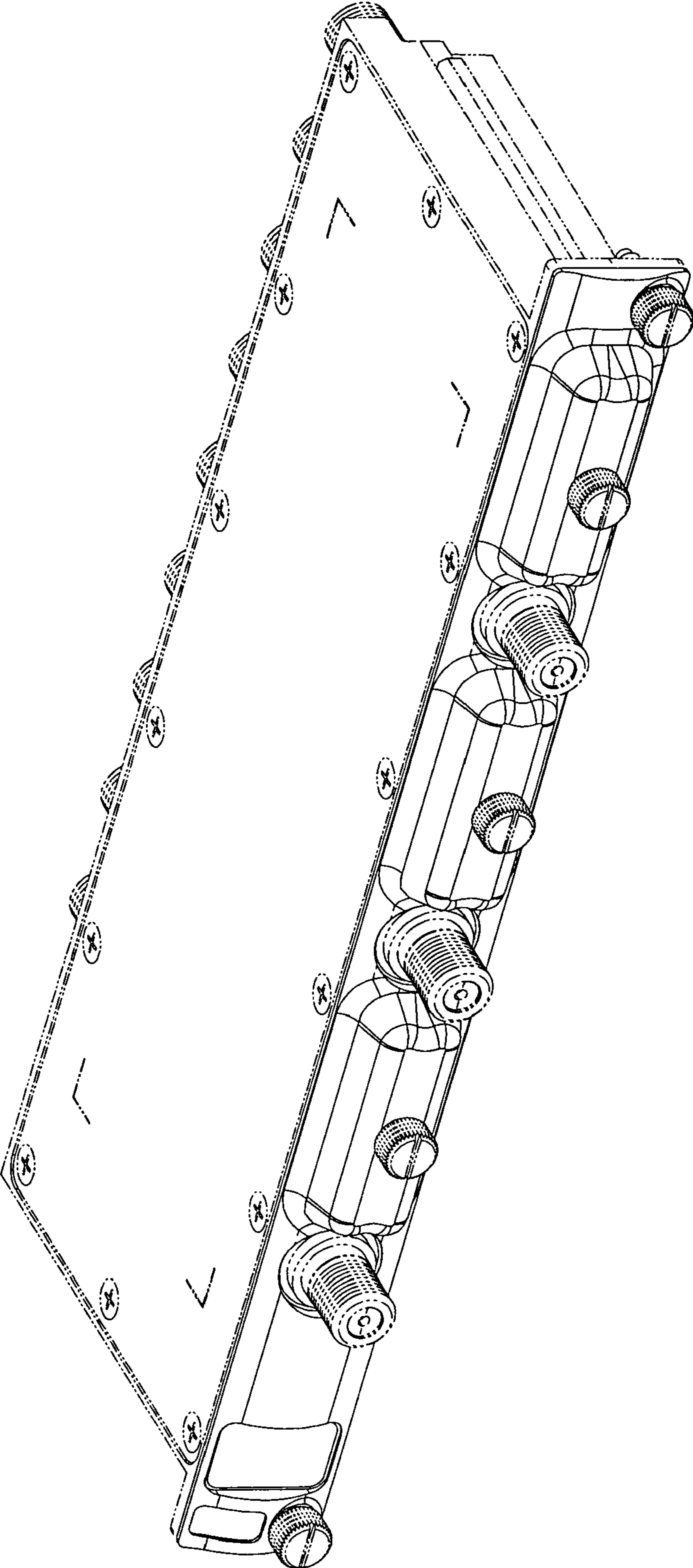


FIG. 1

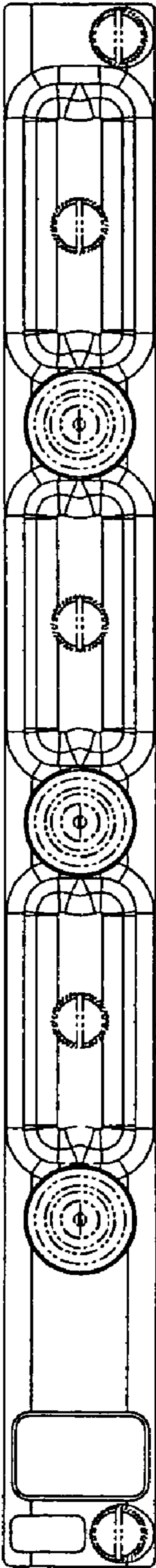


FIG. 2

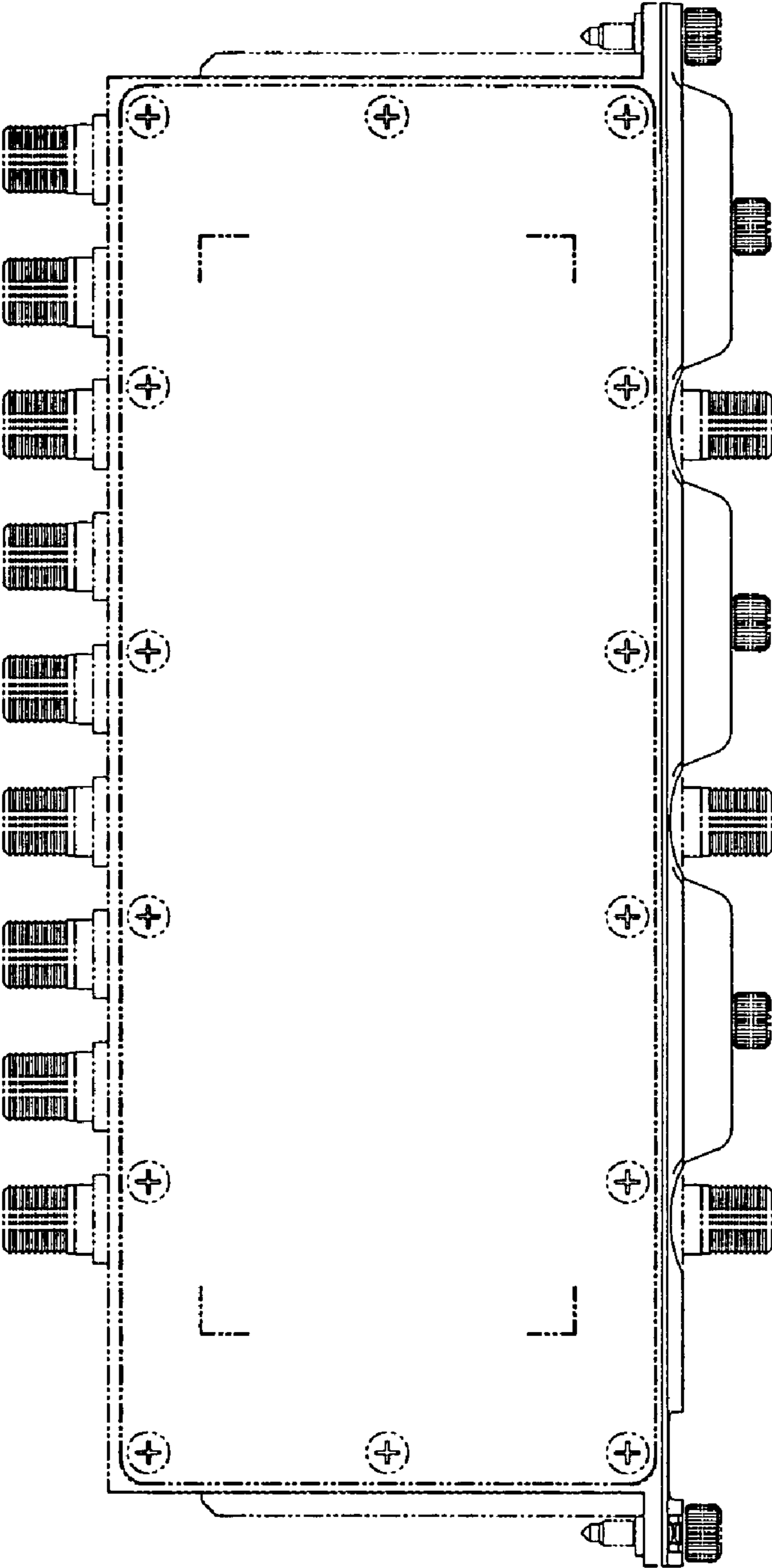


FIG. 3

FIG. 4

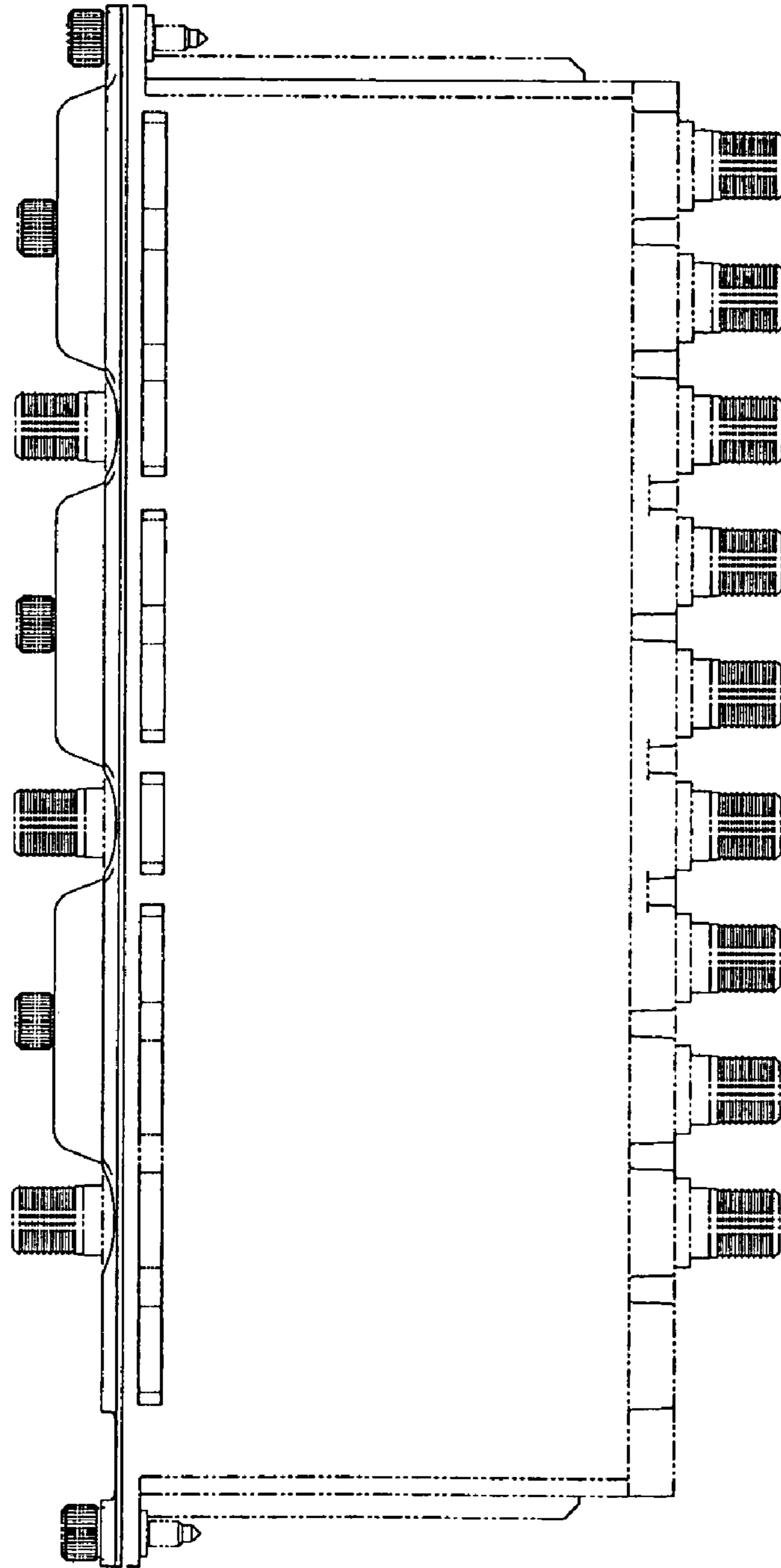


FIG. 5

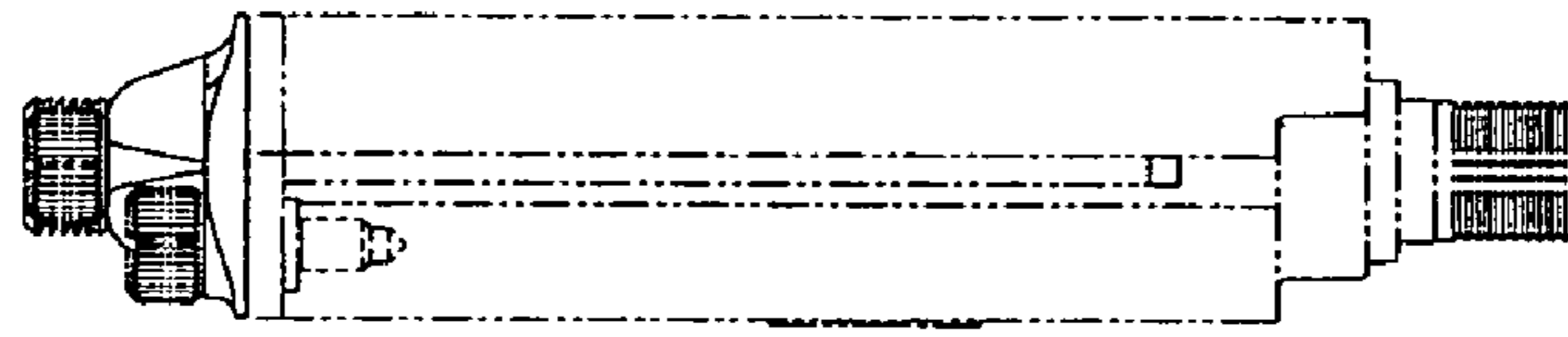


FIG. 6

