



US00D547305S

(12) **United States Design Patent**
Sugiyama et al.

(10) **Patent No.:** **US D547,305 S**

(45) **Date of Patent:** **** Jul. 24, 2007**

(54) **SPEAKER FOR VEHICLE**

(75) Inventors: **Shigeru Sugiyama**, Shizuoka (JP);
Hajime Kitamura, Shizuoka (JP)

(73) Assignee: **Star Micronics Co., Ltd.**, Shizuoka (JP)

(**) Term: **14 Years**

(21) Appl. No.: **29/129,869**

(22) Filed: **Sep. 25, 2000**

(30) **Foreign Application Priority Data**

Jul. 4, 2000 (JP) 2000-018172

(51) **LOC (8) Cl.** **14-01**

(52) **U.S. Cl.** **D14/221; D14/216**

(58) **Field of Classification Search** D10/116;
D14/157, 204, 207, 215, 216, 221, 222, 224;
181/141, 144, 148, 150-155, 157, 199; 381/300-302,
381/332, 336, 386, 430-433

See application file for complete search history.

(56) **References Cited**

U.S. PATENT DOCUMENTS

1,563,500 A * 12/1925 Koch 381/433

D265,086 S * 6/1982 Kawachi D14/216

D266,420 S * 10/1982 Warner D14/222

D333,468 S * 2/1993 Hansen D14/222

D344,034 S * 2/1994 Gottlieb D10/116

* cited by examiner

Primary Examiner—Nanda Bondade

(74) *Attorney, Agent, or Firm*—Sughrue Mion, PLLC

(57) **CLAIM**

The ornamental design for a speaker for vehicle, as shown.

DESCRIPTION

FIG. 1 is a perspective view of the top, front and left side of a speaker for vehicle showing our new design;

FIG. 2 is a top view thereof;

FIG. 3 is a right side view thereof;

FIG. 4 is a rear view thereof;

FIG. 5 is a bottom view thereof;

FIG. 6 is a left side view thereof; and,

FIG. 7 is a front view thereof.

1 Claim, 2 Drawing Sheets

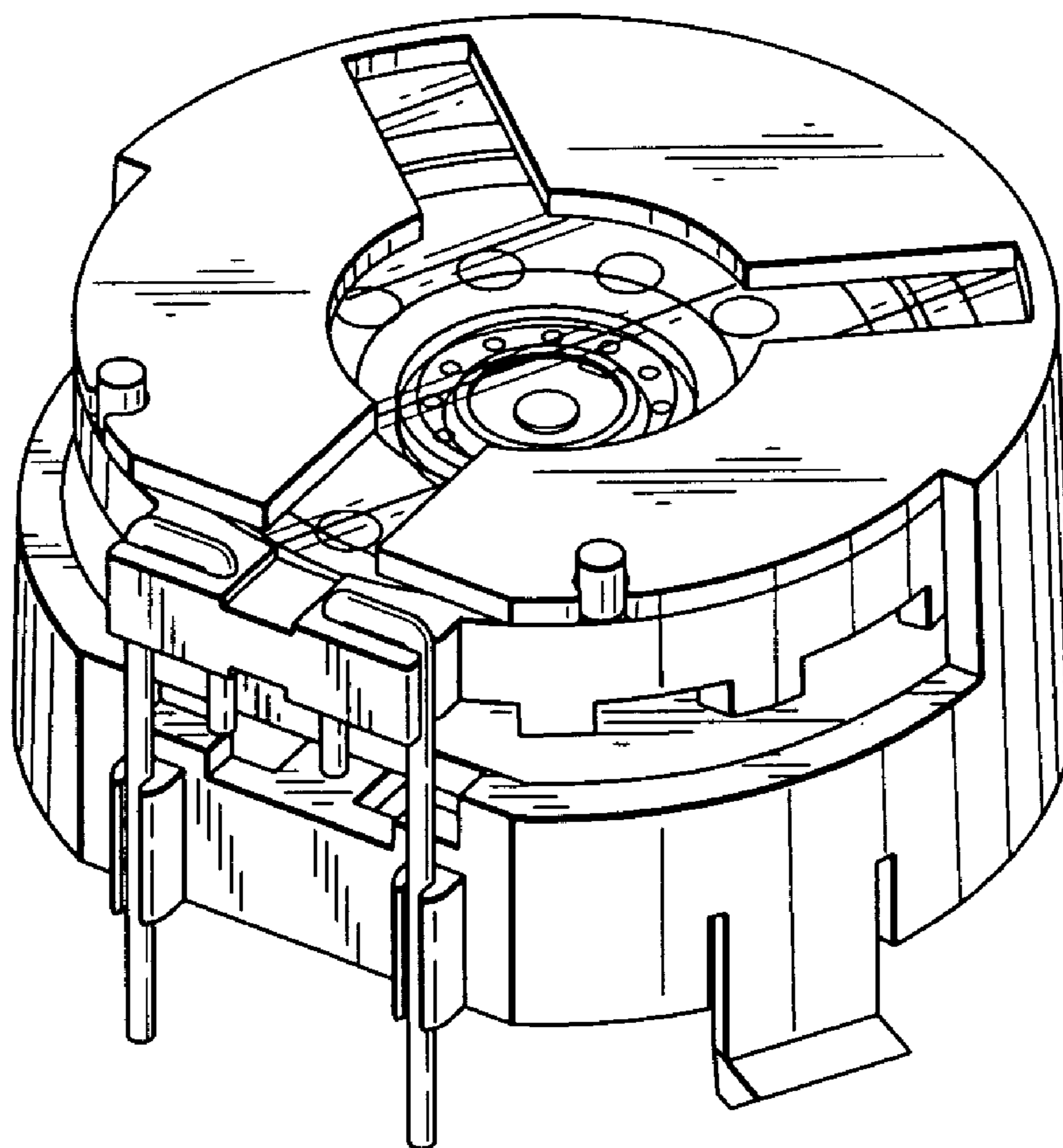


FIG. 1

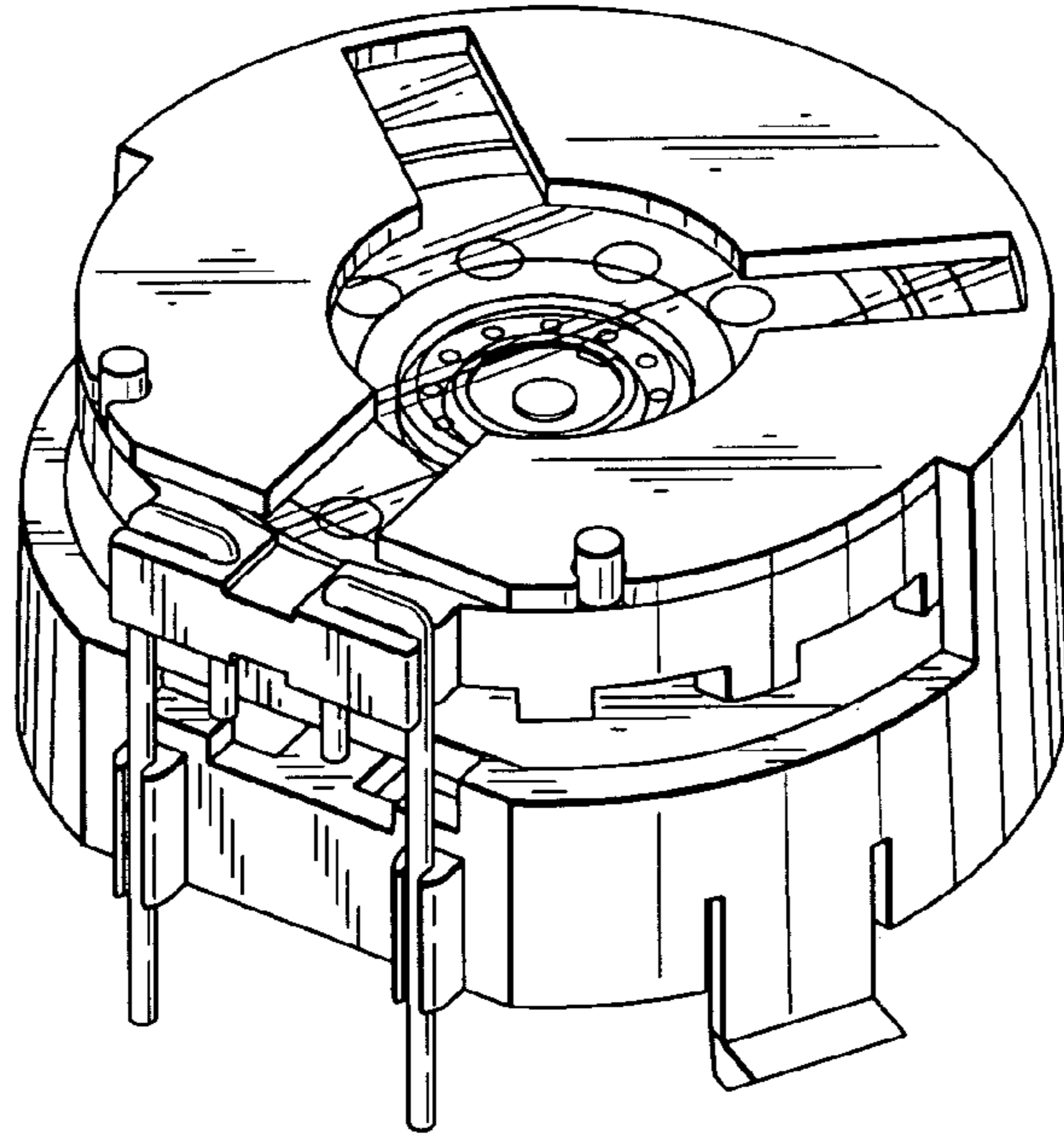


FIG. 2

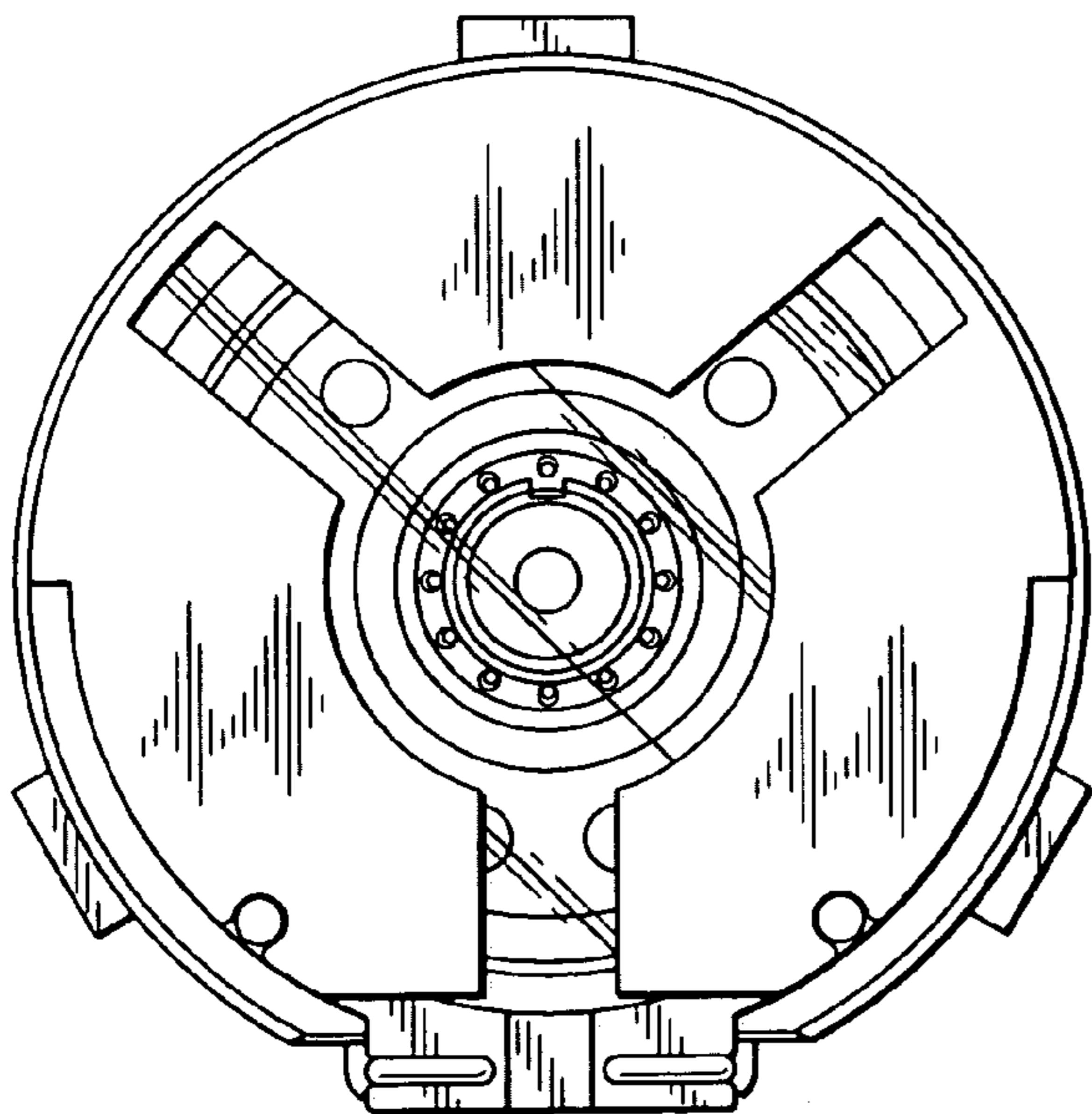


FIG. 3

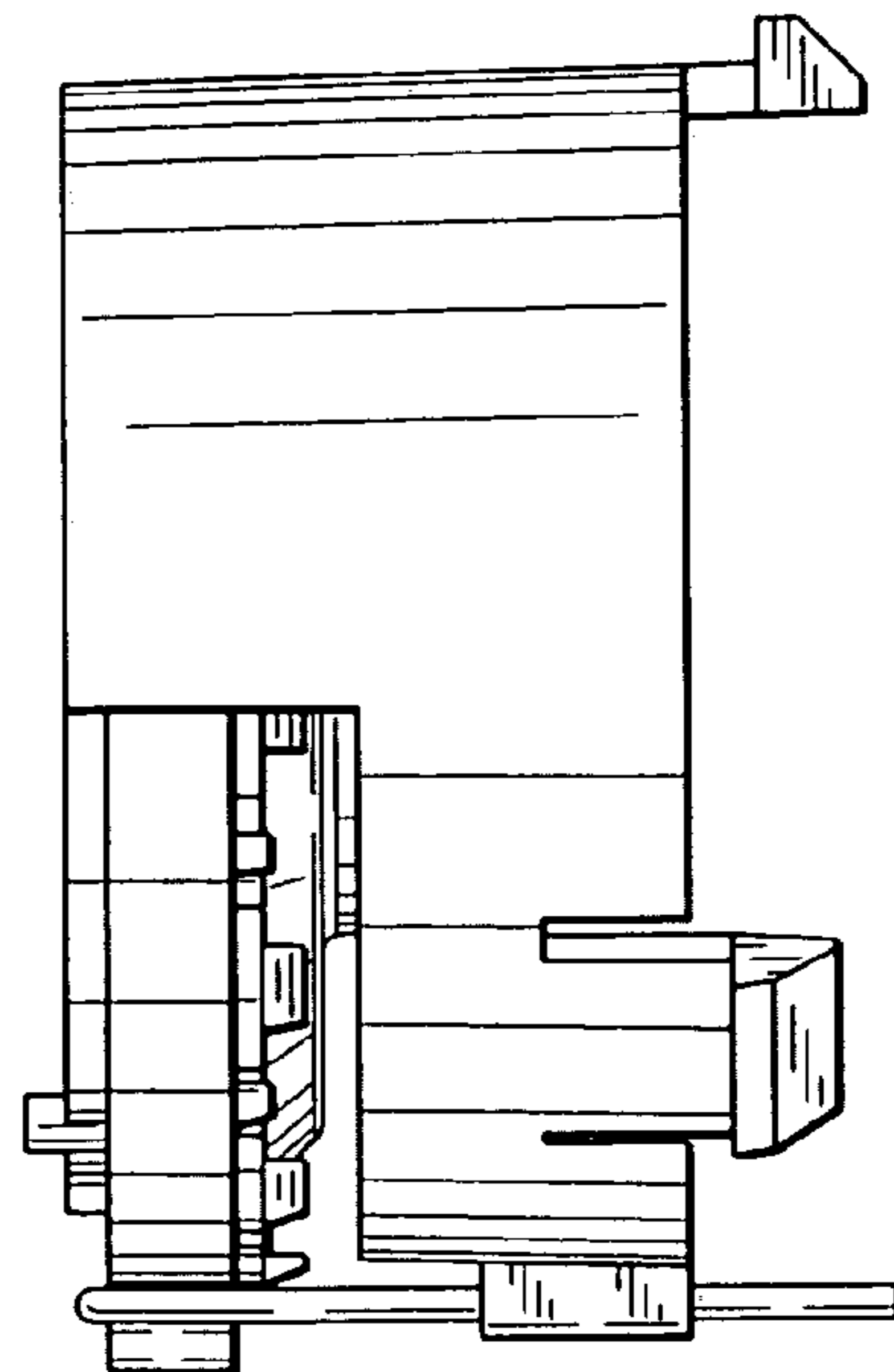


FIG. 4

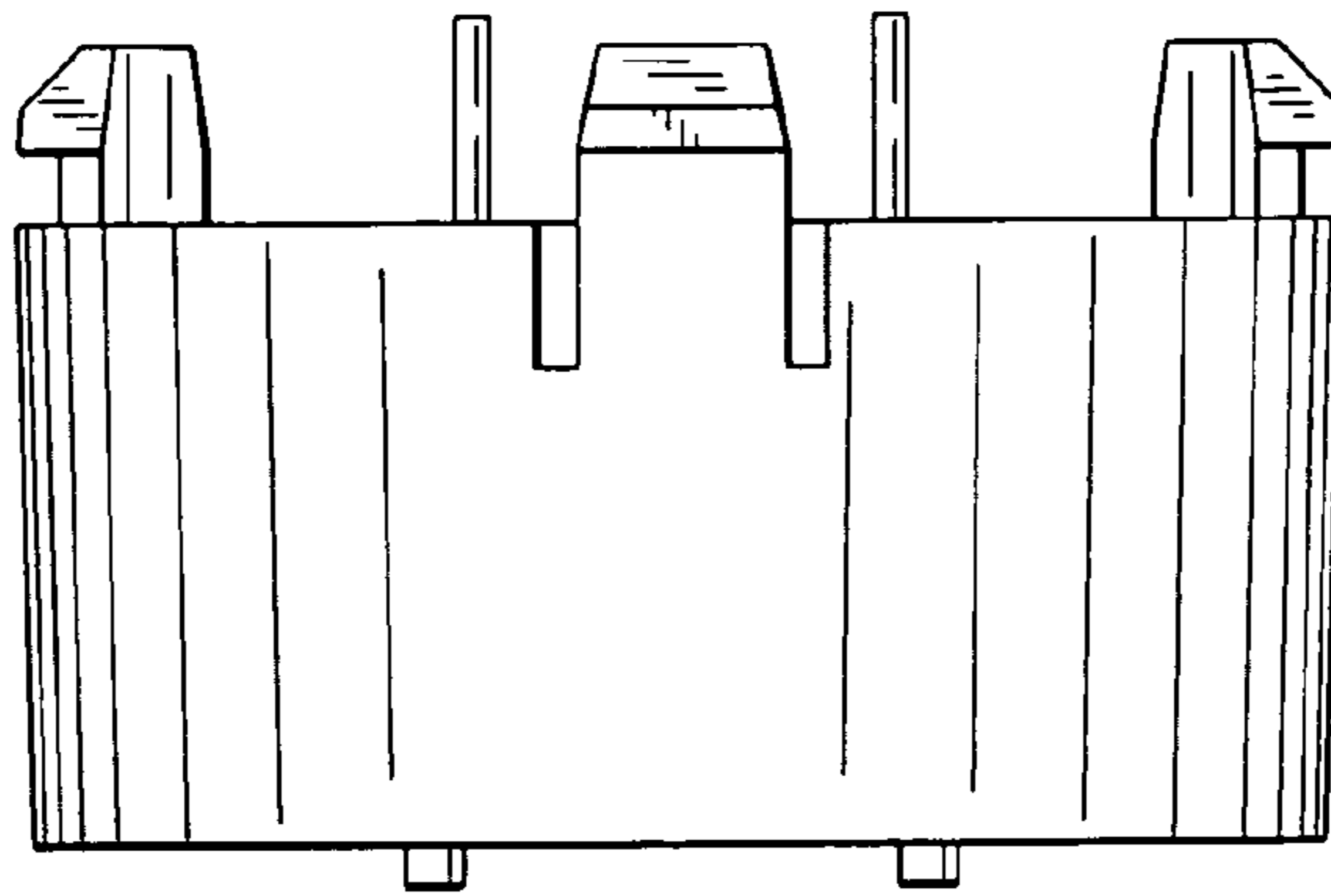


FIG. 5

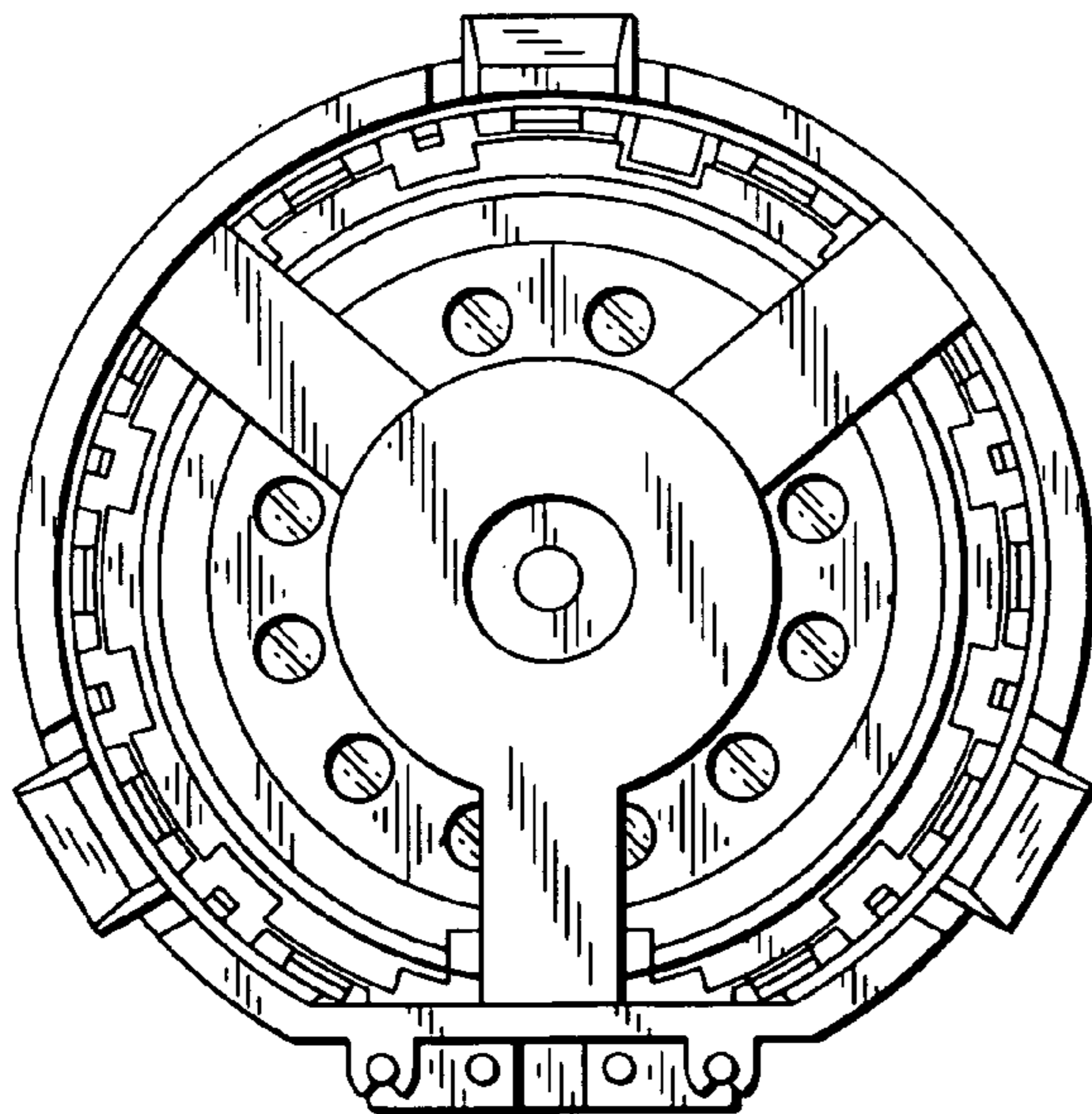


FIG. 6

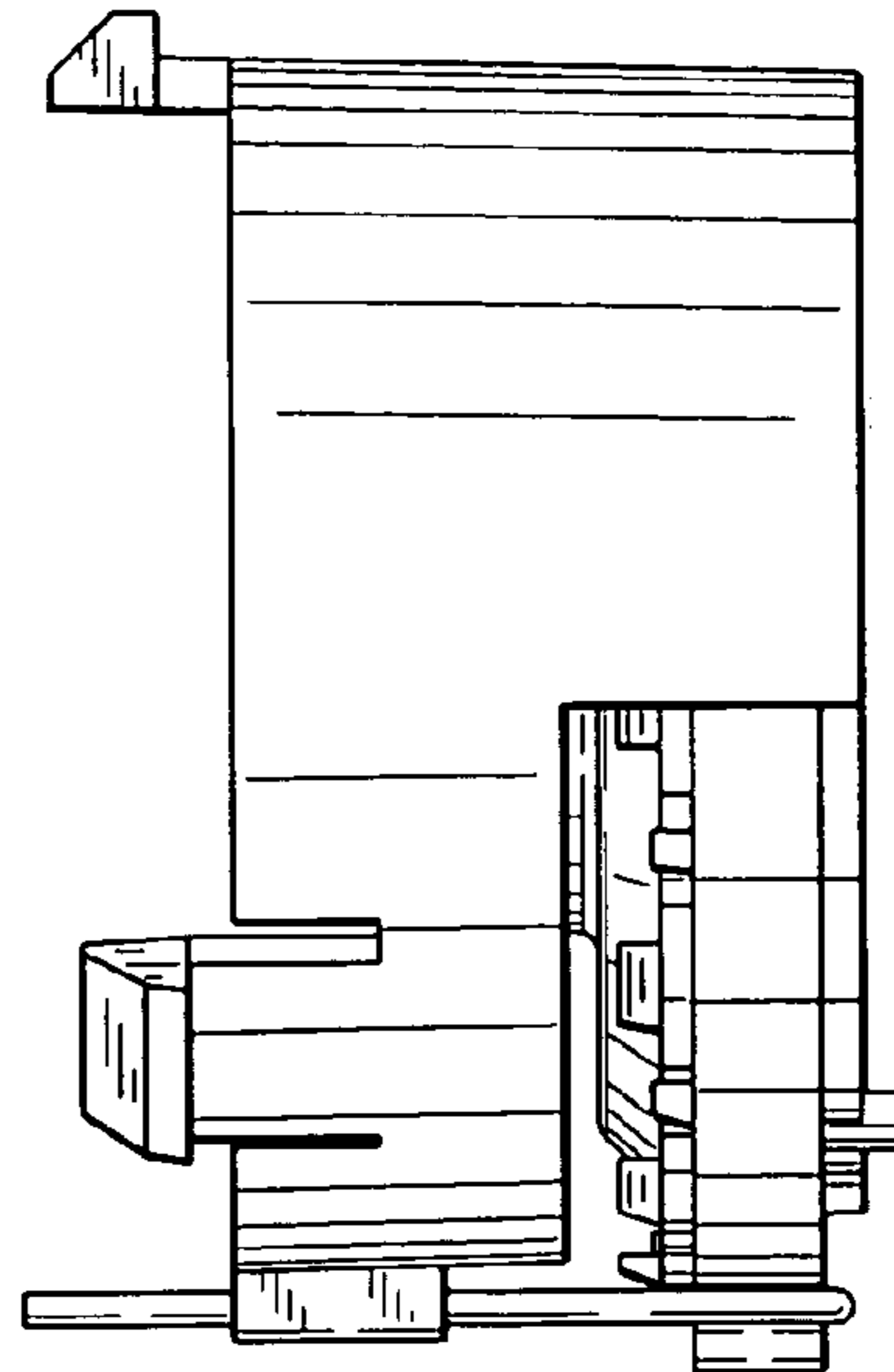


FIG. 7

