

US00D547301S

(12) **United States Design Patent**
Komiyama

(10) **Patent No.:** **US D547,301 S**

(45) **Date of Patent:** **** Jul. 24, 2007**

(54) **SPEAKER BOX**

(75) Inventor: **Jun Komiyama**, Tokyo (JP)

(73) Assignee: **Sony Corporation**, Tokyo (JP)

(**) Term: **14 Years**

(21) Appl. No.: **29/226,054**

(22) Filed: **Mar. 24, 2005**

(51) **LOC (8) Cl.** **14-01**

(52) **U.S. Cl.** **D14/214**

(58) **Field of Classification Search** D14/204,
D14/207, 209–216, 356, 217; 181/143–144,
181/147–148, 150, 157, 198–199, 151, 153;
381/300–302, 306, 333, 345, 361–364, 386–388,
381/332, 336

See application file for complete search history.

(56) **References Cited**

U.S. PATENT DOCUMENTS

D355,418 S *	2/1995	Parsey	D14/214
D378,591 S *	3/1997	Brezovar	D14/214
D410,006 S *	5/1999	Miyazaki	D14/214
6,035,962 A *	3/2000	Lin	181/199
D426,539 S *	6/2000	Horikoshi	D14/214
D432,518 S *	10/2000	Muto	D14/172
D436,945 S	1/2001	Tanaka		
D450,050 S *	11/2001	Marcum et al.	D14/214
D453,016 S *	1/2002	Nevill et al.	D14/214
D476,640 S *	7/2003	Harris et al.	D14/211
D477,307 S *	7/2003	Tierney	D14/214
D508,909 S *	8/2005	Harris et al.	D14/211
D514,091 S *	1/2006	Sube	D14/214

FOREIGN PATENT DOCUMENTS

JP	D1094177 S	12/2000
JP	D1094179 S	12/2000
JP	D1110006 S	5/2001
JP	D1110007 S	5/2001
JP	D1131810 S	1/2002
JP	D1131811 S	1/2002

JP	D1145476 S	7/2002
JP	D1145491 S	7/2002
JP	D1172762 S	5/2003
JP	D1192034 S	12/2003
JP	D1192035 S	12/2003
JP	D1200368 S	3/2004

OTHER PUBLICATIONS

Catalog, "SRS-ZP1000D," Sony Product Information, Sony Corp. (Oct. 2004).

Web page, "GX-D90(B)," <http://www2.onkyo.com/jp/product/products.nsf/wavio/3BCD4002D81C66D949256BEC002C8D8B?OpenDocument>, Onkyo, one sheet (Jan. 2005).

* cited by examiner

Primary Examiner—Nanda Bondade

(74) *Attorney, Agent, or Firm*—Rader, Fishman & Grauer PLLC

(57) **CLAIM**

The ornamental design for a speaker box, as shown and described.

DESCRIPTION

FIG. 1 is a perspective view of a speaker box showing my new design;

FIG. 2 is a front elevational view thereof;

FIG. 3 is a rear elevational view thereof;

FIG. 4 is a left side elevational view thereof;

FIG. 5 is a right side elevational view thereof;

FIG. 6 is a top plan view thereof; and,

FIG. 7 is a bottom plan view thereof.

The even broken line showings of a speaker box in FIGS. 1-7 are for illustrative purpose only and form no part of the claimed design. The dot-dash broken lines in FIGS. 1, 3-5 and 7 define, but are not included in, the boundaries of the claimed design.

1 Claim, 4 Drawing Sheets

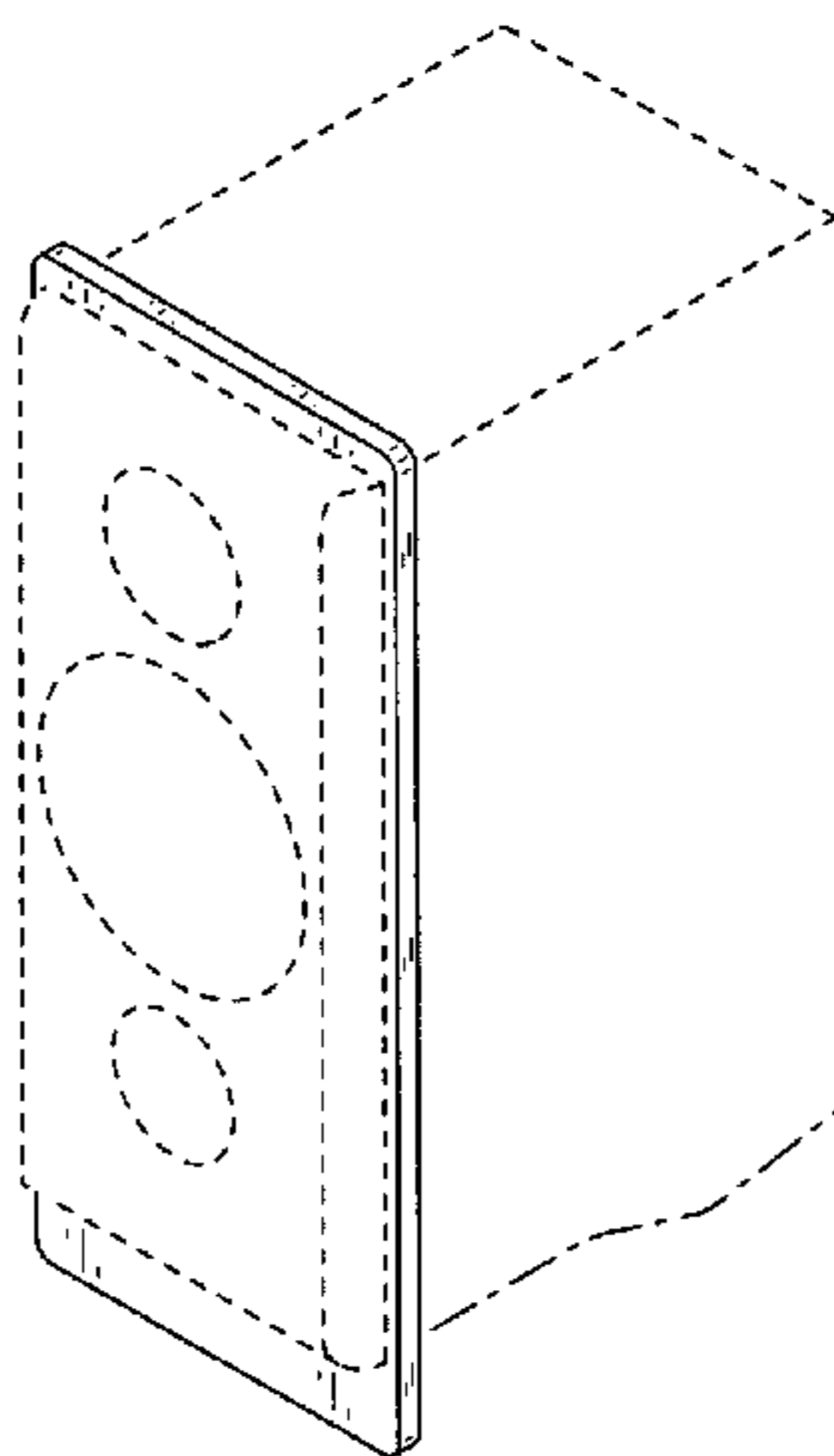


FIG. 1

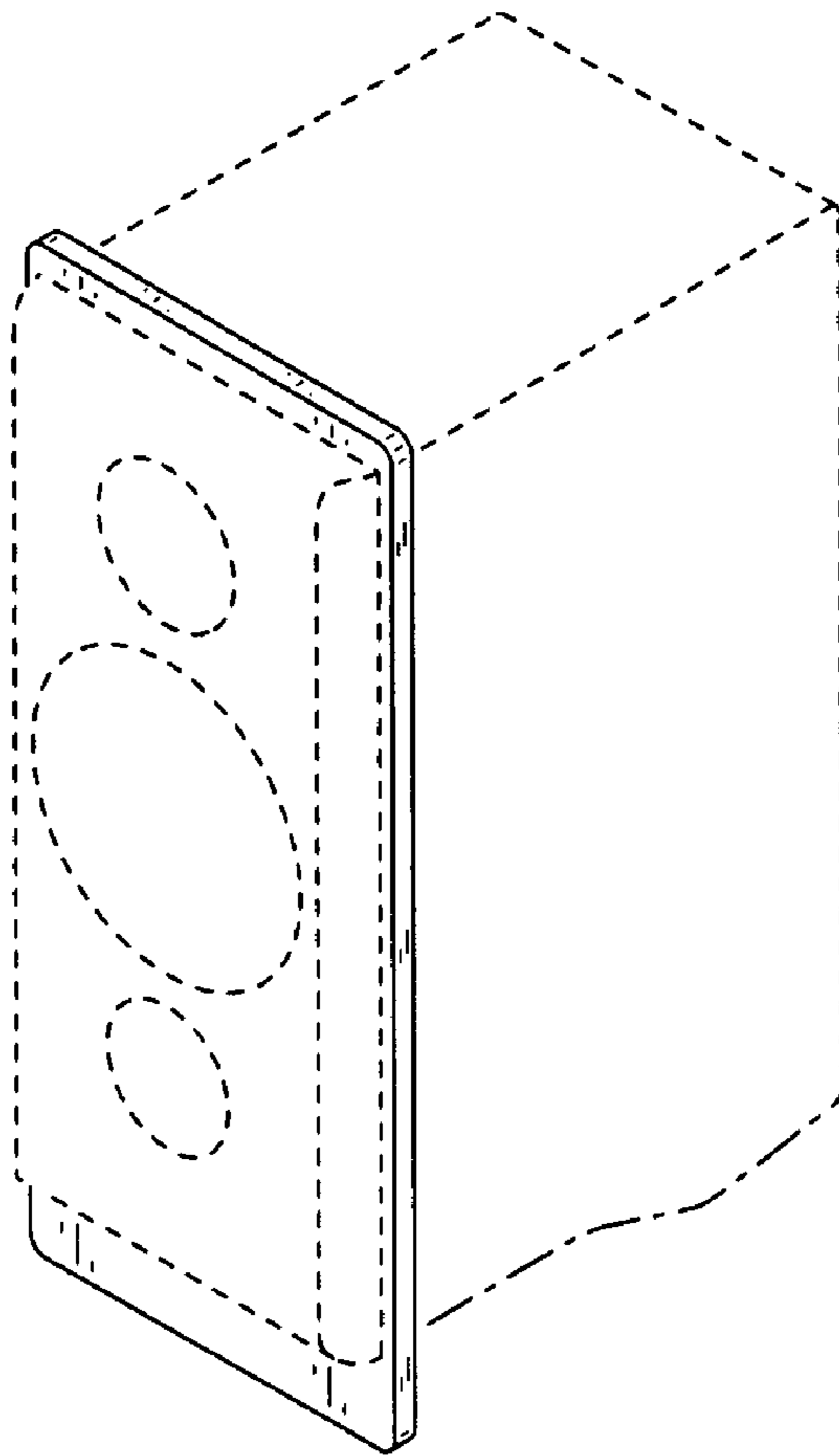


FIG.2

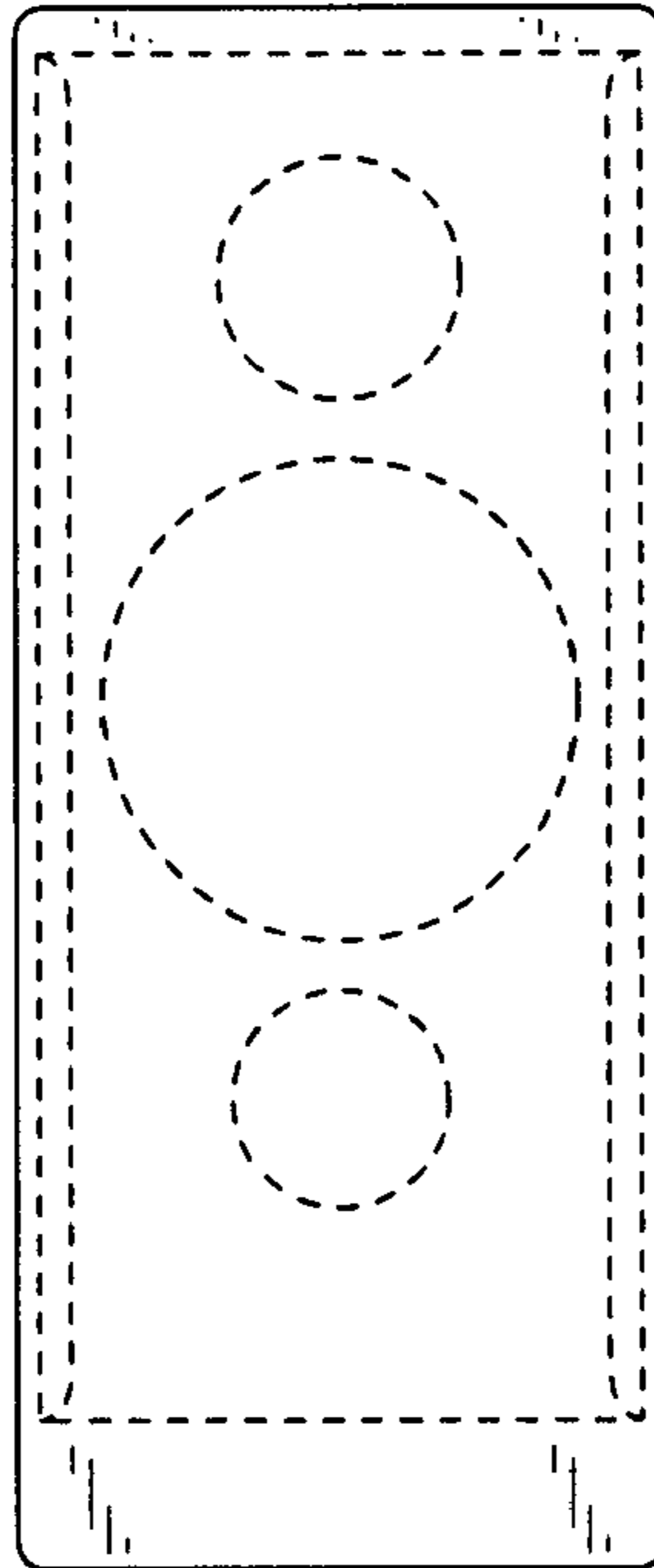


FIG.3

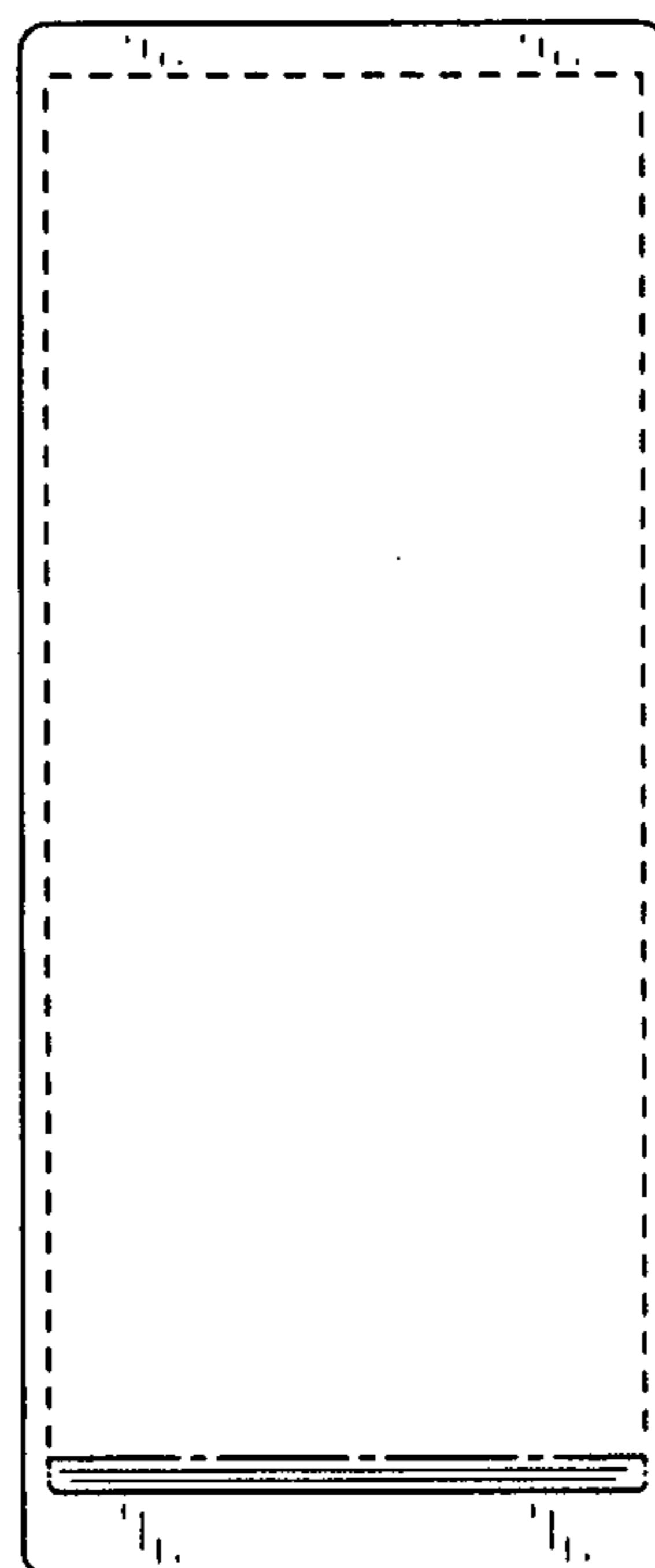


FIG.4

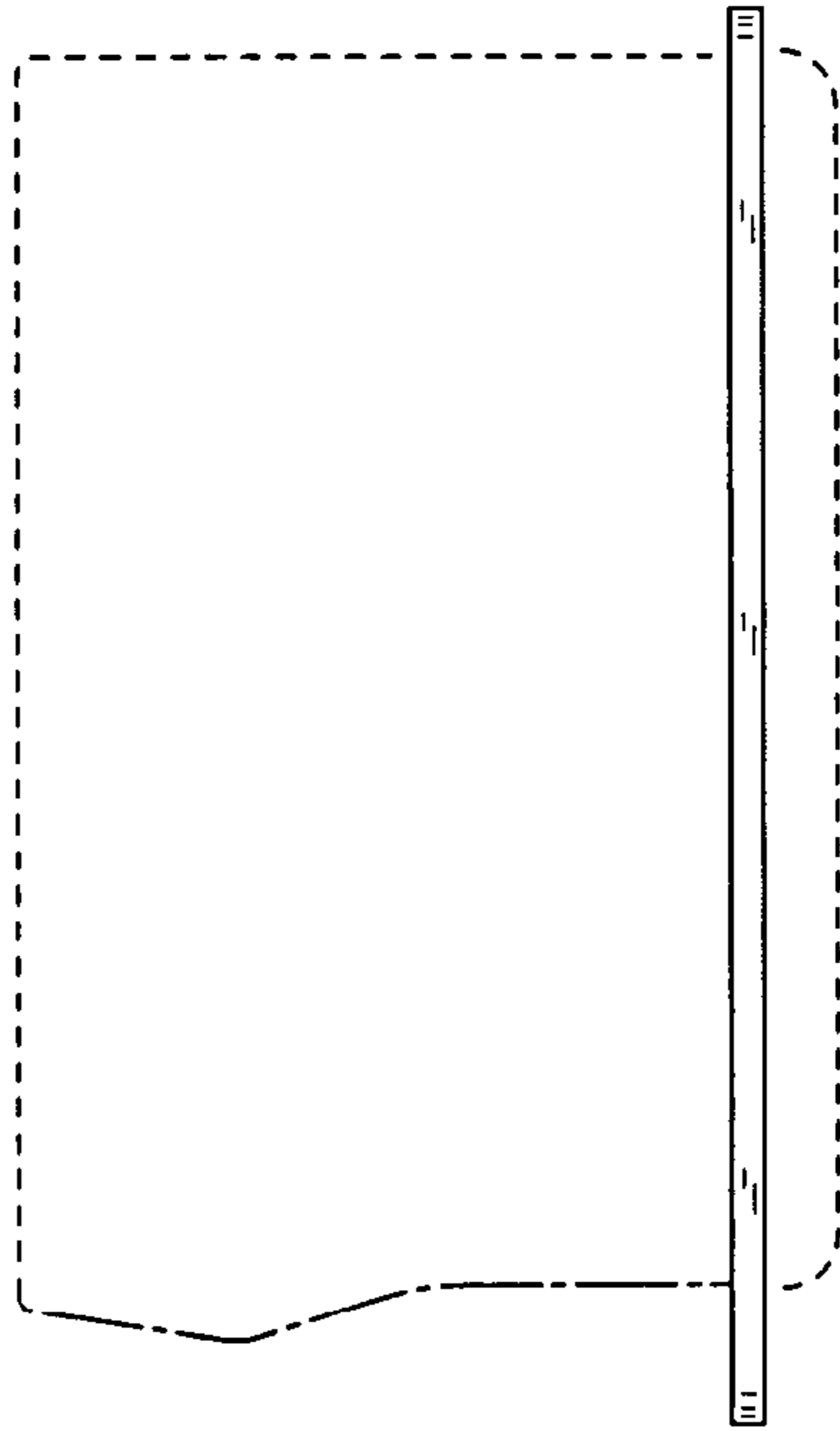


FIG.5

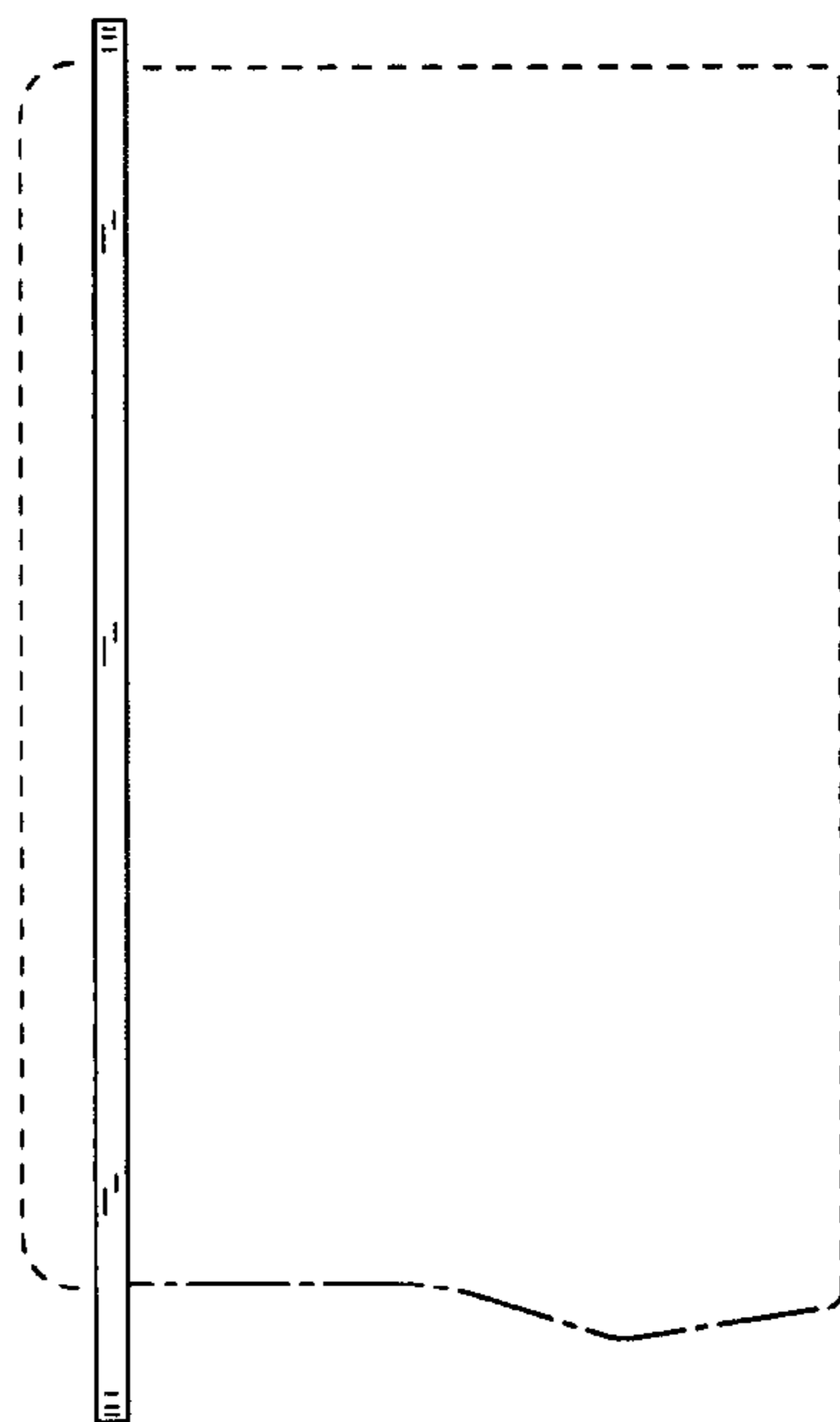


FIG.6

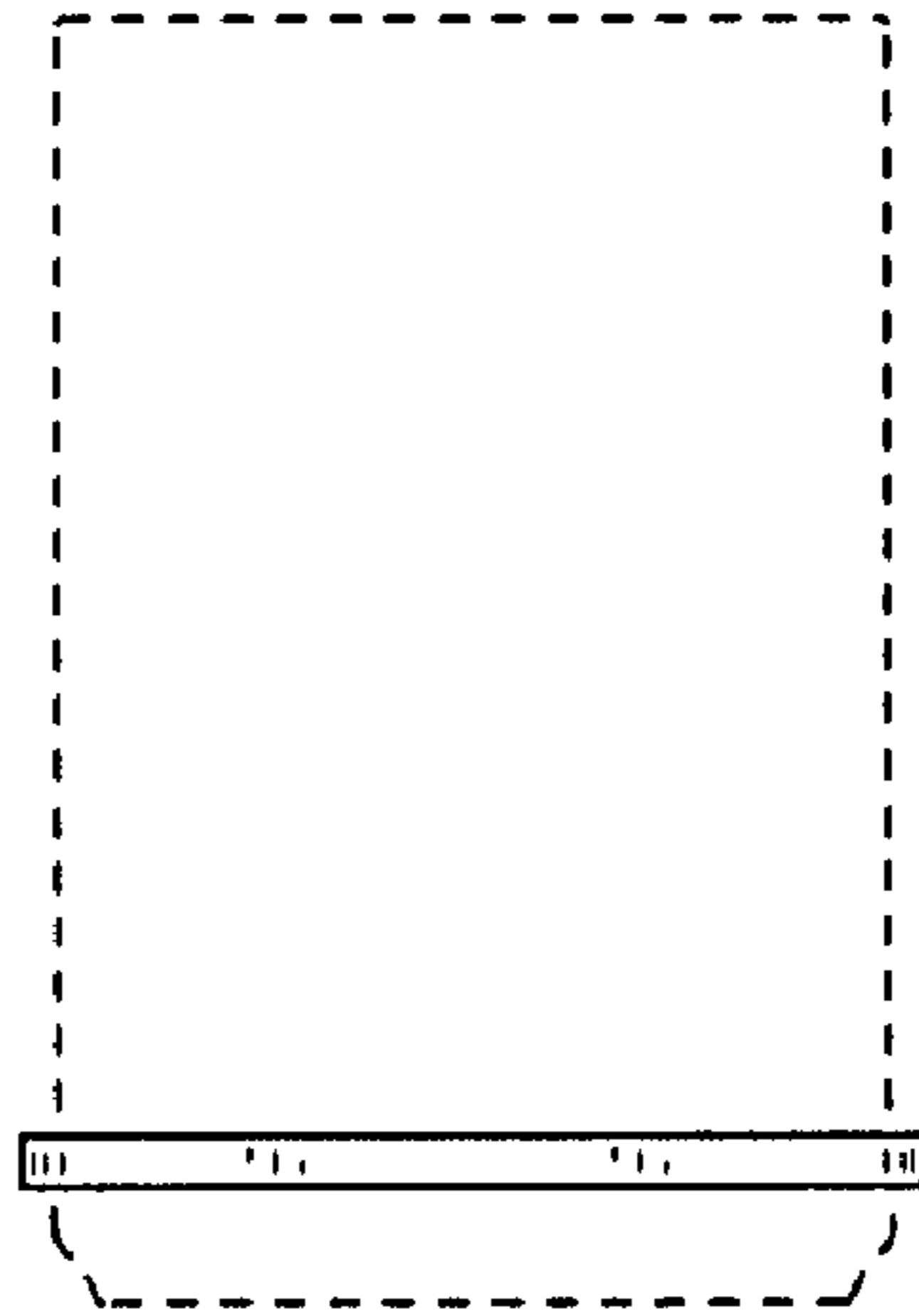


FIG.7

