

US00D547300S

(12) **United States Design Patent**
Hibino

(10) **Patent No.:** **US D547,300 S**

(45) **Date of Patent:** **** Jul. 24, 2007**

(54) **DISC PLAYER**

(75) Inventor: **Takuro Hibino**, Tokyo (JP)

(73) Assignee: **Sony Corporation**, Tokyo (JP)

(**) Term: **14 Years**

(21) Appl. No.: **29/252,202**

(22) Filed: **Jan. 20, 2006**

(51) **LOC (8) Cl.** **14-01**

(52) **U.S. Cl.** **D14/168**

(58) **Field of Classification Search** D14/135–136,
D14/156, 162, 167–168, 172, 496; 360/99.02,
360/99.07; 369/75.11, 75.21, 77.21, 77.11;
720/612, 619, 647, 655; 455/344, 347–351
See application file for complete search history.

(56) **References Cited**

U.S. PATENT DOCUMENTS

D354,285 S *	1/1995	Lee	D14/168
D455,415 S *	4/2002	Suzuki	D14/168
D505,410 S	5/2005	Sugiyama		
D509,209 S	9/2005	Hibino		
D512,045 S *	11/2005	Motoishi	D14/168

OTHER PUBLICATIONS

Web page “Sony CMT-HPX9 Micro Audio System Micro System”
[http://ostg.pricegrabber.com/rating_getprodrev.php/
product_id=2896847/id_type=M](http://ostg.pricegrabber.com/rating_getprodrev.php/product_id=2896847/id_type=M), 2 sheets, PriceGrabber (Nov.
2005).

* cited by examiner

Primary Examiner—Nanda Bondade

(74) *Attorney, Agent, or Firm*—Rader, Fishman & Grauer,
PLLC

(57) **CLAIM**

The ornamental design for a disc player, as shown.

DESCRIPTION

FIG. 1 is a perspective view of a disc player showing my
new design;

FIG. 2 is a front elevational view thereof;

FIG. 3 is a rear elevational view thereof;

FIG. 4 is a left side elevational view thereof;

FIG. 5 is a right side elevational view thereof;

FIG. 6 is a top plan view thereof; and,

FIG. 7 is a bottom plan view thereof.

1 Claim, 7 Drawing Sheets

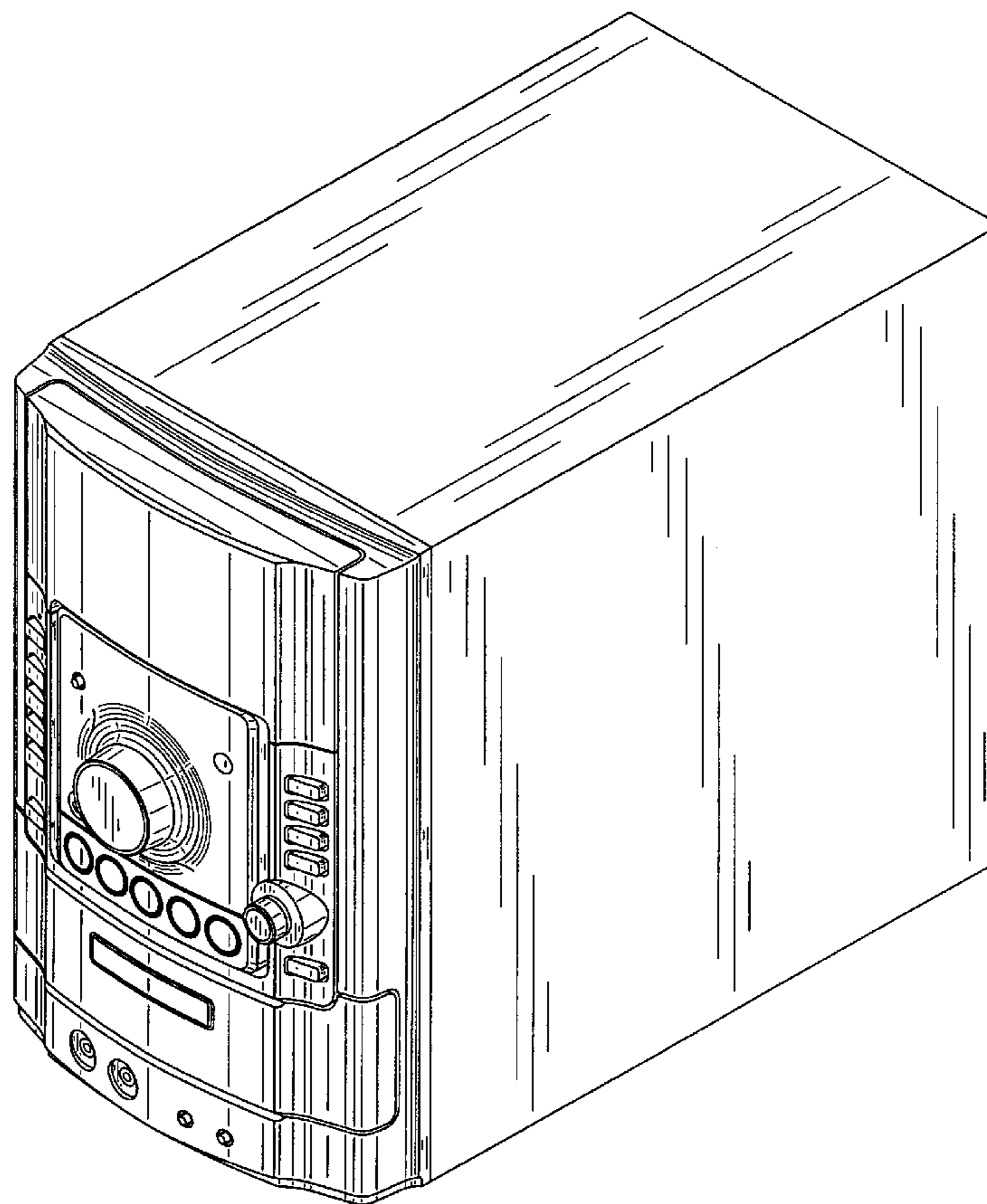


Fig. 1

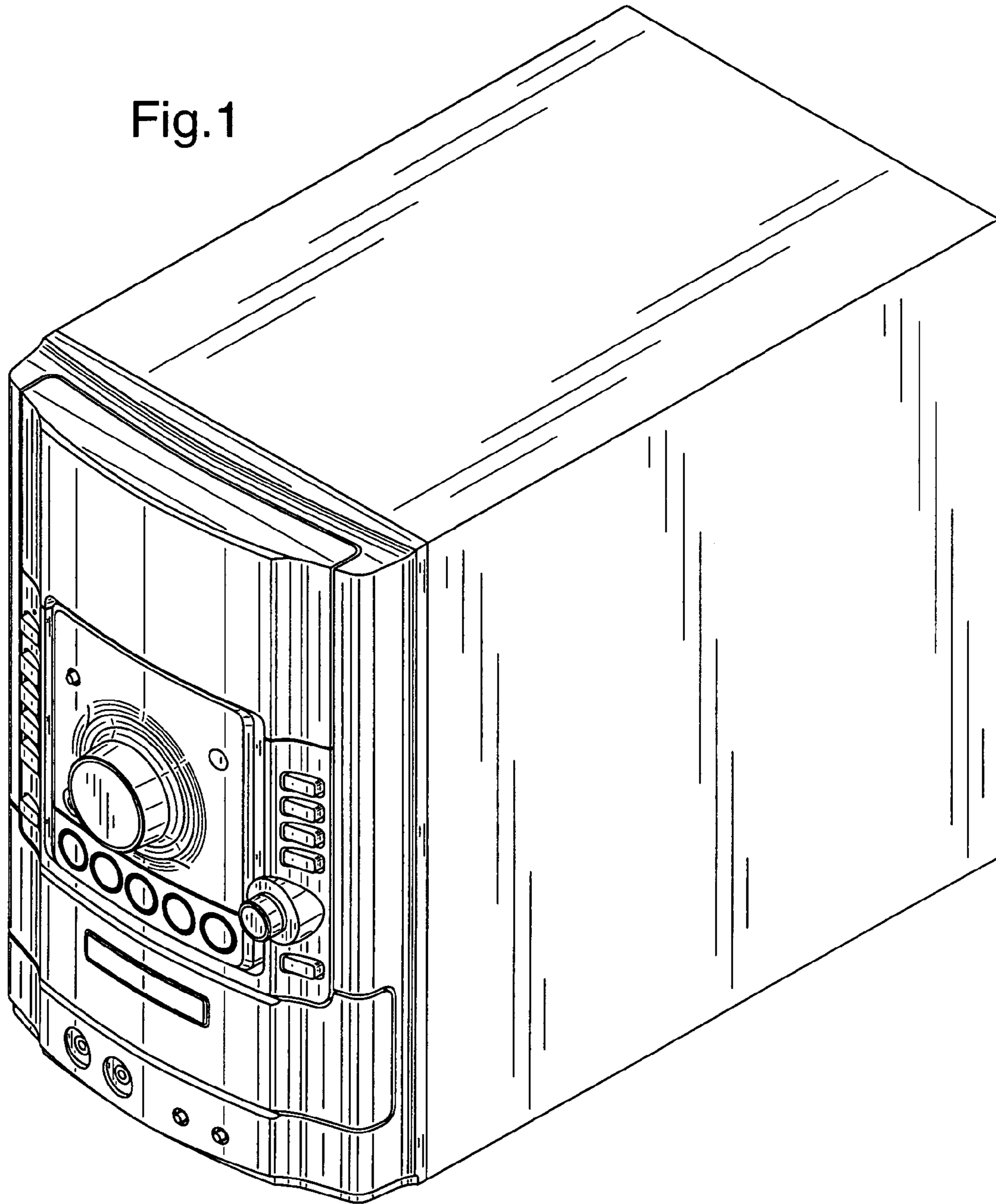


Fig.2

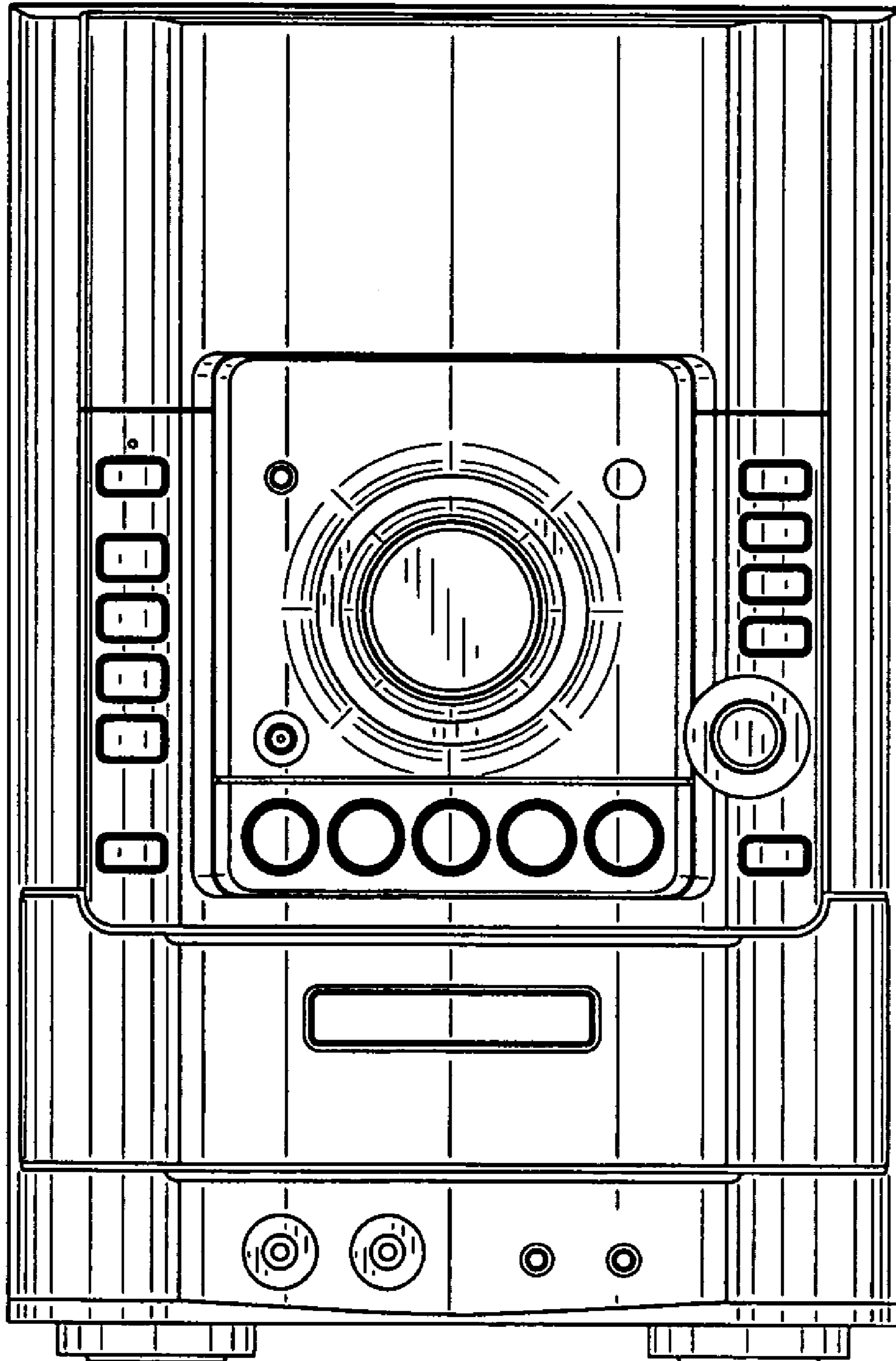


Fig.3

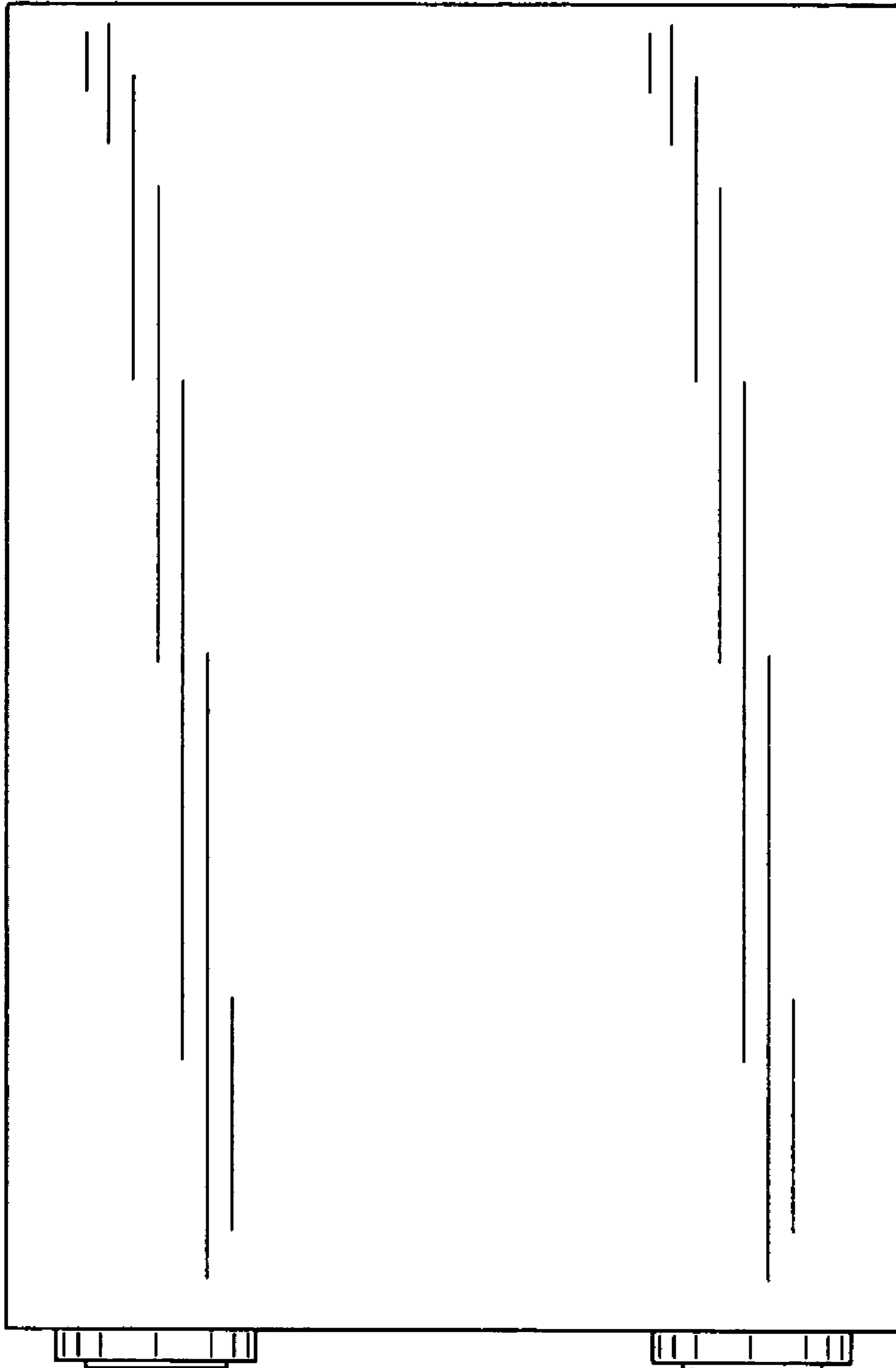


Fig.4

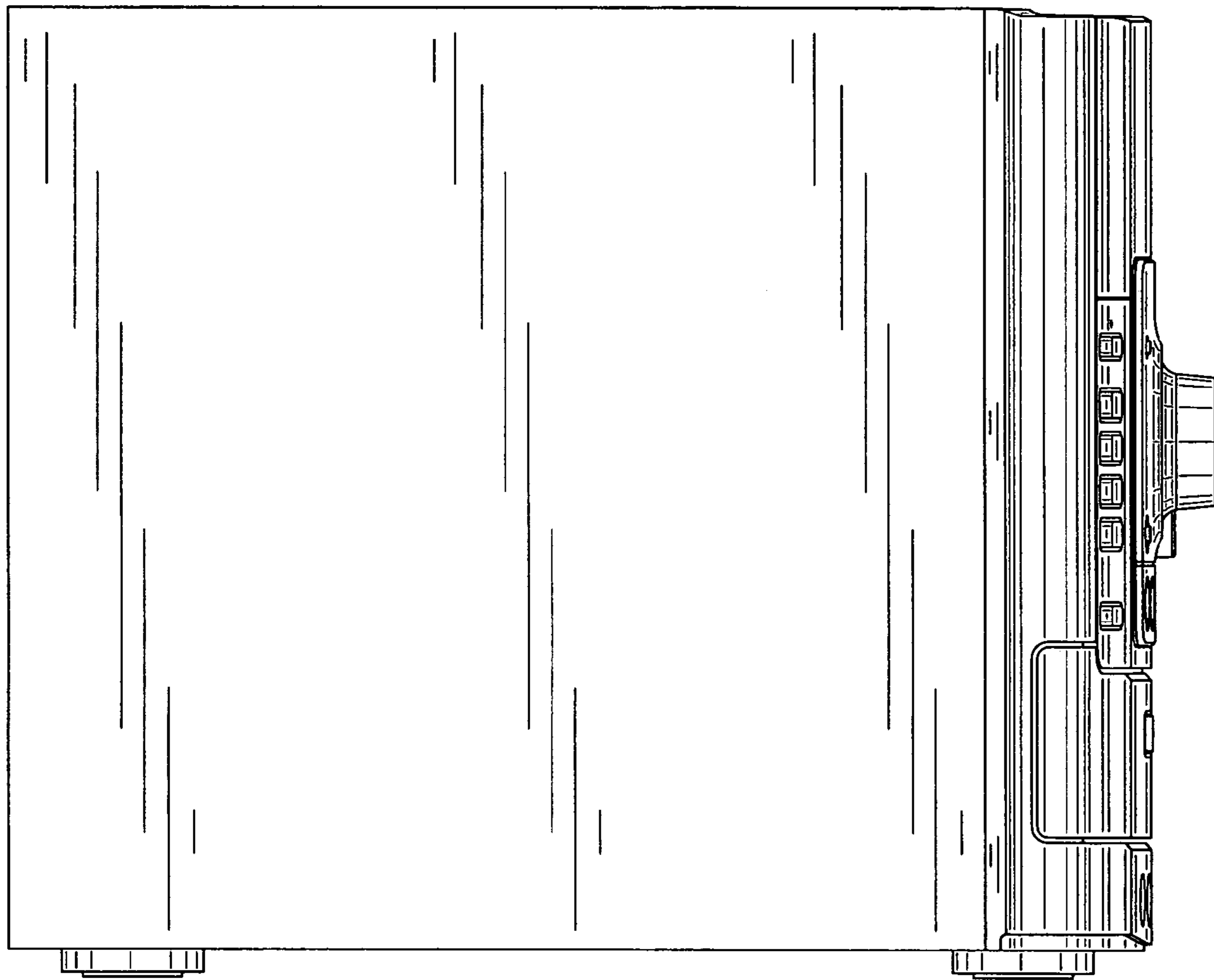


Fig.5

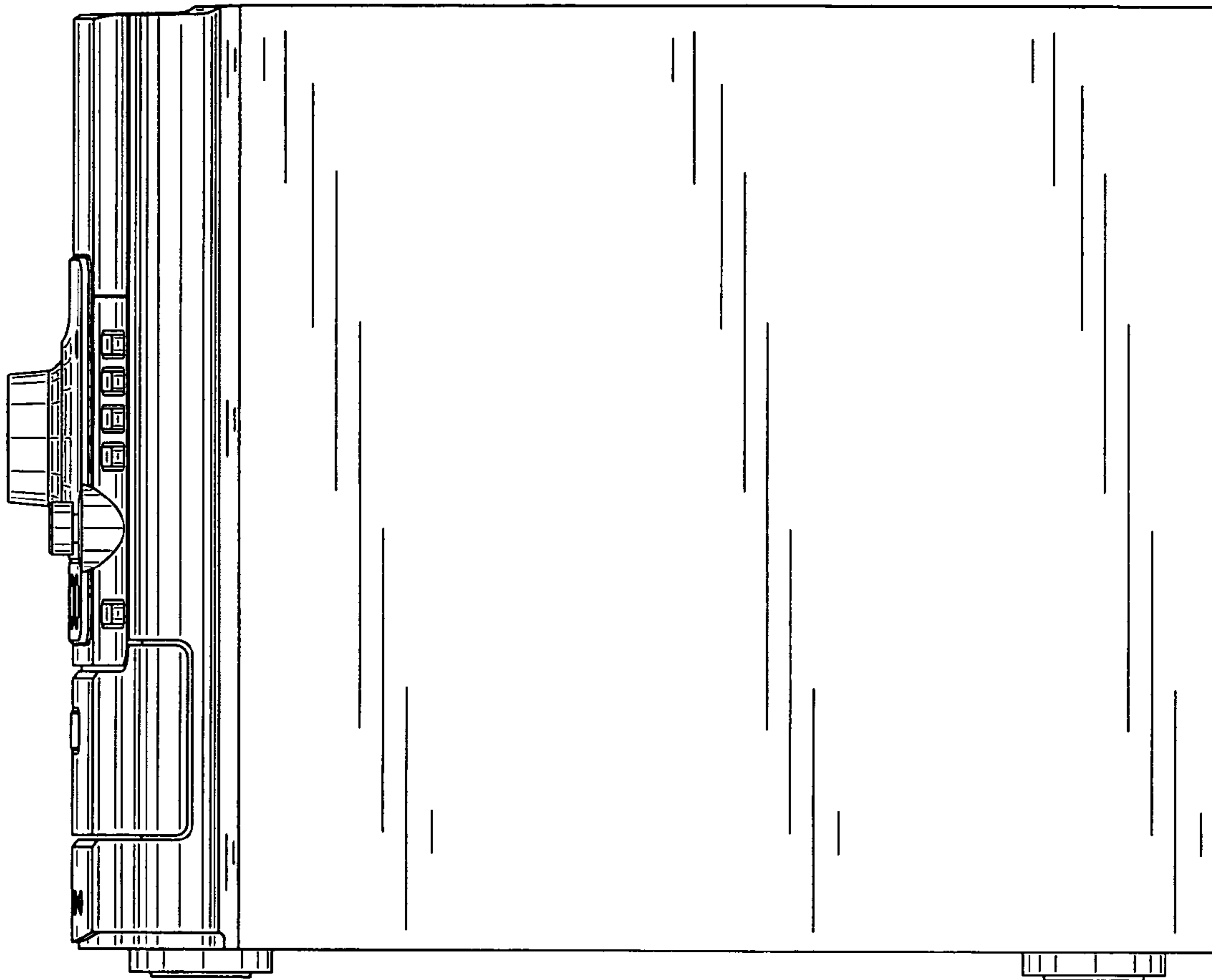


Fig.6

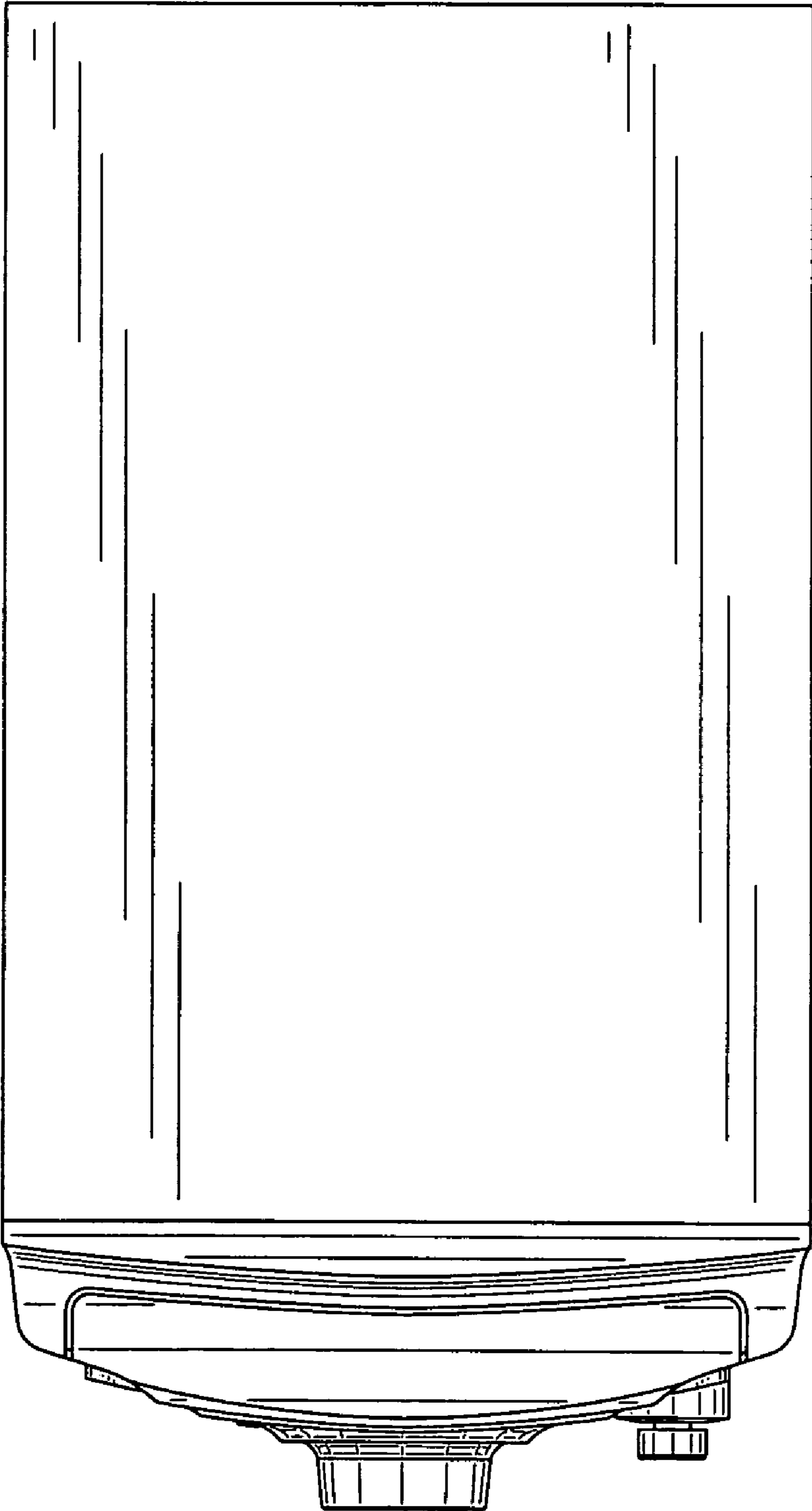


Fig.7

