

US00D547299S

(12) **United States Design Patent**
Obata

(10) **Patent No.:** **US D547,299 S**

(45) **Date of Patent:** **** Jul. 24, 2007**

(54) **PORTABLE STEREO**

(75) Inventor: **Shinichi Obata**, Tokyo (JP)

(73) Assignee: **Sony Corporation**, Tokyo (JP)

(**) Term: **14 Years**

(21) Appl. No.: **29/251,998**

(22) Filed: **Jan. 17, 2006**

(30) **Foreign Application Priority Data**

Jul. 14, 2005 (JP) 2005-020560

(51) **LOC (8) Cl.** **14-01**

(52) **U.S. Cl.** **D14/168**

(58) **Field of Classification Search** D14/156,
D14/162, 167-168, 171-172, 496, 193-198;
360/99.02, 99.07; 369/75.11, 75.21, 77.21,
369/77.11; 720/612, 619, 647, 655; 455/344,
455/347-351

See application file for complete search history.

(56) **References Cited**

U.S. PATENT DOCUMENTS

D329,852 S * 9/1992 Lee D14/165

D445,104 S * 7/2001 Narita D14/168
D454,856 S * 3/2002 Kobayashi D14/168
D505,409 S * 5/2005 Hirano D14/168
D506,459 S 6/2005 Obata et al.

* cited by examiner

Primary Examiner—Nanda Bondade

(74) *Attorney, Agent, or Firm*—Oblon, Spivak, McClelland,
Maier & Neustadt, P.C.

(57) **CLAIM**

The ornamental design for a portable stereo, as shown and described.

DESCRIPTION

FIG. 1 is a top and right front perspective view of a portable stereo, showing my design;

FIG. 2 is a top plan view thereof;

FIG. 3 is a bottom plan view thereof;

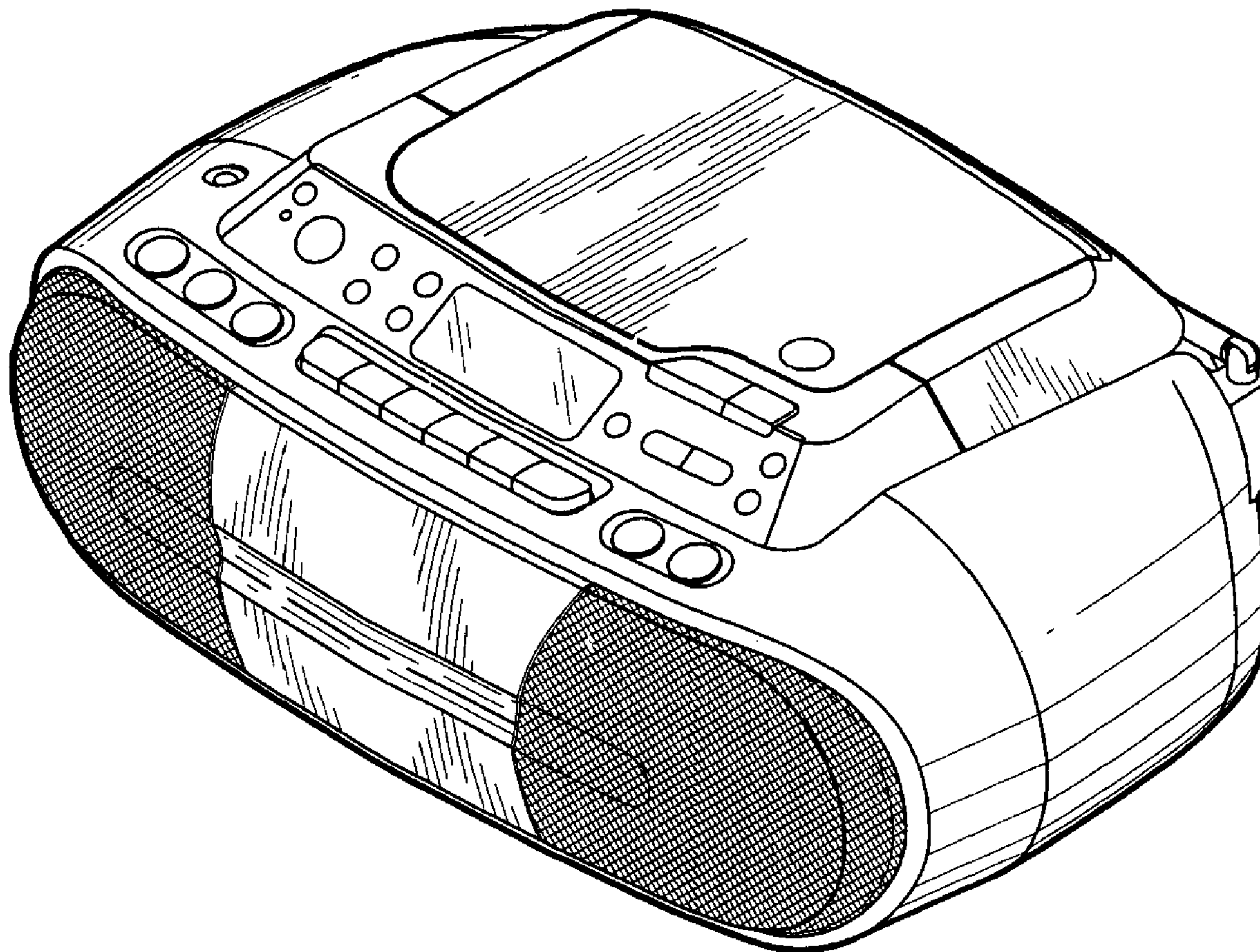
FIG. 4 is a left side elevational view thereof;

FIG. 5 is a right side elevational view thereof;

FIG. 6 is a front elevational view thereof; and,

FIG. 7 is a rear elevational view thereof.

1 Claim, 4 Drawing Sheets



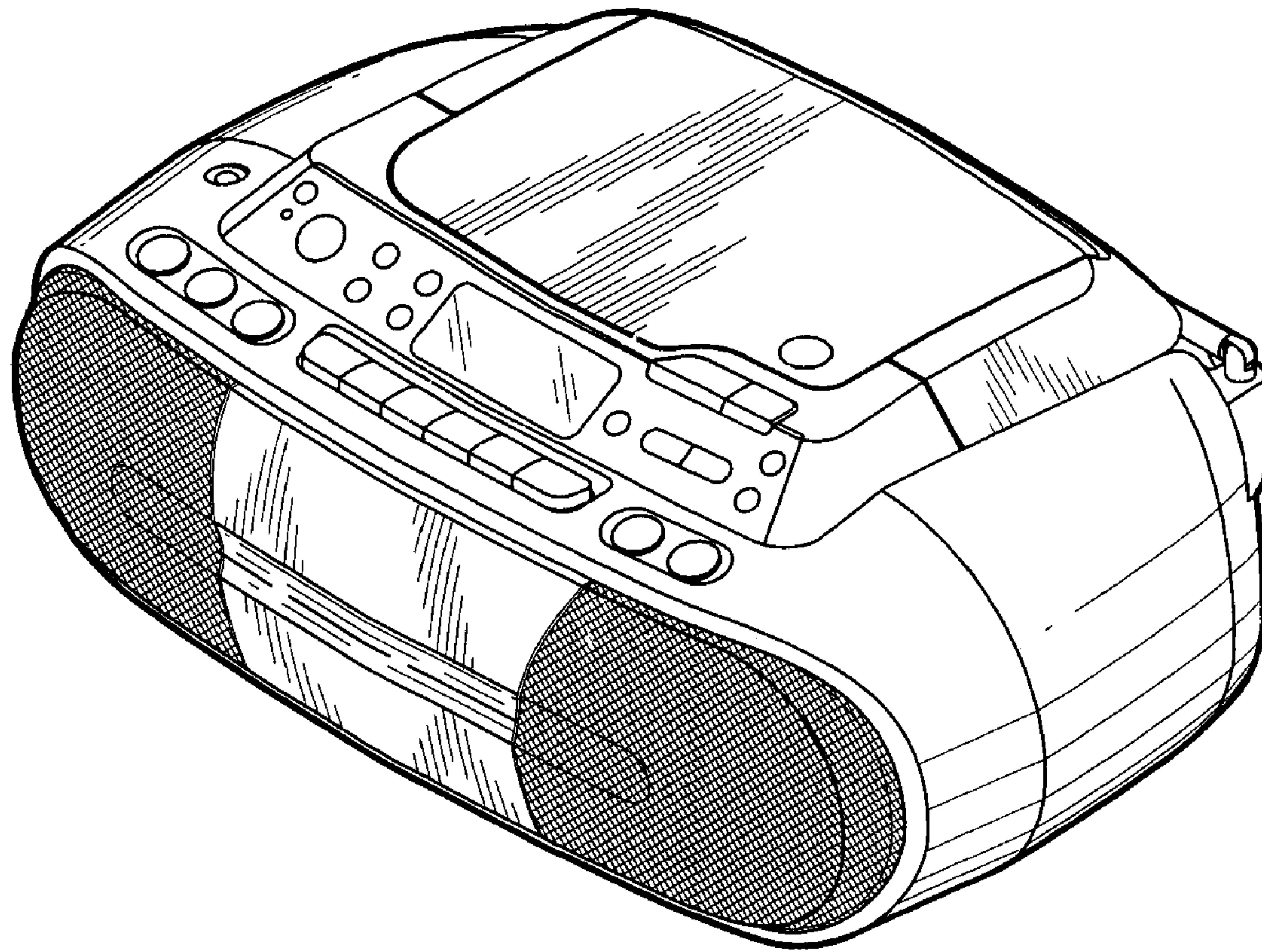


Fig. 1

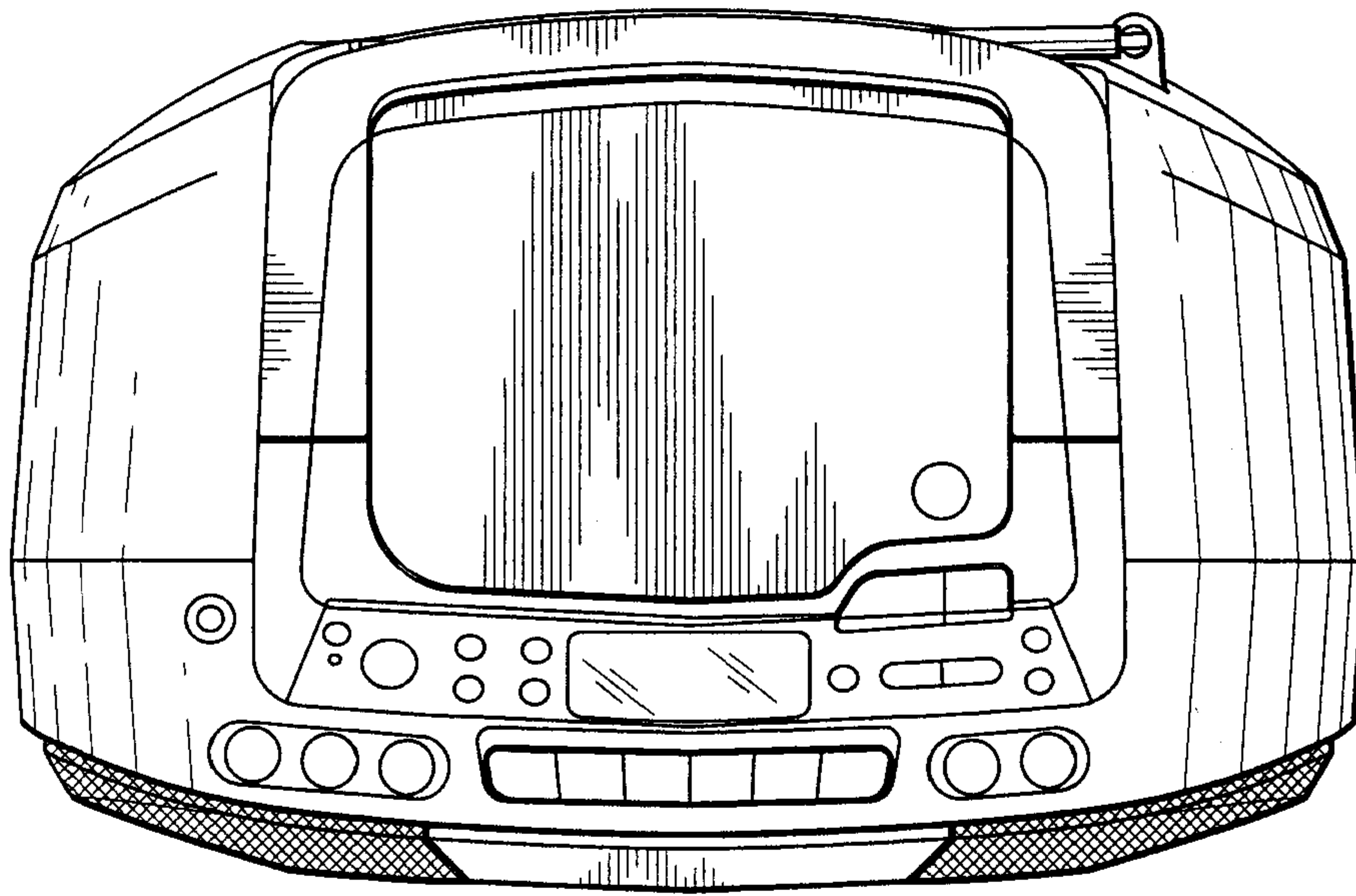


Fig. 2

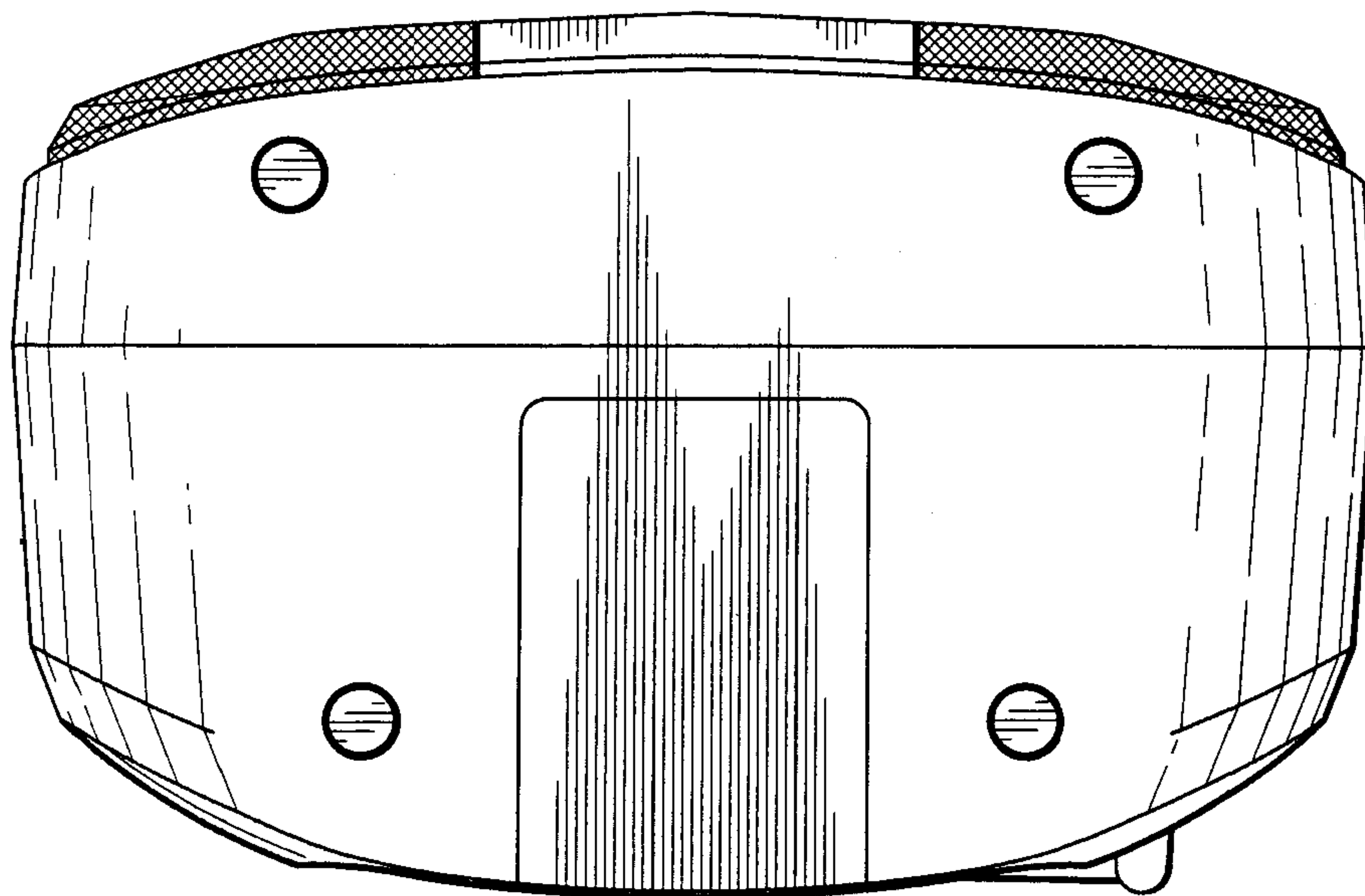


Fig. 3

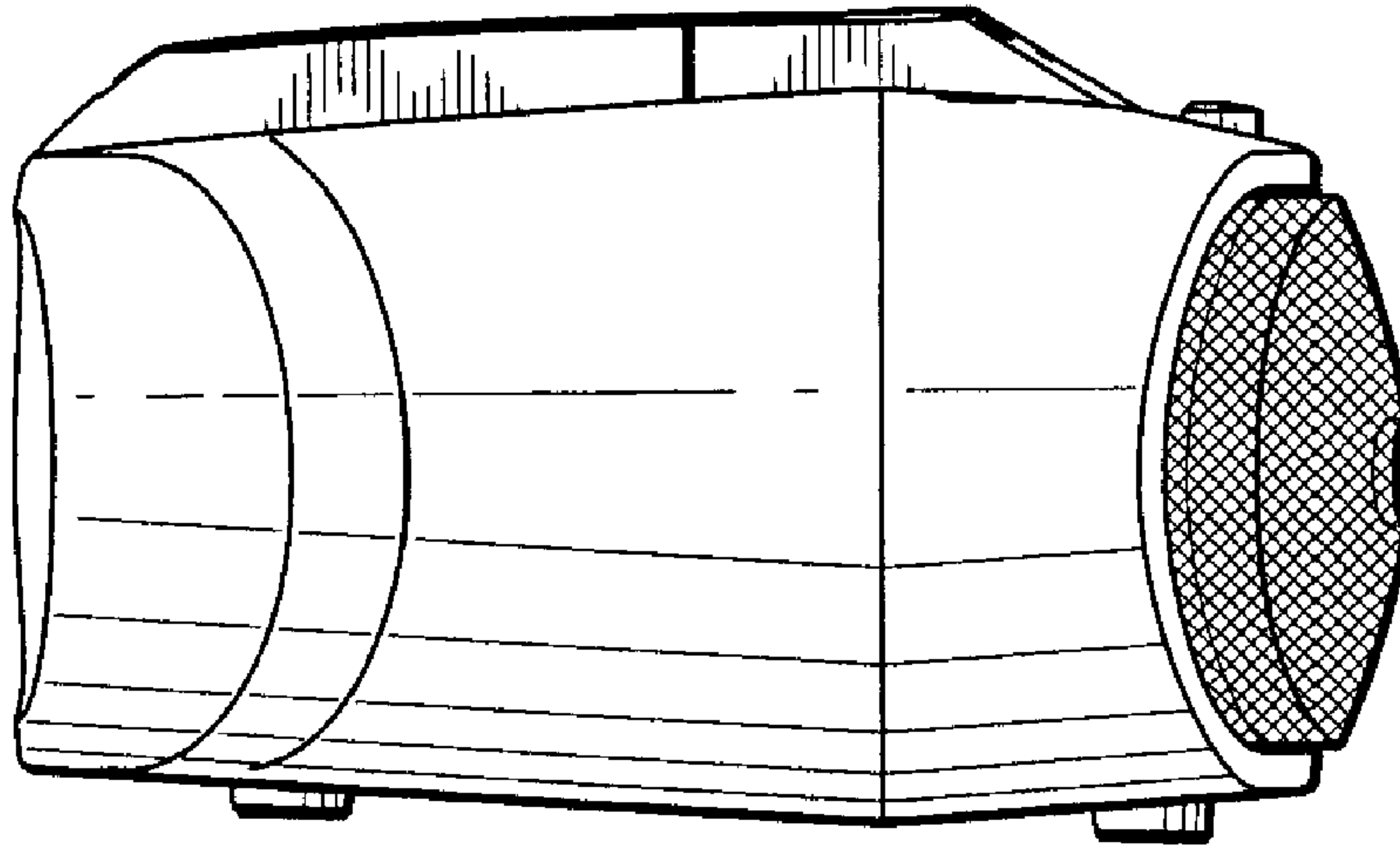


Fig. 4

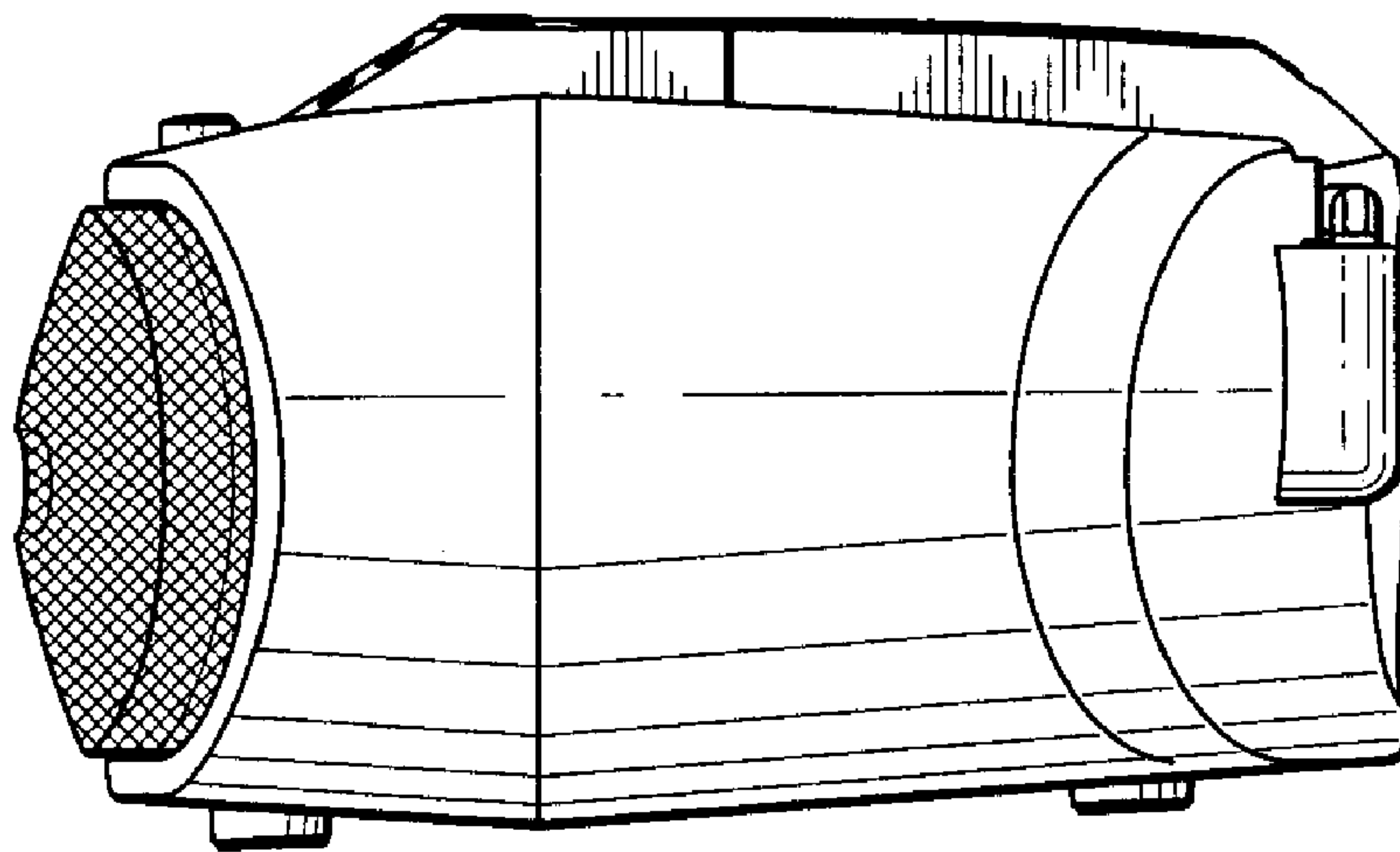


Fig. 5

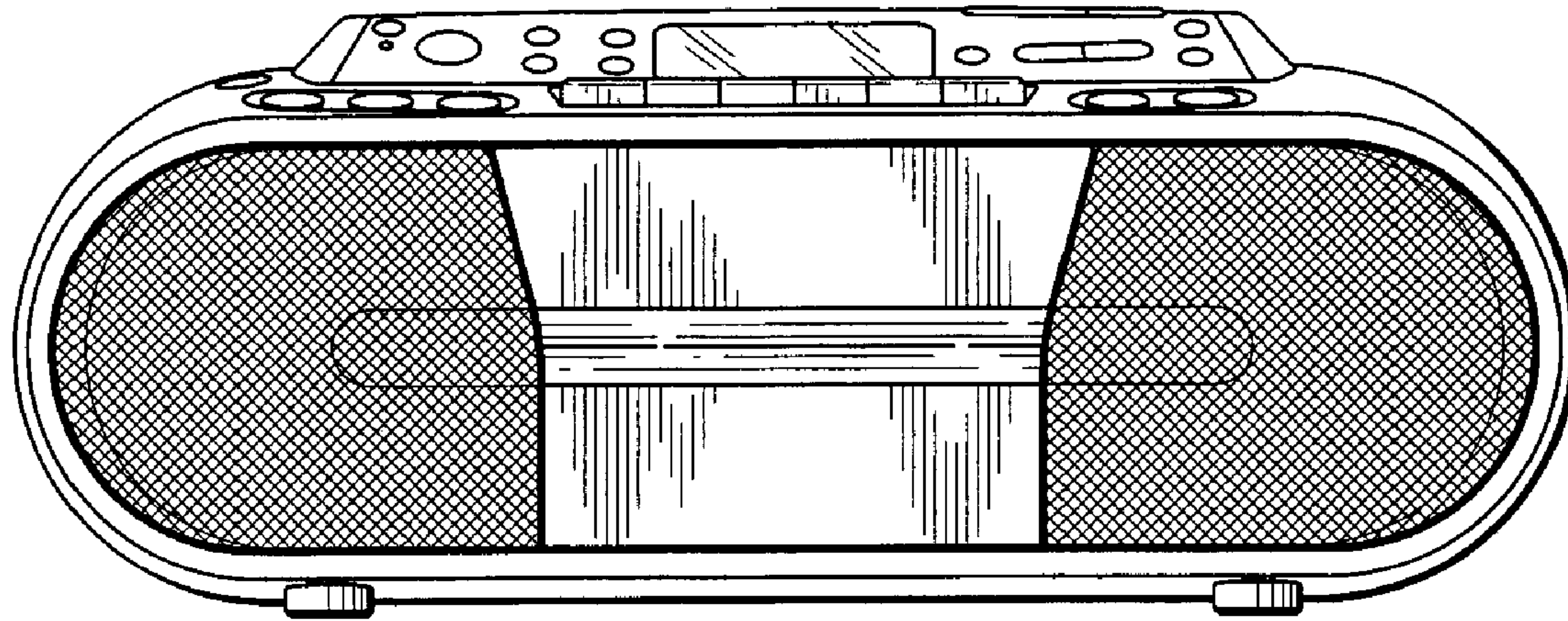


Fig. 6

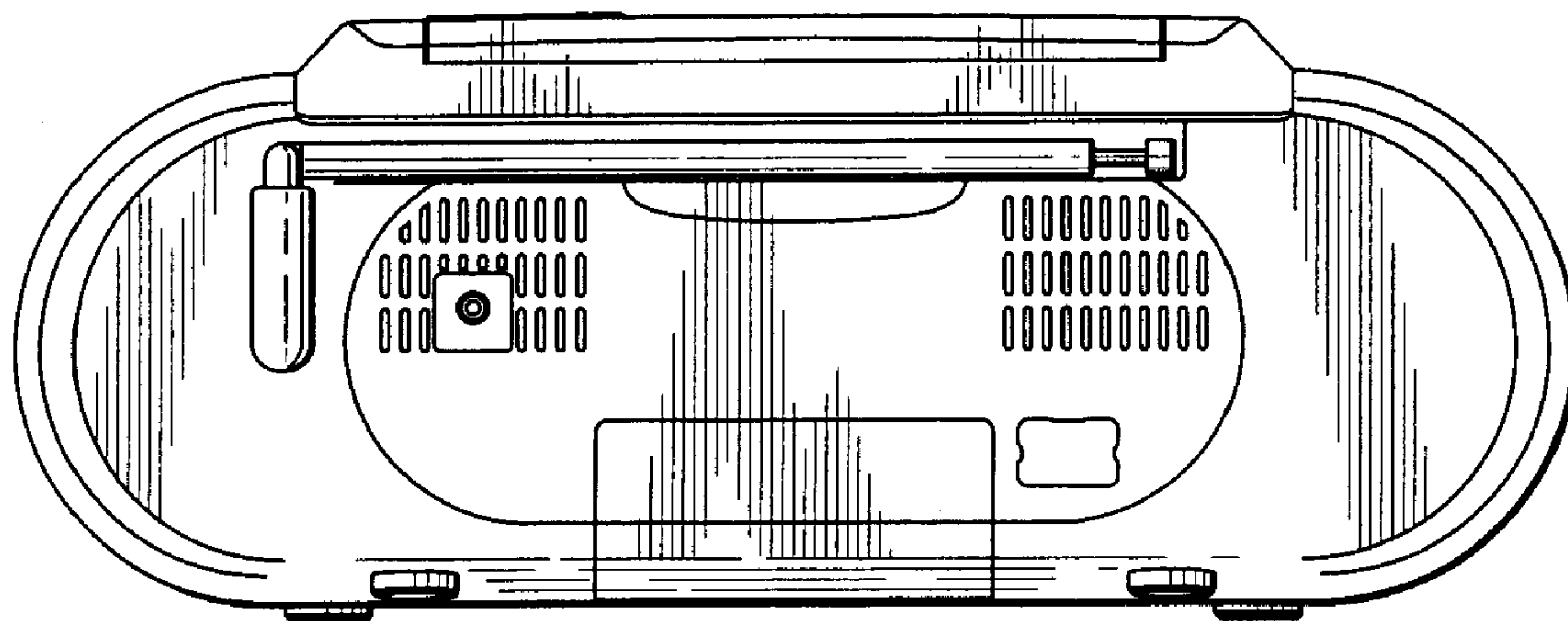


Fig. 7