

US00D547292S

(12) **United States Design Patent**  
**Kim et al.**

(10) **Patent No.:** **US D547,292 S**  
(45) **Date of Patent:** **\*\* Jul. 24, 2007**

(54) **MOBILE PHONE**

(75) Inventors: **Young-Sae Kim**, Los Altos, CA (US);  
**Chi-Young Ahn**, Seoul (KR);  
**Young-Ju Yeo**, Seoul (KR);  
**Chang-Hwan Hwang**, Goyang-si (KR)

(73) Assignee: **Samsung Electronics Co., Ltd.**,  
Suwon-Si (KR)

(\*\*) Term: **14 Years**

(21) Appl. No.: **29/243,697**

(22) Filed: **Nov. 30, 2005**

(30) **Foreign Application Priority Data**

Jun. 27, 2005 (KR) ..... 30-2005-0021400

(51) **LOC (8) Cl.** ..... **14-03**

(52) **U.S. Cl.** ..... **D14/138**

(58) **Field of Classification Search** ..... D14/137,  
D14/138, 147, 218, 341-347; 455/90.3,  
455/556.1, 556.2, 575.1, 575.3, 575.4; 379/433.01-433.13;  
361/814; 348/14.02

See application file for complete search history.

(56) **References Cited**

**U.S. PATENT DOCUMENTS**

D466,096 S *	11/2002	Takada	.....	D14/138
D479,214 S *	9/2003	Bertrand et al.	.....	D14/138
D479,215 S *	9/2003	Yokoyama	.....	D14/138
D508,473 S *	8/2005	Lee et al.	.....	D14/138
D509,813 S *	9/2005	Miyazawa et al.	.....	D14/138
D515,060 S *	2/2006	Lee et al.	.....	D14/138
7,050,767 B2 *	5/2006	Hickey et al.	.....	455/90.3
D525,608 S *	7/2006	Ryu	.....	D14/138
D525,609 S *	7/2006	Kim et al.	.....	D14/138
D526,302 S *	8/2006	Kim	.....	D14/138
D528,096 S *	9/2006	Park	.....	D14/138
D529,474 S *	10/2006	Park et al.	.....	D14/138
D531,609 S *	11/2006	Kim et al.	.....	D14/138

D531,977 S *	11/2006	Kim et al.	.....	D14/138
D534,892 S *	1/2007	Lee et al.	.....	D14/138
D535,275 S *	1/2007	Kim et al.	.....	D14/138
2005/0255897 A1 *	11/2005	Lee et al.	.....	455/575.4
2006/0043796 A1 *	3/2006	Park et al.	.....	455/575.4
2006/0111161 A1 *	5/2006	Cha et al.	.....	455/575.4
2006/0205450 A1 *	9/2006	Amano et al.	.....	455/575.4
2006/0211460 A1 *	9/2006	Jeong et al.	.....	455/575.4

**OTHER PUBLICATIONS**

Samsung D710, announced 1<sup>st</sup> quarter 2004, [online], [retrieved on Feb. 5, 2007]. Retrieved from Internet ,<URL: http://www.gsmarena.com>.\*

Samsung D800, announced 4<sup>th</sup> quarter 2005, [online], [retrieved on Feb. 6, 2007]. Retrieved from Internet ,<URL: http://www.gsmarena.com>.\*

(Continued)

*Primary Examiner*—Jeffrey Asch

*Assistant Examiner*—Bridget L. Eland

(74) *Attorney, Agent, or Firm*—Staas & Halsey LLP

(57) **CLAIM**

The ornamental design for the mobile phone, as shown and described.

**DESCRIPTION**

FIG. 1 is a perspective view of the mobile phone showing our design;

FIG. 2 is a front view thereof;

FIG. 3 is a rear view thereof;

FIG. 4 is a left side view thereof;

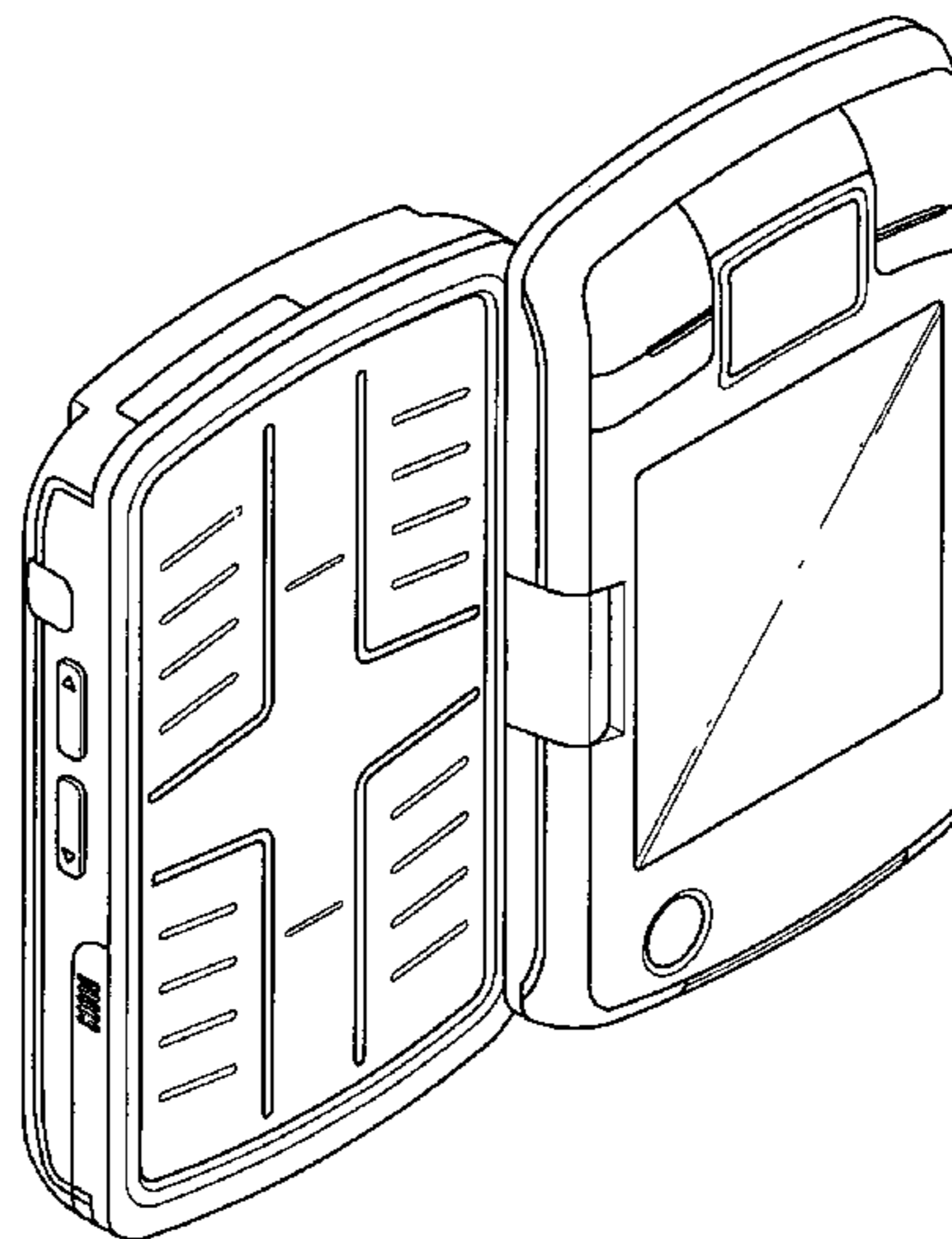
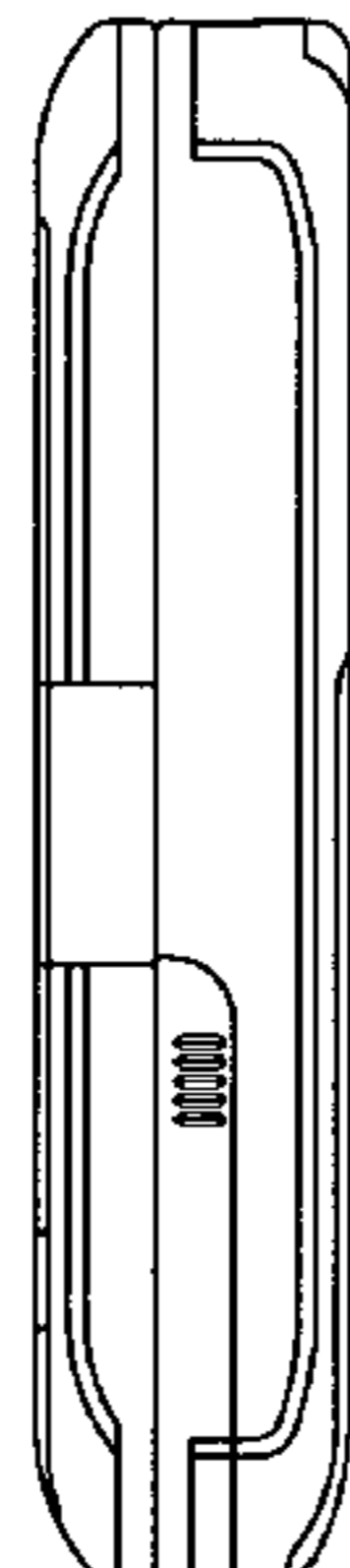
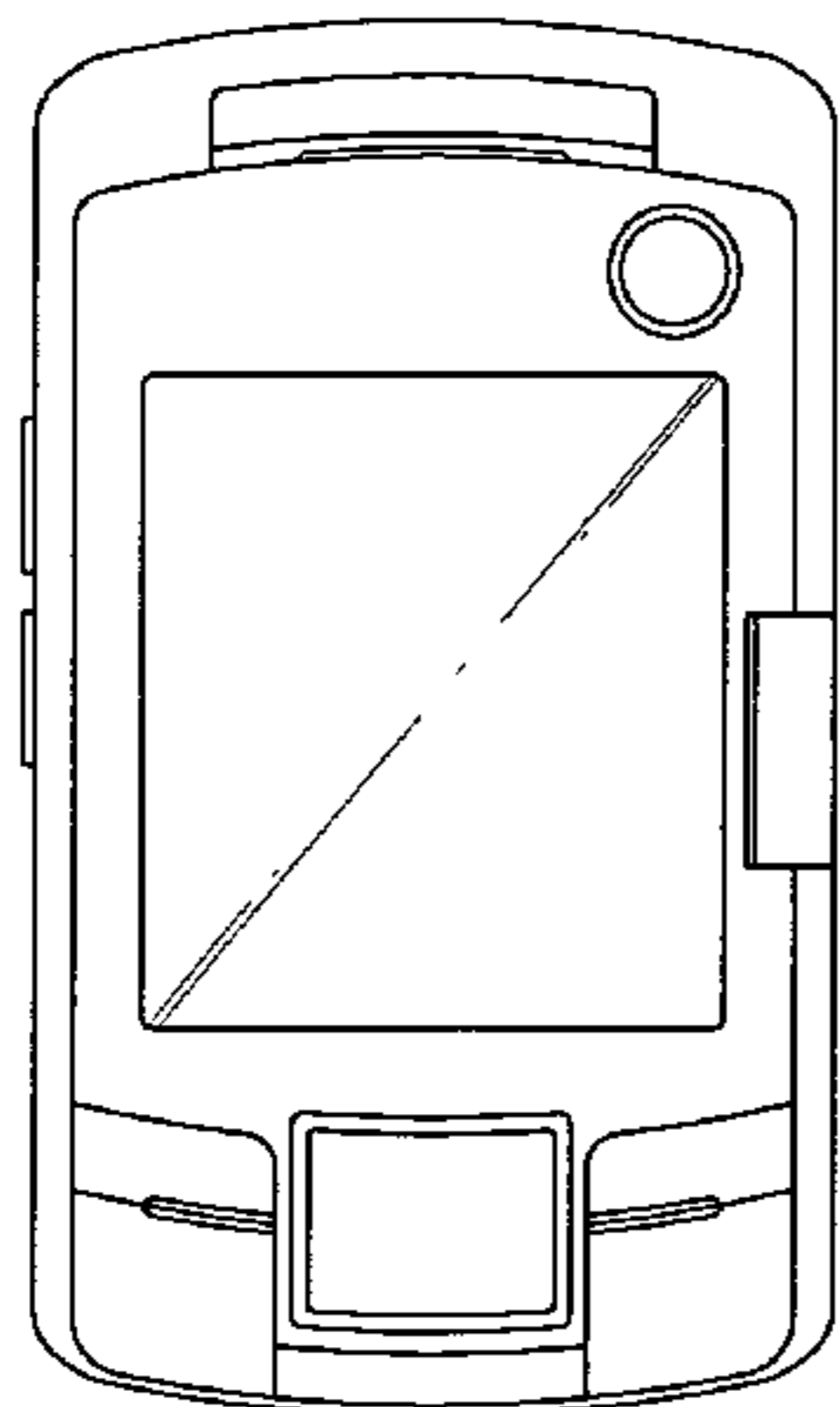
FIG. 5 is a right side view thereof;

FIG. 6 is a top plan view thereof; and

FIG. 7 is a bottom plan view thereof; and,

FIG. 8 is a perspective view, with the front open and rotated to an alternate position.

**1 Claim, 3 Drawing Sheets**



OTHER PUBLICATIONS

LG U900, announced Apr. 2006, [online], [retrieved on Feb. 6, 2007]. Retrieved from Internet ,<URL: <http://www.gsmarena.com>>.\*

Philips 960, announced Jul. 2005, [online], [retrieved on Feb. 6, 2007]. Retrieved from Internet ,<URL: <http://www.gsmarena.com>>.\*

Siemens CF110, announced Aug. 2005, [online], [retrieved on Feb. 6, 2007]. Retrieved from Internet ,<URL: <http://www.gsmarena.com>>.\*

Qtek 9000, announced Aug. 2005, [online], [retrieved on Feb. 7, 2007]. Retrieved from Internet ,<URL: <http://www.gsmarena.com>>.\*

\* cited by examiner

FIG. 1

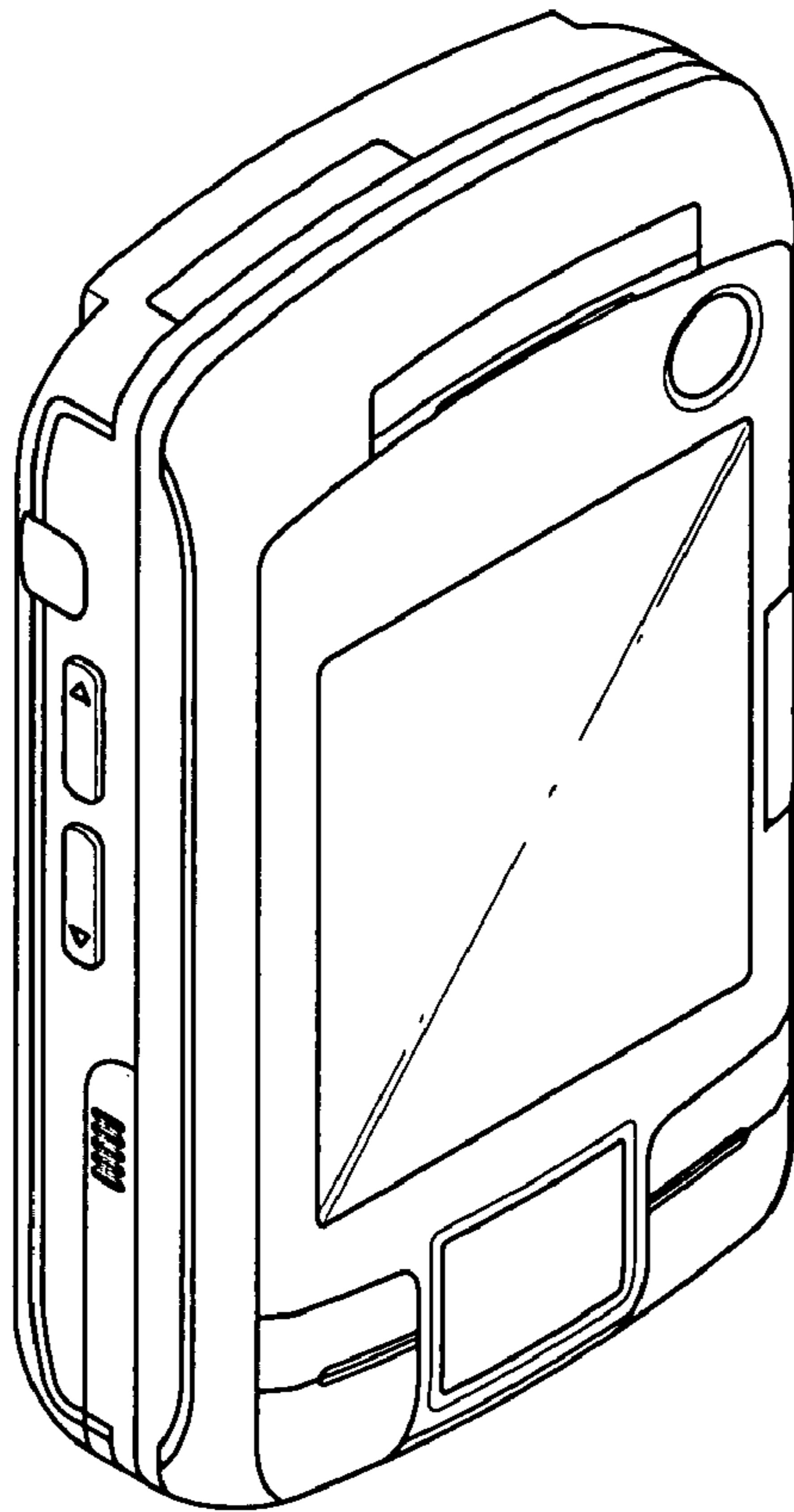


FIG. 2

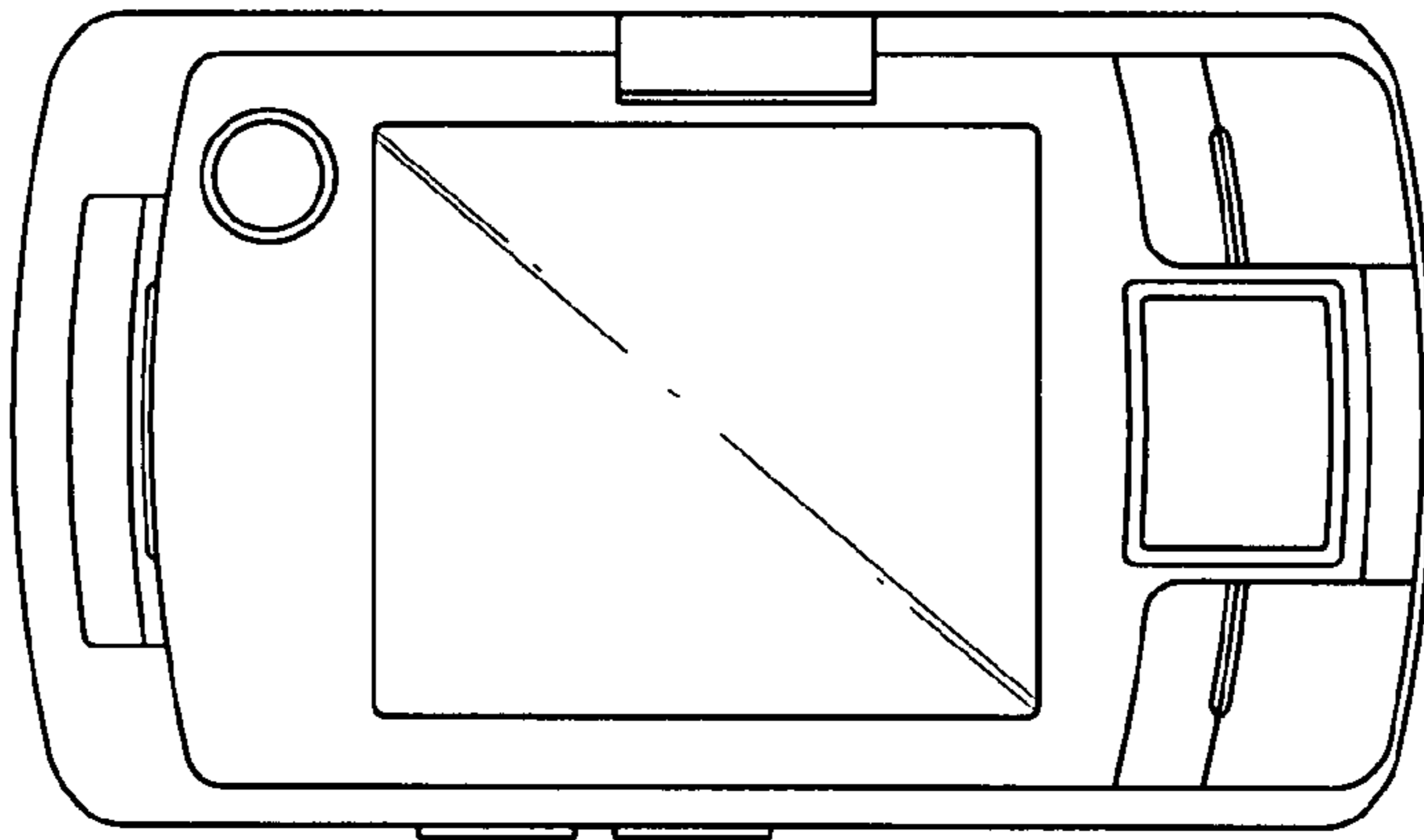


FIG. 3

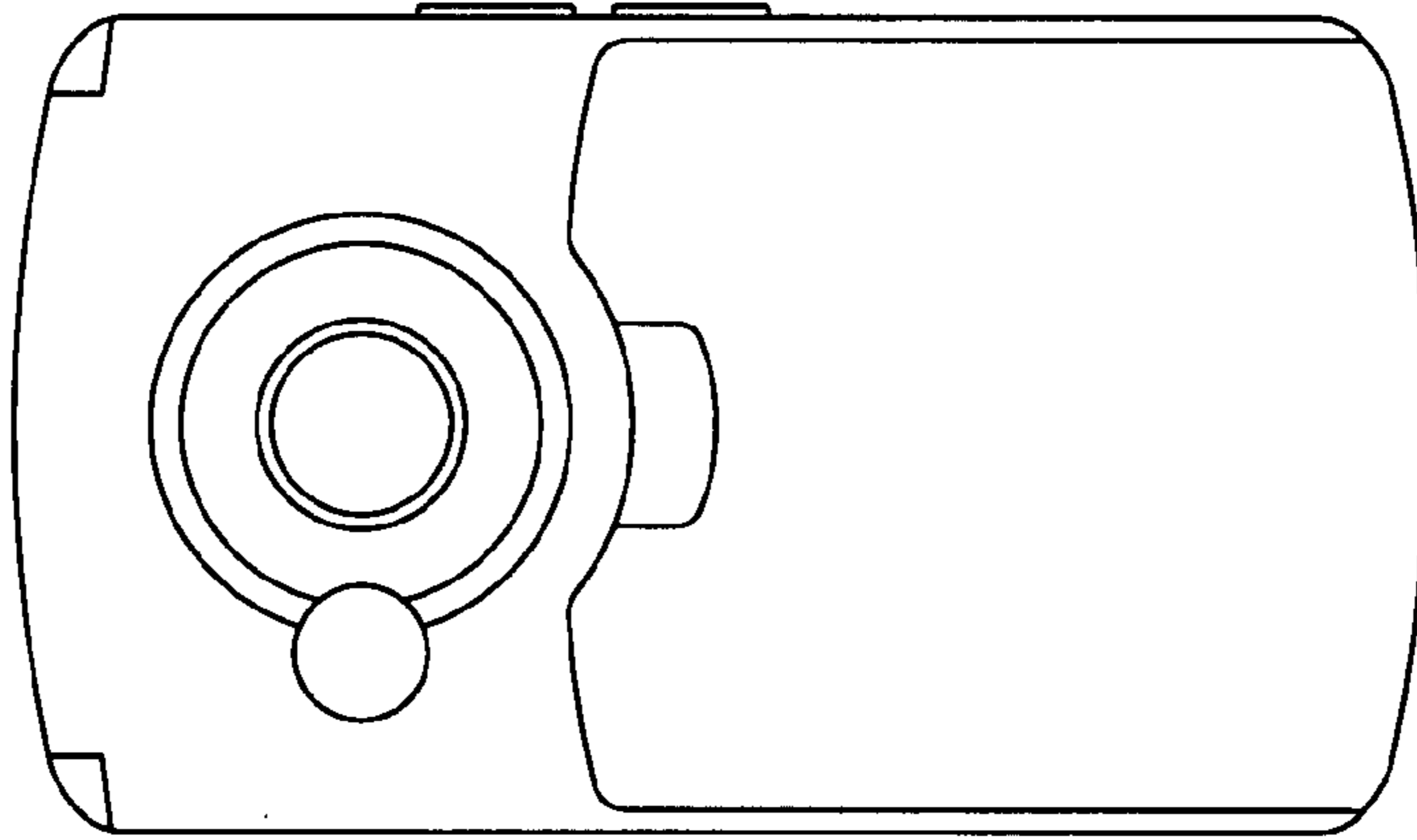


FIG. 4

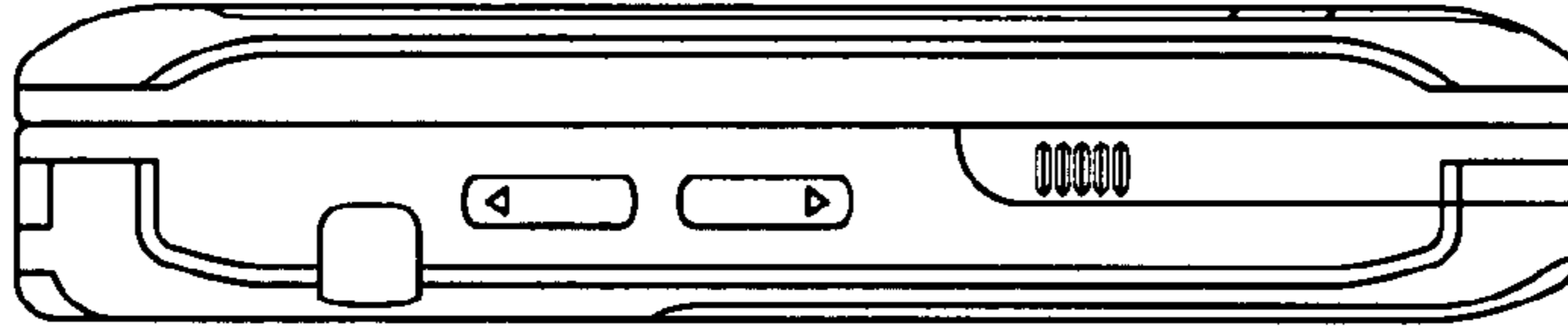


FIG. 5

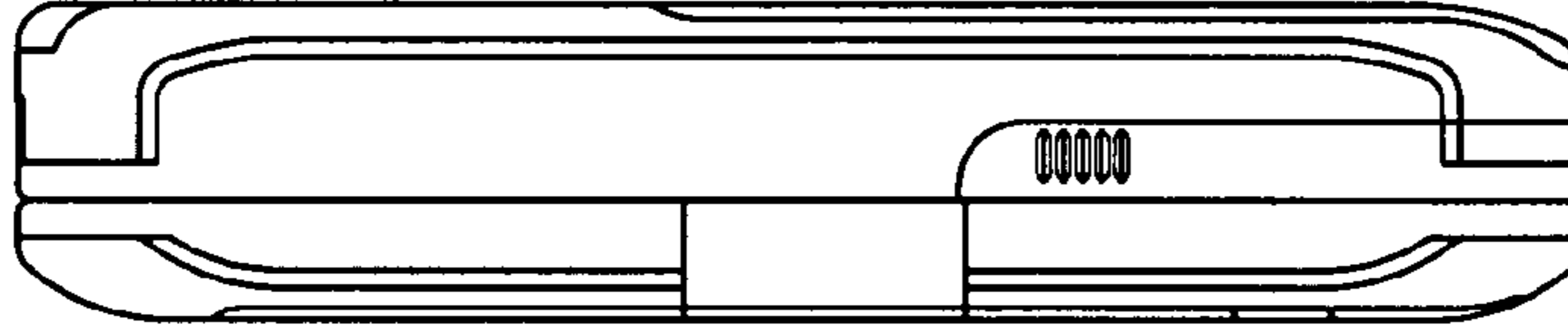


FIG. 6

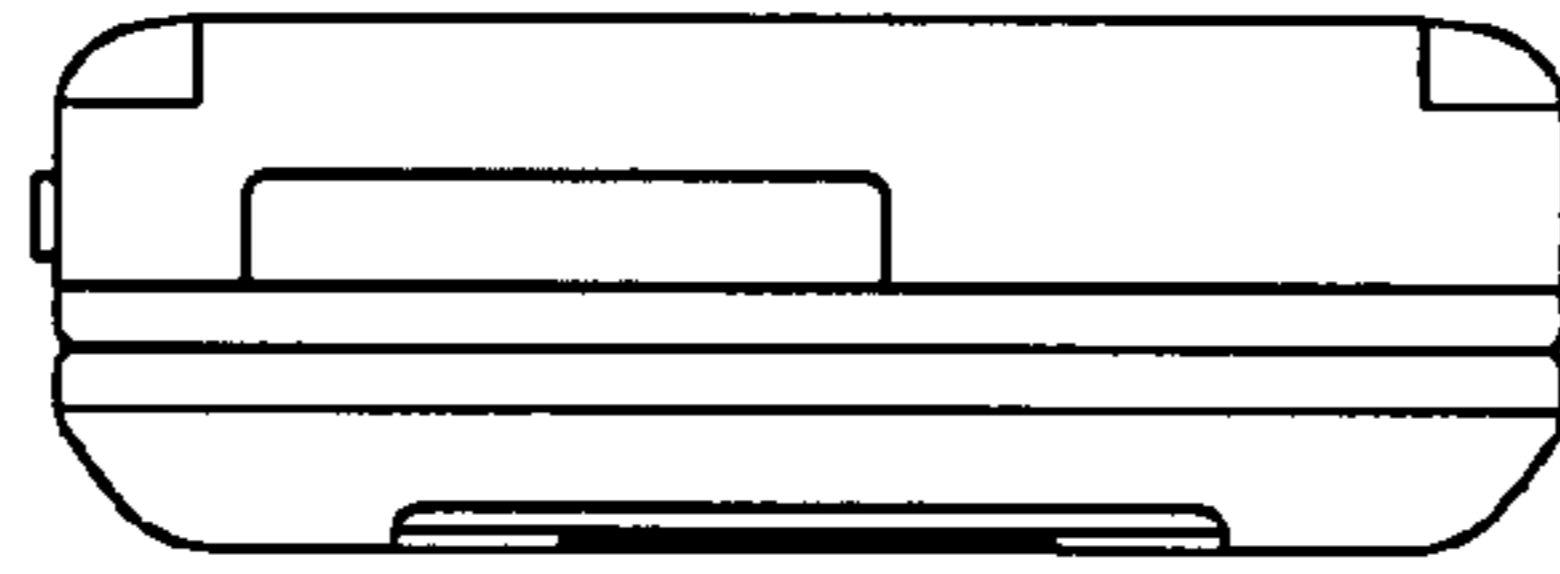


FIG. 7

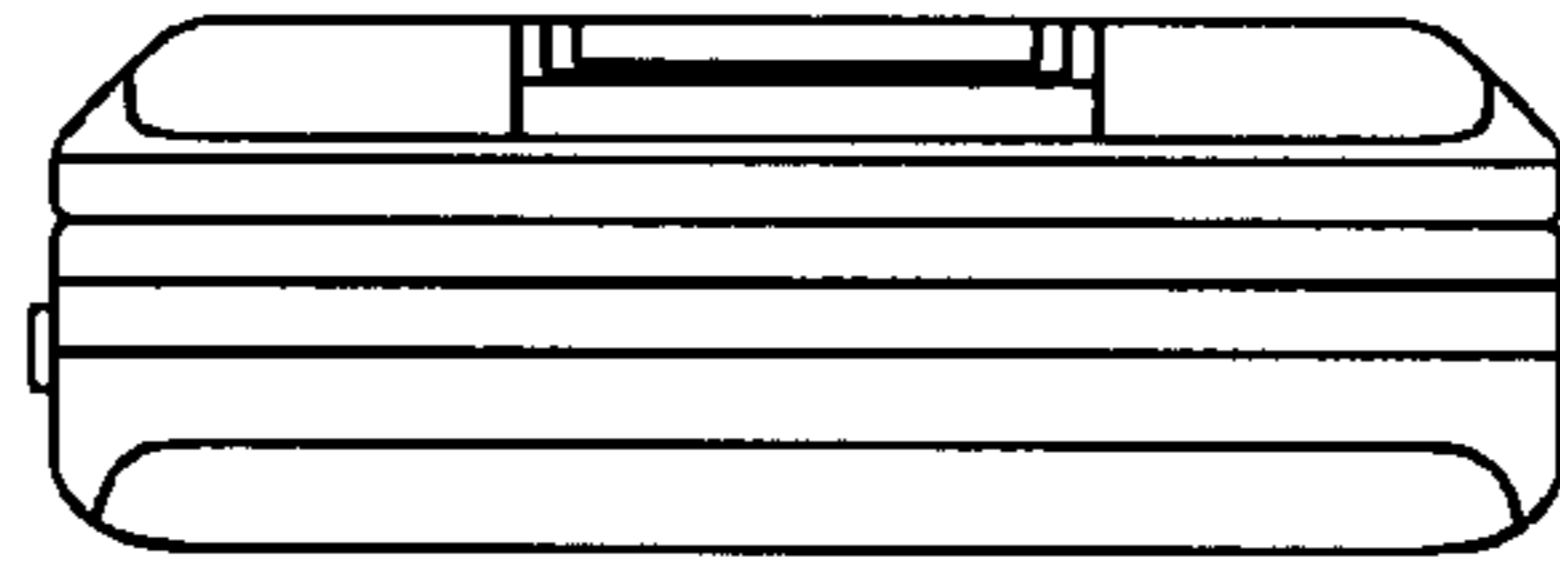


FIG. 8

