



US00D547288S

(12) **United States Design Patent**  
**Hakoda**

(10) **Patent No.:** **US D547,288 S**

(45) **Date of Patent:** **\*\* Jul. 24, 2007**

(54) **COMBINED DISC PLAYER AND AMPLIFIER**

(75) Inventor: **Katsuhisa Hakoda**, Tokyo (JP)

(73) Assignee: **Sony Corporation**, Tokyo (JP)

(\*\*) Term: **14 Years**

(21) Appl. No.: **29/251,803**

(22) Filed: **Jan. 13, 2006**

(30) **Foreign Application Priority Data**

Sep. 9, 2005 (JP) ..... D2005-026113

(51) **LOC (8) Cl.** ..... **14-01**

(52) **U.S. Cl.** ..... **D14/136**

(58) **Field of Classification Search** ..... D14/135-136,  
D14/156-157, 160-165, 167-168, 193-198,  
D14/188, 217, 257, 258, 445; 360/99.02,  
360/99.07; 369/75.11, 75.21, 77.21, 77.11;  
720/612, 619, 647, 655; 455/344, 347-351  
See application file for complete search history.

(56) **References Cited**

**U.S. PATENT DOCUMENTS**

5,859,828 A \* 1/1999 Ishibashi ..... 720/655  
D407,393 S 3/1999 Kazama  
D418,130 S 12/1999 Iribe  
D431,033 S 9/2000 Takahashi et al.

D479,519 S \* 9/2003 Hisatsune ..... D14/168  
D501,193 S 1/2005 Tsuge  
D512,037 S \* 11/2005 Huang ..... D14/136  
D512,974 S \* 12/2005 Nasrallah ..... D14/136

**FOREIGN PATENT DOCUMENTS**

JP D1216346 S 9/2004

\* cited by examiner

*Primary Examiner*—Nanda Bondade

(74) *Attorney, Agent, or Firm*—Rader, Fishman & Grauer  
PLLC

(57) **CLAIM**

The ornamental design for a combined disc player and amplifier, as shown.

**DESCRIPTION**

FIG. 1 is a perspective view of a combined disc player and amplifier showing my new design;

FIG. 2 is a front elevational view thereof;

FIG. 3 is a rear elevational view thereof;

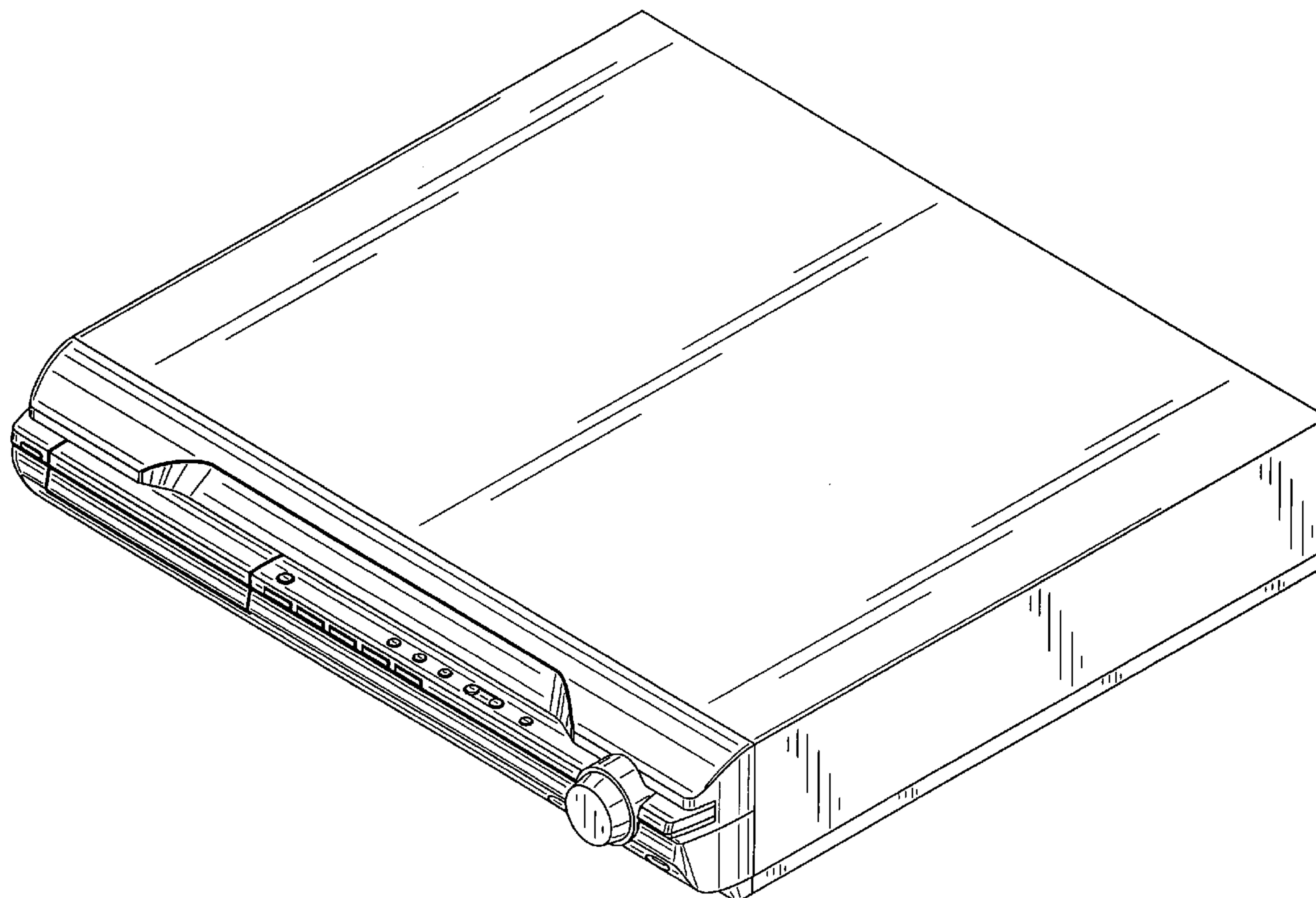
FIG. 4 is a left side elevational view thereof;

FIG. 5 is a right side elevational view thereof;

FIG. 6 is a top plan view thereof; and,

FIG. 7 is a bottom plan view thereof.

**1 Claim, 7 Drawing Sheets**



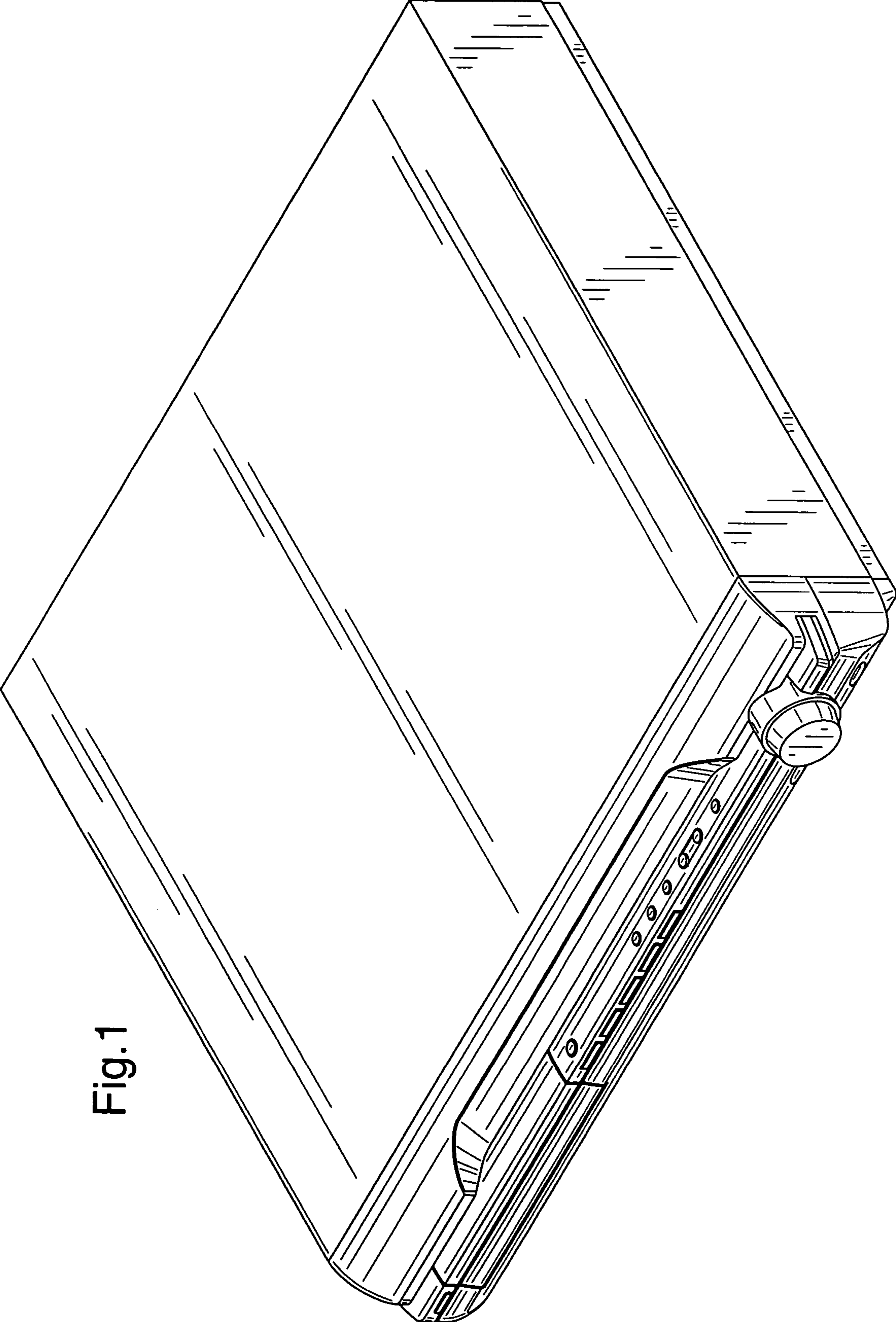


Fig.1

Fig. 2

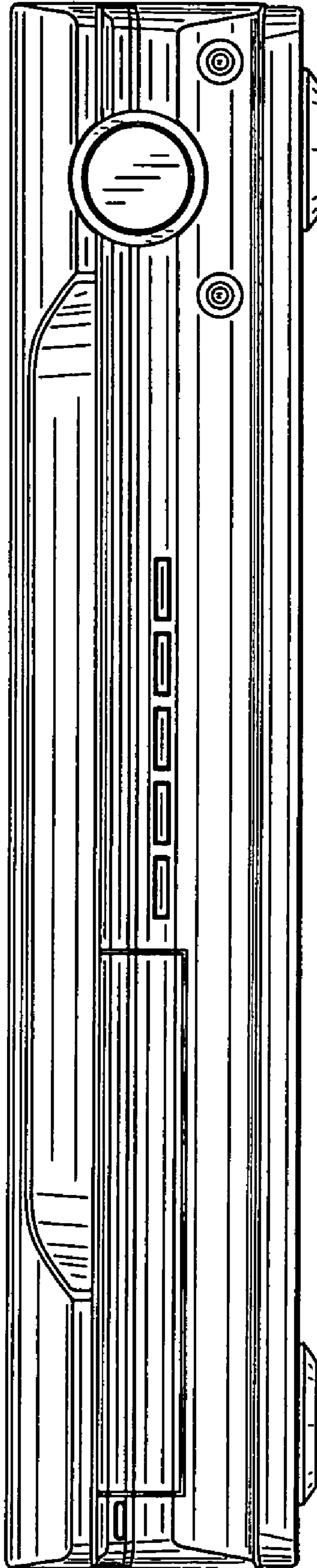


Fig.3

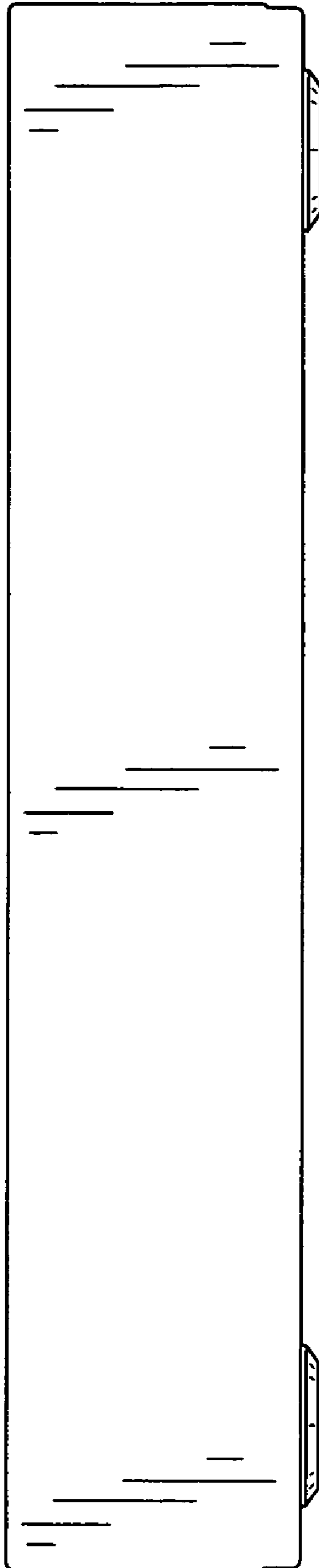


Fig.4

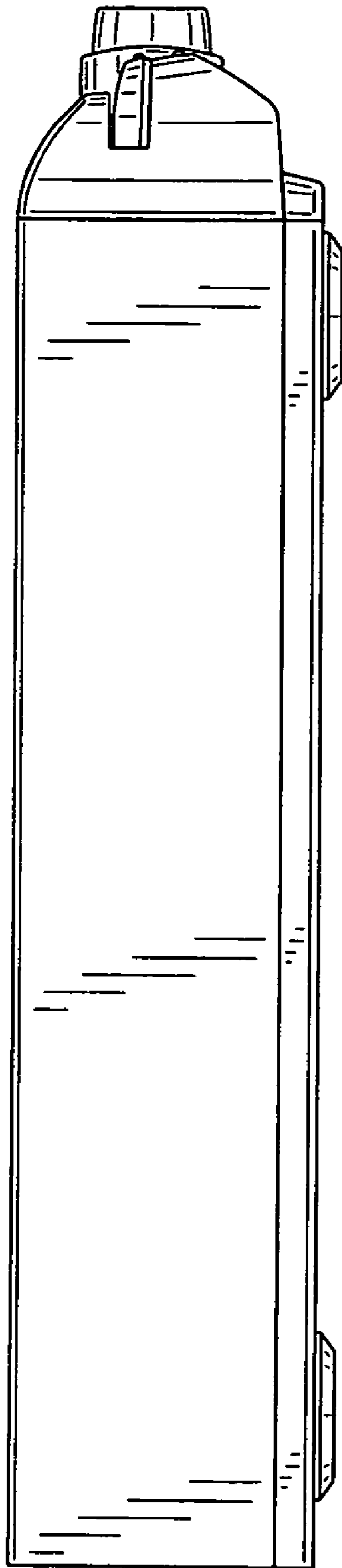
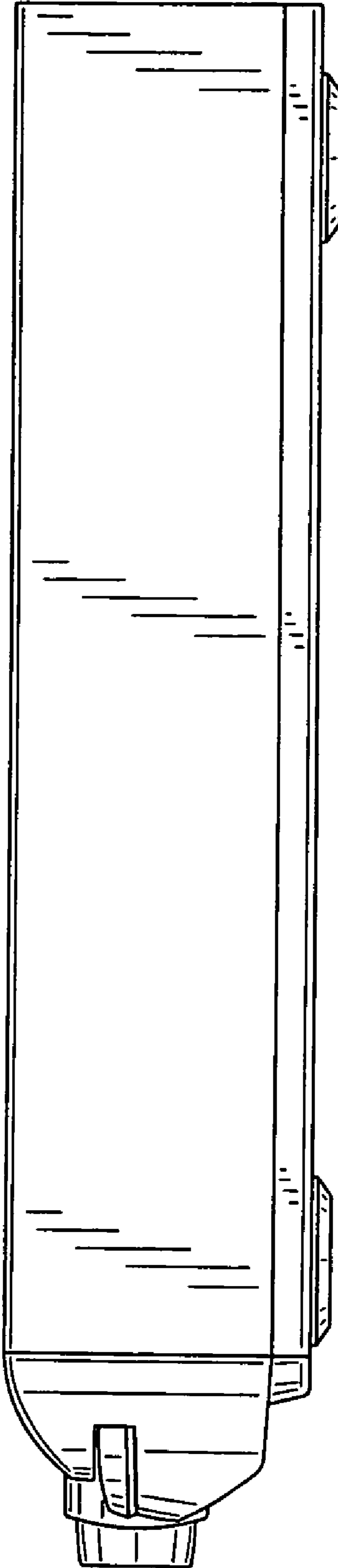


Fig. 5



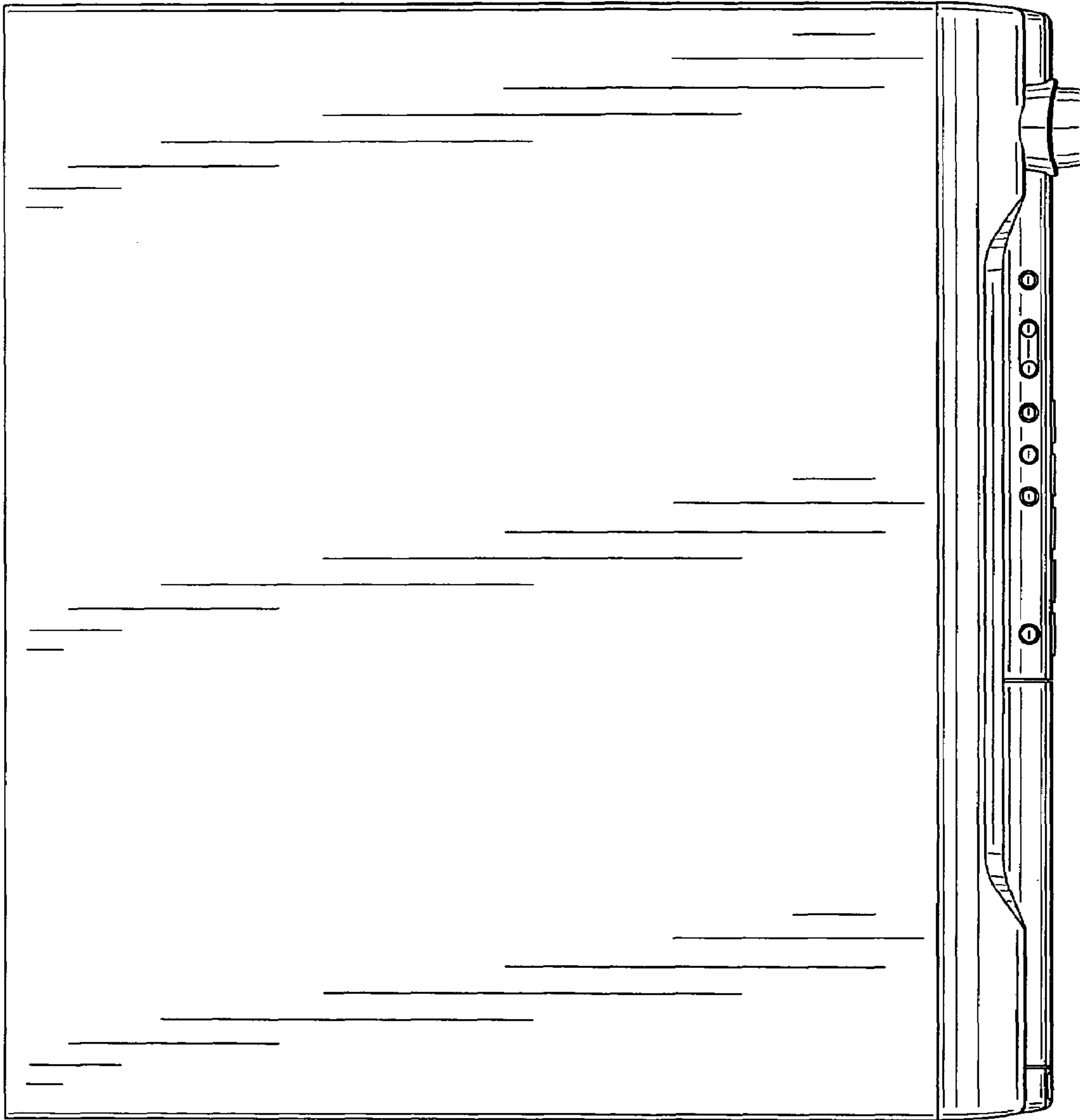


Fig.6

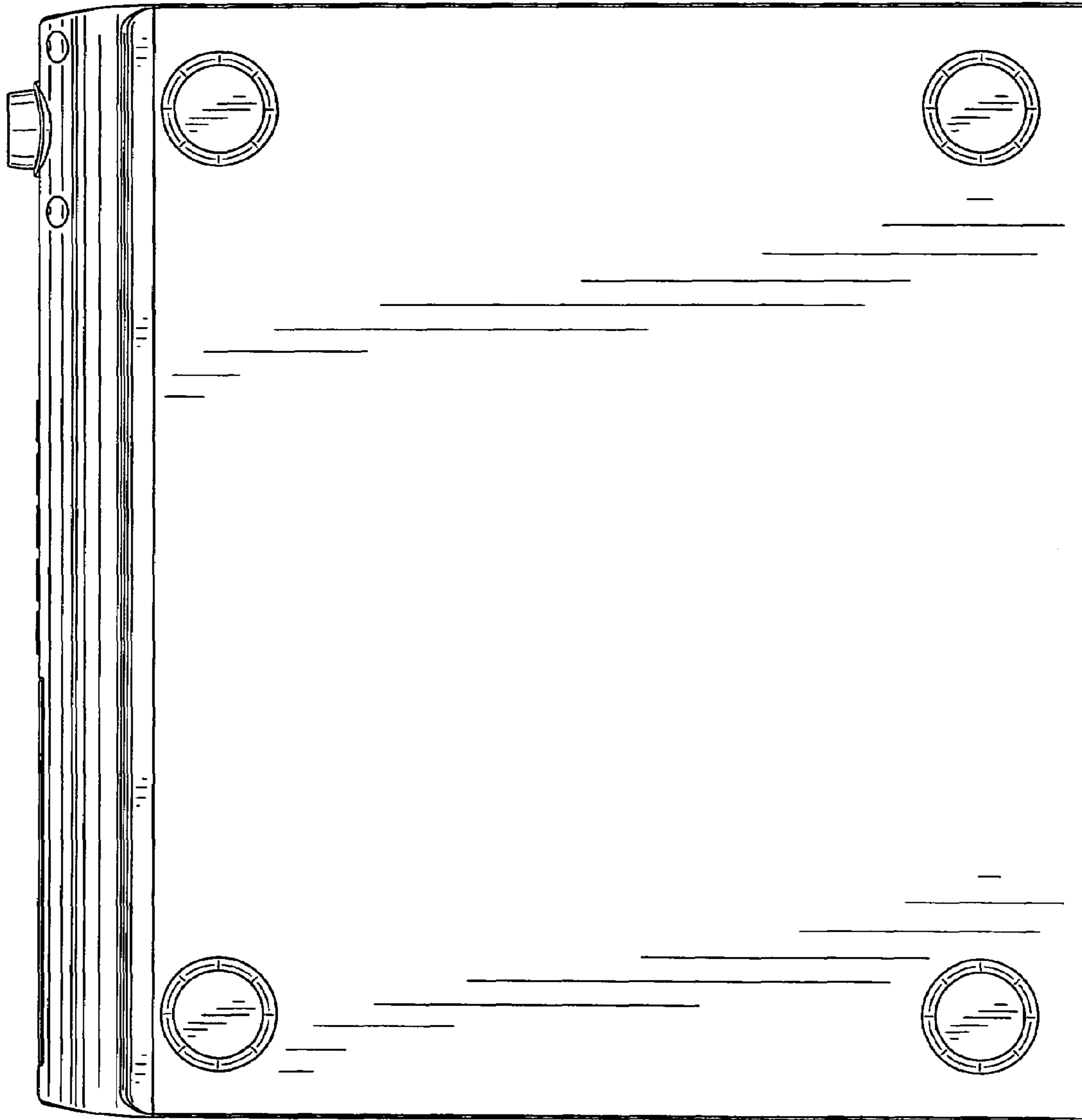


Fig. 7