

US00D547287S

(12) **United States Design Patent**
Yuyama

(10) **Patent No.:** **US D547,287 S**

(45) **Date of Patent:** **** Jul. 24, 2007**

(54) **COMBINED DISC PLAYER AND AMPLIFIER**

D513,507 S * 1/2006 Tsuge D14/156
D524,775 S * 7/2006 Liu D14/136

(75) Inventor: **Yasuo Yuyama**, Tokyo (JP)

FOREIGN PATENT DOCUMENTS

(73) Assignee: **Sony Corporation**, Tokyo (JP)

JP D1139681 S 4/2002
JP D1226379 S 12/2004
JP D1226720 S 12/2004
JP D1226735 S 12/2004

(**) Term: **14 Years**

* cited by examiner

(21) Appl. No.: **29/251,698**

(22) Filed: **Jan. 12, 2006**

Primary Examiner—Nanda Bondade

(30) **Foreign Application Priority Data**

(74) *Attorney, Agent, or Firm*—Rader, Fishman & Grauer PLLC

Sep. 9, 2005 (JP) D2005-026108

(57) **CLAIM**

(51) **LOC (8) Cl.** **14-01**

The ornamental design for a combined disc player and amplifier, as shown.

(52) **U.S. Cl.** **D14/136**

(58) **Field of Classification Search** D14/135–136,
D14/156–157, 160–165, 167–168, 193–198,
D14/188, 217, 257, 258, 445; 360/99.02,
360/99.07; 369/75.11, 75.21, 77.21, 77.11;
720/612, 619, 647, 655; 455/344, 347–351
See application file for complete search history.

DESCRIPTION

FIG. 1 is a perspective view of a combined disc player and amplifier showing my new design;
FIG. 2 is a front elevational view thereof;
FIG. 3 is a rear elevational view thereof;
FIG. 4 is a left side elevational view thereof;
FIG. 5 is a right side elevational view thereof;
FIG. 6 is a top plan view thereof; and,
FIG. 7 is a bottom plan view thereof.

(56) **References Cited**

U.S. PATENT DOCUMENTS

5,859,828 A * 1/1999 Ishibashi 720/655
D488,798 S 4/2004 Ishii et al.
D511,757 S * 11/2005 Wu D14/136
D512,037 S * 11/2005 Huang D14/136
D512,974 S * 12/2005 Nasrallah D14/136

1 Claim, 7 Drawing Sheets

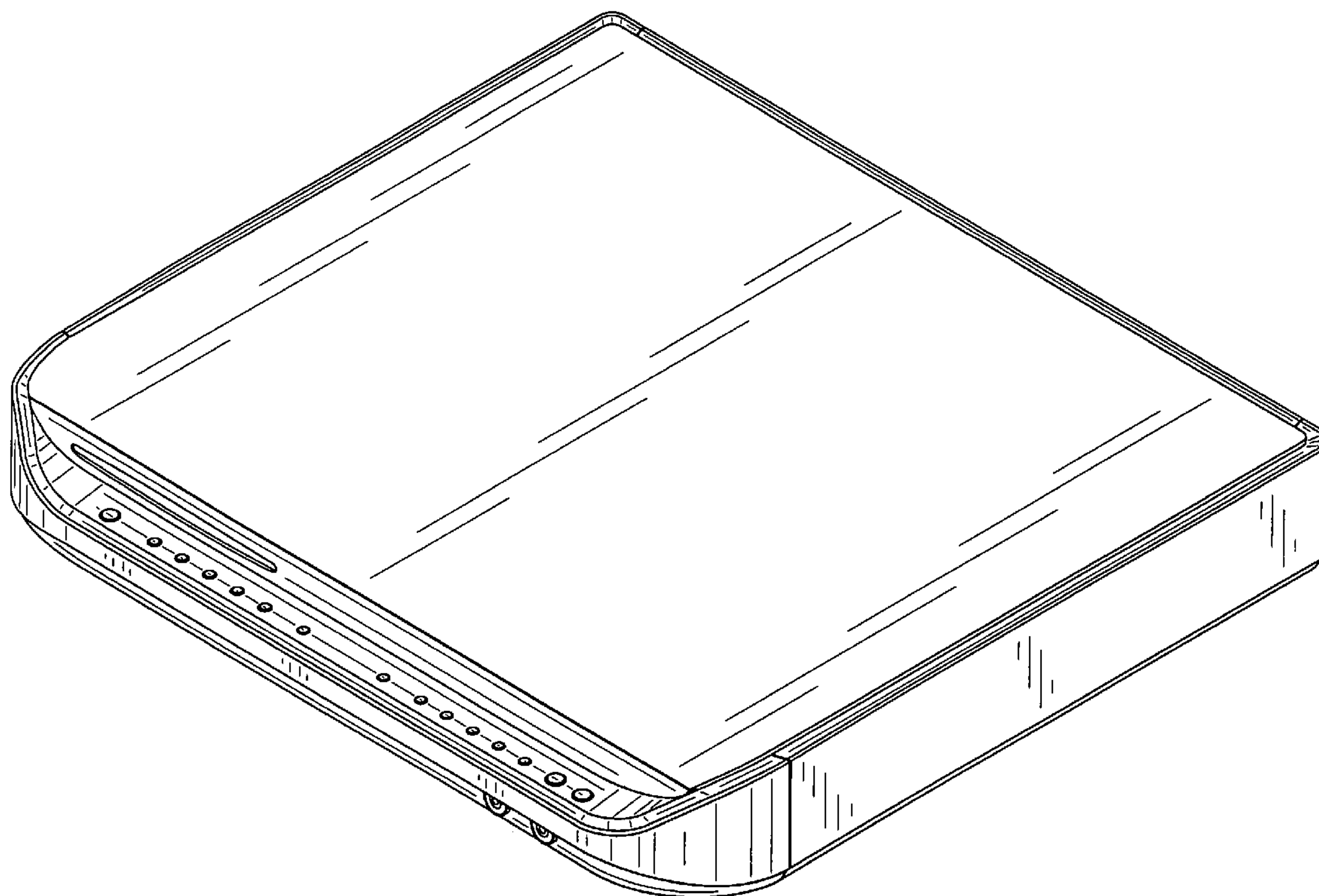


Fig. 1

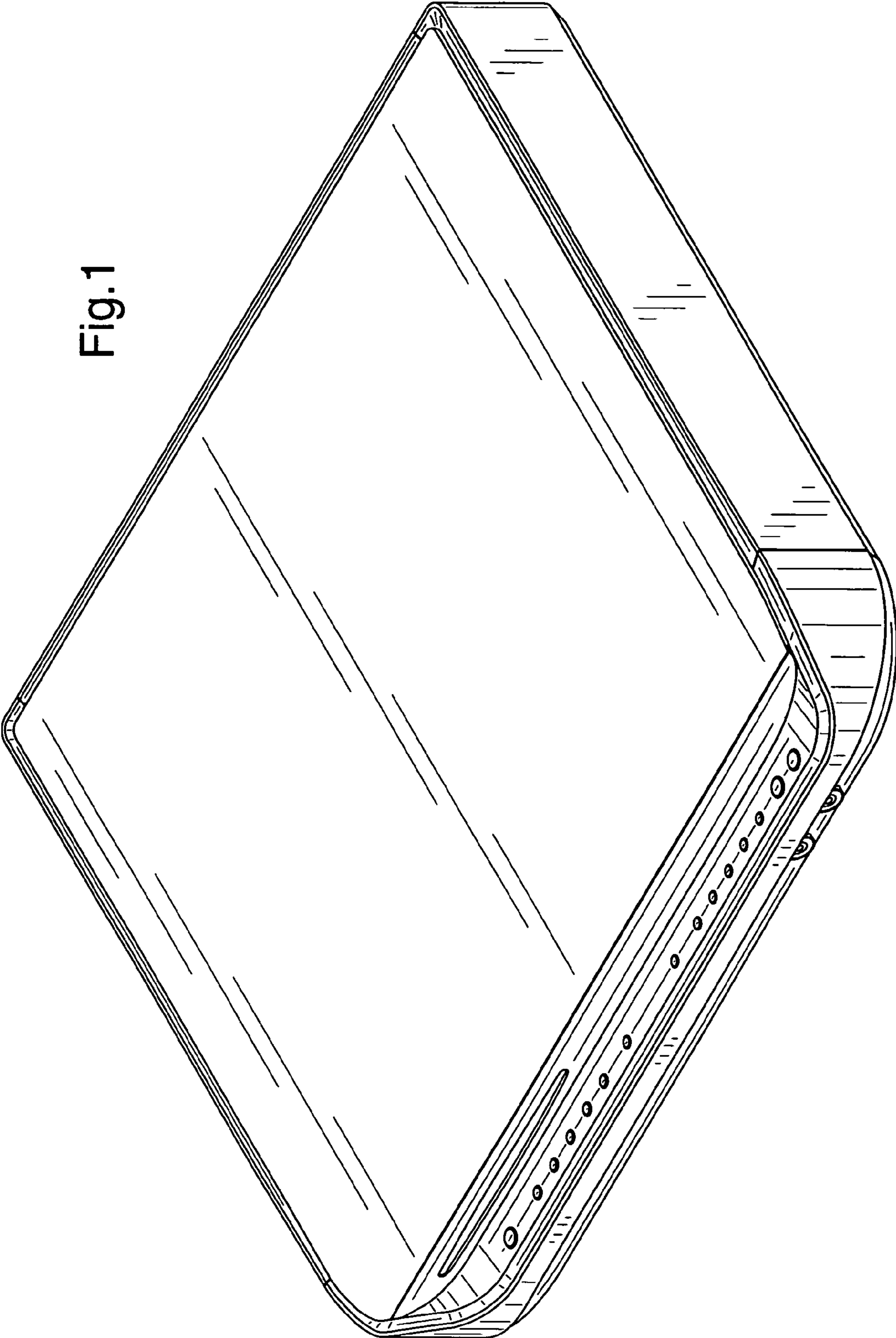


Fig.2

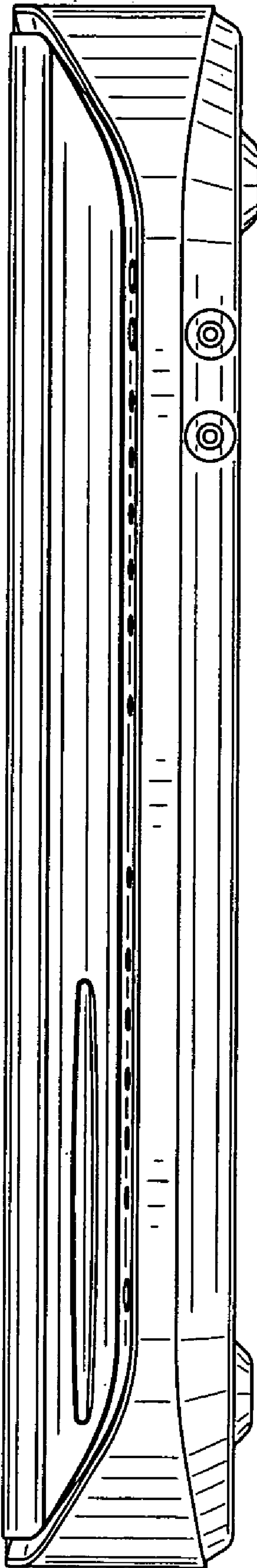


Fig.3

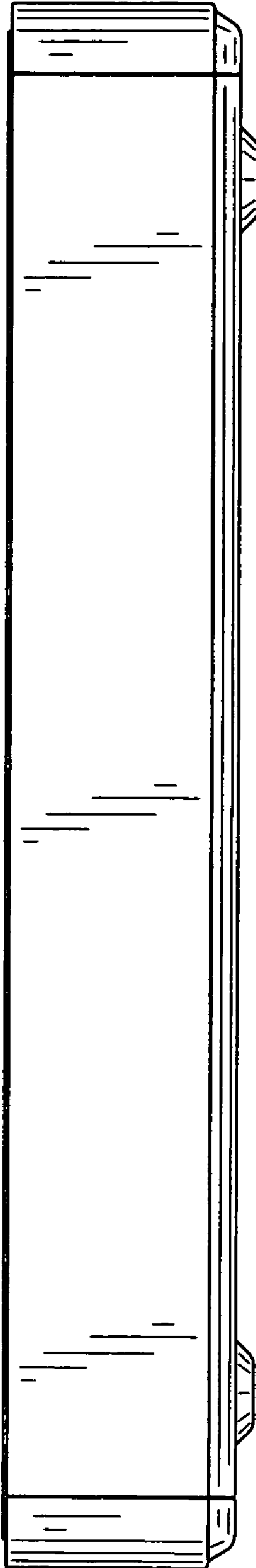


Fig. 4

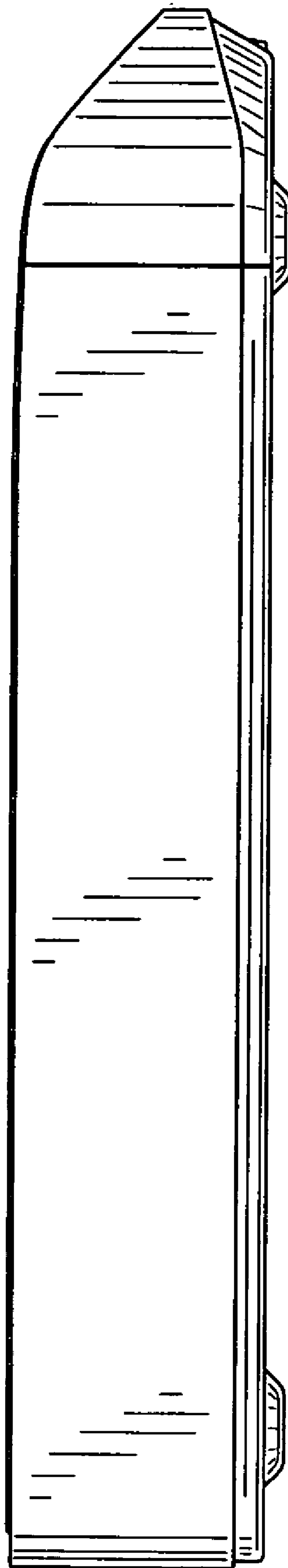
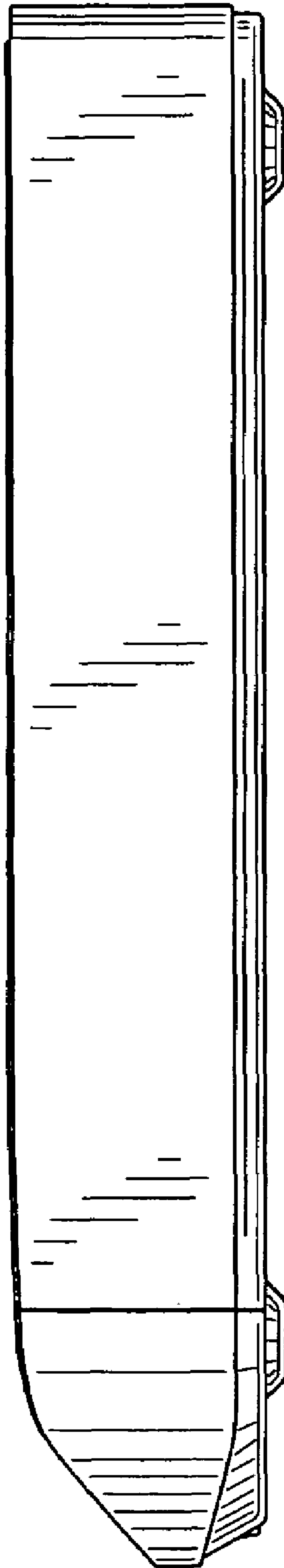


Fig. 5



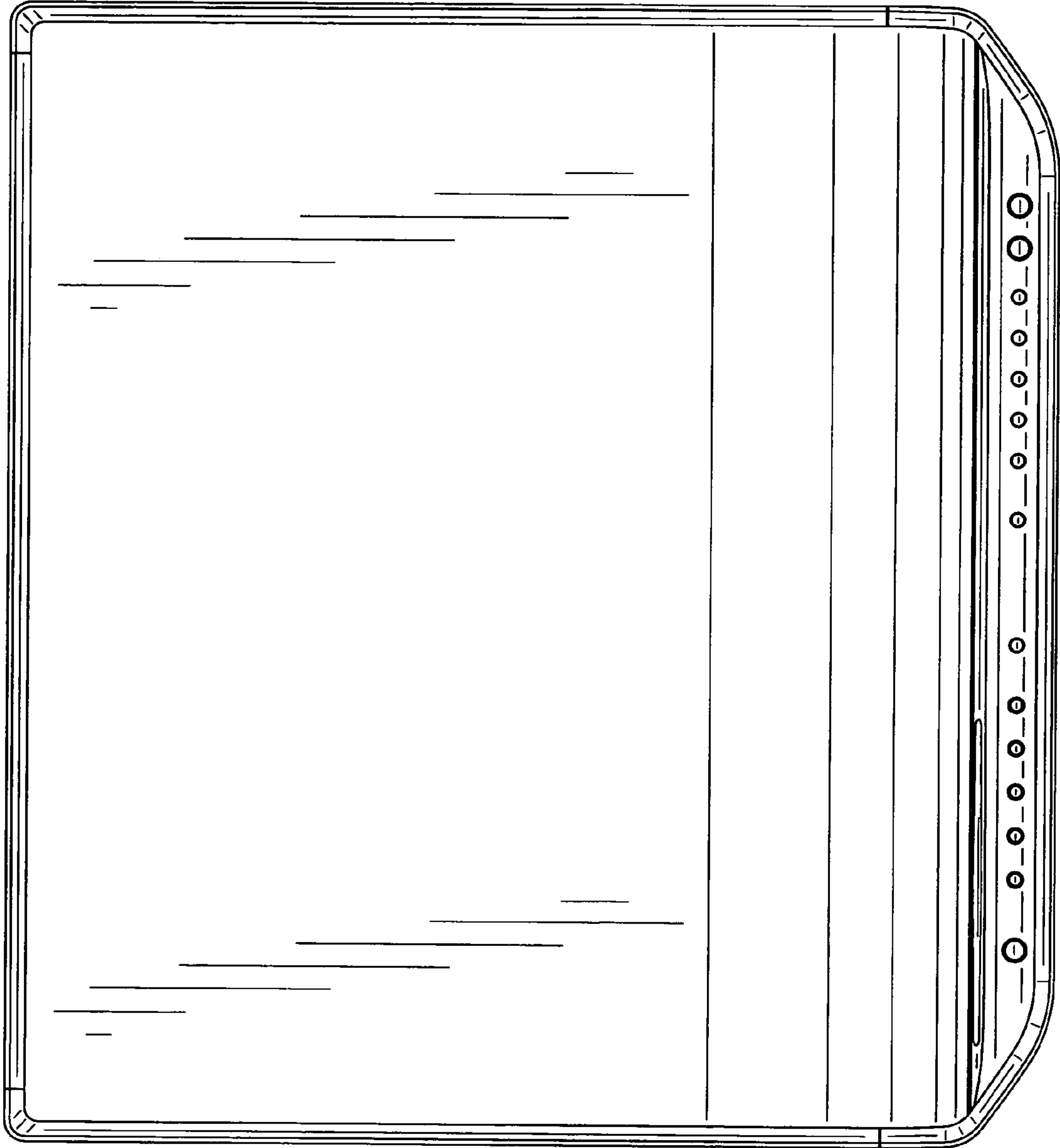


Fig.6

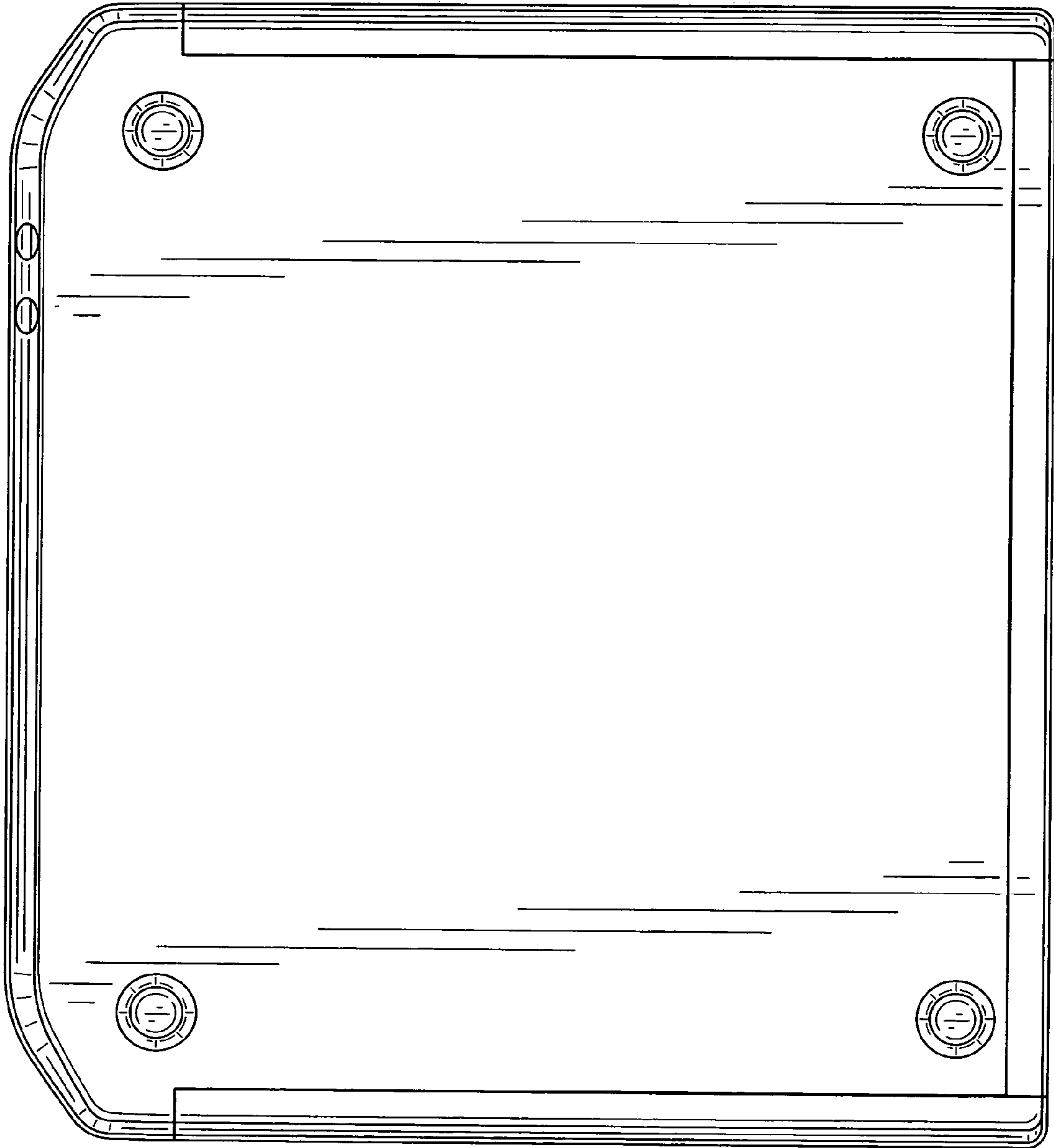


Fig.7