



US00D547286S

(12) **United States Design Patent**
Yuyama

(10) **Patent No.:** **US D547,286 S**
(45) **Date of Patent:** **** Jul. 24, 2007**

(54) **COMBINED DISC PLAYER AND AMPLIFIER**

D524,775 S * 7/2006 Liu D14/136

(75) Inventor: **Yasuo Yuyama**, Tokyo (JP)

(73) Assignee: **Sony Corporation**, Tokyo (JP)

(**) Term: **14 Years**

(21) Appl. No.: **29/251,693**

(22) Filed: **Jan. 12, 2006**

(30) **Foreign Application Priority Data**

Sep. 9, 2005 (JP) 2005-026109

(51) **LOC (8) Cl.** **14-01**

(52) **U.S. Cl.** **D14/136**

(58) **Field of Classification Search** D14/135-136,
D14/156-157, 160-165, 167-168, 193-198,
D14/188, 217, 257, 258, 445; 360/99.02,
360/99.07; 369/75.11, 75.21, 77.21, 77.11;
720/612, 619, 647, 655; 455/344, 347-351
See application file for complete search history.

(56) **References Cited**

U.S. PATENT DOCUMENTS

- 5,859,828 A * 1/1999 Ishibashi 720/655
- D488,798 S 4/2004 Ishii et al
- D511,757 S * 11/2005 Wu D14/136
- D512,037 S * 11/2005 Huang D14/136
- D512,974 S * 12/2005 Nasrallah D14/136
- D513,507 S * 1/2006 Tsuge D14/156

FOREIGN PATENT DOCUMENTS

- JP D1139681 S 4/2002
- JP D1226379 S 12/2004
- JP D1226720 S 12/2004
- JP D1226735 S 12/2004

* cited by examiner

Primary Examiner—Nanda Bondade

(74) *Attorney, Agent, or Firm*—Rader, Fishman & Grauer PLLC

(57) **CLAIM**

The ornamental design for a combined disc player and amplifier, as shown and described.

DESCRIPTION

FIG. 1 is a perspective view of a combined disc player and amplifier showing my new design;

FIG. 2 is a front elevational view thereof;

FIG. 3 is a rear elevational view thereof;

FIG. 4 is a left side elevational view thereof;

FIG. 5 is a right side elevational view thereof;

FIG. 6 is a top plan view thereof; and,

FIG. 7 is a bottom plan view thereof.

Portions of FIGS. 1-7 that are shown as broken lines are for illustrative purpose only and form no part of the claimed design.

1 Claim, 7 Drawing Sheets

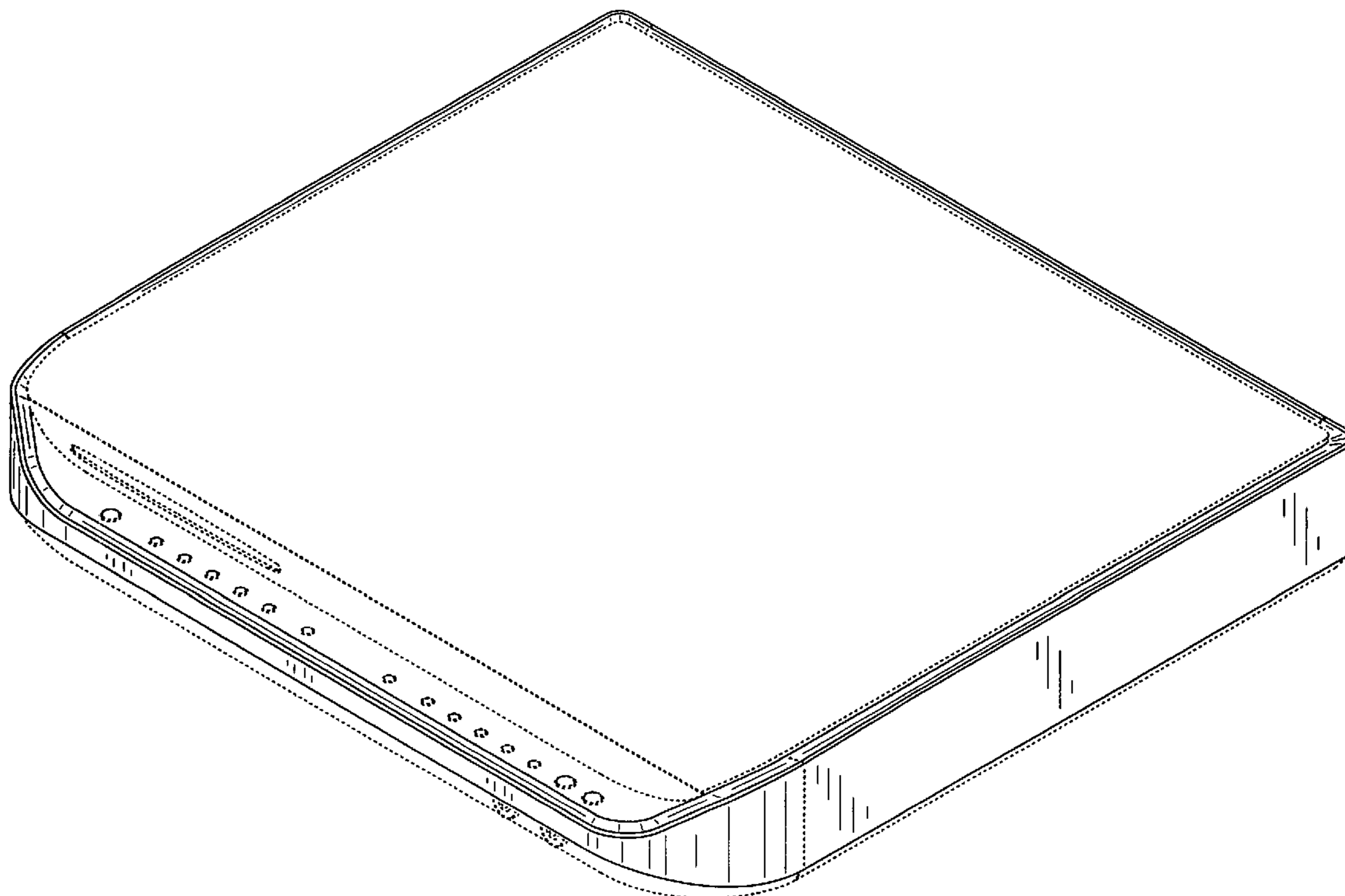


Fig.1

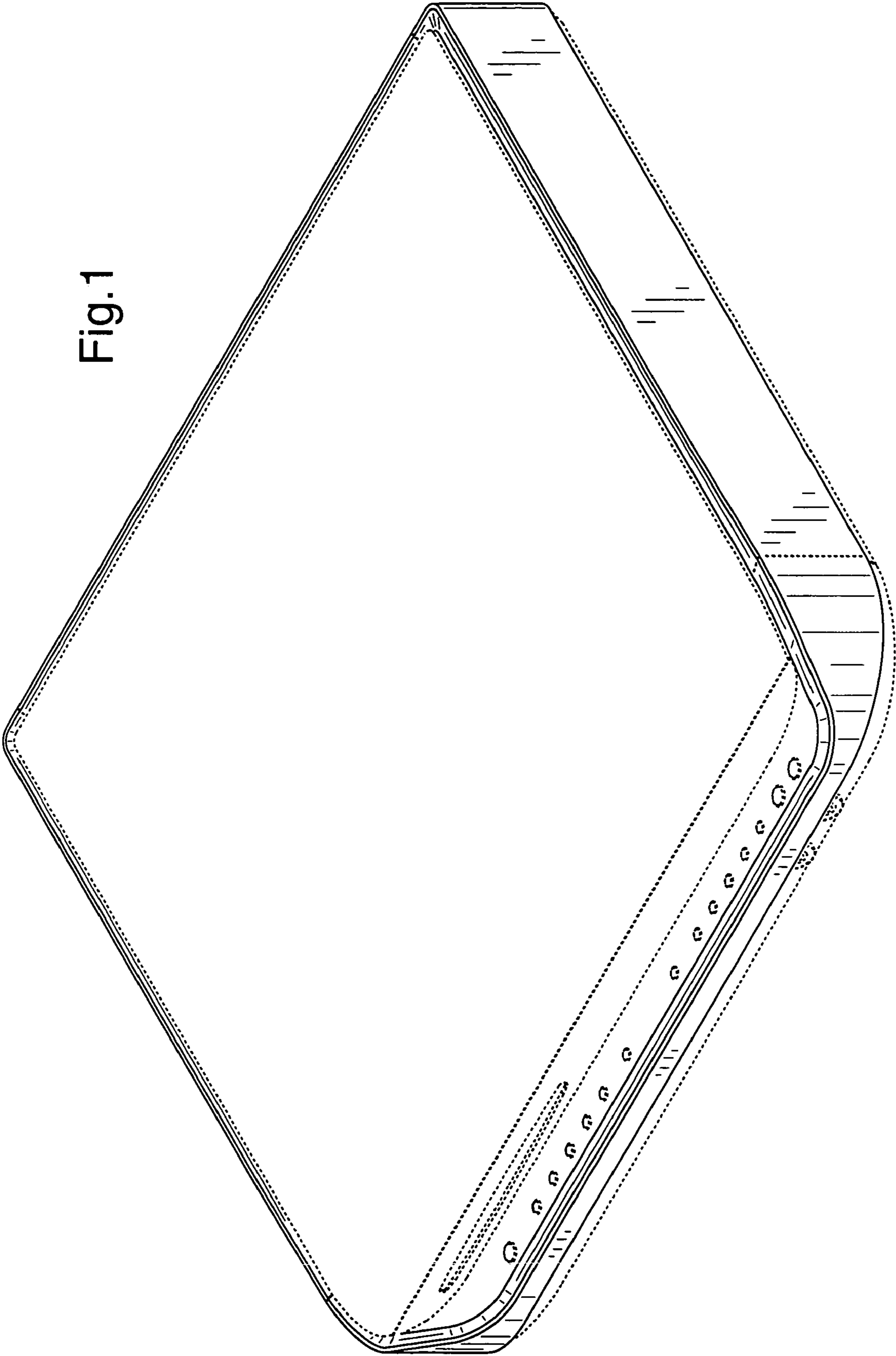


Fig.2

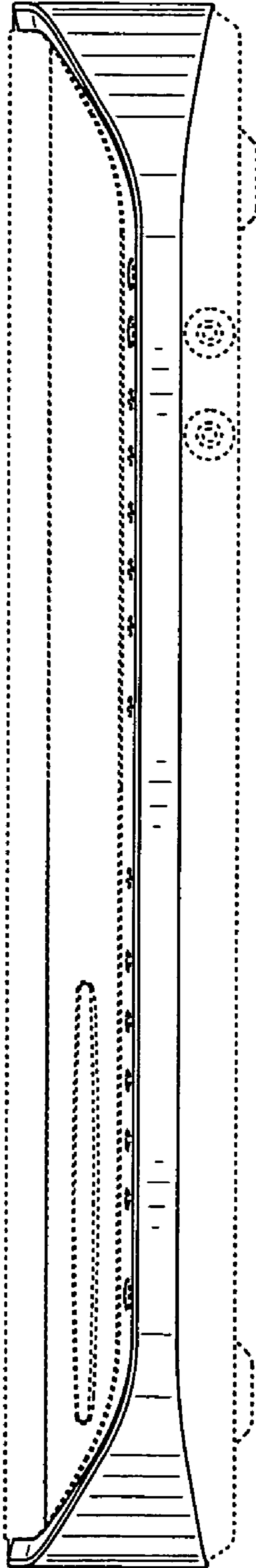


Fig.3

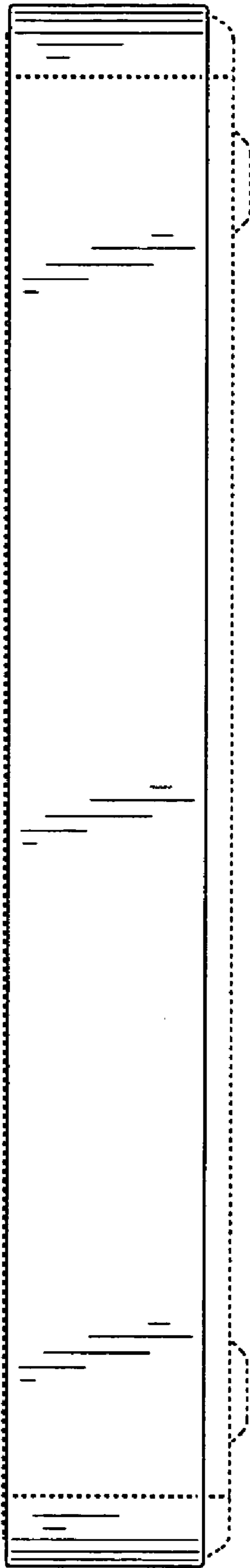


Fig.4

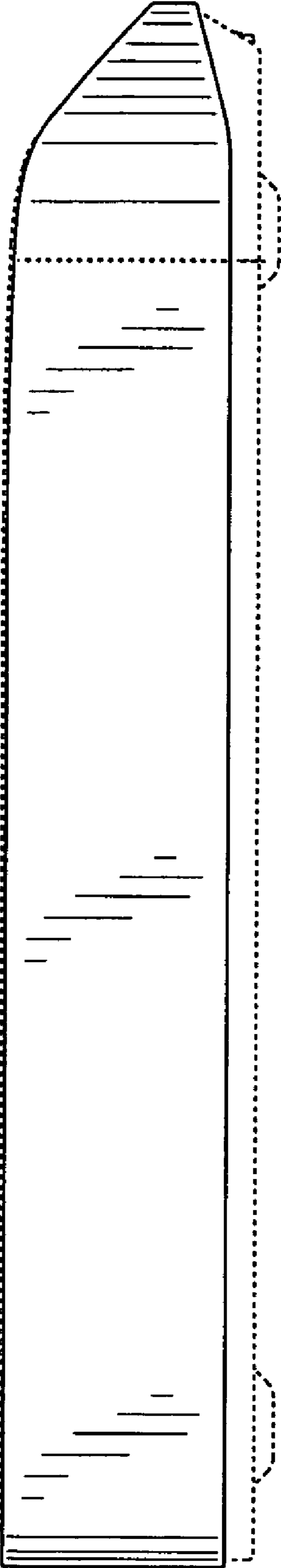
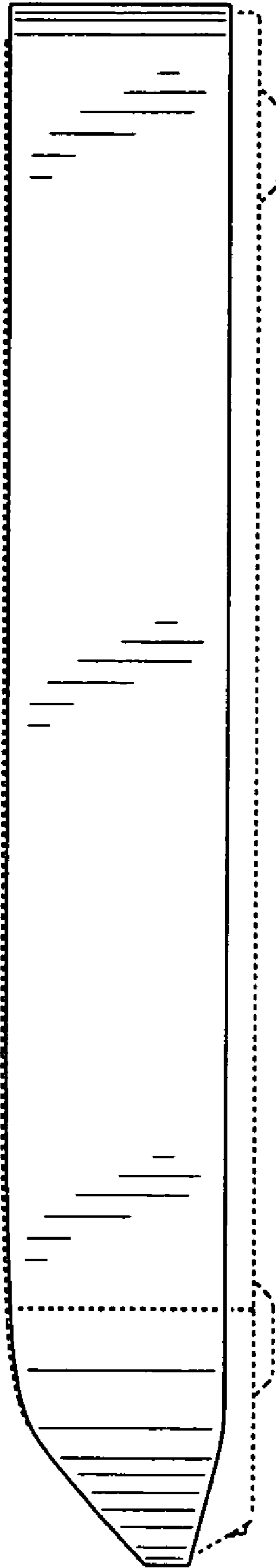


Fig. 5



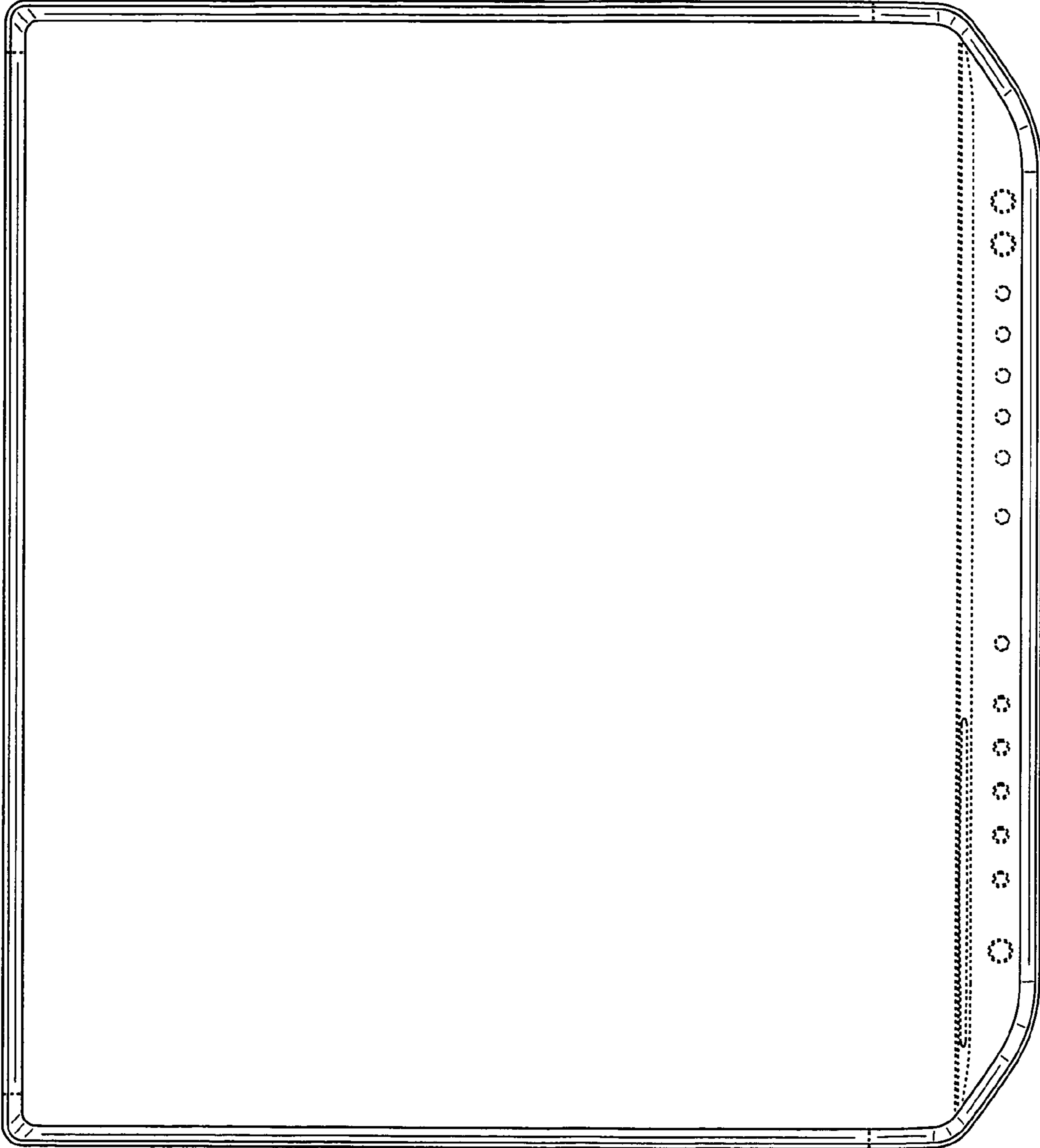


Fig. 6

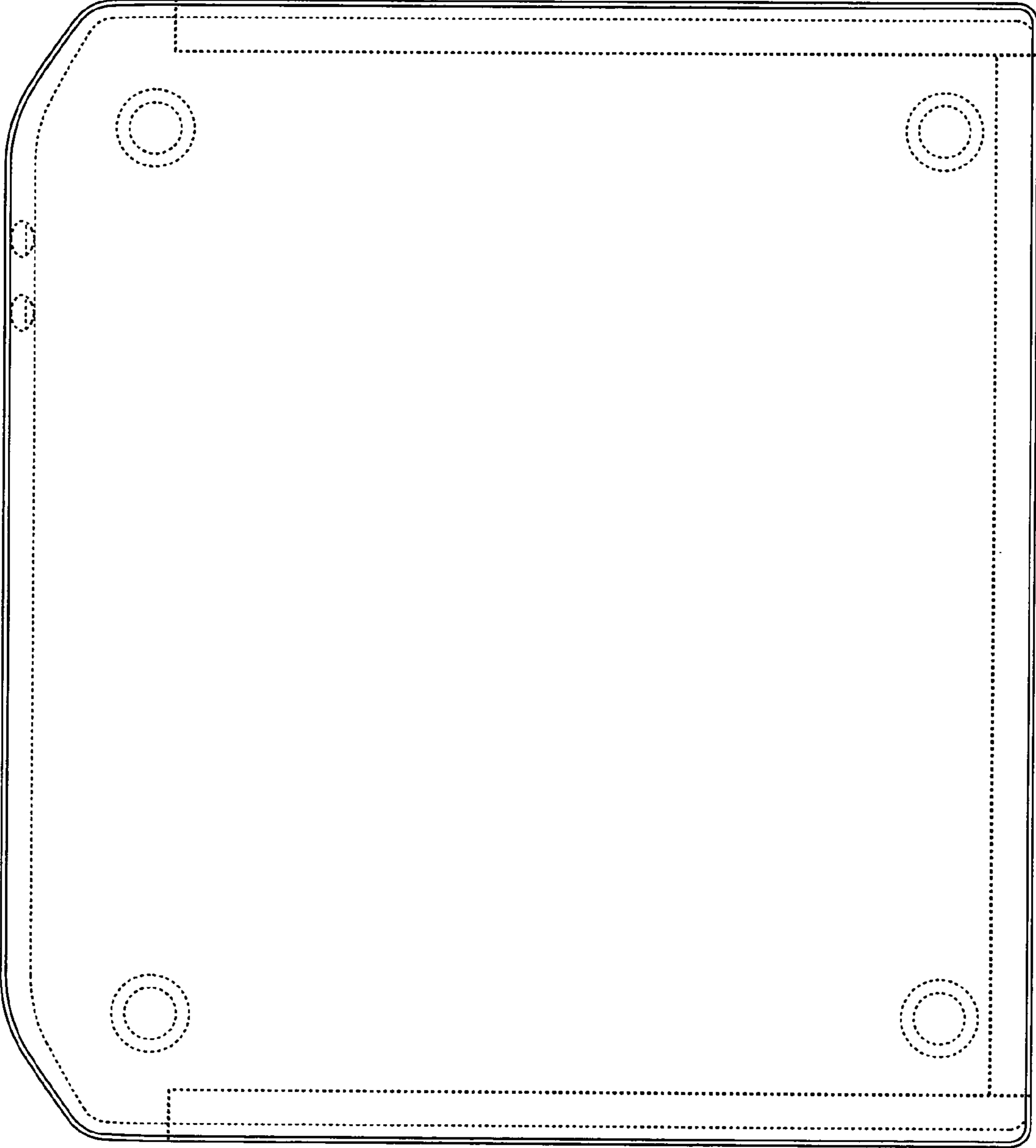


Fig. 7