

US00D547285S

(12) **United States Design Patent**  
**Yoshida**

(10) **Patent No.:** **US D547,285 S**  
(45) **Date of Patent:** **\*\* Jul. 24, 2007**

(54) **DISC PLAYER**

(75) Inventor: **Shigenori Yoshida**, Tokyo (JP)

(73) Assignee: **Sony Corporation**, Tokyo (JP)

(\*\*) Term: **14 Years**

(21) Appl. No.: **29/251,275**

(22) Filed: **Jan. 6, 2006**

(30) **Foreign Application Priority Data**

Sep. 7, 2005 (JP) ..... 2005-025786

(51) **LOC (8) Cl.** ..... **14-01**

(52) **U.S. Cl.** ..... **D14/136**

(58) **Field of Classification Search** ..... D14/135-136,  
D14/156-157, 160-165, 167-168, 193-198,  
D14/188, 217, 257, 258, 445; 360/99.02,  
360/99.07; 369/75.11, 75.21, 77.21, 77.11;  
720/612, 619, 647, 655; 455/344, 347-351  
See application file for complete search history.

(56) **References Cited**

**U.S. PATENT DOCUMENTS**

D459,709 S \* 7/2002 Kojima et al. .... D14/136  
D472,534 S \* 4/2003 Ueno et al. .... D14/136  
D483,728 S \* 12/2003 Kim ..... D14/136  
D504,878 S \* 5/2005 Oikawa ..... D14/136

D511,757 S \* 11/2005 Wu ..... D14/136  
D512,391 S \* 12/2005 Chiu ..... D14/136  
D521,974 S \* 5/2006 Katsumata ..... D14/168

**FOREIGN PATENT DOCUMENTS**

JP D1138109 S 4/2002  
JP D1197125 S 2/2004

\* cited by examiner

*Primary Examiner*—Nanda Bondade

(74) *Attorney, Agent, or Firm*—Rader, Fishman & Grauer PLLC

(57) **CLAIM**

The ornamental design for a disc player, as shown.

**DESCRIPTION**

FIG. 1 is a perspective view of a disc player showing my new design;

FIG. 2 is a front elevational view thereof;

FIG. 3 is a rear elevational view thereof;

FIG. 4 is a left side elevational view thereof;

FIG. 5 is a right side elevational view thereof;

FIG. 6 is a top plan view thereof; and,

FIG. 7 is a bottom plan view thereof.

**1 Claim, 7 Drawing Sheets**

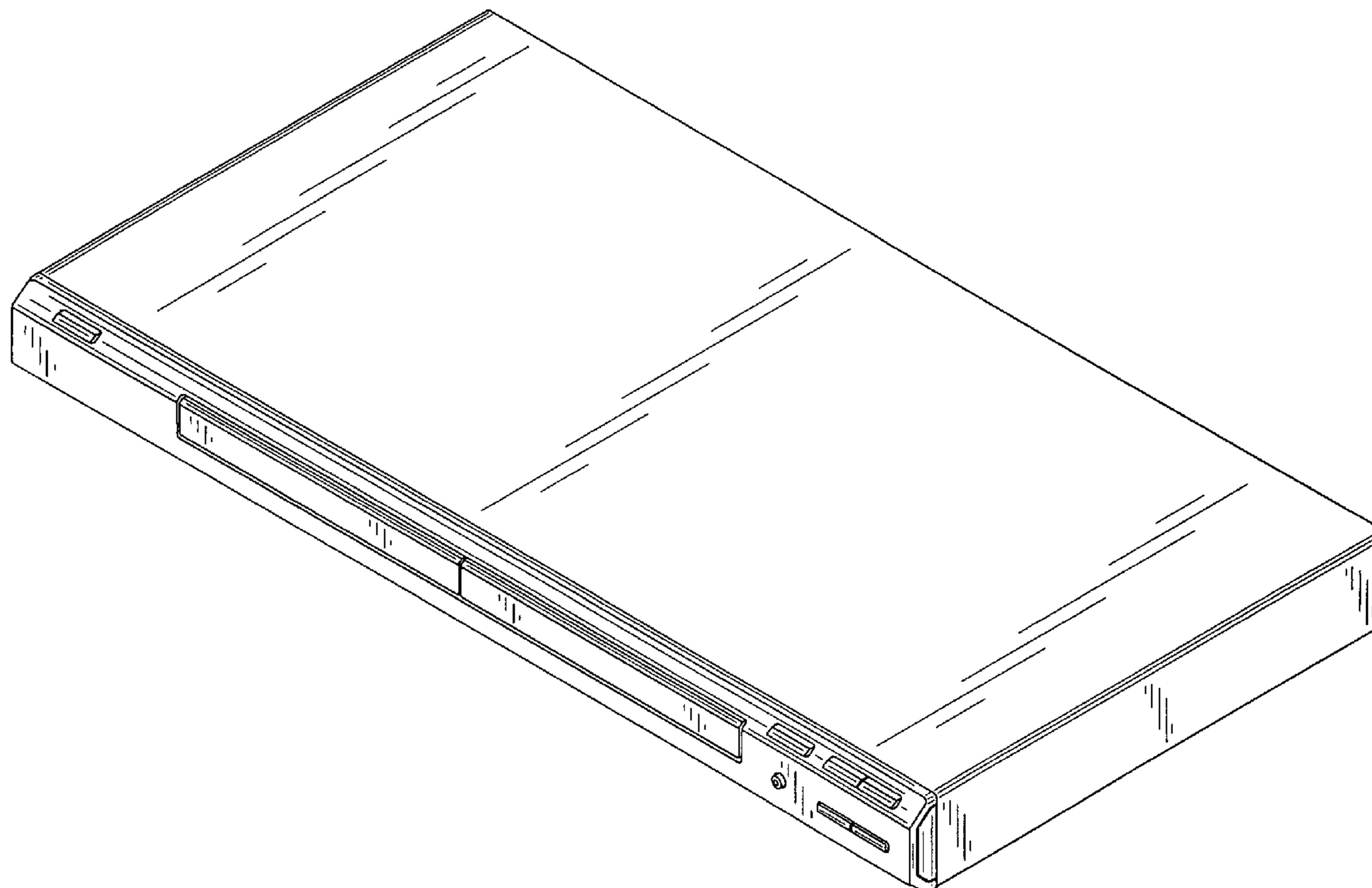


Fig.1

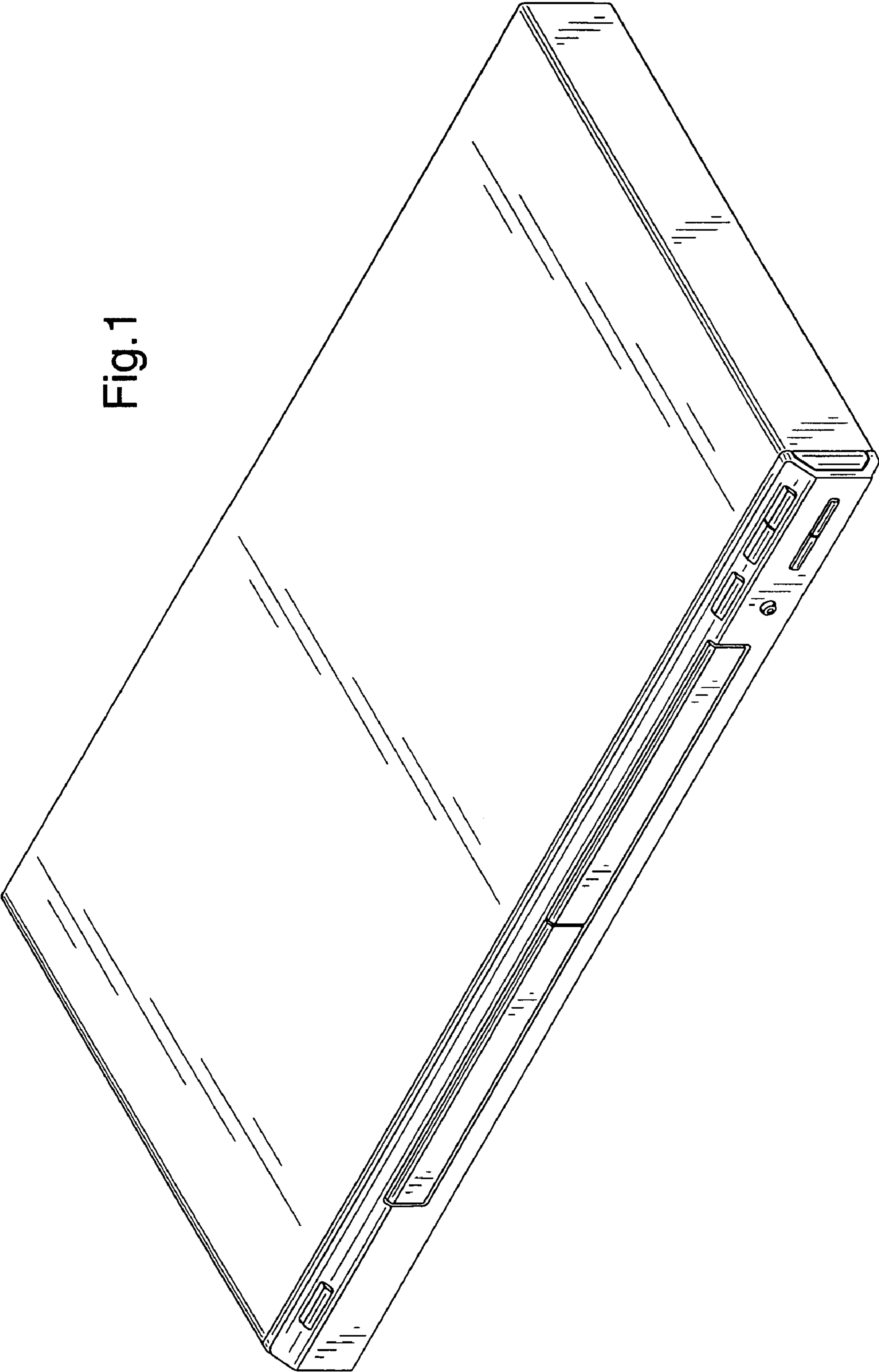


Fig.2

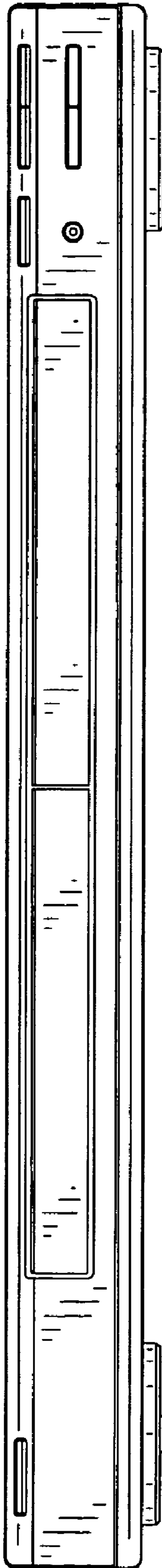


Fig.3

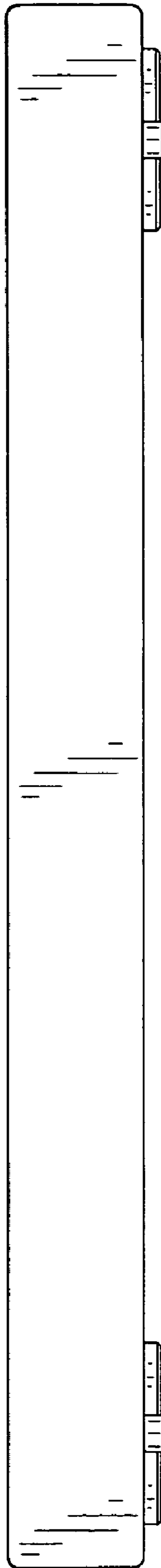


Fig. 4

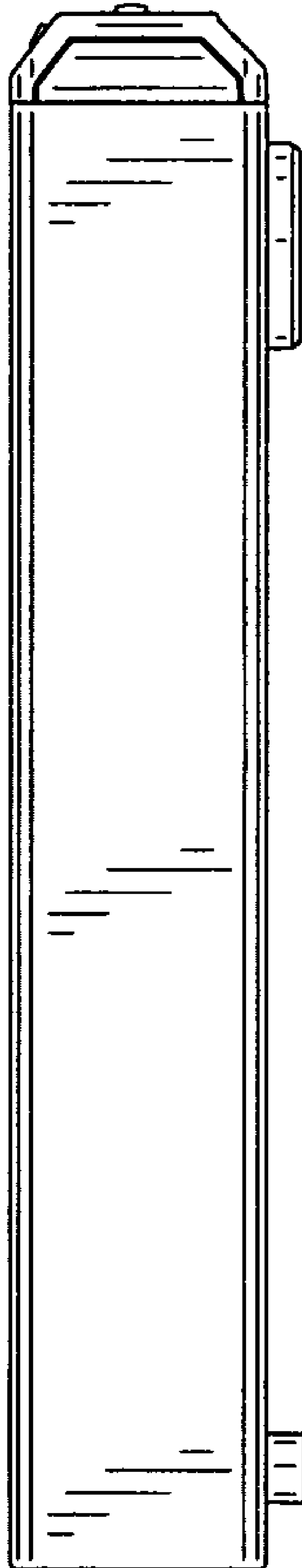


Fig. 5

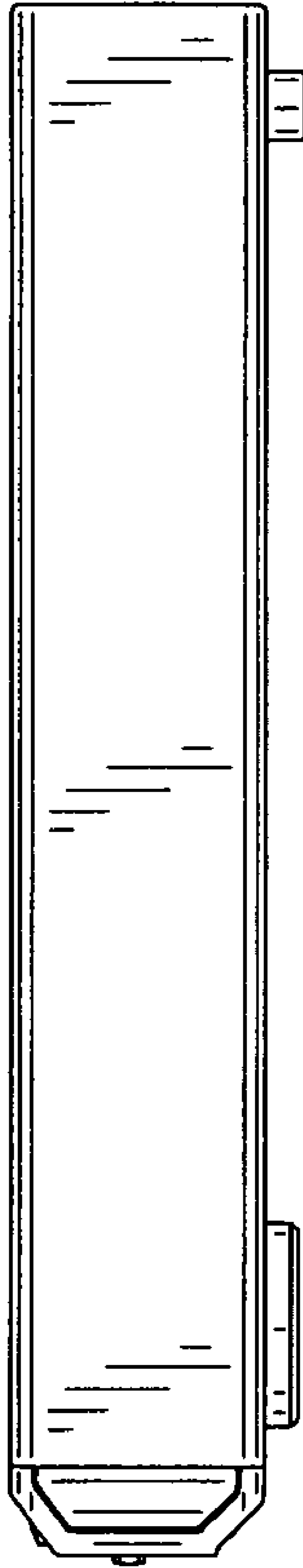


Fig.6

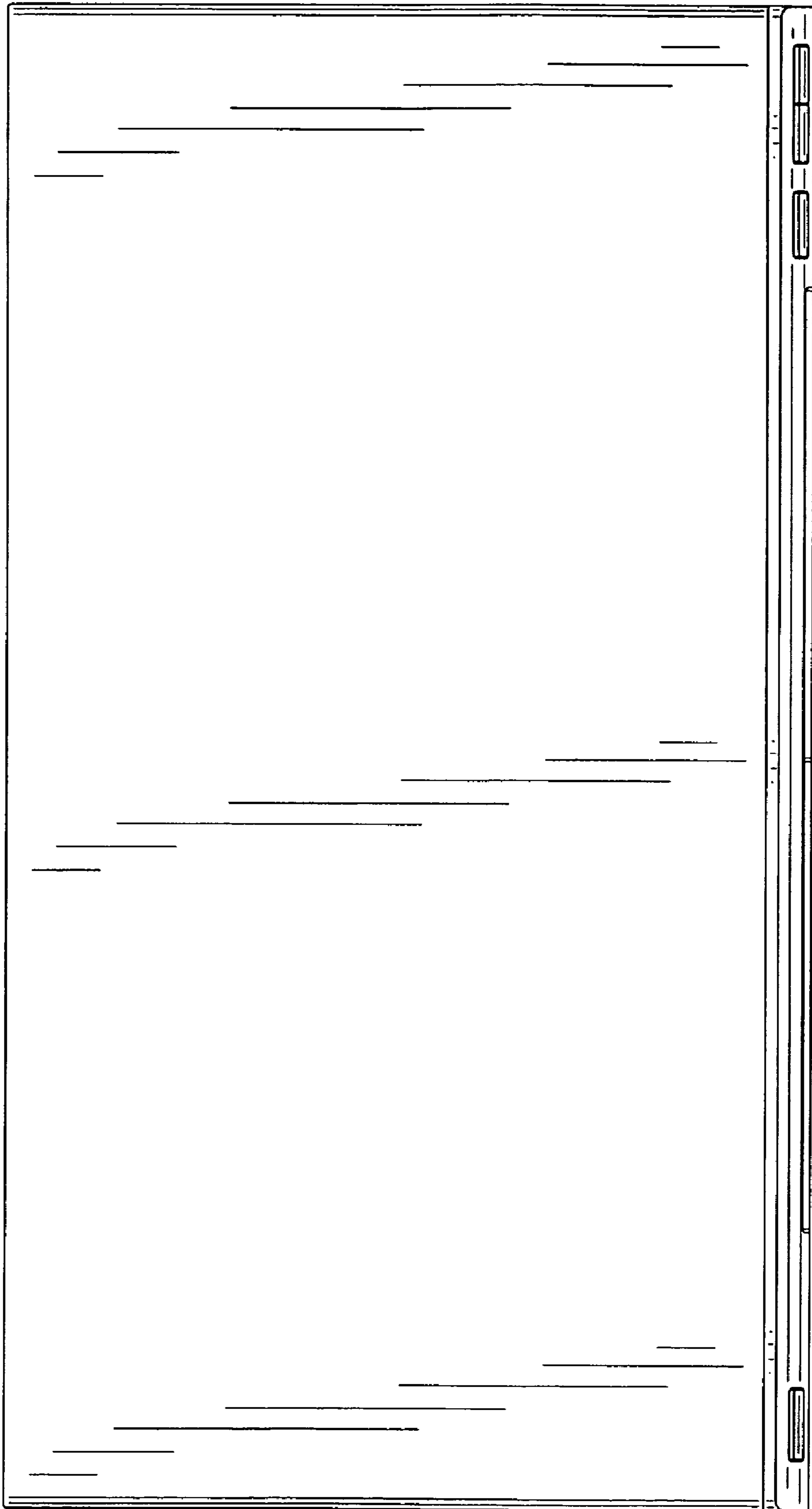


Fig.7

