



US00D547284S

(12) **United States Design Patent**  
**Hsiung**

(10) **Patent No.:** **US D547,284 S**

(45) **Date of Patent:** **\*\* Jul. 24, 2007**

(54) **PORTABLE DVD PLAYER**

(75) Inventor: **Chen Kuo Hsiung**, Laguna (HK)

(73) Assignee: **Silicon Pyramid Electron, Ltd.**,  
Guangzhou (CN)

(\*\*) Term: **14 Years**

(21) Appl. No.: **29/240,500**

(22) Filed: **Oct. 13, 2005**

(30) **Foreign Application Priority Data**

Jul. 18, 2005 (CN) ..... 2005 3 0064088

(51) **LOC (8) Cl.** ..... **14-03**

(52) **U.S. Cl.** ..... **D14/129**

(58) **Field of Classification Search** ..... D14/125,  
D14/129, 132, 136, 156, 126, 371, 374, 375;  
348/180, 184, 325, 838; 341/12; 345/104,  
345/133, 156, 168, 173, 87; 720/605, 669,  
720/600, 655; 369/99, 197; 455/344, 345,  
455/346, 347, 566; 368/12

See application file for complete search history.

(56) **References Cited**

**U.S. PATENT DOCUMENTS**

D432,124 S \* 10/2000 Pardikes et al. .... D14/336  
D481,718 S \* 11/2003 Chiang et al. .... D14/341  
D494,174 S \* 8/2004 Hsu Li ..... D14/374  
D496,034 S \* 9/2004 Guerrero et al. .... D14/336

D503,160 S \* 3/2005 Peng ..... D14/129  
D504,427 S \* 4/2005 Hsu Li ..... D14/371  
D504,686 S \* 5/2005 Hsu Li ..... D14/371  
D509,827 S \* 9/2005 Johnson ..... D14/374  
D518,010 S \* 3/2006 Peng ..... D14/129  
D519,956 S \* 5/2006 Peng ..... D14/129  
D525,973 S \* 8/2006 Julian et al. .... D14/371

\* cited by examiner

*Primary Examiner*—Philip S. Hyder

(74) *Attorney, Agent, or Firm*—Much Shelist

(57) **CLAIM**

The ornamental design for a portable DVD player, as shown and described.

**DESCRIPTION**

FIG. 1 is a front view of the portable DVD player showing the new design;

FIG. 2 is a rear view;

FIG. 3 is a bottom view.

FIG. 4 is a top view;

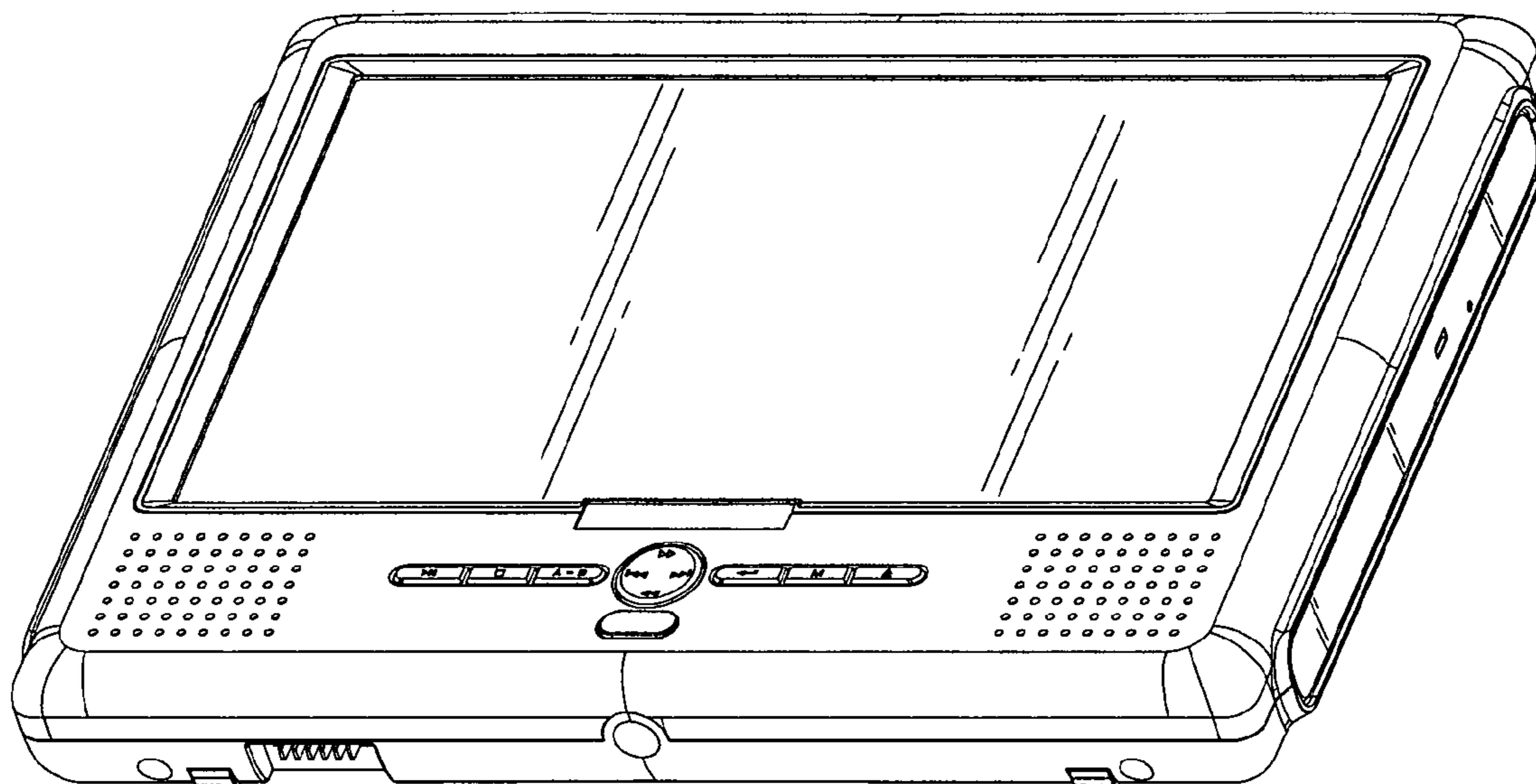
FIG. 5 is a right side view;

FIG. 6 is a left side view;

FIG. 7 is a perspective view showing the DVD player in a closed position; and,

FIG. 8 is a perspective view showing the rear of the DVD player in an upright position.

**1 Claim, 3 Drawing Sheets**



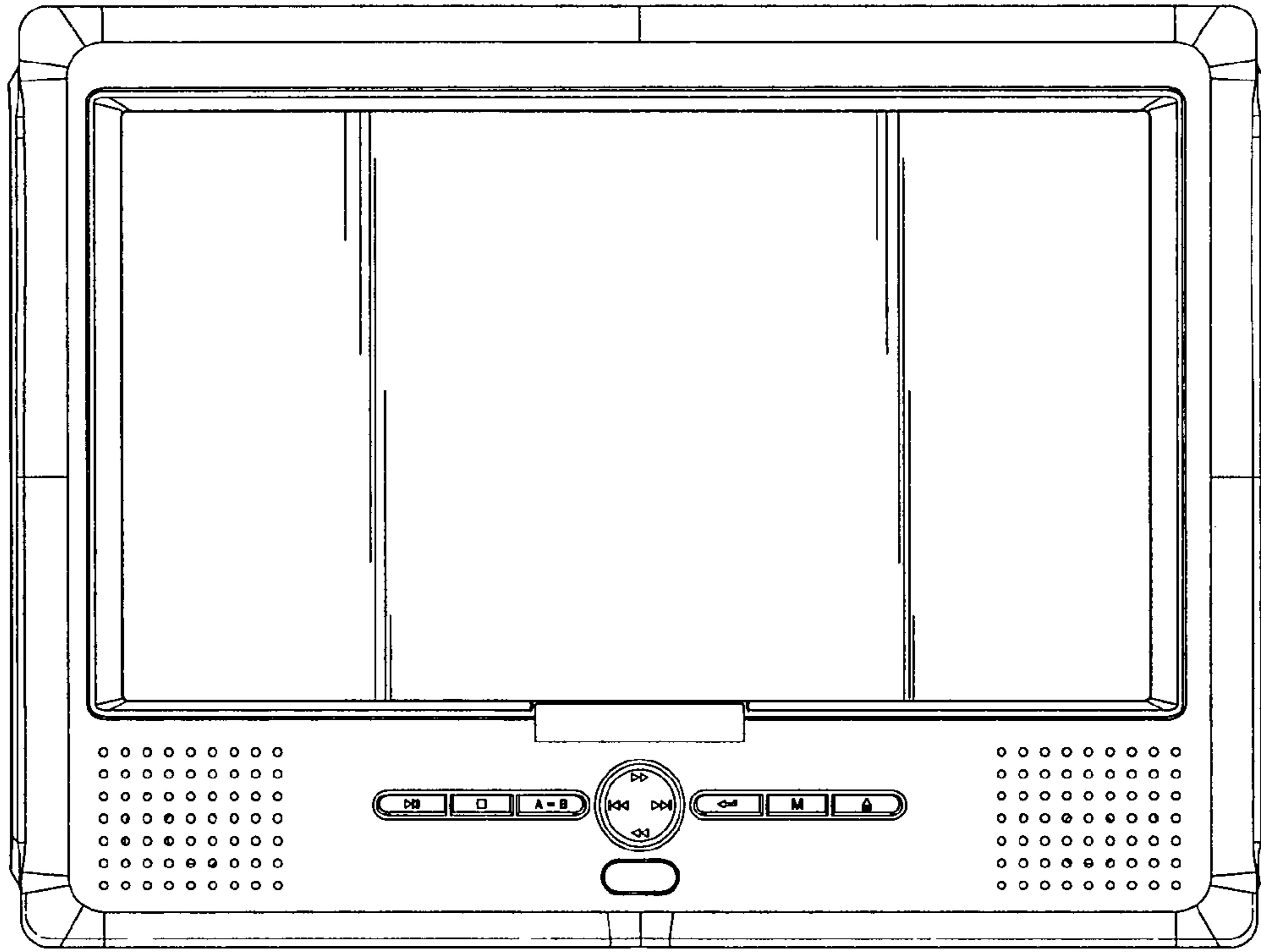


Figure 1

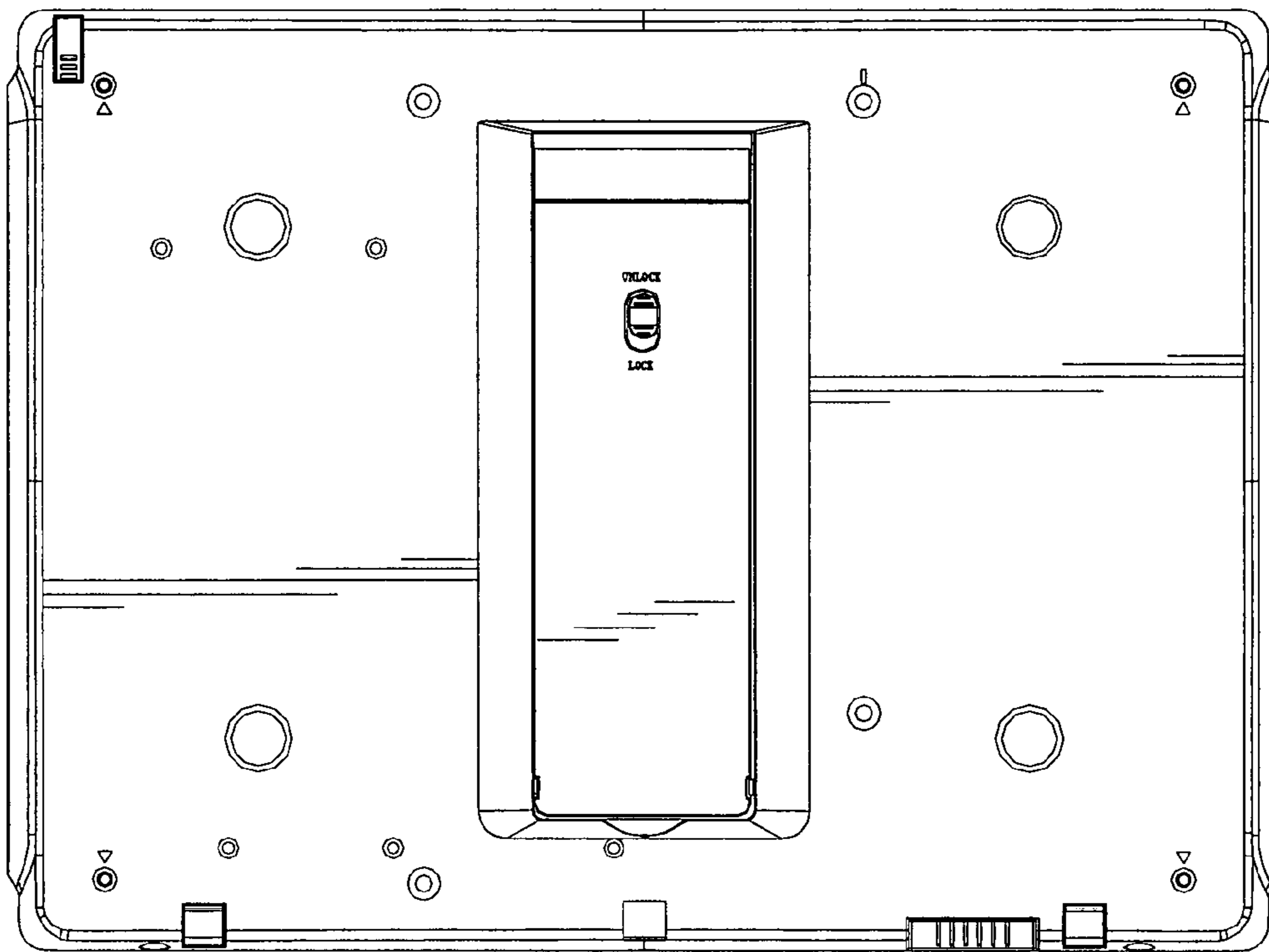


Figure 2

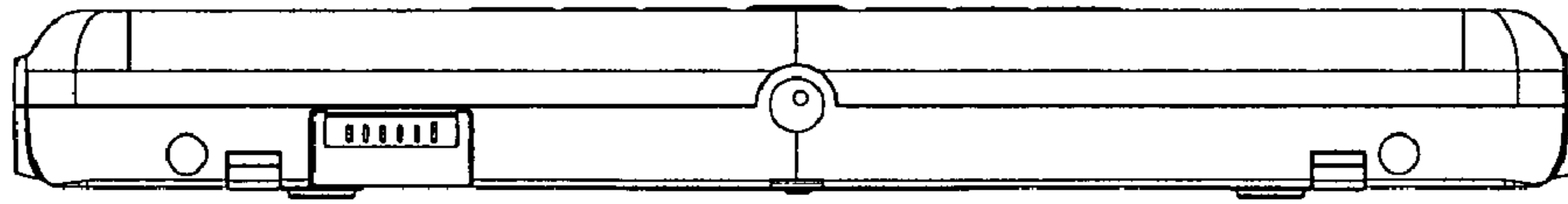


Figure 3

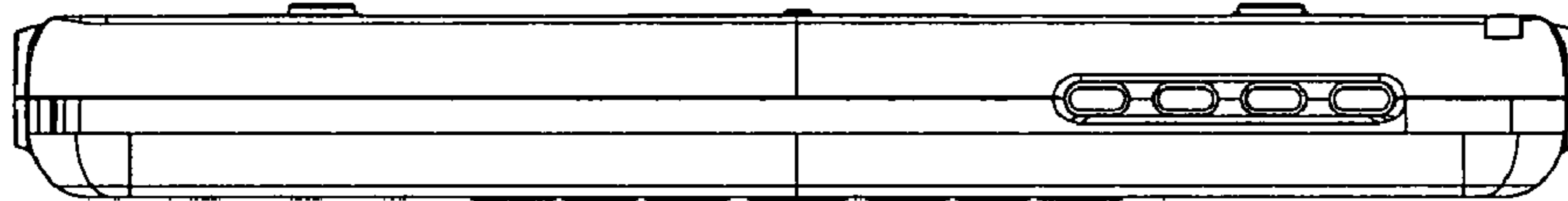


Figure 4

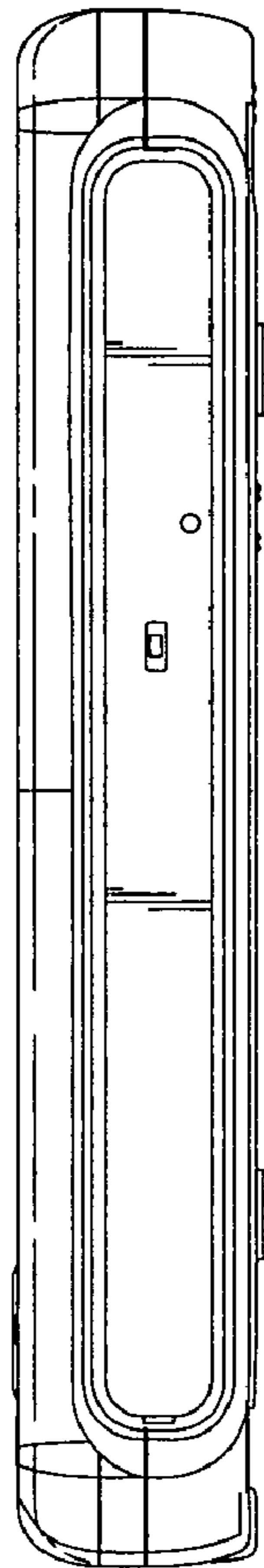


Figure 5

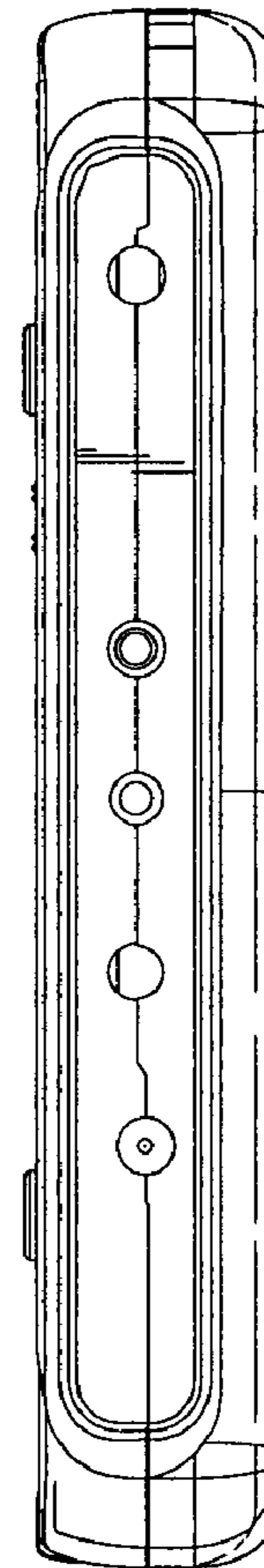


Figure 6

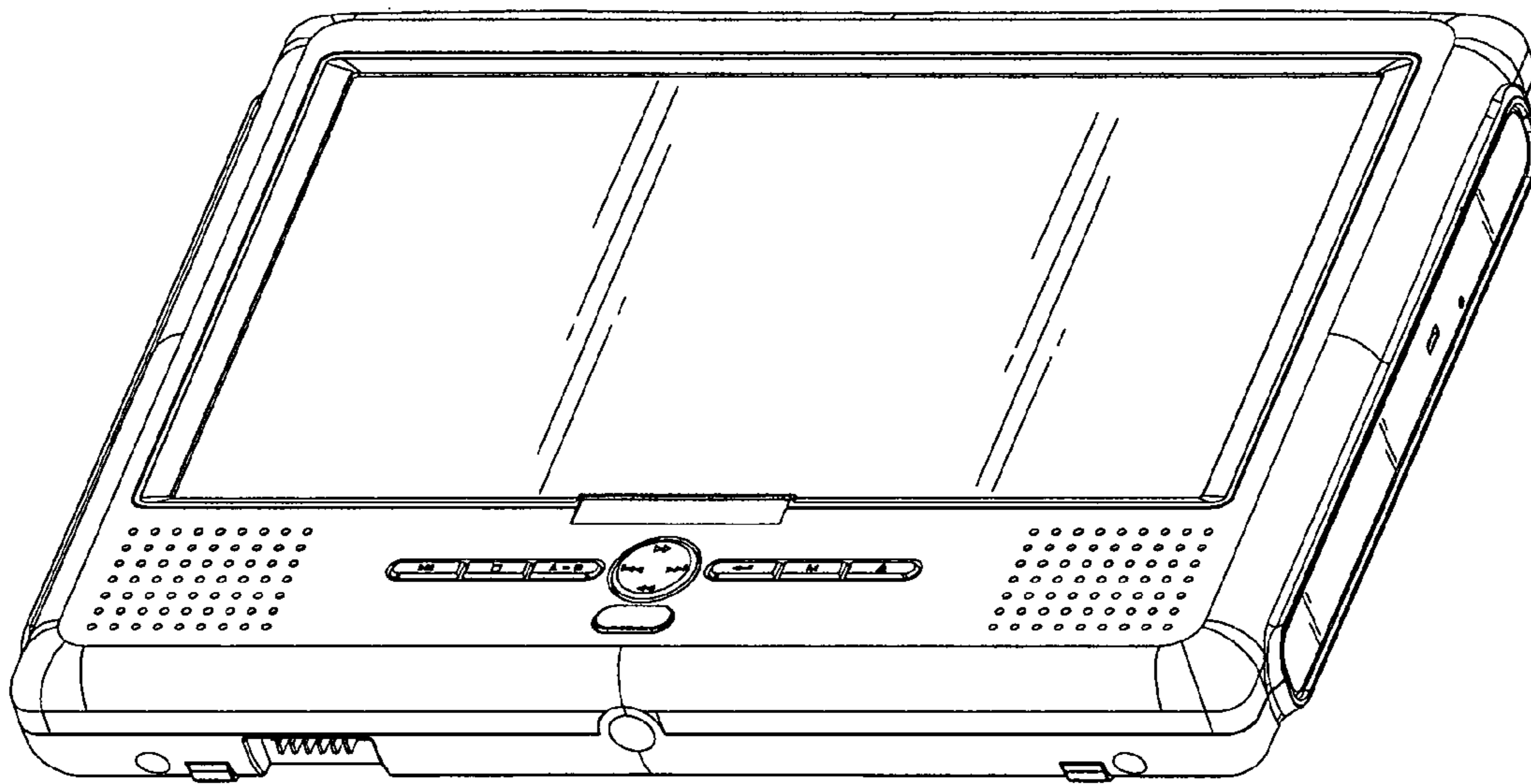


Figure 7

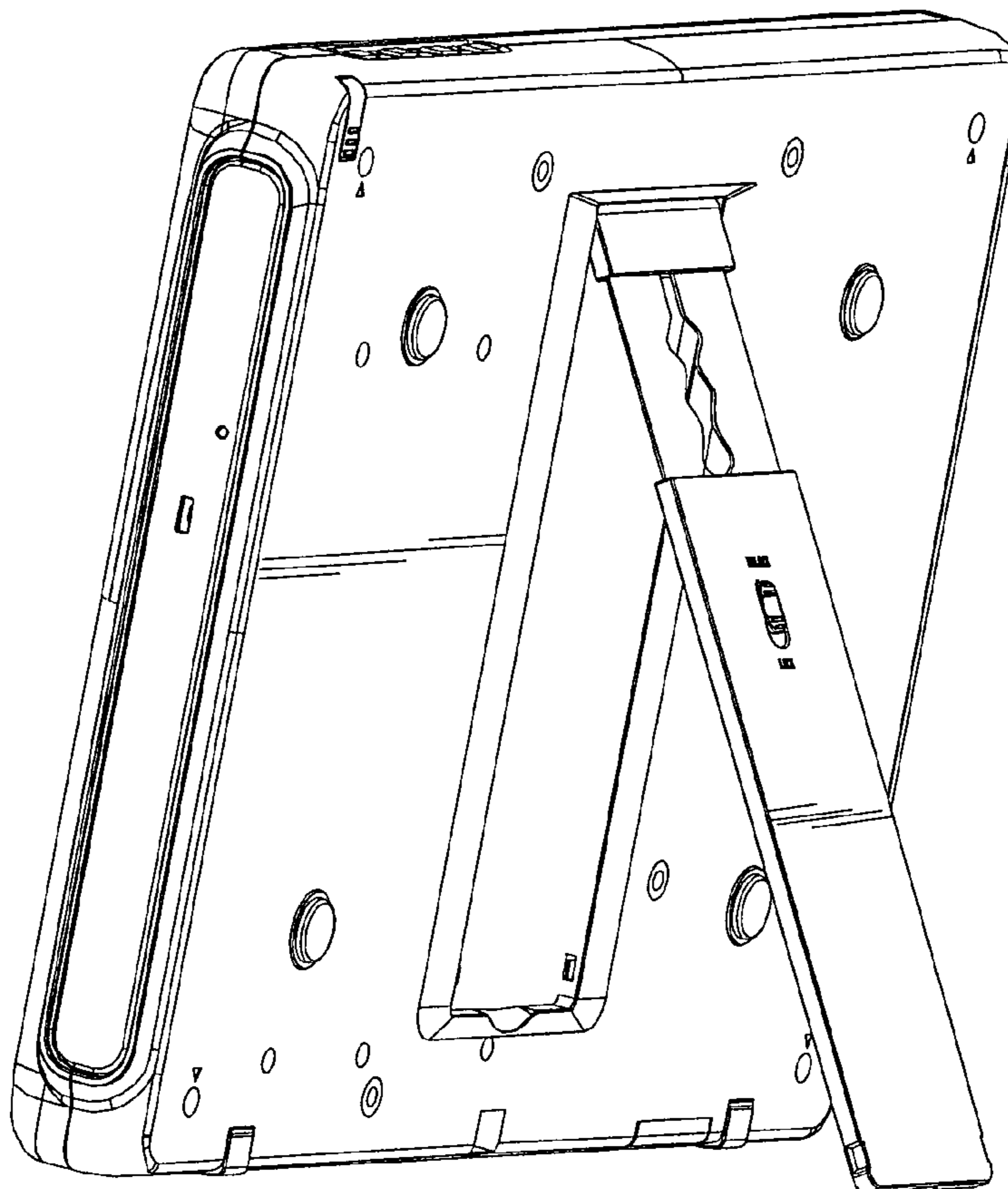


Figure 8