



US00D547281S

(12) **United States Design Patent**
Kim

(10) **Patent No.:** **US D547,281 S**

(45) **Date of Patent:** **** Jul. 24, 2007**

(54) **DIGITAL VIDEO RECORDER**

(75) Inventor: **Wol-Sup Kim**, Gyeonggi-do (KR)

(73) Assignee: **Orion Technology Co., Ltd.** (KR)

(**) Term: **14 Years**

(21) Appl. No.: **29/229,743**

(22) Filed: **May 11, 2005**

(30) **Foreign Application Priority Data**

Nov. 17, 2004 (KR) 30-2004-0035004

(51) **LOC (8) Cl.** **14-03**

(52) **U.S. Cl.** **D14/129**

(58) **Field of Classification Search** D14/125,
D14/129, 132, 136, 156, 374, 375; 348/180,
348/184, 325, 838; 341/12; 345/104, 133,
345/156, 168, 173, 87; 720/605, 669, 600,
720/655; 369/99, 197; 455/344, 345, 346,
455/347, 566; 368/12

See application file for complete search history.

(56) **References Cited**

U.S. PATENT DOCUMENTS

D447,738 S *	9/2001	Usami et al.	D14/136
D486,457 S *	2/2004	Lee	D14/129
D501,452 S *	2/2005	Peng	D14/129
D501,656 S *	2/2005	Peng	D14/129
D501,833 S *	2/2005	Peng	D14/129
D501,835 S *	2/2005	Peng	D14/129
D502,453 S *	3/2005	Peng	D14/129
D512,972 S *	12/2005	Peng	D14/129

D515,050 S *	2/2006	Peng	D14/129
D515,051 S *	2/2006	Peng	D14/129
D515,052 S *	2/2006	Peng	D14/129
D517,029 S *	3/2006	Kawasaki	D14/129

* cited by examiner

Primary Examiner—Philip S. Hyder

(74) *Attorney, Agent, or Firm*—Tuchman & Park LLC

(57) **CLAIM**

The ornamental design for a “digital video recorder”, as shown and described.

DESCRIPTION

FIG. 1 is a perspective view of a digital video recorder in accordance with the new design with the LCD panel up;

FIG. 2 is a left side elevational view of the digital video recorder of FIG. 1;

FIG. 3 is a front elevational view of the digital video recorder of FIG. 1;

FIG. 4 is a right side elevational view of the digital video recorder of FIG. 1;

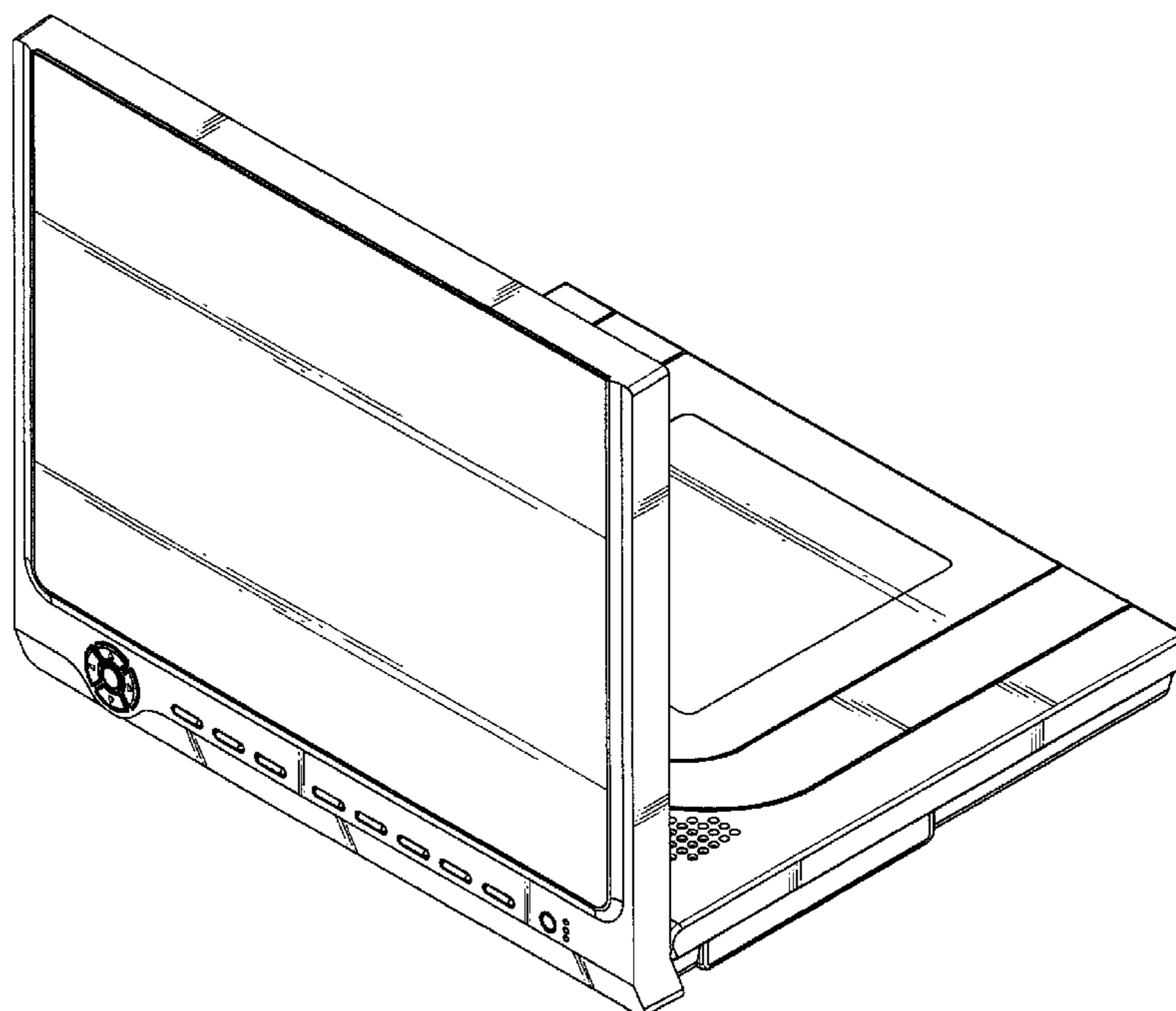
FIG. 5 is a rear elevational view of the digital video recorder of FIG. 1;

FIG. 6 is a top plan view of the digital video recorder of FIG. 1;

FIG. 7 is a bottom plan view of the digital video recorder of FIG. 1; and,

FIG. 8 is a perspective view of the digital video recorder of FIG. 1 with the LCD panel down.

1 Claim, 8 Drawing Sheets



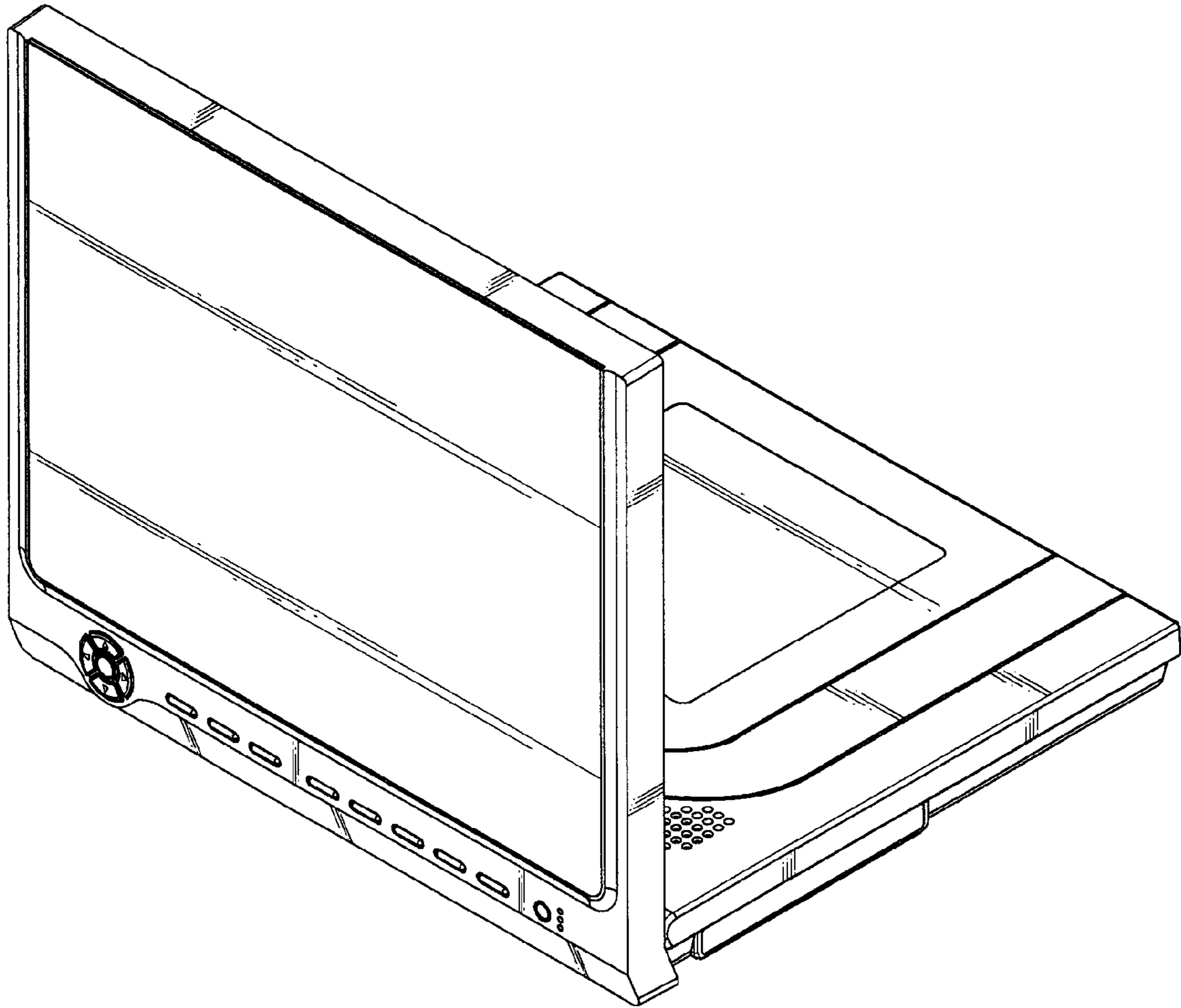


FIG. 1

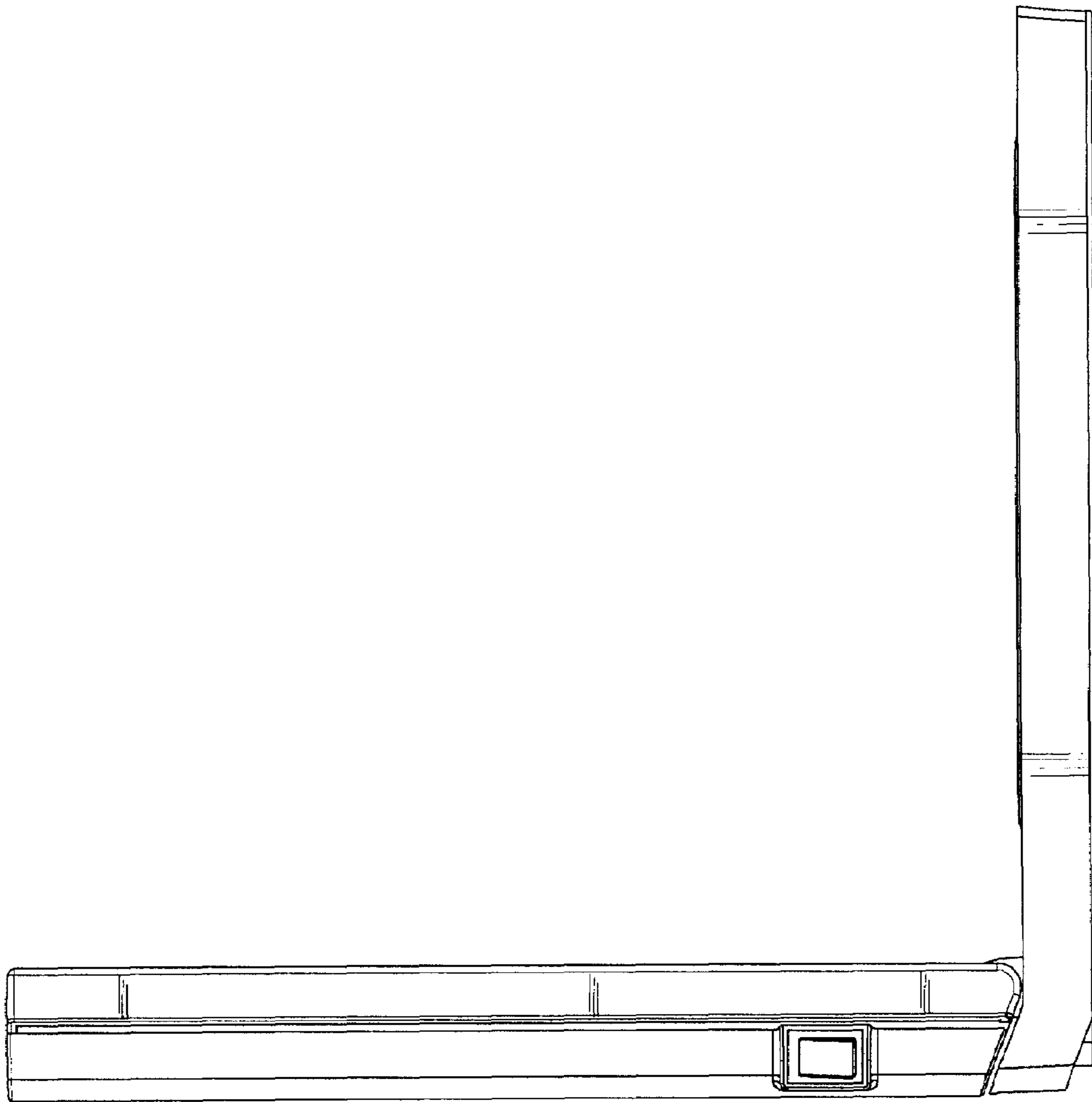


FIG. 2

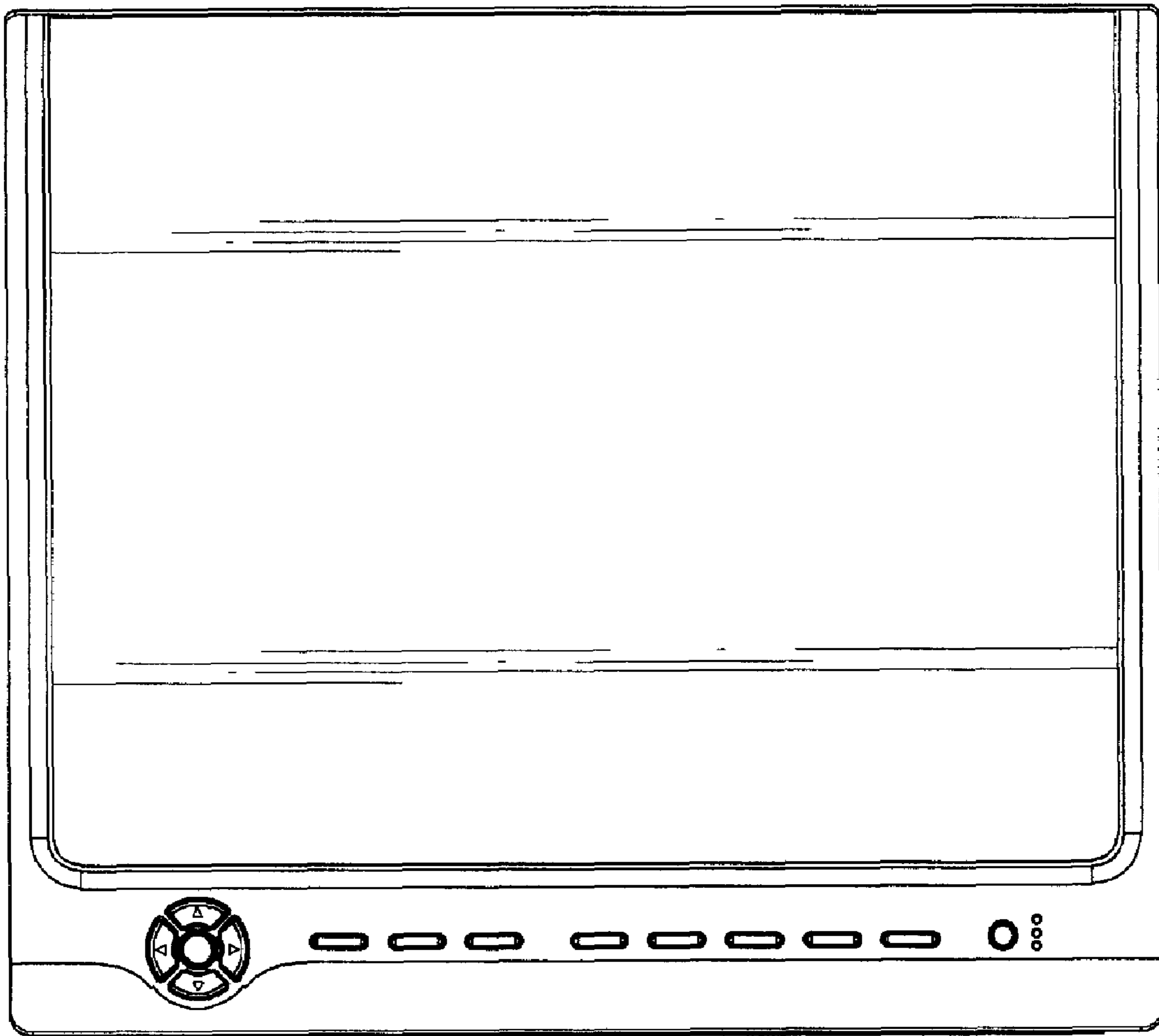


FIG. 3

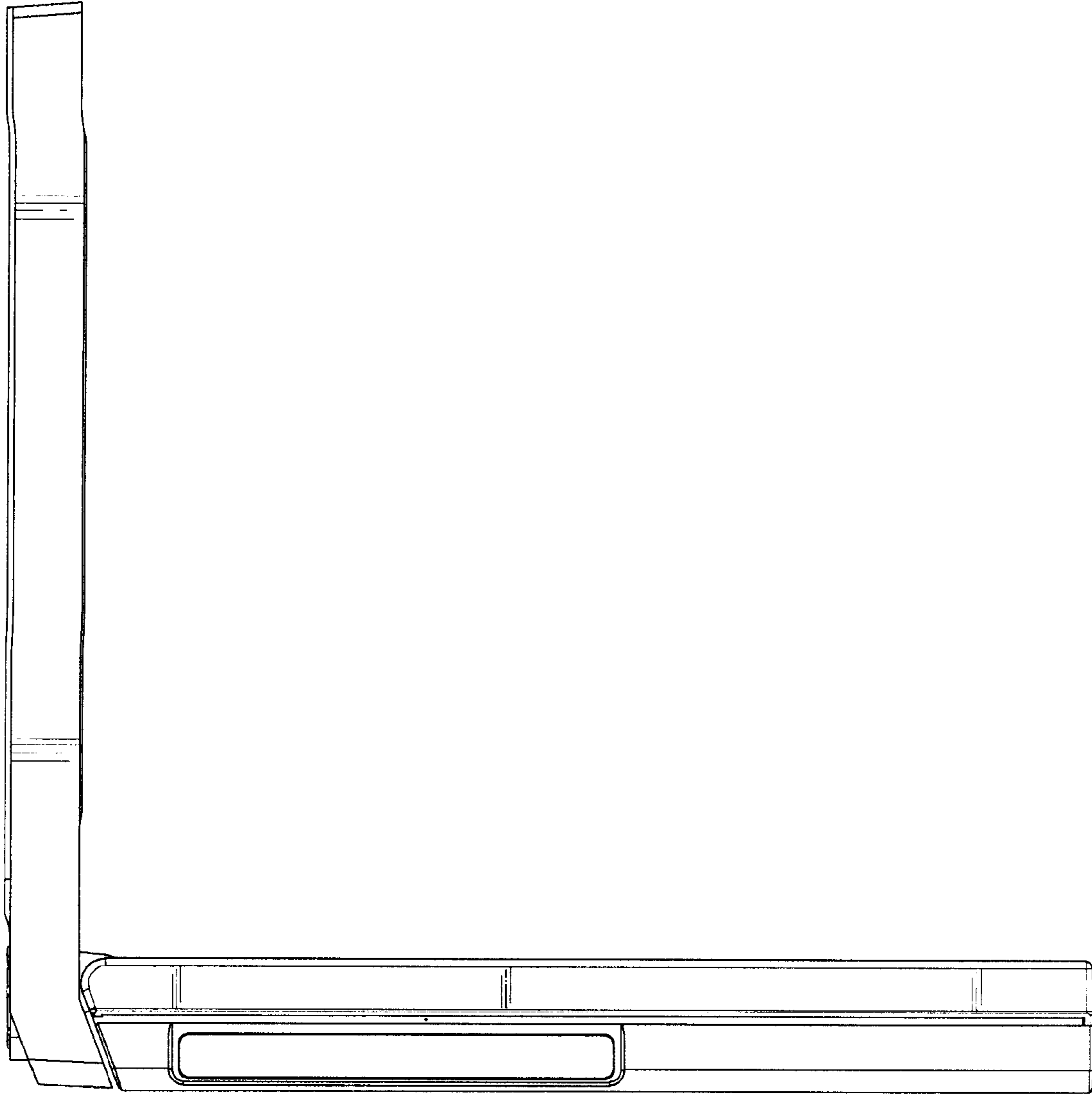


FIG. 4

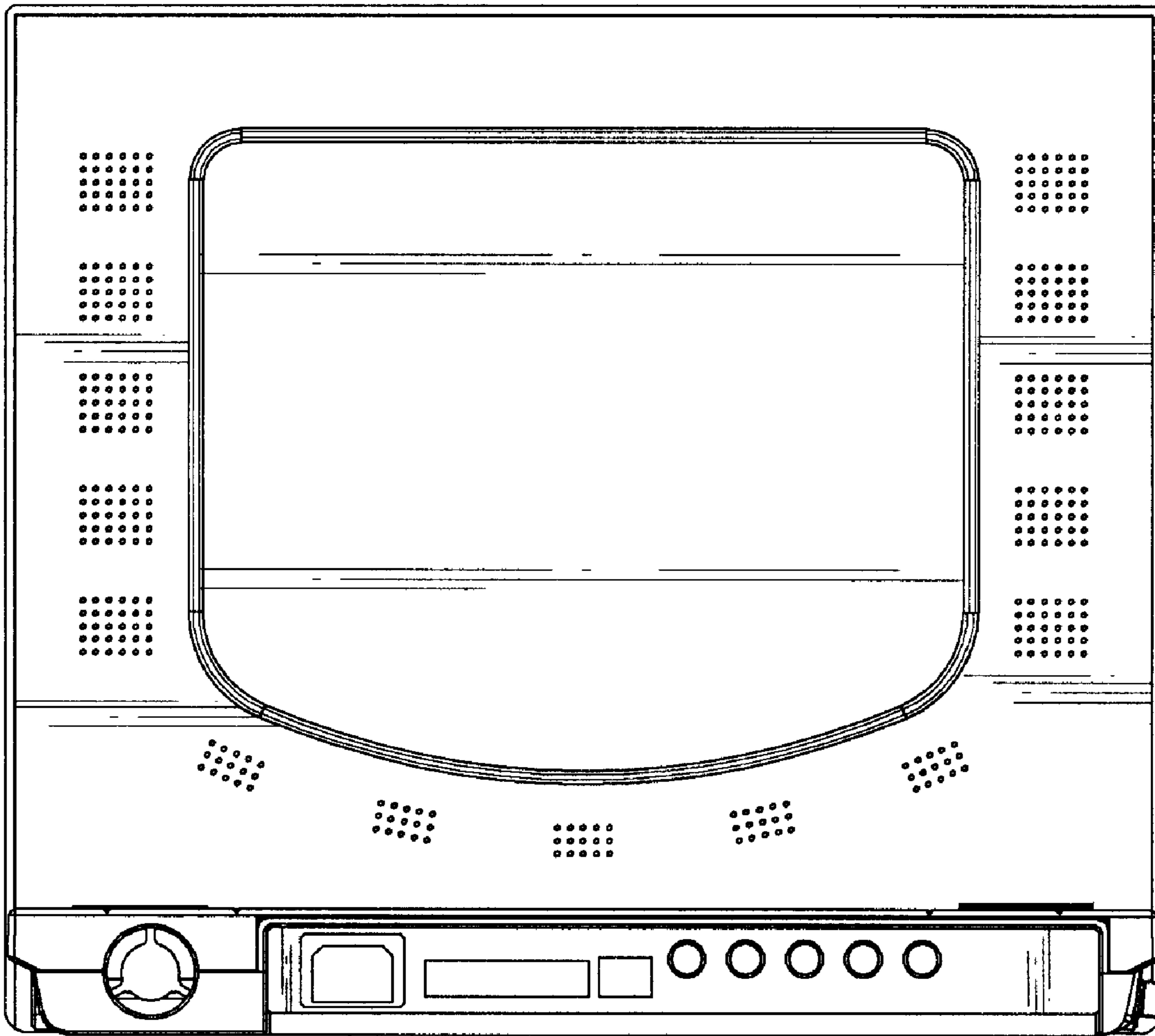


FIG. 5

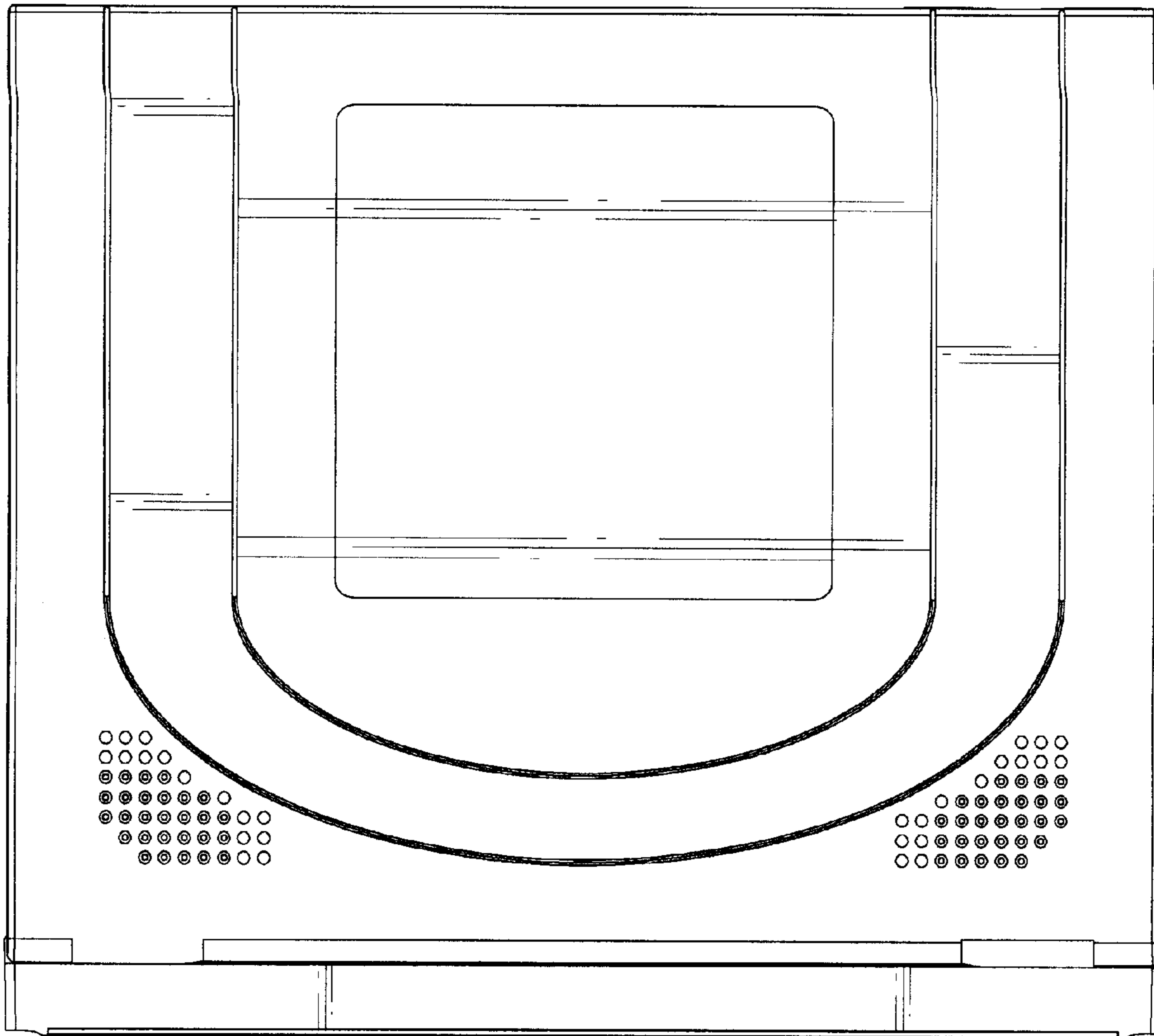


FIG. 6

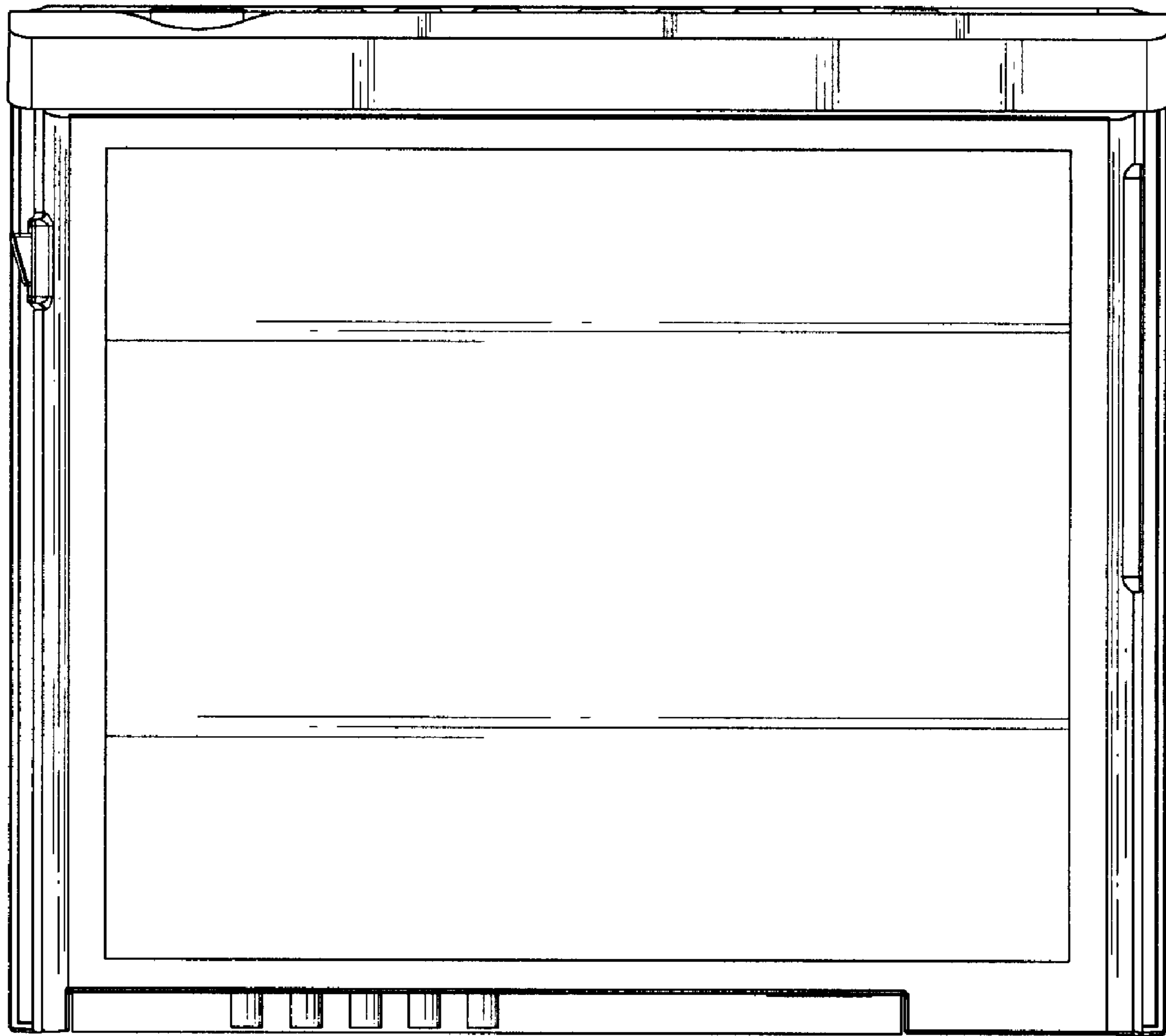


FIG. 7

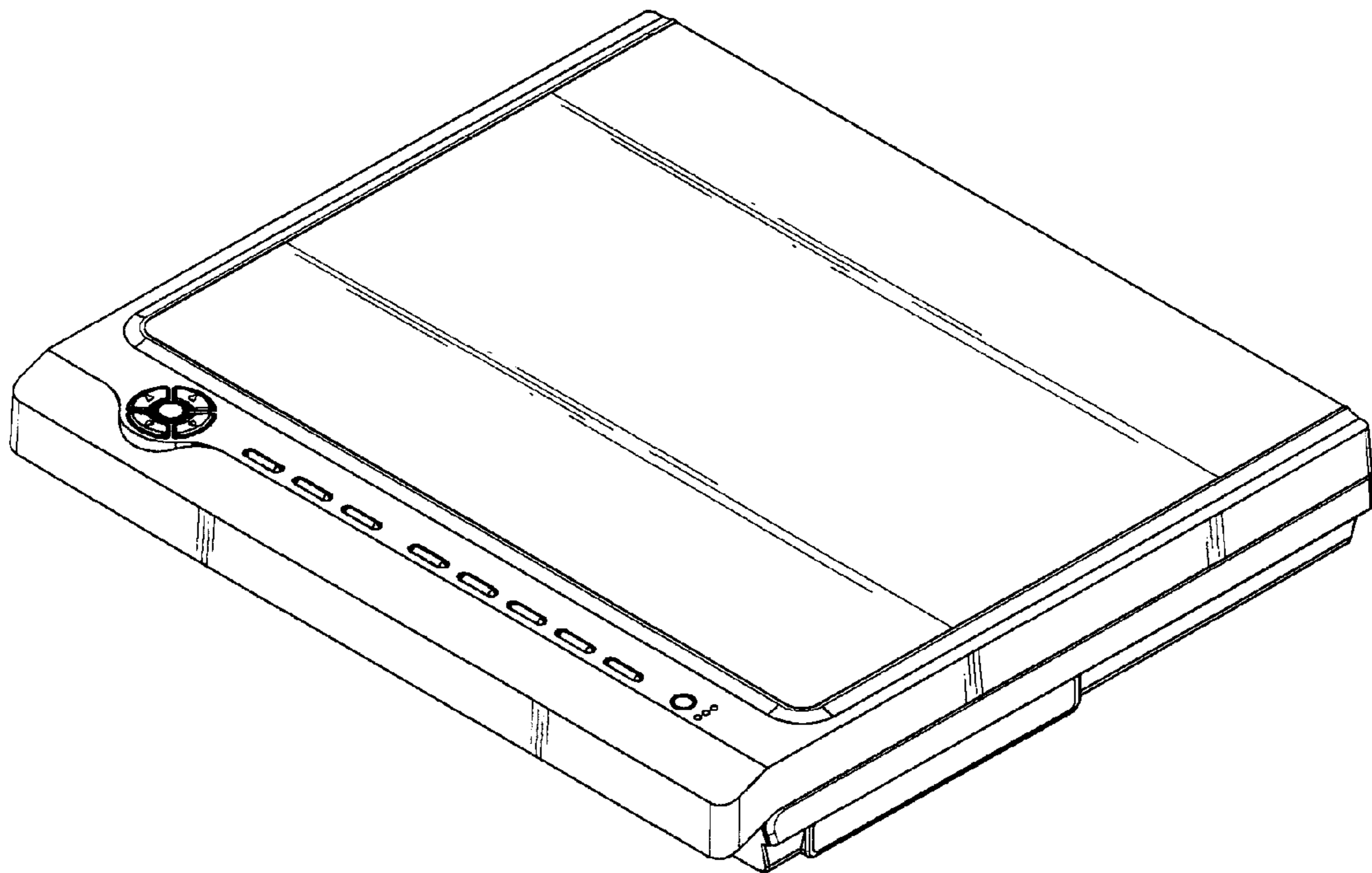


FIG. 8