

US00D547280S

(12) **United States Design Patent**
Shin et al.

(10) **Patent No.:** **US D547,280 S**
(45) **Date of Patent:** **** Jul. 24, 2007**

(54) **TELEVISION**

(75) Inventors: **Young-Sun Shin**, Seoul (KR);
Kyung-Hoon Kim, Seoul (KR)

(73) Assignee: **Samsung Electronics Co., Ltd.**,
Kyunggi-do (KR)

(**) Term: **14 Years**

(21) Appl. No.: **29/228,541**

(22) Filed: **Apr. 25, 2005**

(51) **LOC (8) Cl.** **14-03**

(52) **U.S. Cl.** **D14/128; D14/126**

(58) **Field of Classification Search** D14/125-134,
D14/239, 371, 136, 374-377; 312/7.2; 348/836,
348/838, 180, 184, 325, 739; 341/12; 248/917-924,
248/465; 345/104, 133, 156, 168, 87, 173;
720/605, 669, 600, 655; 369/99, 197; 455/344-347
See application file for complete search history.

(56) **References Cited**

U.S. PATENT DOCUMENTS

D352,940 S	*	11/1994	Kazama	D14/126
D374,003 S	*	9/1996	Stark	D14/126
D406,128 S	*	2/1999	Renk et al.	D14/126
D415,130 S	*	10/1999	Chuo et al.	D14/380
D425,502 S	*	5/2000	Renk et al.	D14/126
D445,098 S	*	7/2001	Matsuoka et al.	D14/126
D455,129 S	*	4/2002	Niitsu	D14/126
D510,730 S	*	10/2005	Asanuma et al.	D14/126
D534,510 S	*	1/2007	Kang et al.	D14/128
D534,883 S	*	1/2007	Kang et al.	D14/128

OTHER PUBLICATIONS

U.S. Appl. No. 29/217,926, Applicant: Young-Jun Kim, et al., filed Nov. 23, 2004 entitled Projection Television.

U.S. Appl. No. 29/218,855, Applicant: Seung-Ho Lee, et al., filed Dec. 8, 2004 entitled LCD TV.

U.S. Appl. No. 29/218,856, Applicant: Seung-Ho Lee, et al., filed Dec. 8, 2004 entitled LCD TV.

U.S. Appl. No. 29/228,022, Applicant Yun-Je Kang, et al., filed Apr. 19, 2005 entitled Projection Television.

U.S. Appl. No. 29/228,026, Applicant: Yun-Je Kang, et al., filed Apr. 19, 2005 entitled Projection Television.

U.S. Appl. No. 29/228,024, Applicant: Ki-Soo Kim, et al., filed Apr. 19, 2005 entitled LCD Television.

* cited by examiner

Primary Examiner—Raphael Barkai

(74) *Attorney, Agent, or Firm*—Flynn, Thiel, Boutell & Tanis, P.C.

(57) **CLAIM**

The ornamental design for a television, as shown and described.

DESCRIPTION

FIG. 1. is a top front perspective view of a television showing our new design.

FIG. 2. is a front elevational view thereof.

FIG. 3. is a rear elevational view thereof.

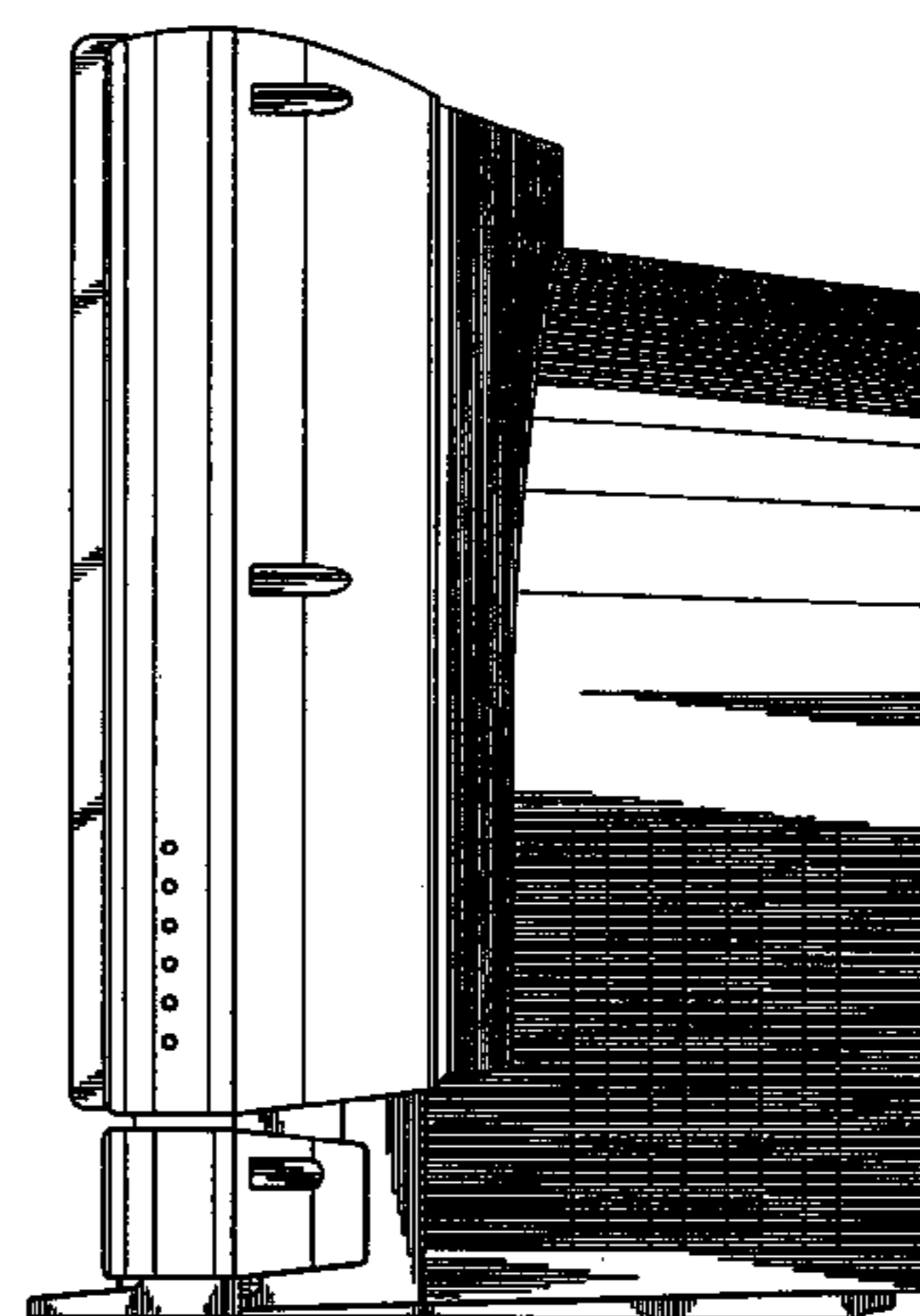
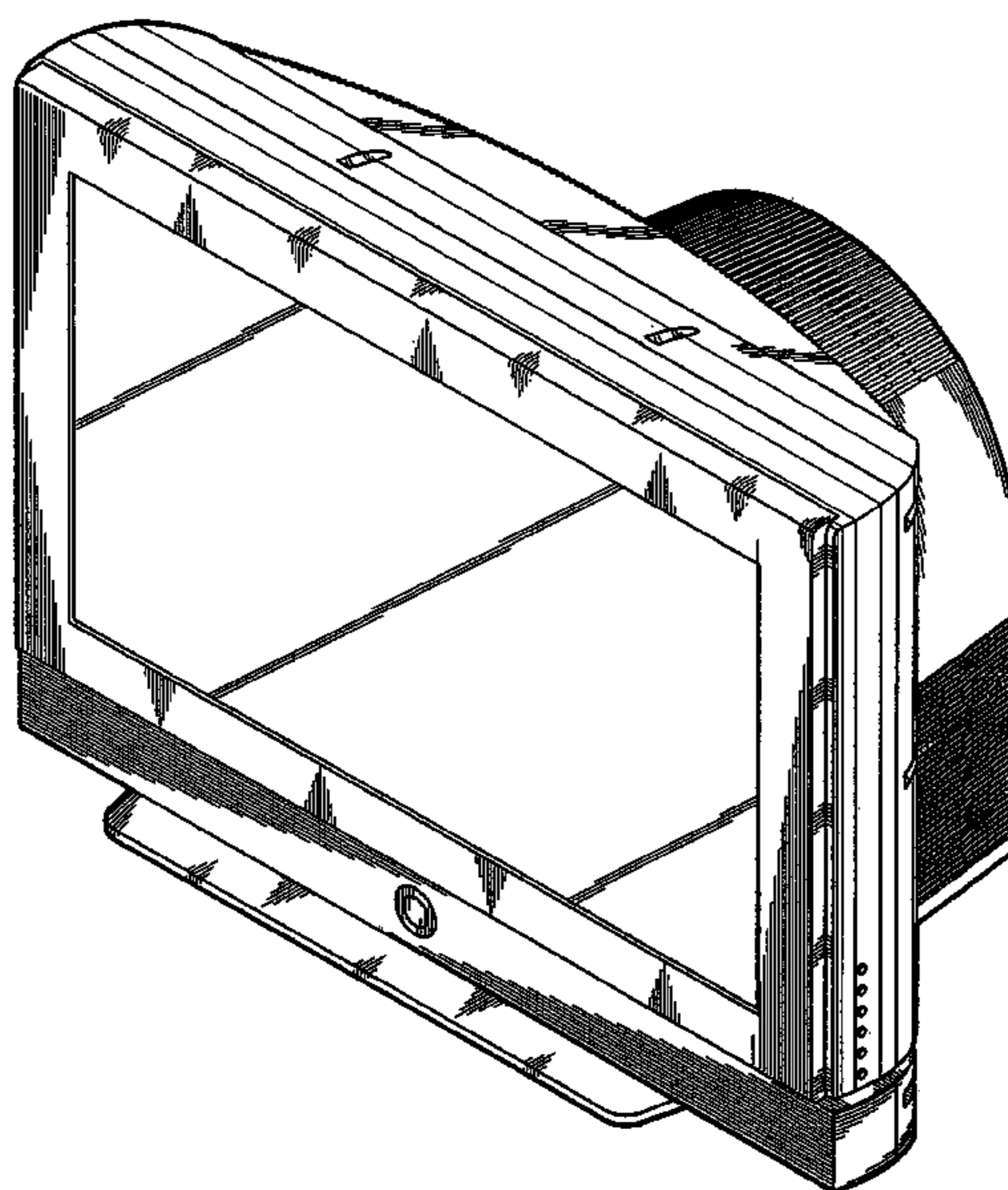
FIG. 4. is a left side elevational view thereof.

FIG. 5. is a right side elevational view thereof.

FIG. 6. is a top plan view thereof; and,

FIG. 7. is a bottom plan view thereof.

1 Claim, 6 Drawing Sheets



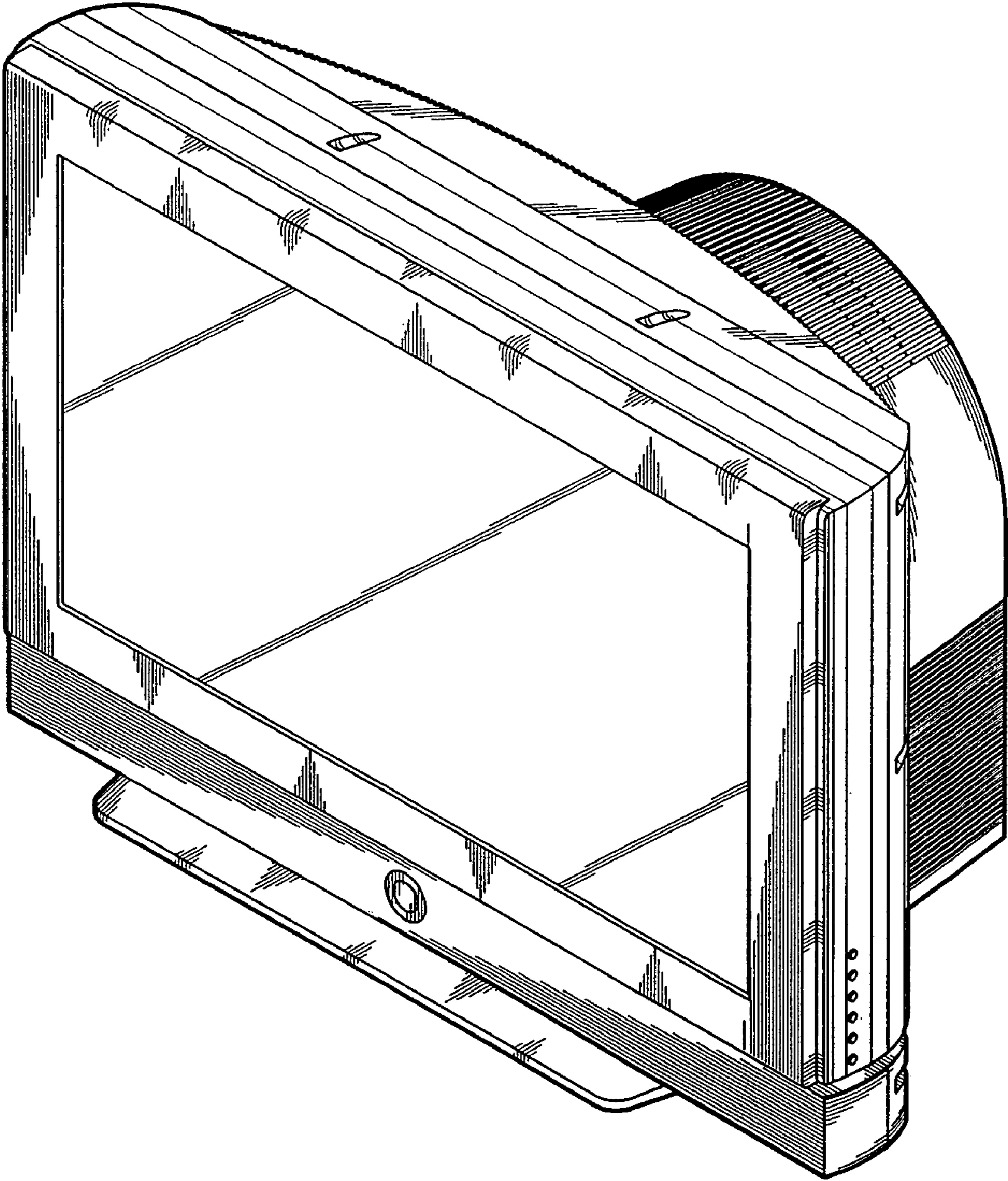


FIG. 1

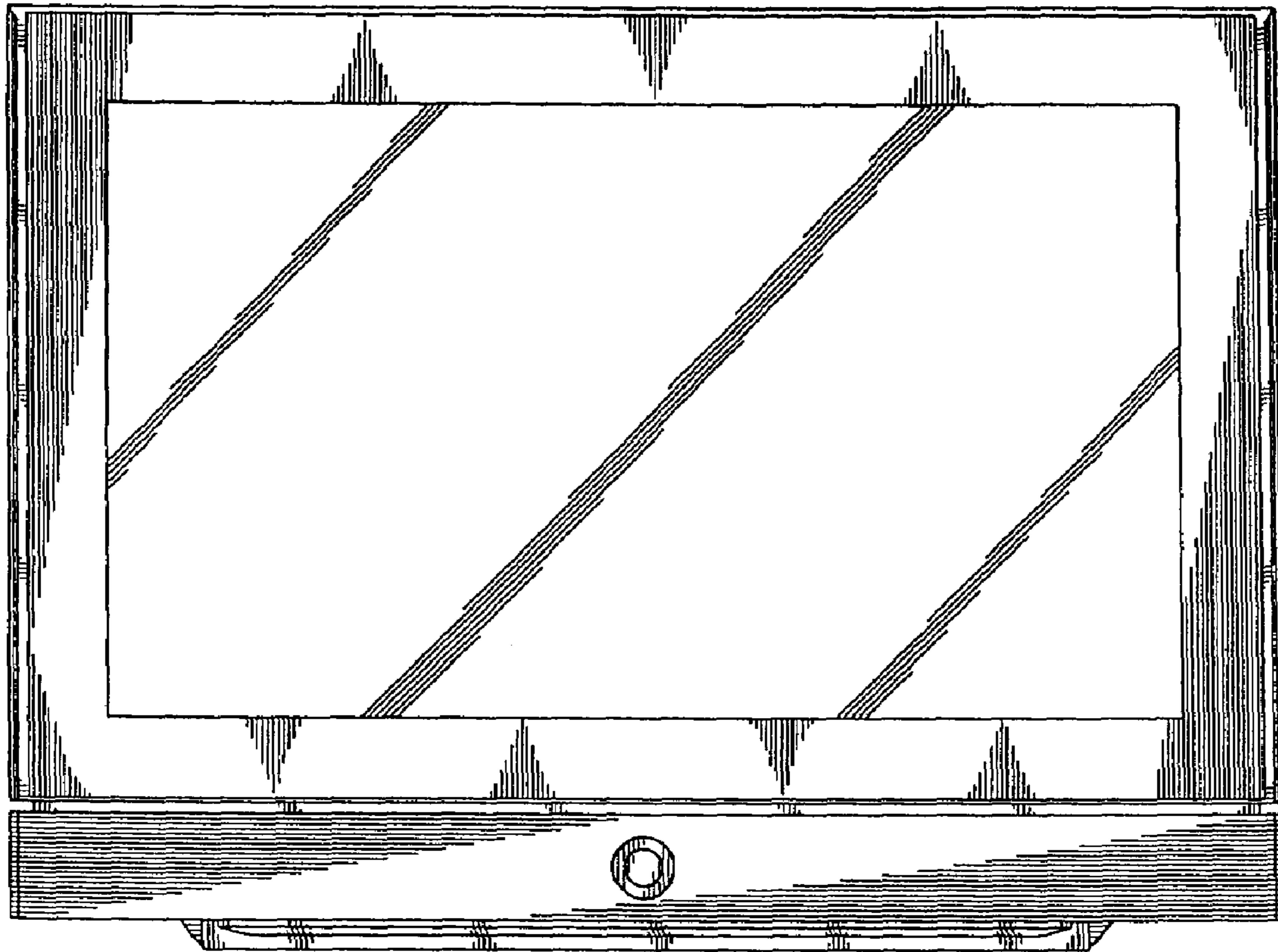


FIG. 2

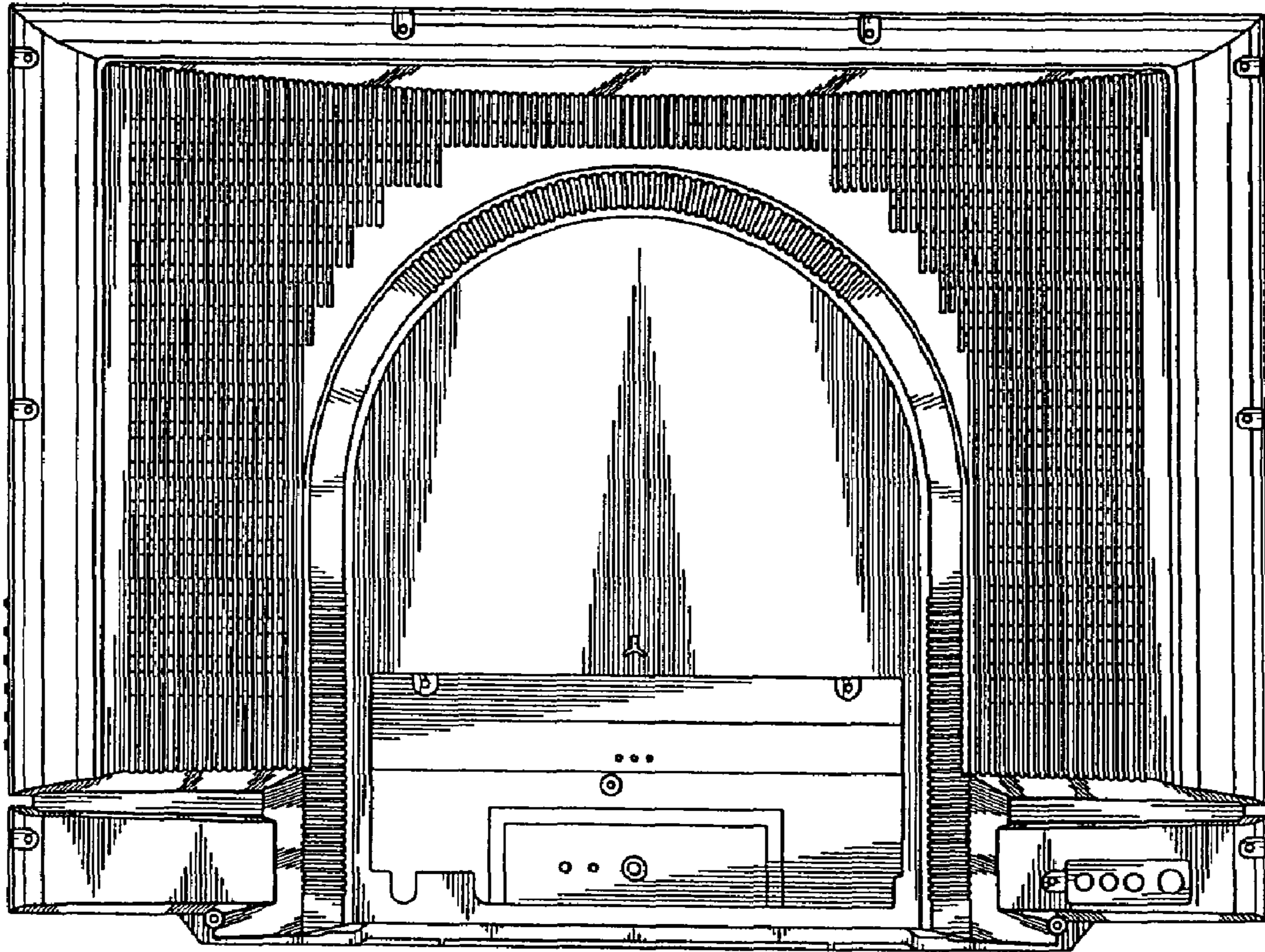


FIG. 3

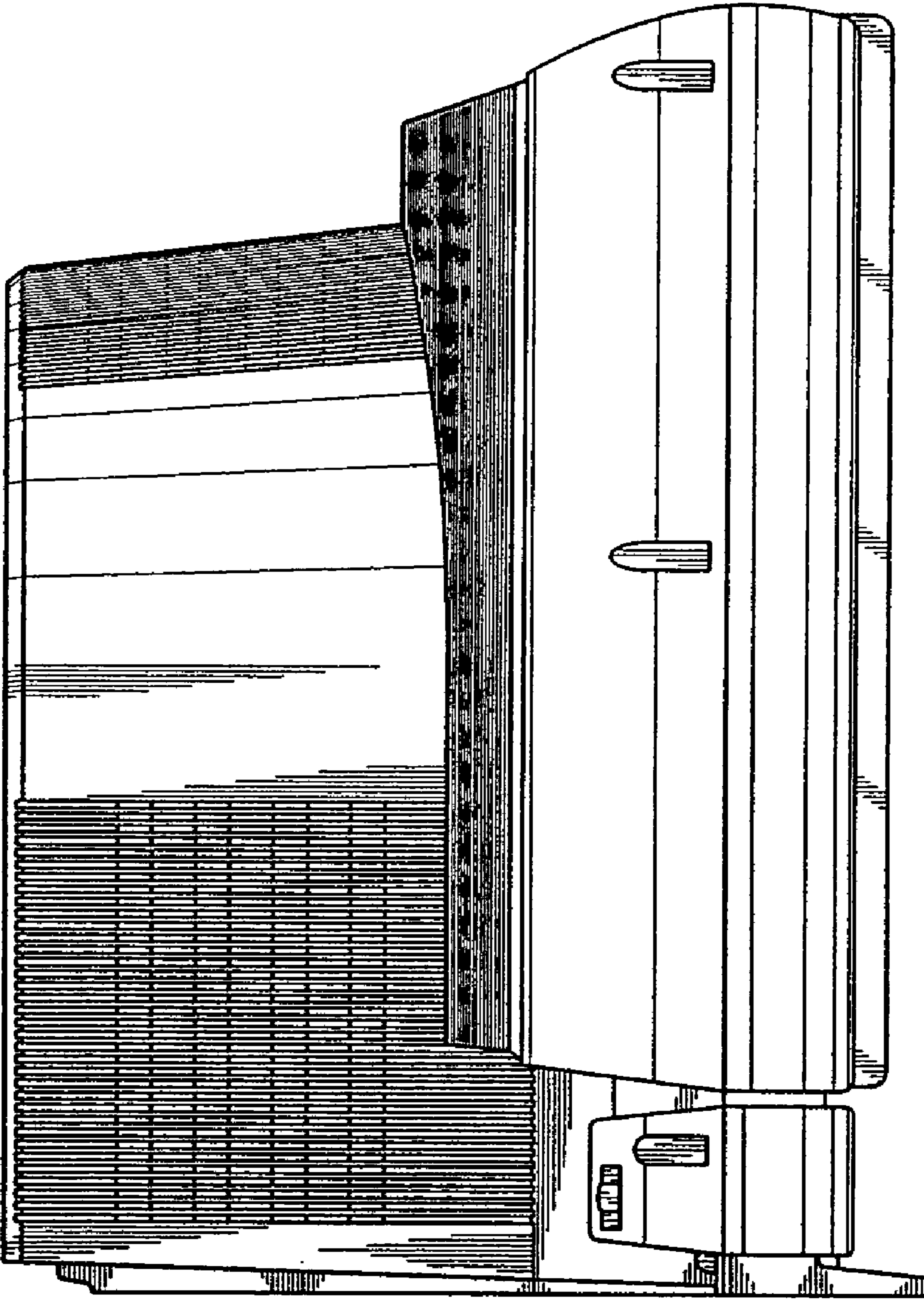


FIG. 4

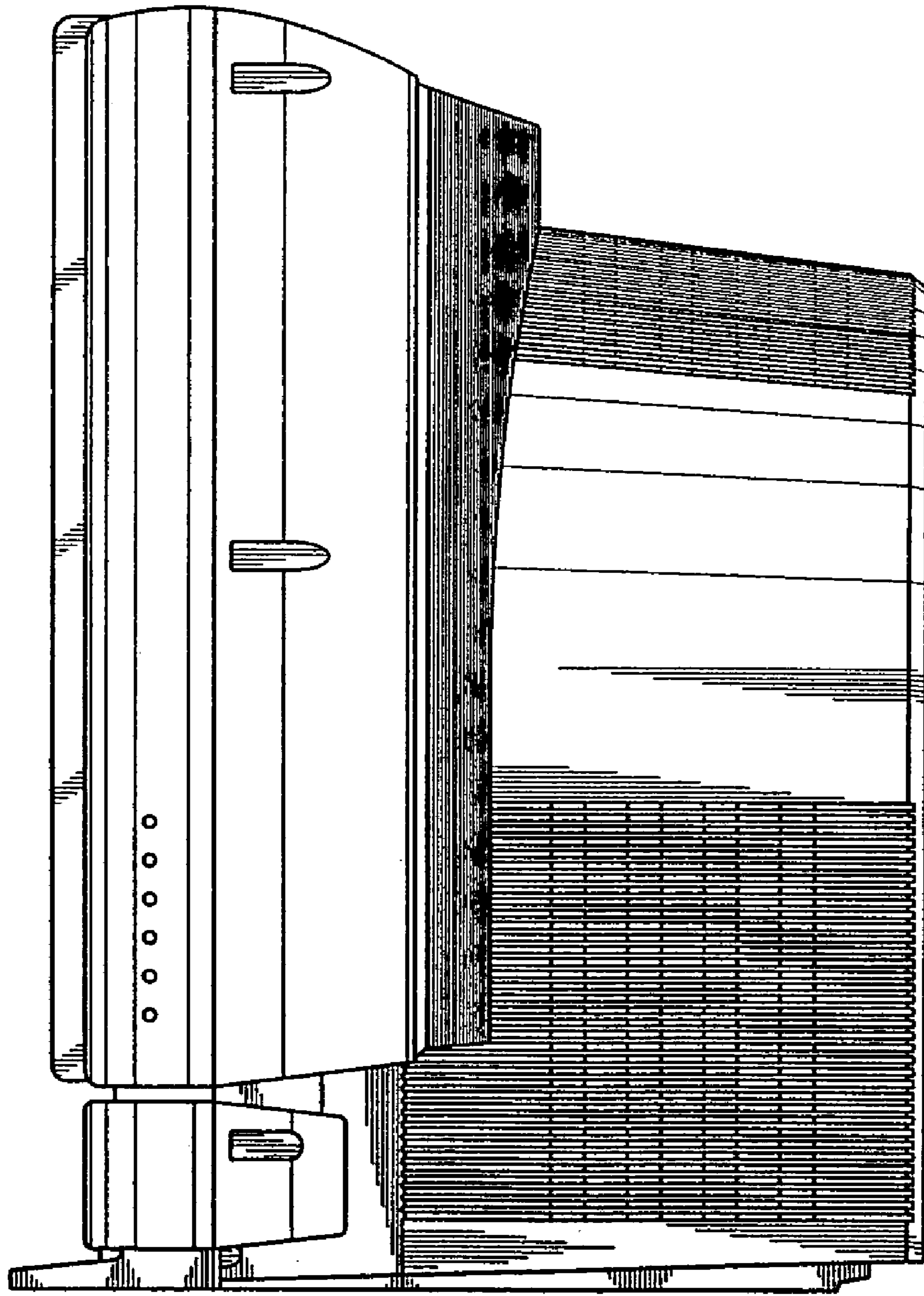


FIG. 5

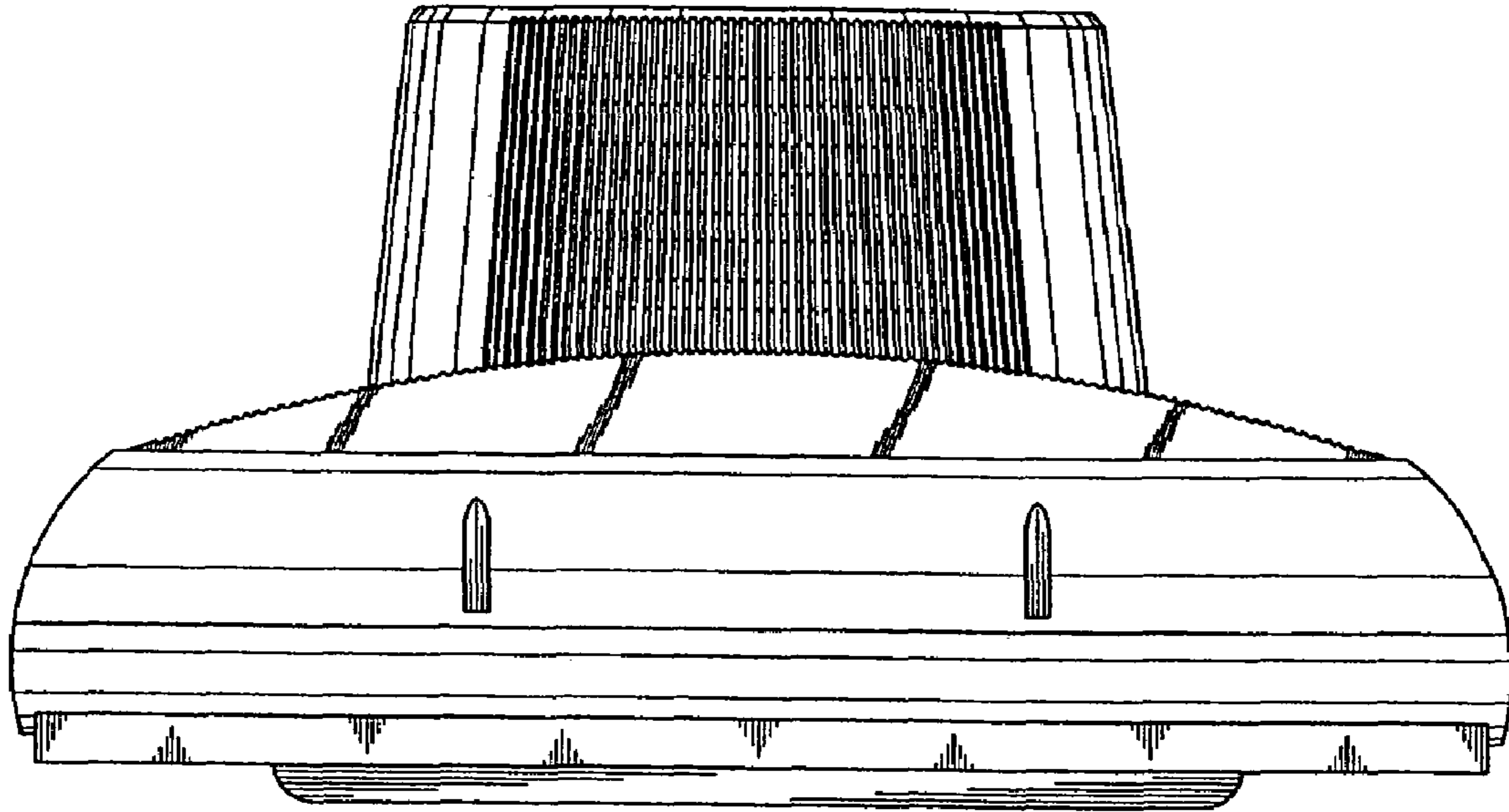


FIG. 6

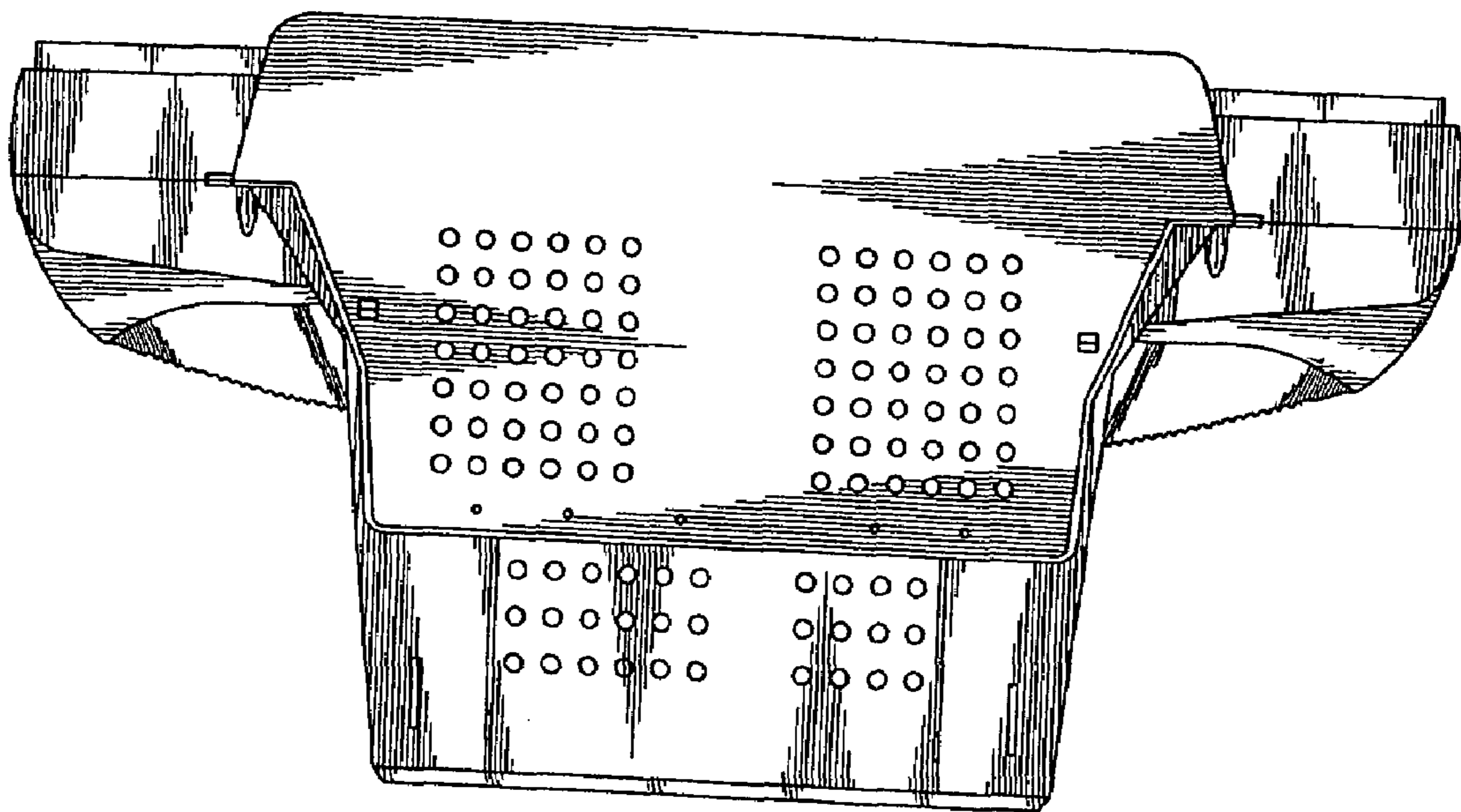


FIG. 7