

US00D547269S

(12) **United States Design Patent**
Sugita et al.

(10) **Patent No.:** **US D547,269 S**
(45) **Date of Patent:** **** Jul. 24, 2007**

(54) **ELECTRICAL CONNECTOR HOUSING**

(75) Inventors: **Takashi Sugita**, Yokkaichi (JP);
Hiroshi Kobayashi, Toyota (JP);
Yoshirou Kakuda, Toyota (JP)

(73) Assignee: **Sumitomo Wiring Systems, Ltd.** (JP)

(**) Term: **14 Years**

(21) Appl. No.: **29/247,856**

(22) Filed: **Jul. 17, 2006**

(30) **Foreign Application Priority Data**

Jan. 20, 2006 (JP) 2006-001183

(51) **LOC (8) Cl.** **13-03**

(52) **U.S. Cl.** **D13/133; D13/147**

(58) **Field of Classification Search** D13/133,
D13/146-147, 154, 184, 199; 439/135, 157,
439/180, 266, 270, 278, 328, 374, 483, 476.1,
439/752.5, 816, 892, 940

See application file for complete search history.

(56) **References Cited**

U.S. PATENT DOCUMENTS

5,368,492 A * 11/1994 Hayashi 439/157
5,474,461 A * 12/1995 Saito et al. 439/157
5,695,349 A * 12/1997 Taguchi et al. 439/157
5,810,612 A * 9/1998 Flask et al. 439/157

D459,702 S * 7/2002 Watanabe D13/147
D473,849 S * 4/2003 Yeh D13/147
2003/0109167 A1 * 6/2003 Maegawa 439/374

* cited by examiner

Primary Examiner—Daniel Bui

(74) *Attorney, Agent, or Firm*—Akerman Senterfitt

(57) **CLAIM**

The ornamental design for an electrical connector housing,
as shown and described.

DESCRIPTION

FIG. 1 is a rear perspective view of an electrical connector housing showing our new design;

FIG. 2 is a front elevation view thereof;

FIG. 3 is a rear elevation view thereof;

FIG. 4 is a top plan view thereof;

FIG. 5 is a bottom plan view thereof;

FIG. 6 is a right side elevation view thereof, left side elevation view being a mirror image thereof; and,

FIG. 7 is a rear perspective view thereof in exploded condition.

The broken line showing of the environment is for illustrative purposes only and forms no part of the claimed design.

1 Claim, 4 Drawing Sheets

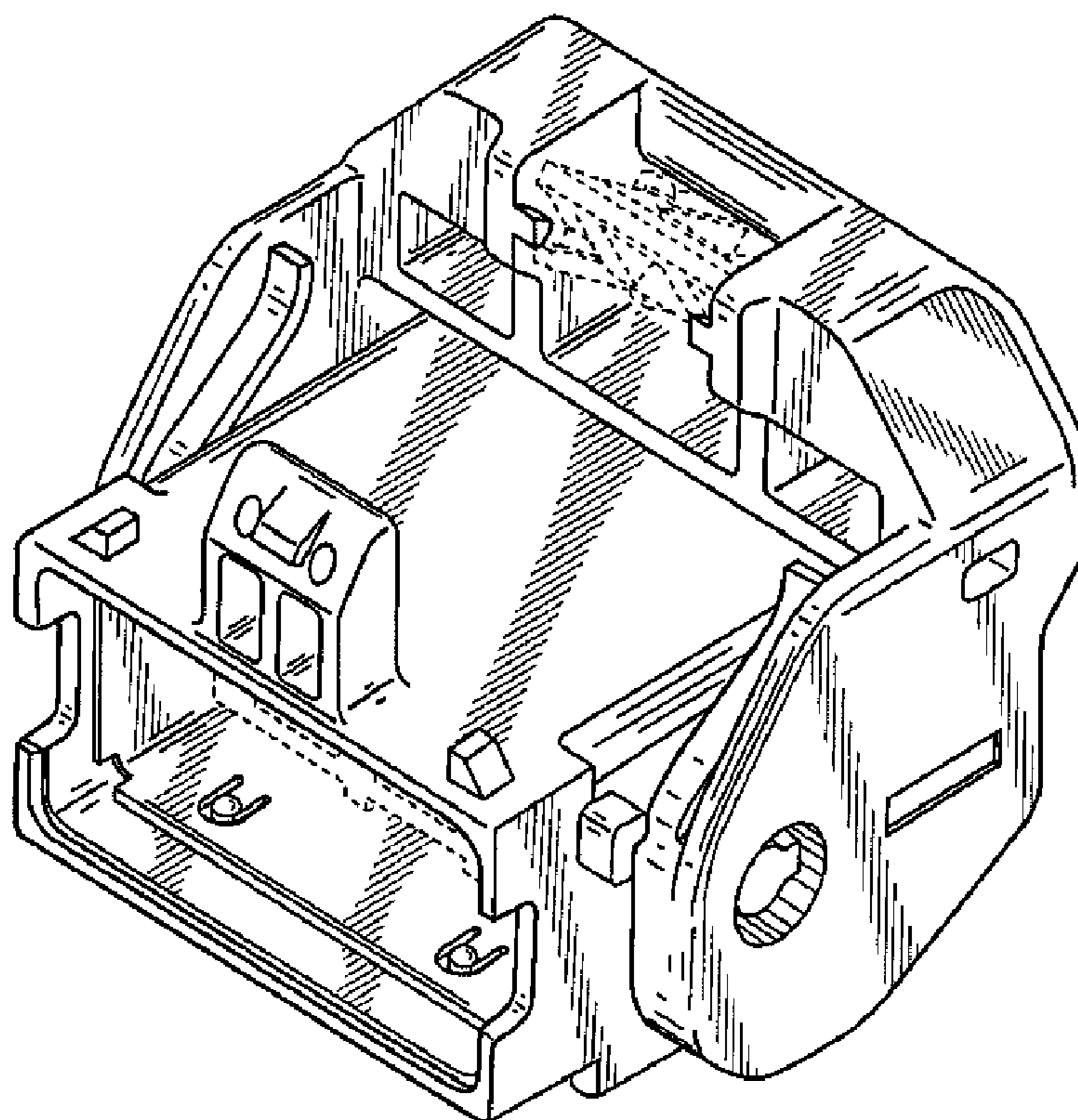


FIG. 1

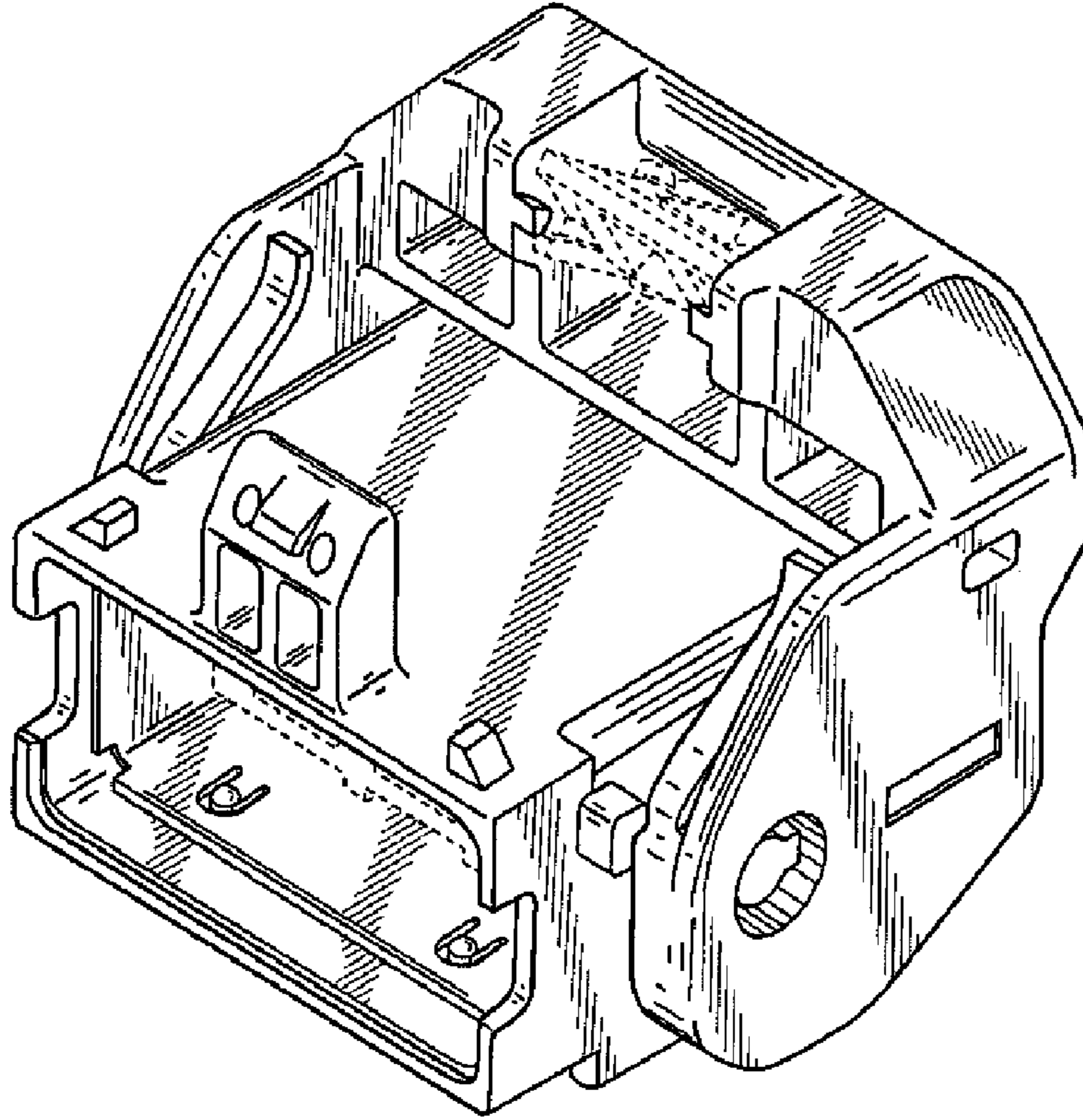


FIG. 2

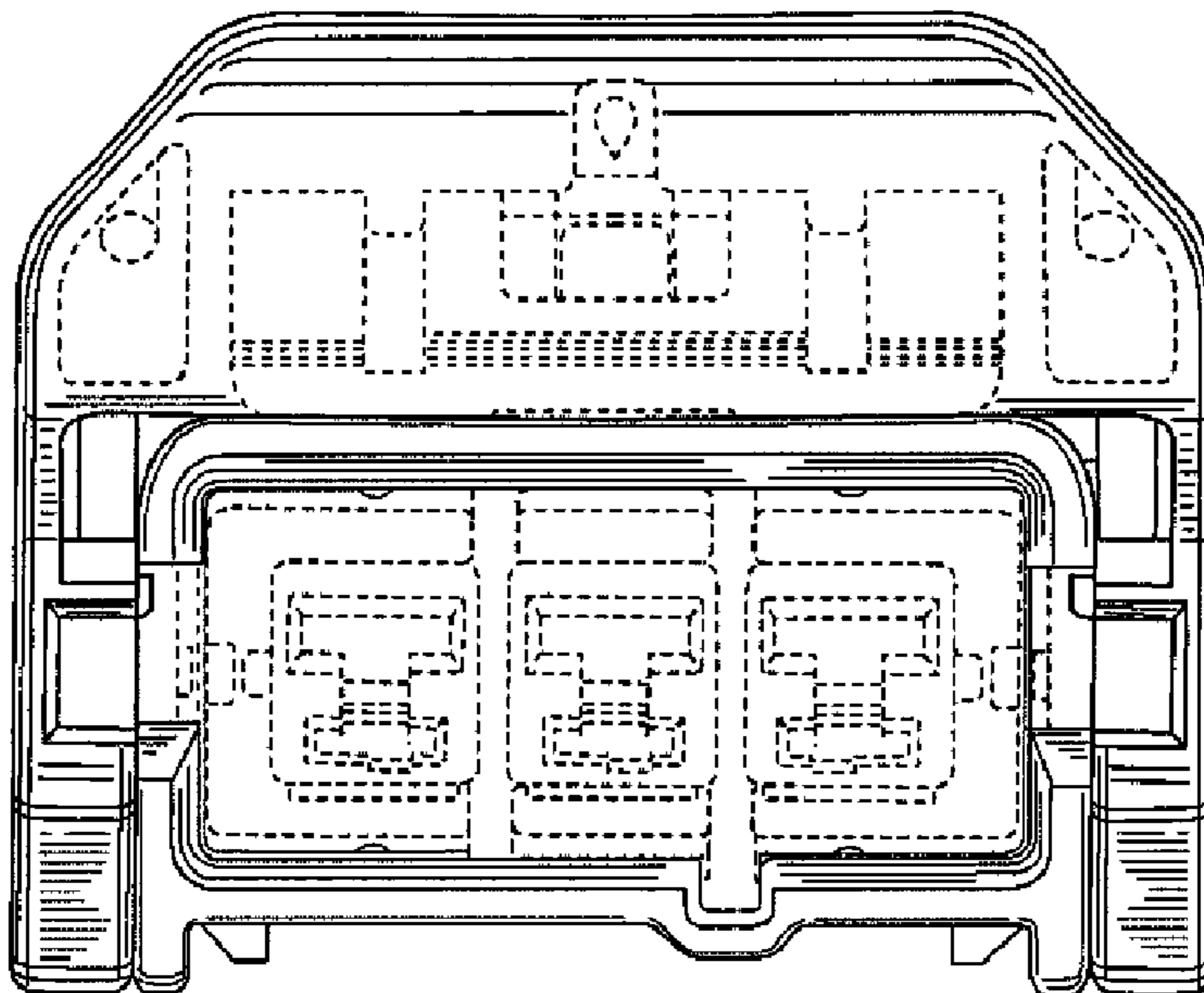


FIG. 3

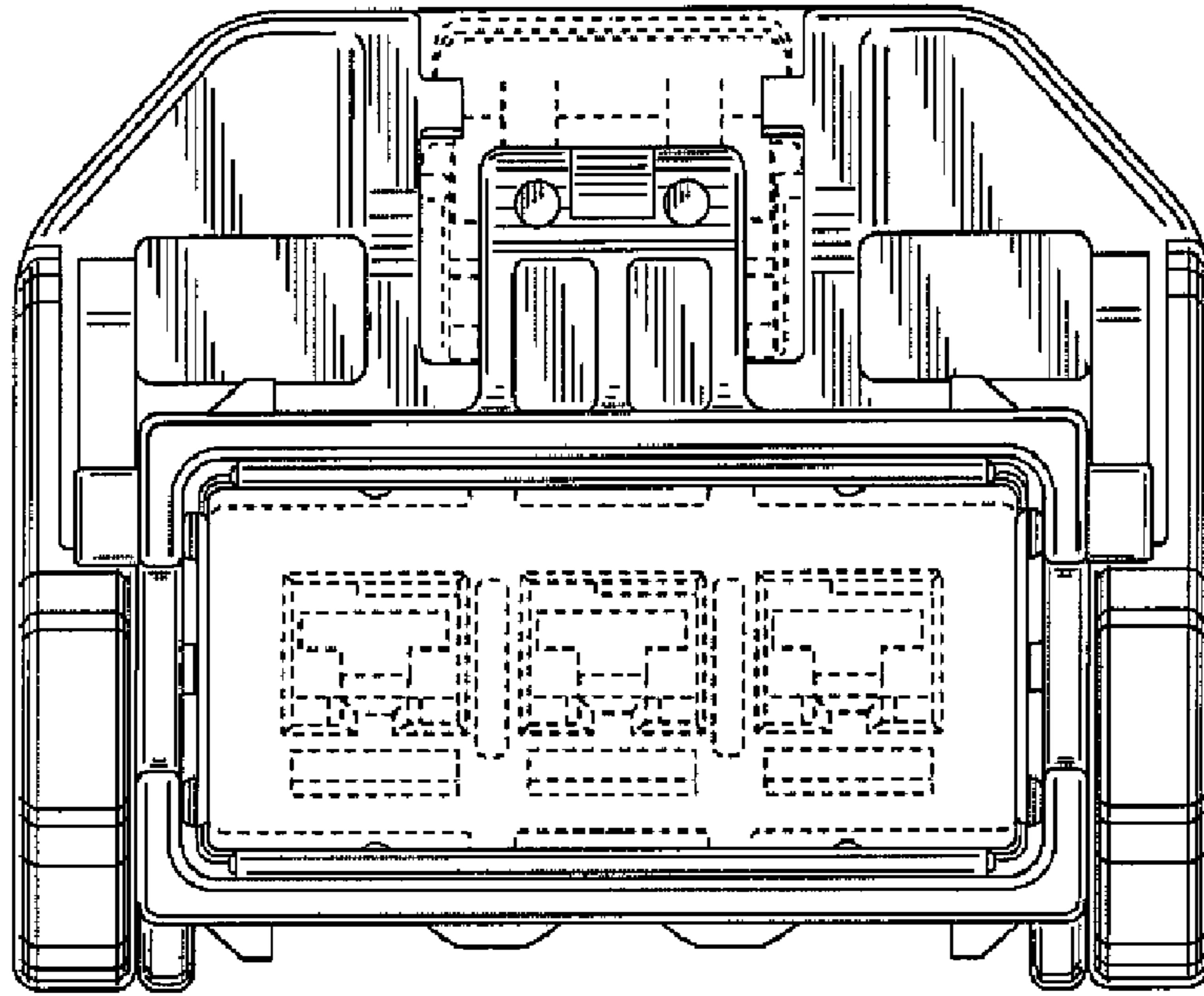


FIG. 4

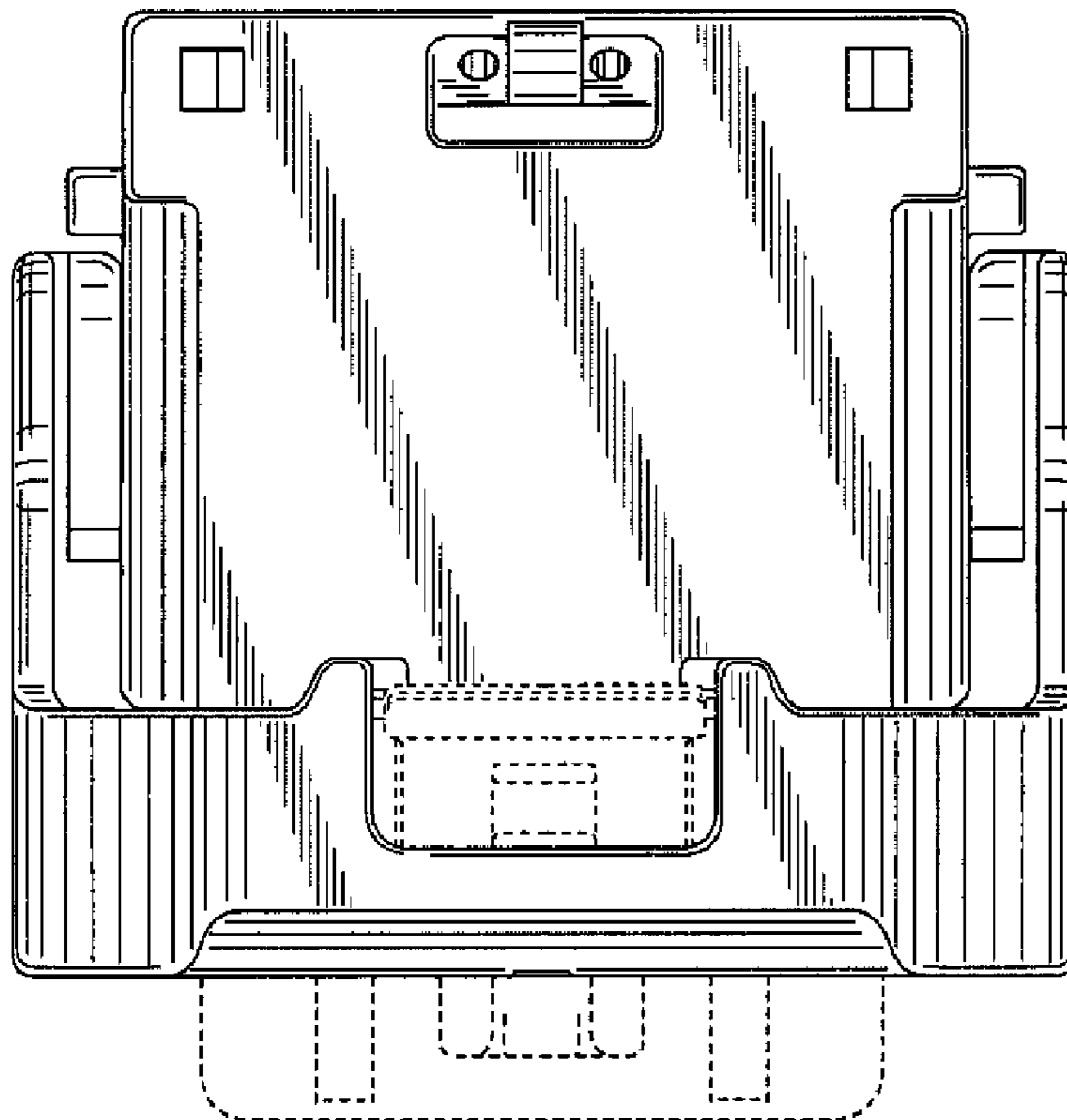


FIG. 5

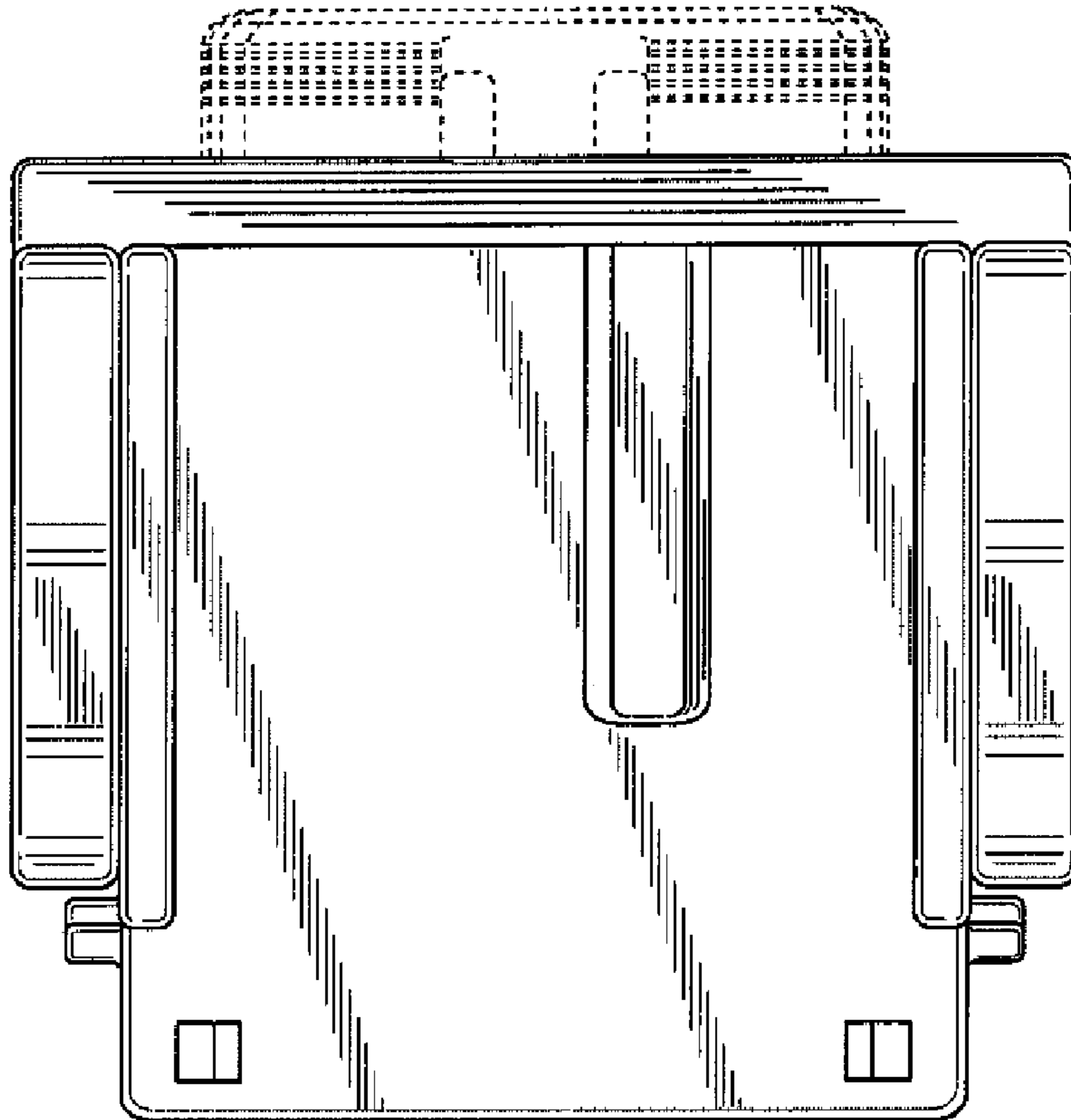


FIG. 6

