

US00D547268S

(12) **United States Design Patent** (10) **Patent No.:** **US D547,268 S**
Sato (45) **Date of Patent:** **** Jul. 24, 2007**

(54) **JACK**
(75) Inventor: **Yoshitaka Sato**, Tokyo (JP)
(73) Assignee: **SMK Corporation**, Tokyo (JP)
(**) Term: **14 Years**
(21) Appl. No.: **29/230,449**
(22) Filed: **May 20, 2005**
(30) **Foreign Application Priority Data**
Nov. 25, 2004 (JP) 2004-035821
(51) **LOC (8) Cl.** **13-03**
(52) **U.S. Cl.** **D13/133**
(58) **Field of Classification Search** D13/133,
D13/146, 154, 184, 199; 381/384, 394; 439/79,
439/188, 278, 607, 668, 894
See application file for complete search history.

JP 808809 S 3/1991
JP 810735 S 4/1991
JP 835200 S 4/1992
JP 856450 S 12/1992
JP 856585 S 12/1992
JP 884916 S 11/1993
JP 899043 S 5/1994
JP 930600 S 7/1995
JP 933837 S 8/1995
JP 1108702 S 1/1996
JP 964934 S 2/1996
JP 1101590 S 8/1996
JP 1108881 S 8/1996
JP 1149164 S 11/1996
JP 1006300 S 3/1998
JP 1006312 S 3/1998
JP 1006318 S 3/1998
JP 1082193 S 8/2000
JP 1082198 S 8/2000
JP 1104560 S 2/2001
JP 1117579 S 8/2001
JP 1117580 S 8/2001
JP 1117581 S 8/2001

(56) **References Cited**

(Continued)

U.S. PATENT DOCUMENTS

4,946,400 A * 8/1990 Kawai et al. 439/79
5,797,769 A * 8/1998 Yang et al. 439/571
D431,528 S * 10/2000 Zhu et al. D13/133
D435,015 S * 12/2000 Wang D13/133
6,231,396 B1 * 5/2001 Huang 439/668
6,280,245 B1 * 8/2001 Han 439/541.5
6,312,267 B1 * 11/2001 Wang 439/92
6,322,397 B1 * 11/2001 Zhang 439/668
D461,771 S * 8/2002 Zhao et al. D13/133
2006/0160427 A1 * 7/2006 Yin 439/668

FOREIGN PATENT DOCUMENTS

JP 716698 S 11/1987
JP 719424 S 11/1987
JP 719425 S 11/1987
JP 737032 S 6/1988
JP 740537 S 8/1988
JP 805963 S 1/1991
JP 805964 S 1/1991
JP 805965 S 1/1991
JP 808650 S 3/1991
JP 808808 S 3/1991

Primary Examiner—Nanda Bondade
Assistant Examiner—Daniel Bui
(74) *Attorney, Agent, or Firm*—Darby & Darby

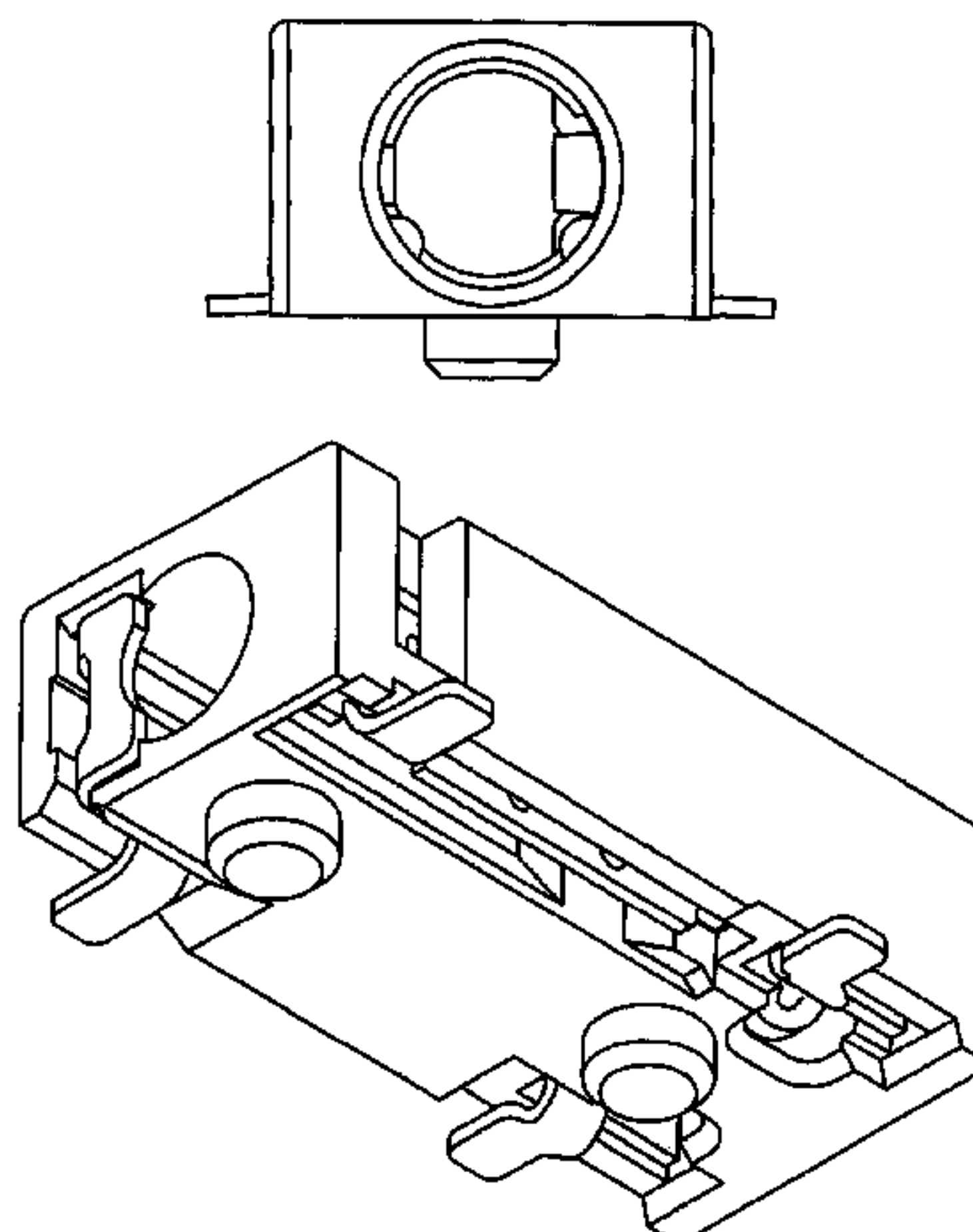
(57) **CLAIM**

The ornamental design for a jack, as shown and described.

DESCRIPTION

FIG. 1 is a front elevation view of a jack, showing my new design;
FIG. 2 is a bottom plan view thereof;
FIG. 3 is a rear, bottom and left side perspective view thereof;
FIG. 4 is a rear elevation view thereof;
FIG. 5 is a top plan view thereof;
FIG. 6 is a right side elevation view thereof;
FIG. 7 is a left side elevation view thereof; and,
FIG. 8 is a front, top and right side perspective view thereof.

1 Claim, 8 Drawing Sheets



US D547,268 S

Page 2

FOREIGN PATENT DOCUMENTS			
		JP	1196583 S 2/2004
		JP	1218474 S 9/2004
JP	1117582 S	8/2001	
JP	2002-012390 S	1/2002	
JP	1149423 S	8/2002	
JP	1188751 S	10/2003	
		JP	D1249159 S 8/2005
		JP	D1264366 S 3/2006
		* cited by examiner	

FIG. 1

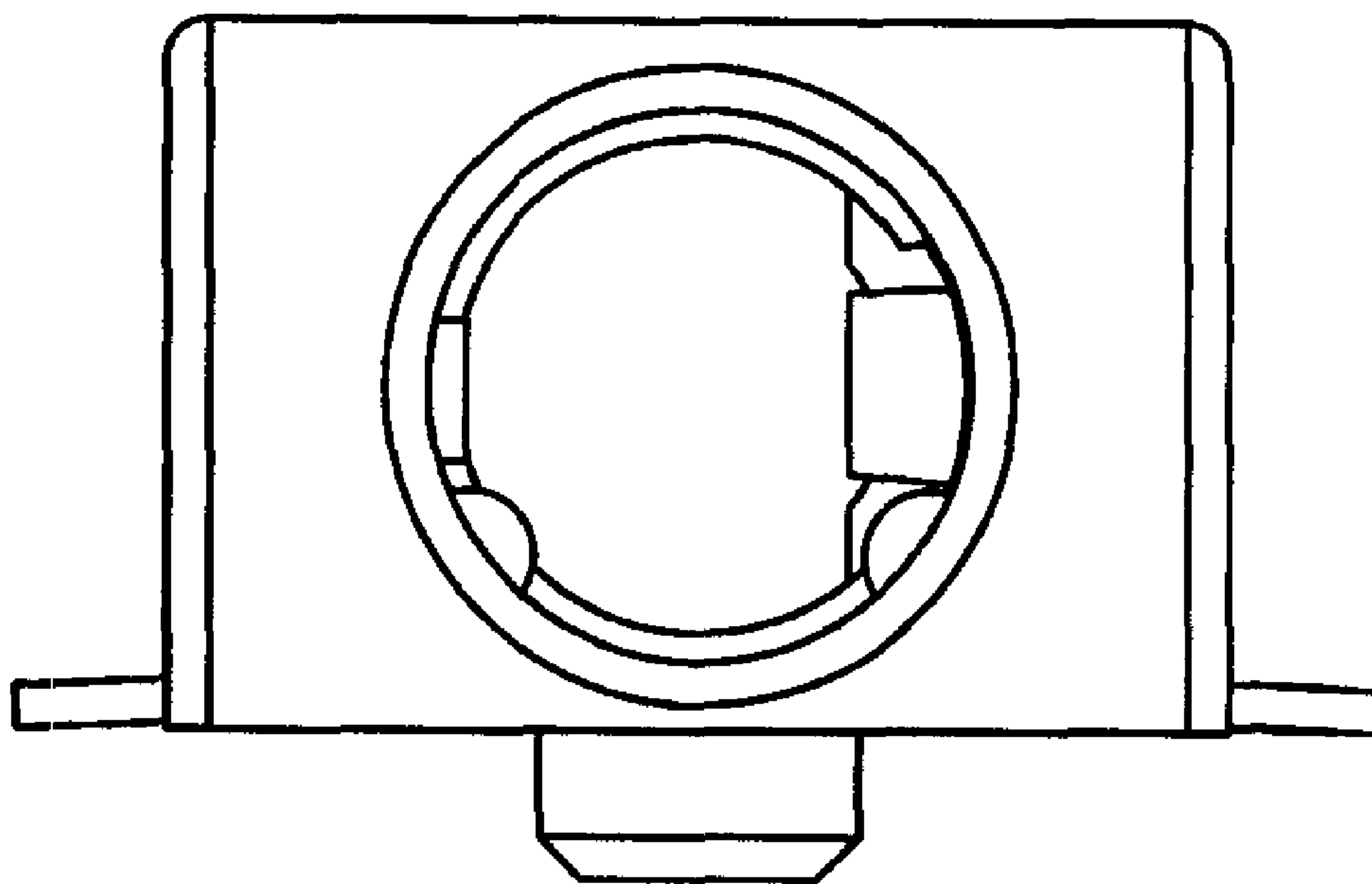


FIG. 2

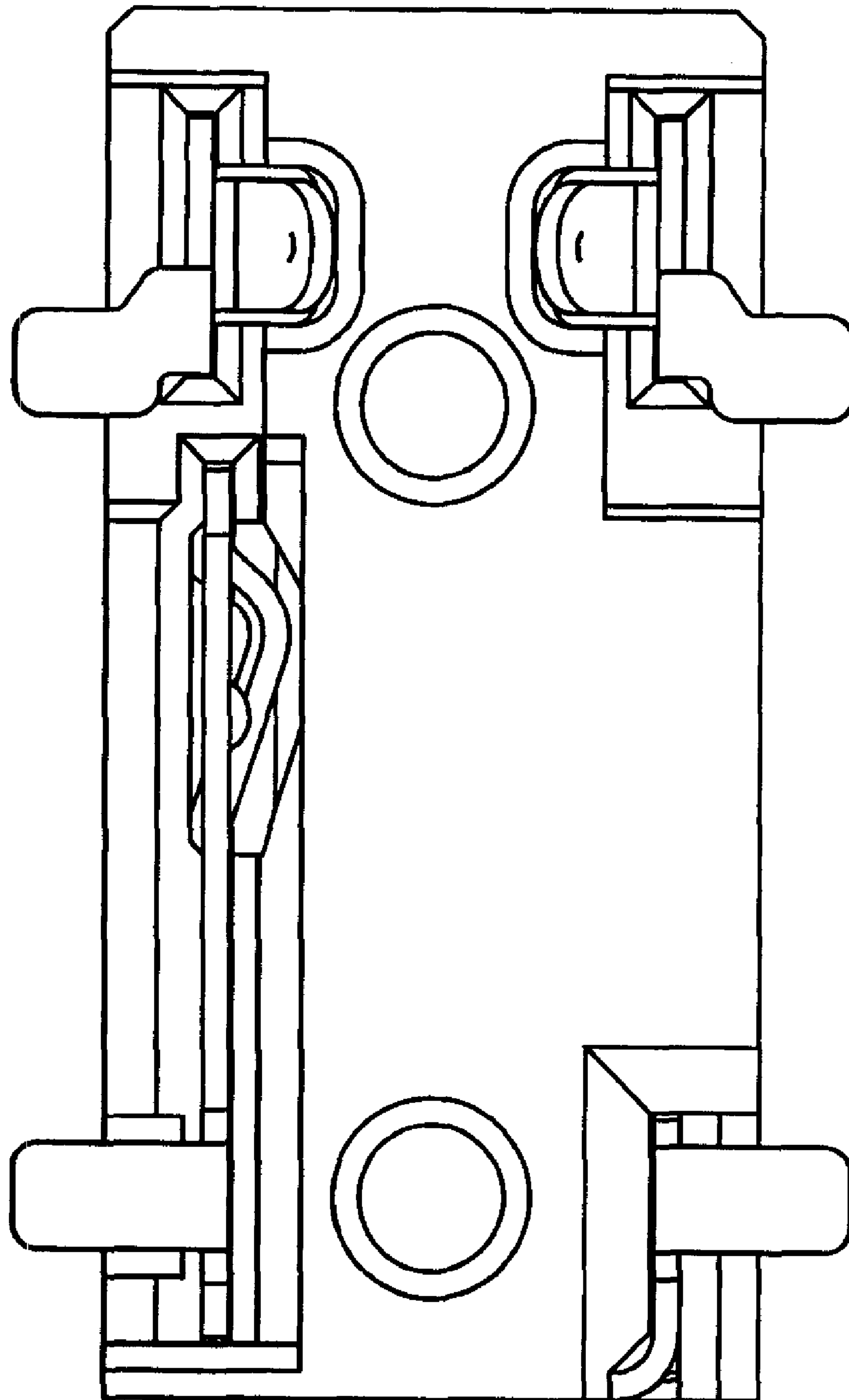


FIG. 3

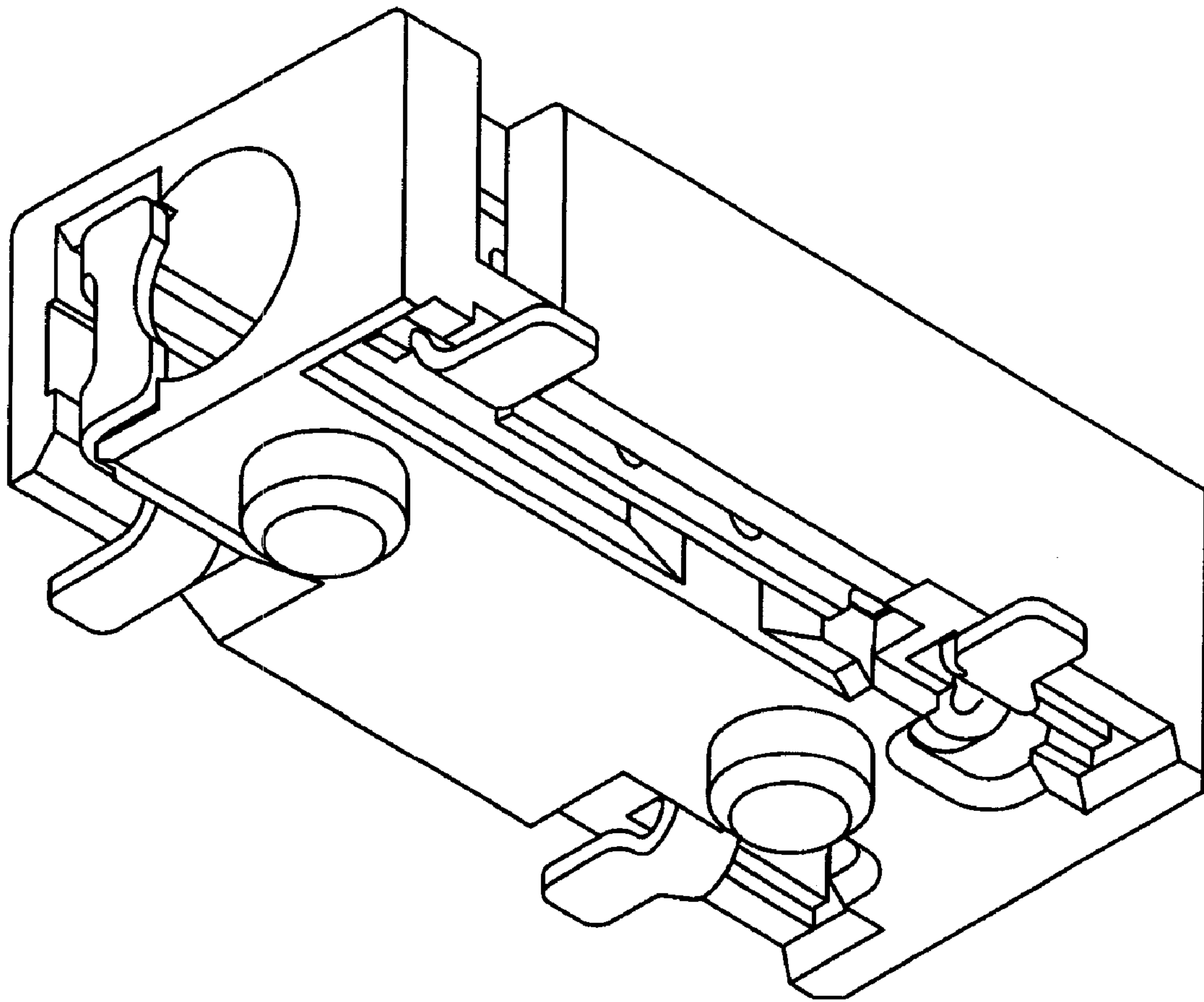


FIG. 4

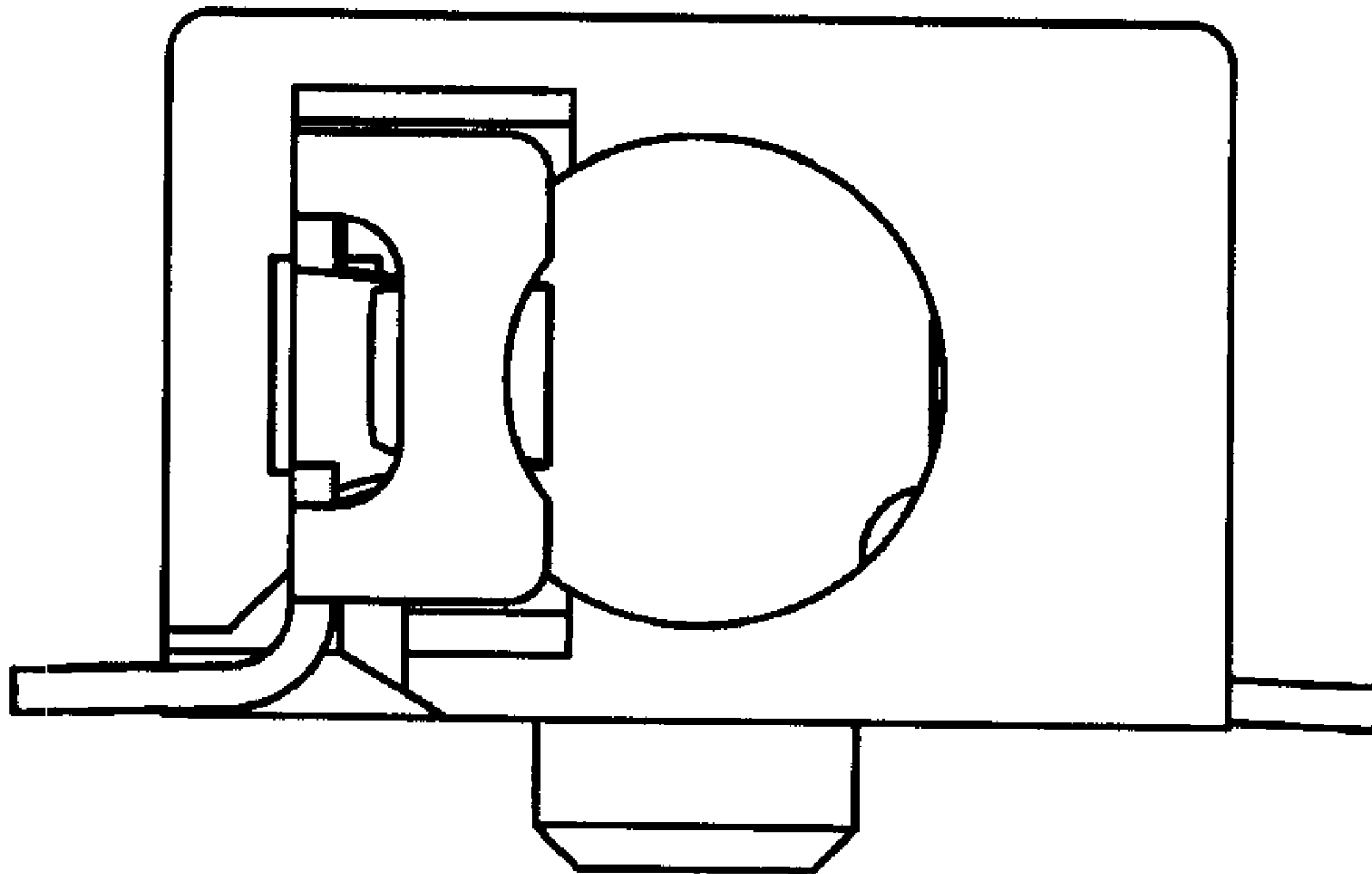


FIG. 5

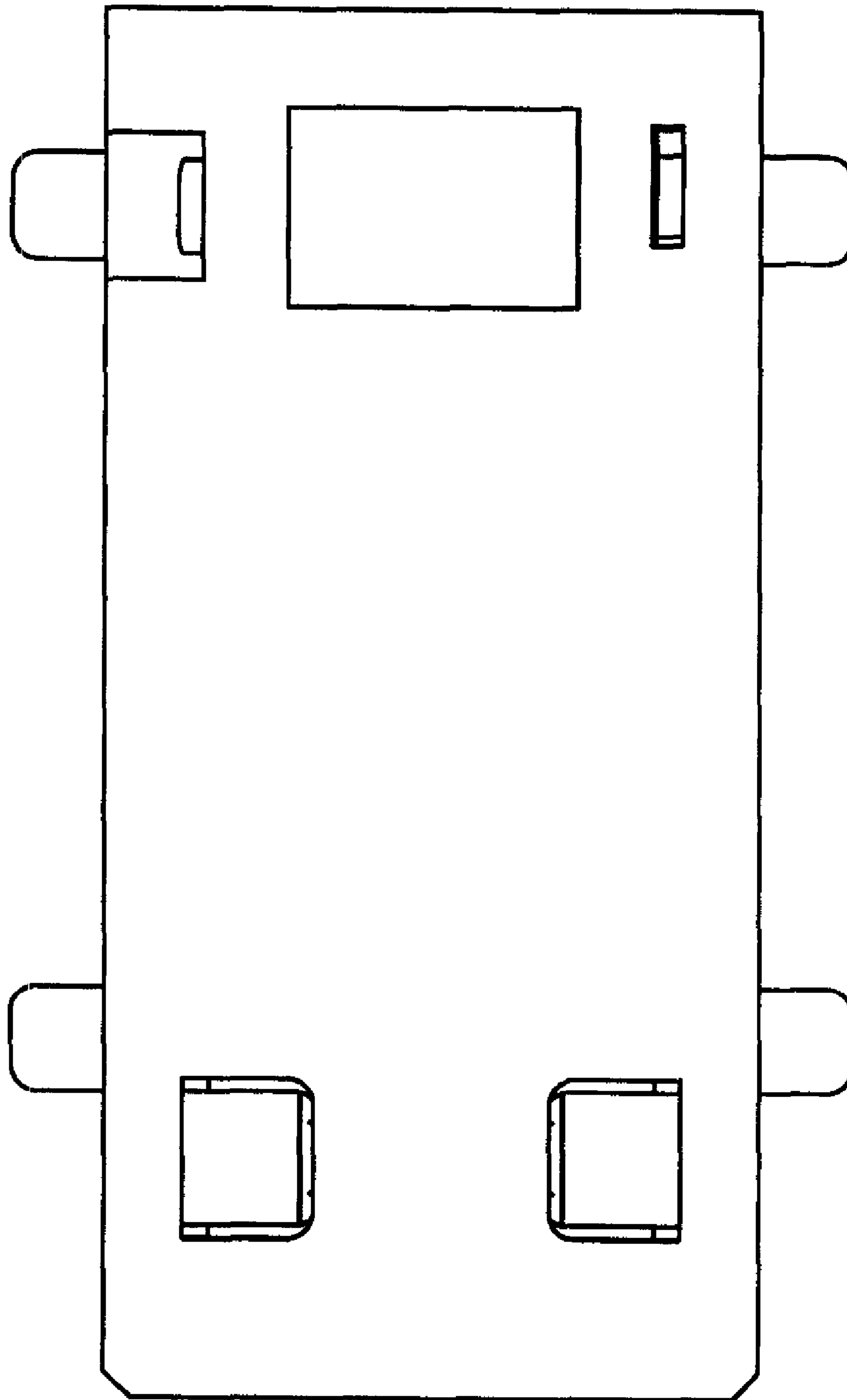


FIG. 6

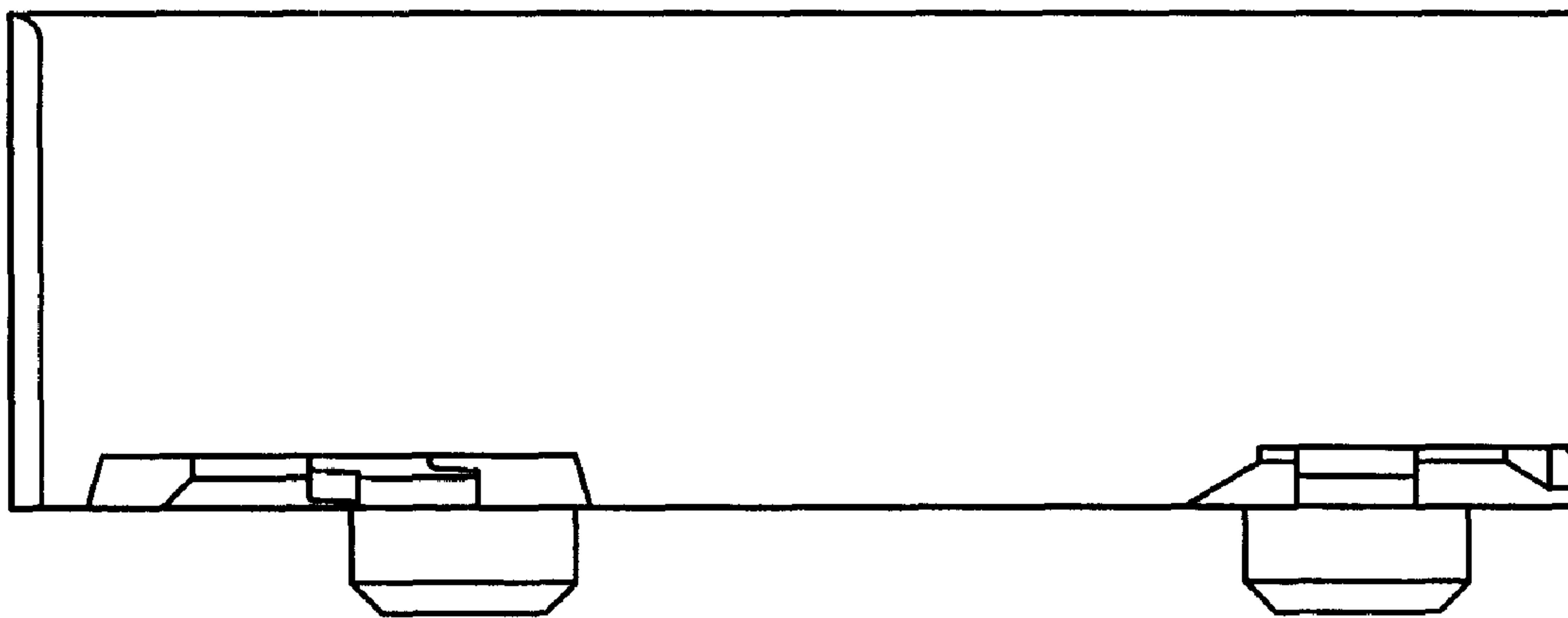


FIG. 7

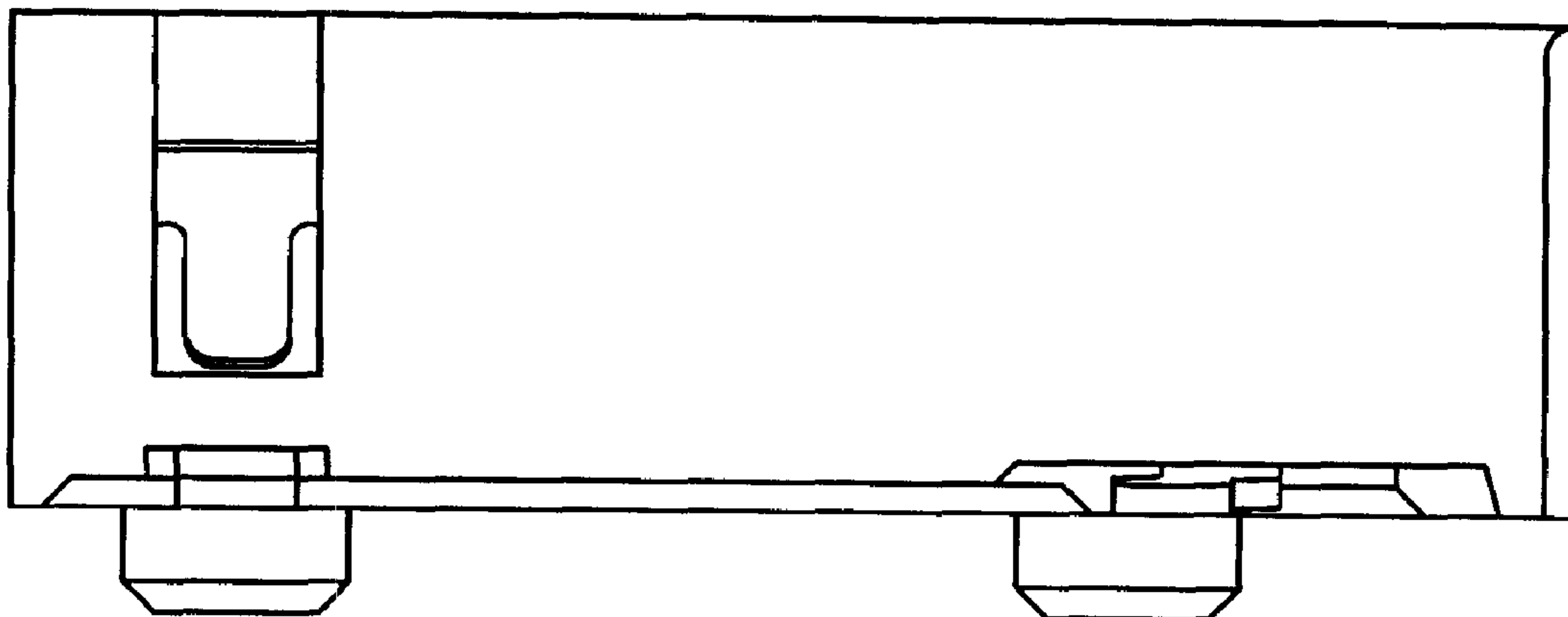


FIG. 8

