

US00D547267S

(12) **United States Design Patent** (10) **Patent No.:** **US D547,267 S**
Thorsteinsson et al. (45) **Date of Patent:** **** Jul. 24, 2007**

(54) **ELECTRICAL TRANSFORMER**
(75) Inventors: **Sigurdur Thorsteinsson**, Milan (IT);
Egil Stryken, Solbergelva (NO);
Richard Tinggren, Thalwil (CH)

(73) Assignee: **ABB Technology AG** (CH)

(**) Term: **14 Years**

(21) Appl. No.: **29/275,260**

(22) Filed: **Dec. 19, 2006**

Related U.S. Application Data

(62) Division of application No. 29/204,775, filed on May 5, 2004.

(30) **Foreign Application Priority Data**

Nov. 12, 2003 (EM) 000102397

(51) **LOC (8) Cl.** **13-02**

(52) **U.S. Cl.** **D13/110**

(58) **Field of Classification Search** D13/110,
D13/4, 11, 101, 199; 174/52 R; 220/4.02;
336/92, 94, 98, 107; 363/153, 171
See application file for complete search history.

(56) **References Cited**

U.S. PATENT DOCUMENTS

D188,248 S	6/1960	Albright et al.
D188,249 S	6/1960	Albright et al.
2,947,957 A	8/1960	Spindler
D202,045 S	8/1965	Oberlin
3,479,563 A	11/1969	Roy

3,781,741 A *	12/1973	Weiner	336/192
4,027,279 A	5/1977	Shigehara et al.		
D257,342 S	10/1980	Payne		
4,257,027 A *	3/1981	Yasuhisa	336/192
D259,040 S	4/1981	Pierce		
D290,456 S	6/1987	Burgher et al.		
D294,565 S *	3/1988	Makinson et al.	D13/110
D324,371 S *	3/1992	Patty	D13/110
6,185,811 B1	2/2001	Perry et al.		

OTHER PUBLICATIONS

ABB Inc., Power Transformers, 2003, 11 pgs.
ASA Trafobau GmbH, 24 pgs.
Koncar-Distributivni i Specijalni Transformatori d.d., Power Trans-
formers, (3,2) V 01, 8 pgs.
SGB Starkstrom and Smit Transformers, Partners in Power, 6 pgs.
MF Transformation srl, Oil Filled Transformer, 14 pgs.

* cited by examiner

Primary Examiner—Stella Reid
Assistant Examiner—Derrick Holland
(74) *Attorney, Agent, or Firm*—Connolly Bove Lodge &
Hutz, LLP

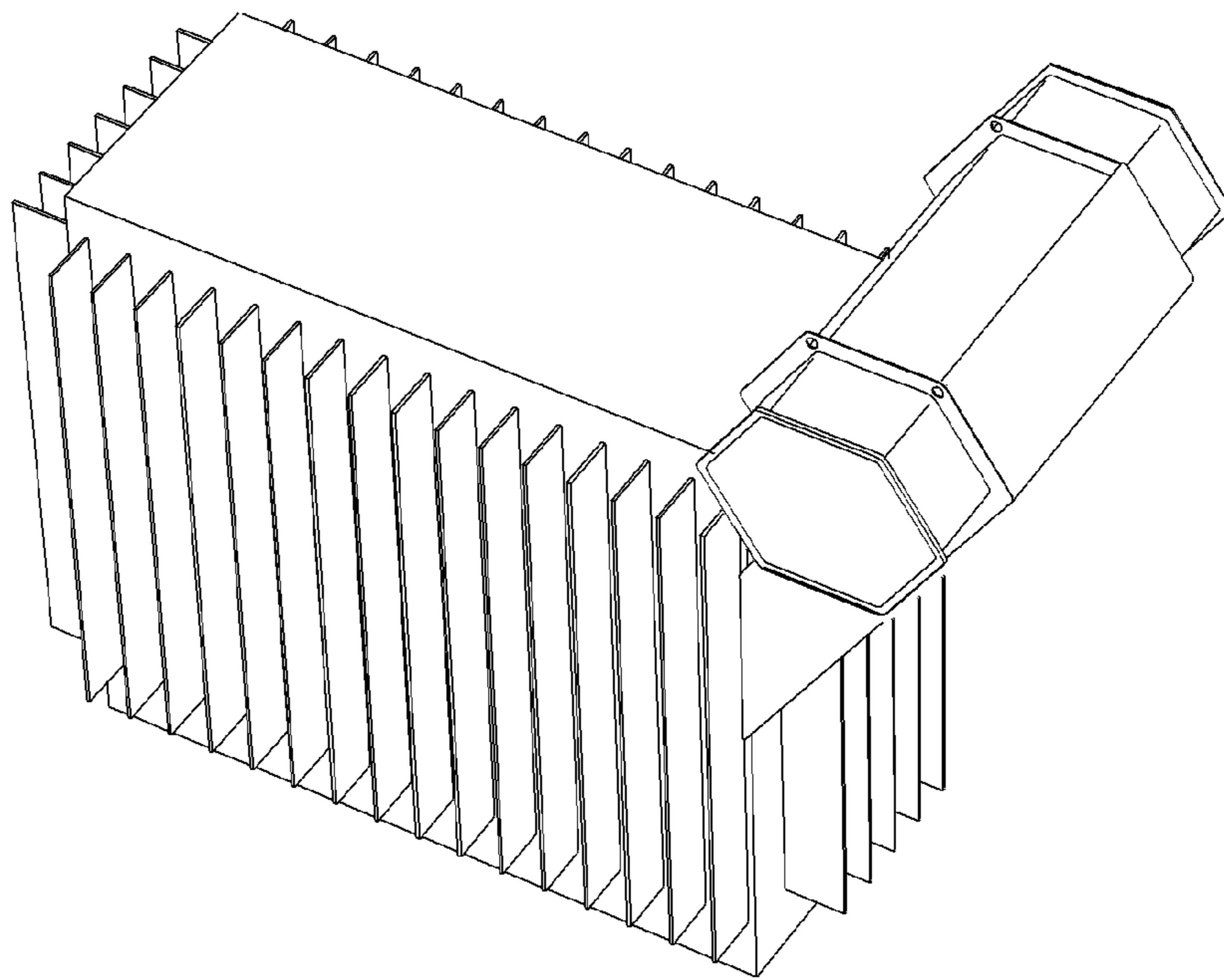
(57) **CLAIM**

The ornamental design for an electrical transformer, as shown and described.

DESCRIPTION

FIG. 1 is a front view of an electrical transformer;
FIG. 2 is a side view of said electrical transformer;
FIG. 3 is a top view of said electrical transformer; and,
FIG. 4 is a perspective view of said electrical transformer.

1 Claim, 3 Drawing Sheets



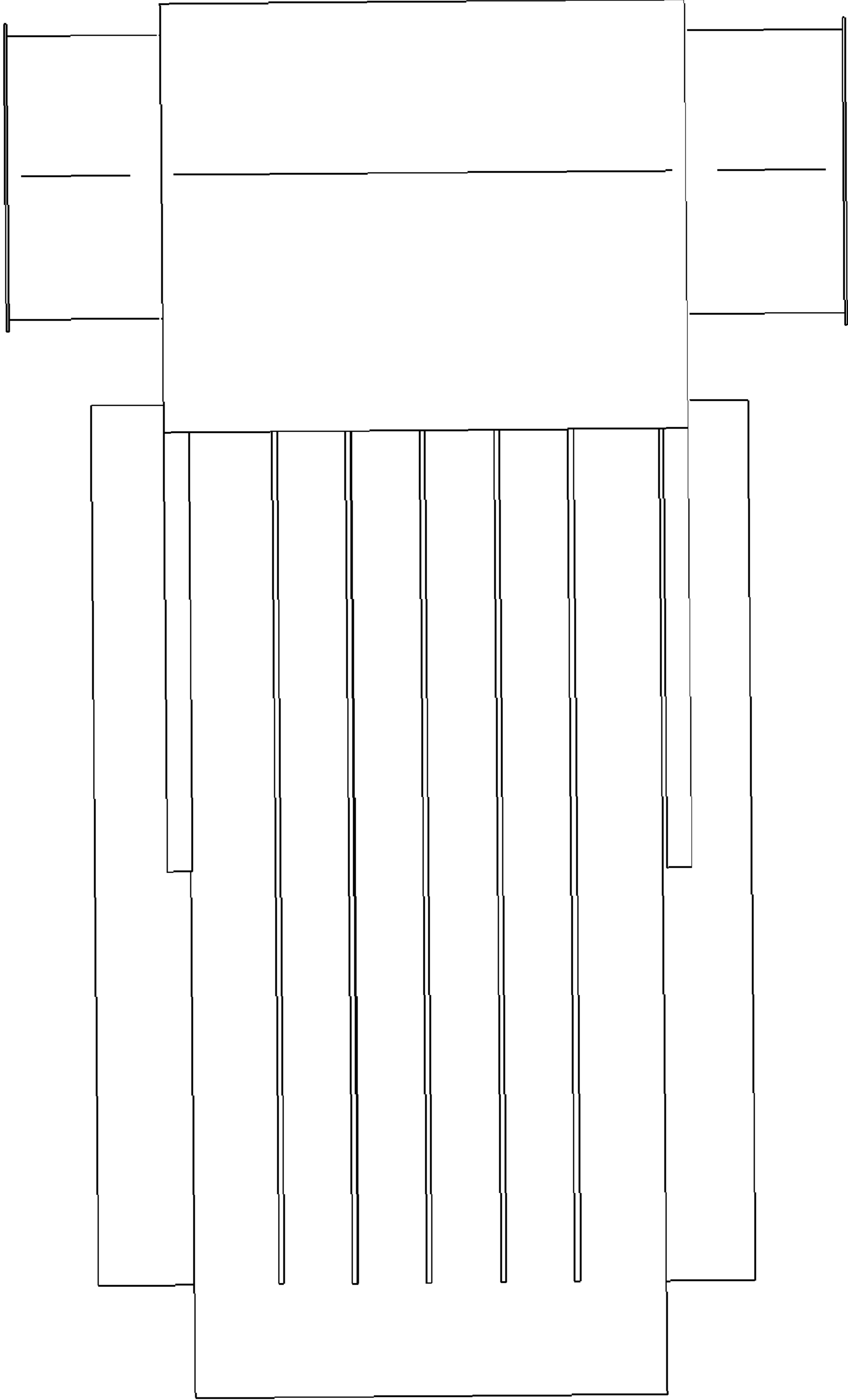


FIG. 1

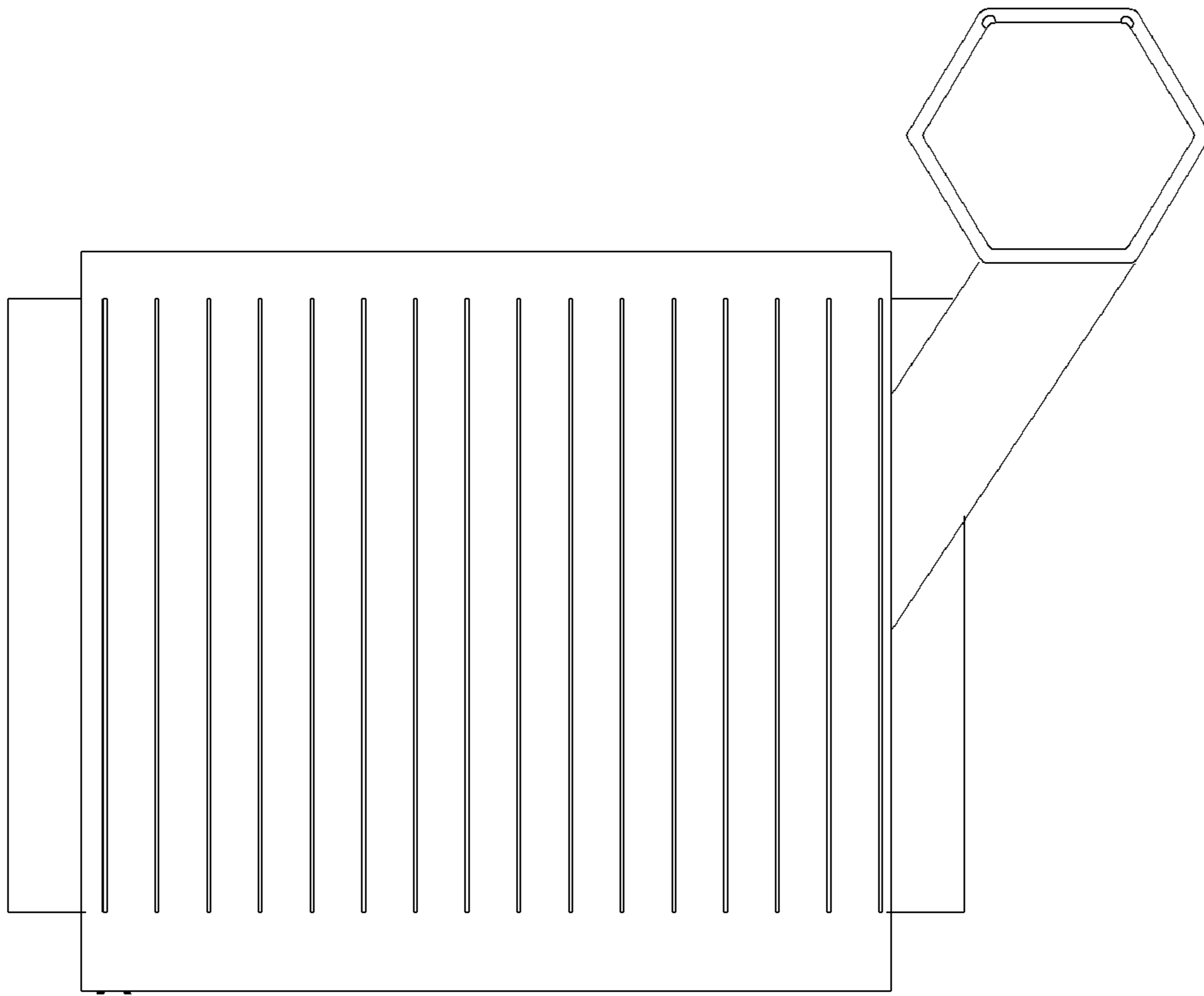


FIG. 2

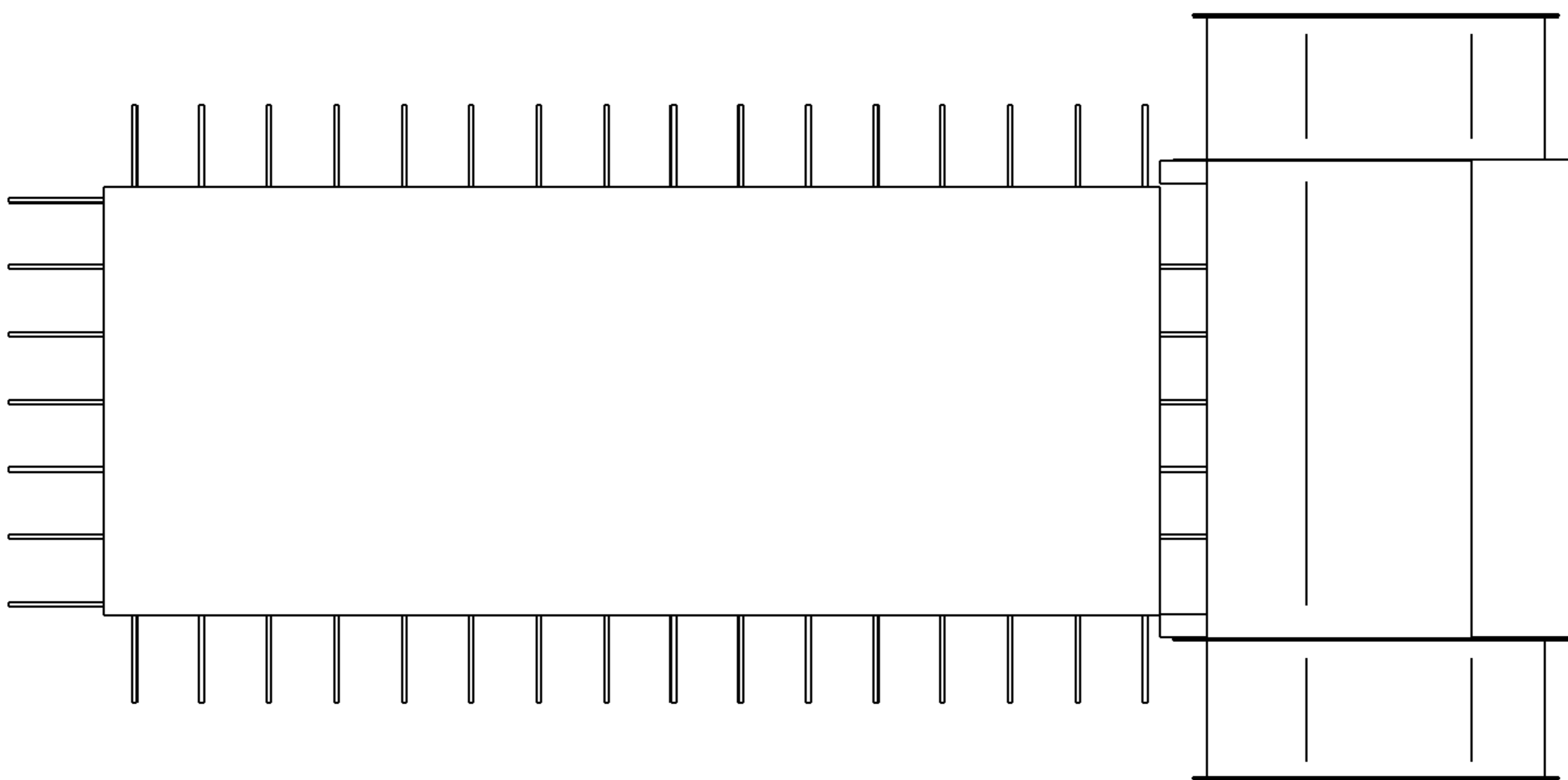


FIG. 3

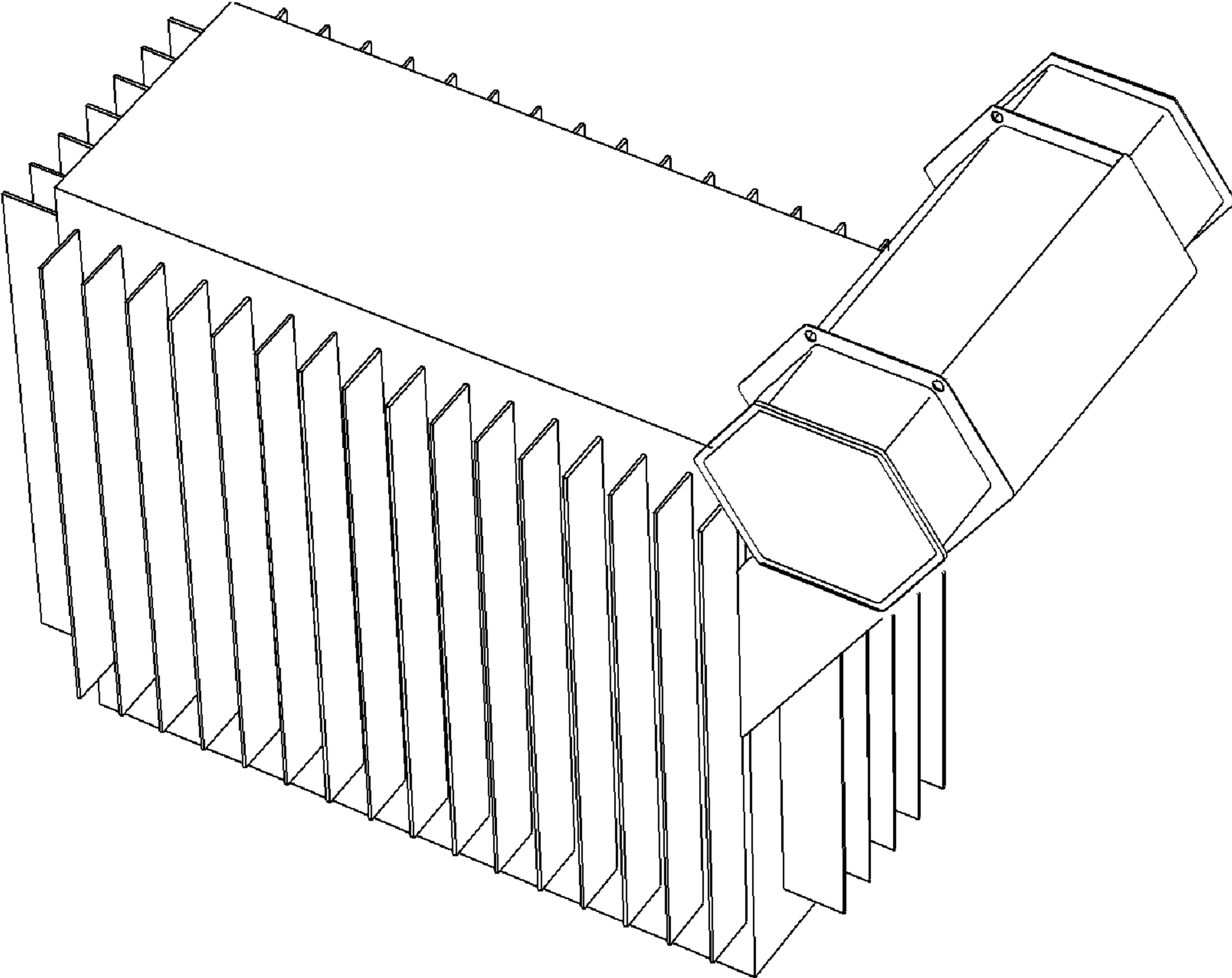


FIG. 4