



US00D547266S

(12) **United States Design Patent**
Wong

(10) **Patent No.:** **US D547,266 S**

(45) **Date of Patent:** **** Jul. 24, 2007**

(54) **POWER ADAPTER**

(75) Inventor: **Michael Pong Kei Wong**, Quarry Bay
(HK)

(73) Assignee: **Combotronic Limited**, Shaukiwan
(HK)

(**) Term: **14 Years**

(21) Appl. No.: **29/239,949**

(22) Filed: **Oct. 6, 2005**

(30) **Foreign Application Priority Data**

Aug. 16, 2005 (HK) 0501896

(51) **LOC (8) Cl.** **13-02**

(52) **U.S. Cl.** **D13/110**

(58) **Field of Classification Search** D13/110,
D13/123, 147, 199; 361/686; 363/146;
439/623, 639, 640

See application file for complete search history.

(56) **References Cited**

U.S. PATENT DOCUMENTS

5,117,479 A * 5/1992 Erdman et al. 385/136
5,547,399 A * 8/1996 Naghi et al. 439/623

D383,115 S * 9/1997 Nagele et al. D13/110
D449,030 S * 10/2001 Baxter et al. D13/110
D453,320 S * 2/2002 Sugino D13/147
D456,008 S * 4/2002 Kawanobe et al. D13/110
D474,739 S * 5/2003 Chang D13/110

* cited by examiner

Primary Examiner—Prabhakar Deshmukh

Assistant Examiner—Derrick Holland

(74) *Attorney, Agent, or Firm*—Alix, Yale & Ristas, LLP

(57) **CLAIM**

The ornamental design for a power adapter, as shown and described.

DESCRIPTION

FIG. 1 is a front end, one side and top perspective view of a power adapter showing my new design;

FIG. 2 is a top plan view thereof;

FIG. 3 is a bottom plan view thereof;

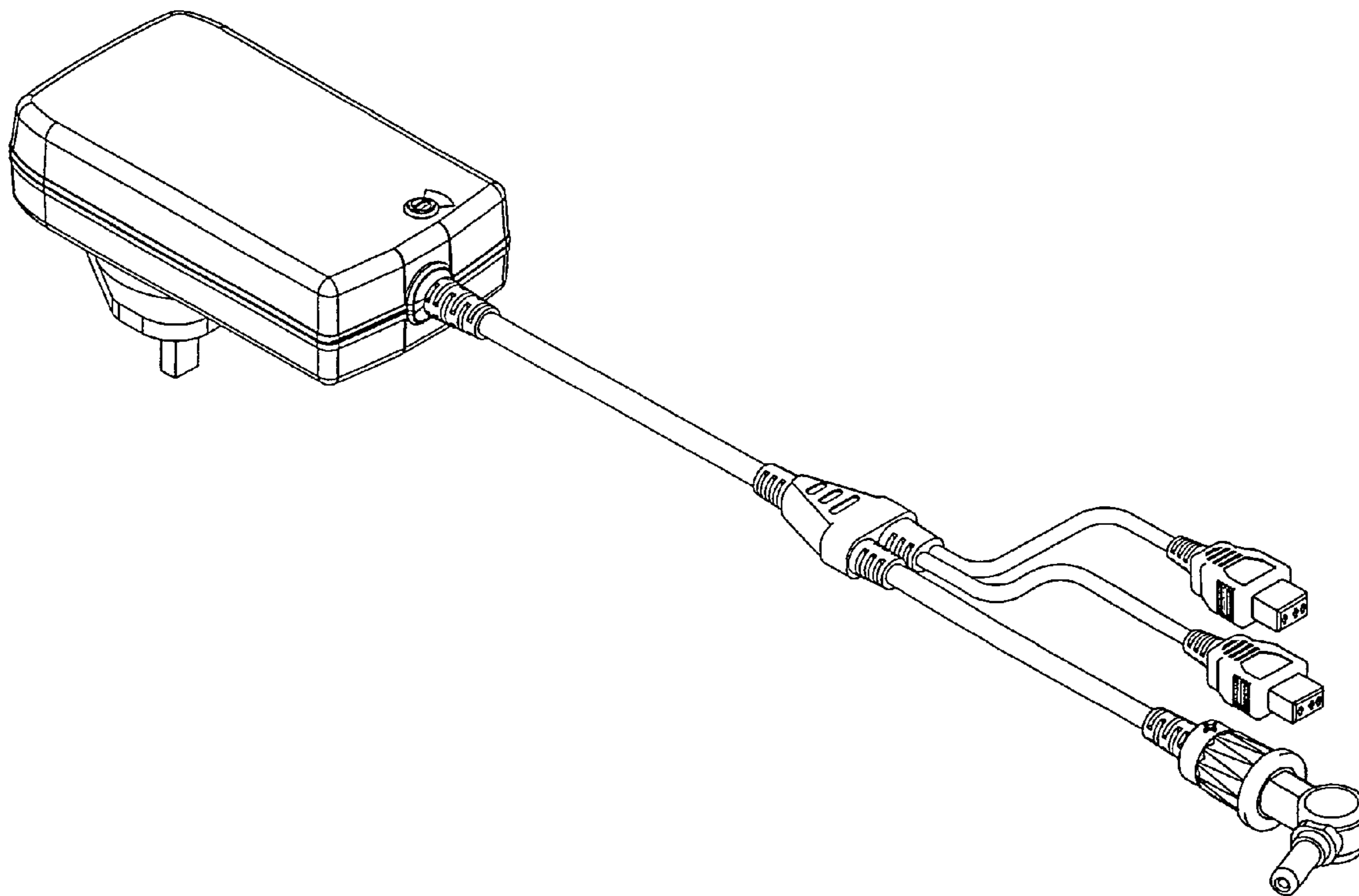
FIG. 4 is a one side elevational view thereof;

FIG. 5 is an opposite side elevational view thereof;

FIG. 6 is a front end elevational view thereof; and,

FIG. 7 is a rear end elevational view thereof.

1 Claim, 4 Drawing Sheets



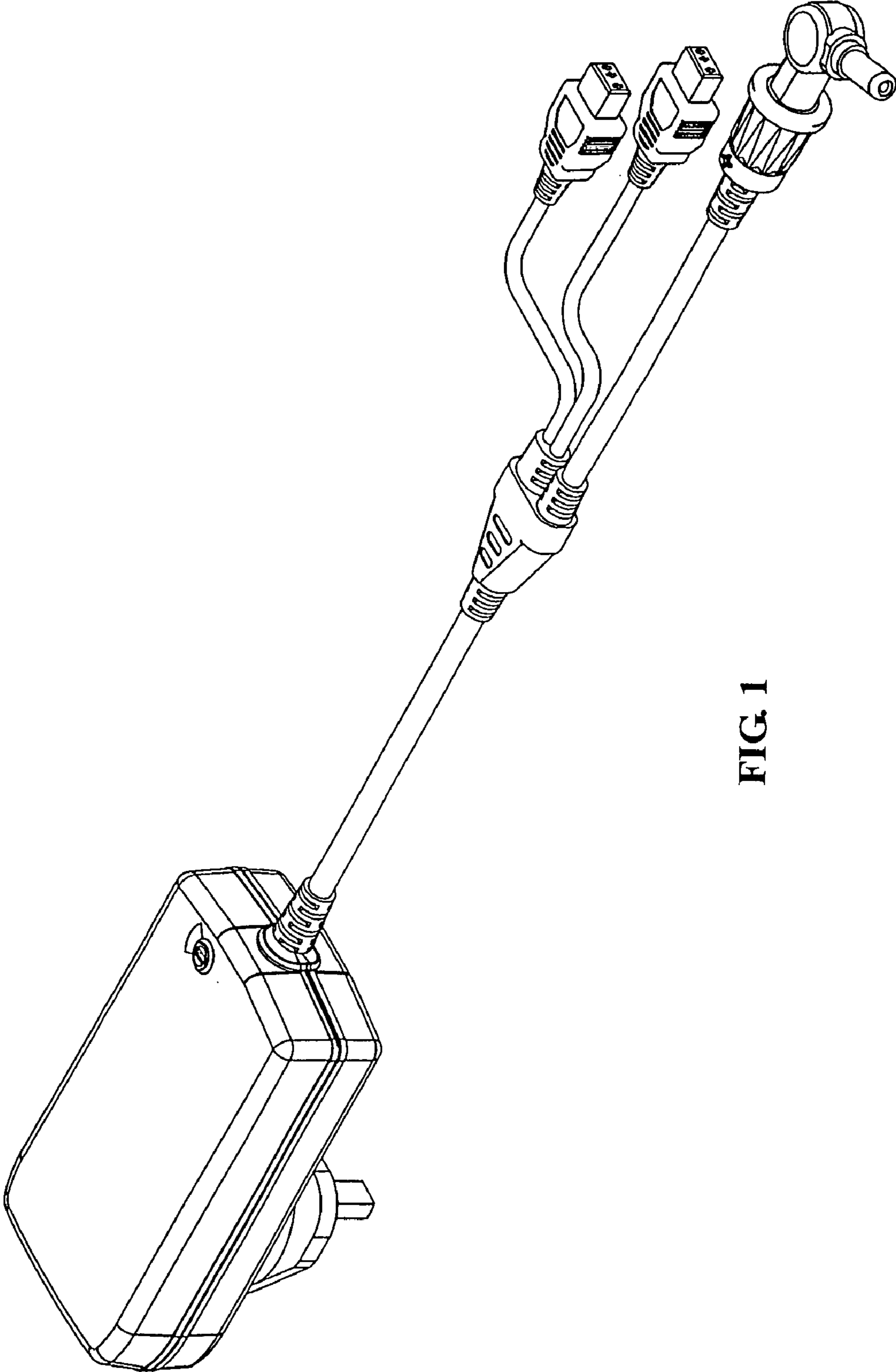


FIG 1

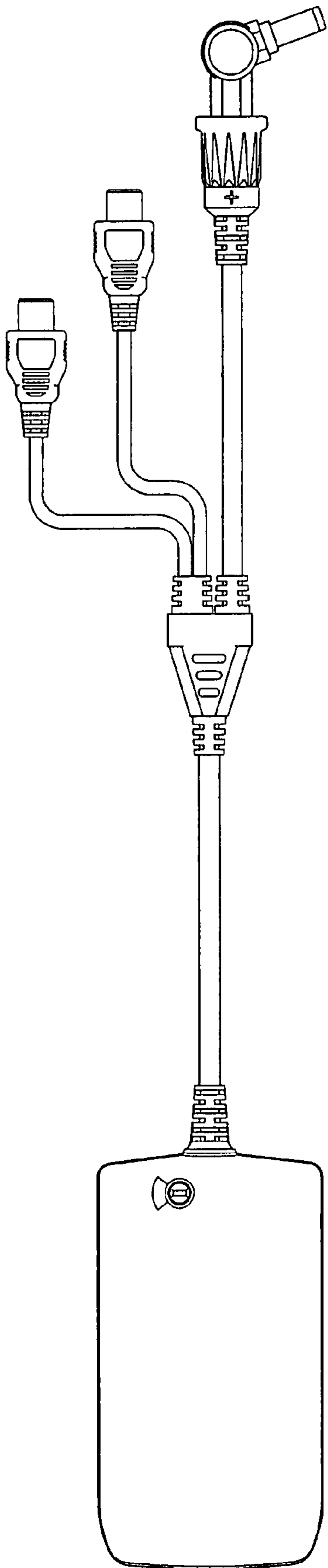


FIG. 2

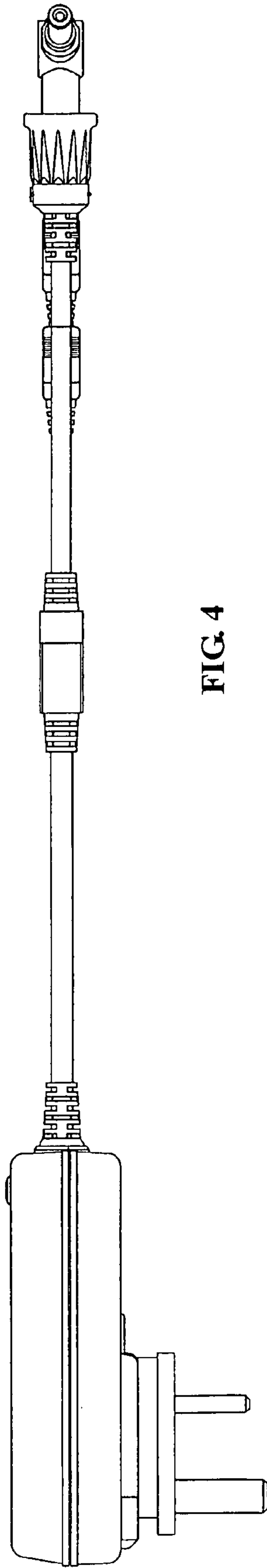


FIG. 4

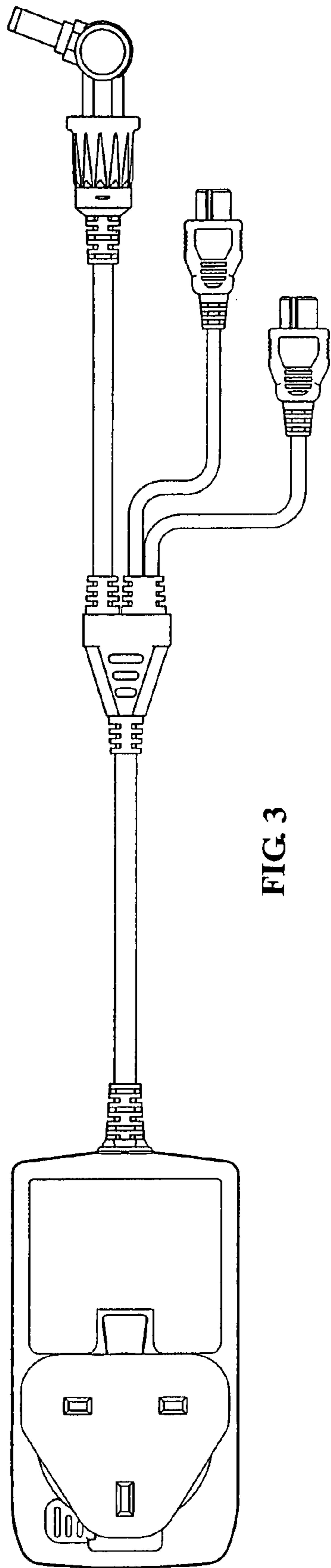


FIG. 3

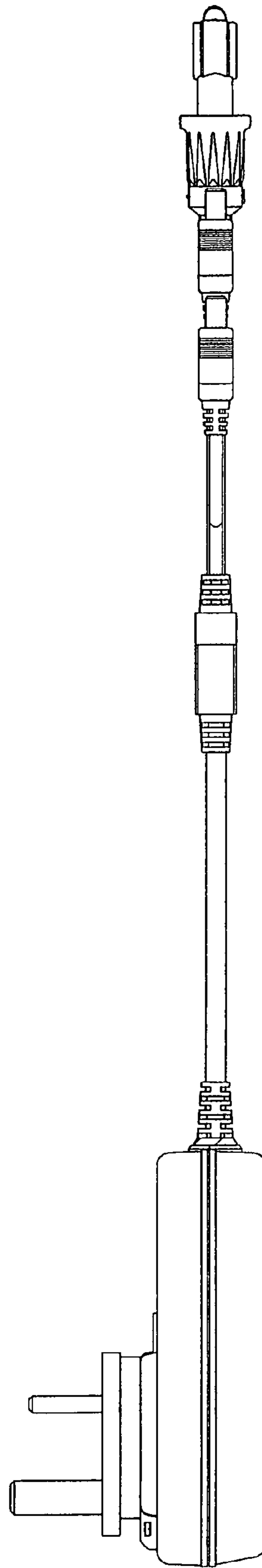


FIG. 5

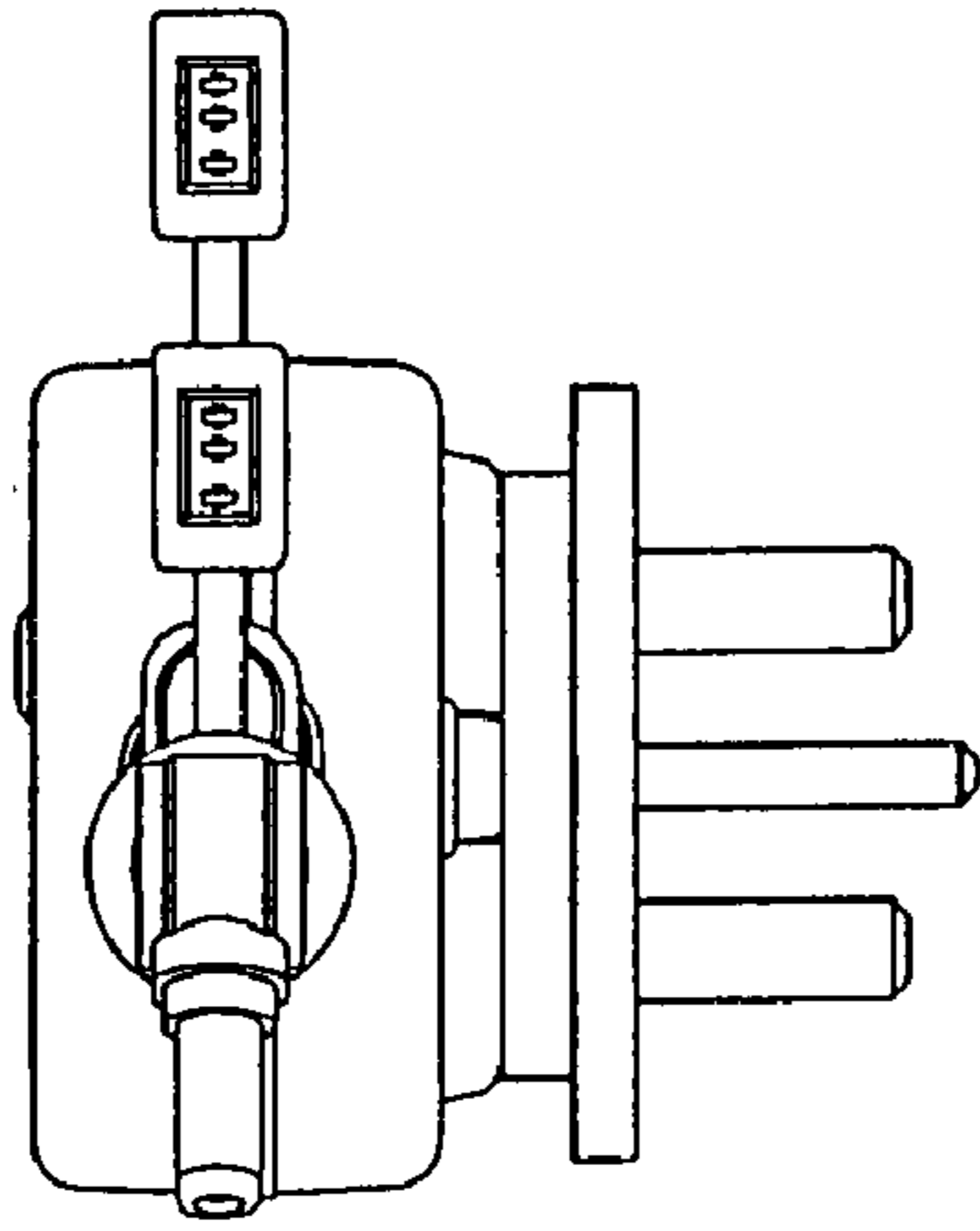


FIG. 6

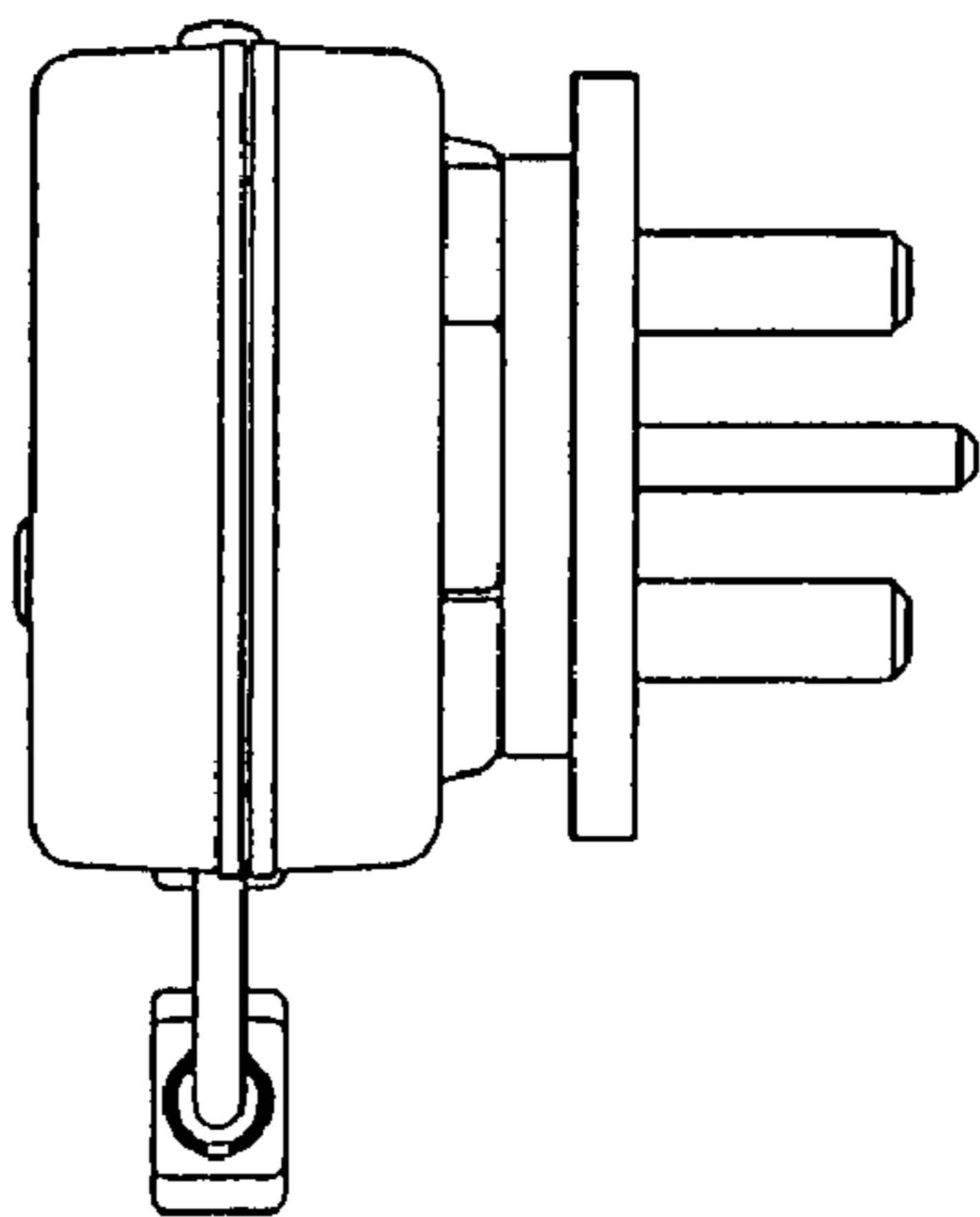


FIG. 7