

US00D547262S

(12) **United States Design Patent**
Ullman

(10) **Patent No.:** **US D547,262 S**

(45) **Date of Patent:** **** Jul. 24, 2007**

(54) **SOLAR PANEL FIXED ANGLE RACK**

D455,336 S * 4/2002 Anderson D8/377
6,365,824 B1 * 4/2002 Nakazima et al. 136/251
D472,456 S * 4/2003 Snyder D8/394

(76) Inventor: **Stanley A. Ullman**, 2887 N. Redondo Ave., Camarillo, CA (US) 93012

(**) Term: **14 Years**

* cited by examiner

(21) Appl. No.: **29/246,469**

Primary Examiner—Prabhakar Deshmukh

Assistant Examiner—Derrick Holland

(22) Filed: **Apr. 15, 2006**

(74) *Attorney, Agent, or Firm*—Ralph D. Chabot

(51) **LOC (8) Cl.** **13-02**

(52) **U.S. Cl.** **D13/102**

(58) **Field of Classification Search** D13/102,
D13/184, 199; D6/512, 519, 540, 574; D8/380,
D8/381; D12/223; D22/110; 126/450,
126/621–623; 136/251

See application file for complete search history.

(57) **CLAIM**

The ornamental design for a solar panel fixed angle rack, as shown and described.

(56) **References Cited**

U.S. PATENT DOCUMENTS

4,204,523 A * 5/1980 Rothe 126/623
4,636,577 A * 1/1987 Peterpaul 136/206
D322,376 S * 12/1991 Simpson D6/528
5,373,839 A * 12/1994 Hoang 126/621
D360,250 S * 7/1995 Coste D22/110
D380,442 S * 7/1997 Fukuhara et al. D13/102
5,768,831 A * 6/1998 Melchior 52/173.3

DESCRIPTION

FIG. 1 is a top, front, left side perspective view of a solar panel fixed angle rack showing my new design;

FIG. 2 is a right side elevation view, the left side elevation view being a mirror image;

FIG. 3 is a front elevation view;

FIG. 4 is a top plan view;

FIG. 5 is a rear elevation view; and,

FIG. 6 is a bottom plan view.

1 Claim, 2 Drawing Sheets

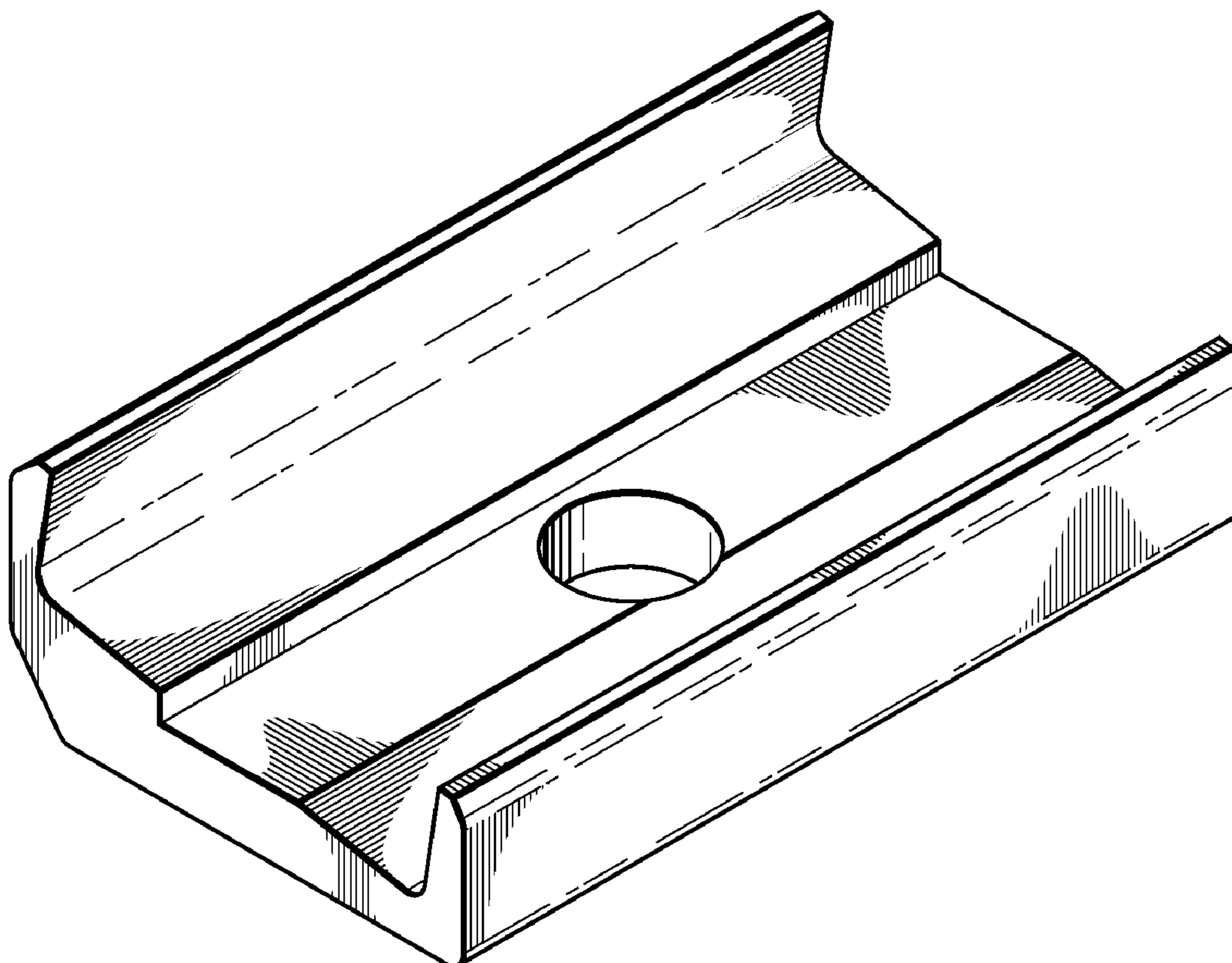


FIG. 1

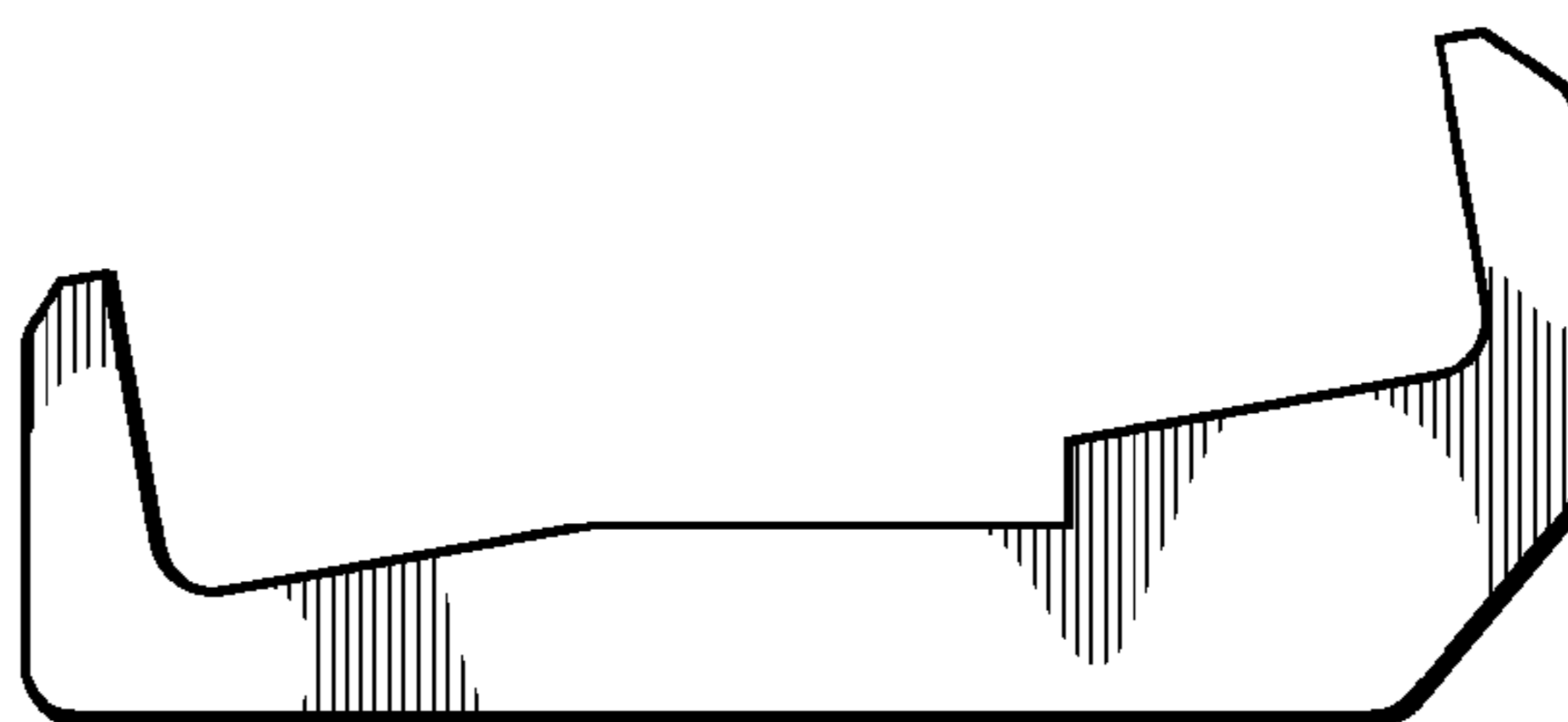
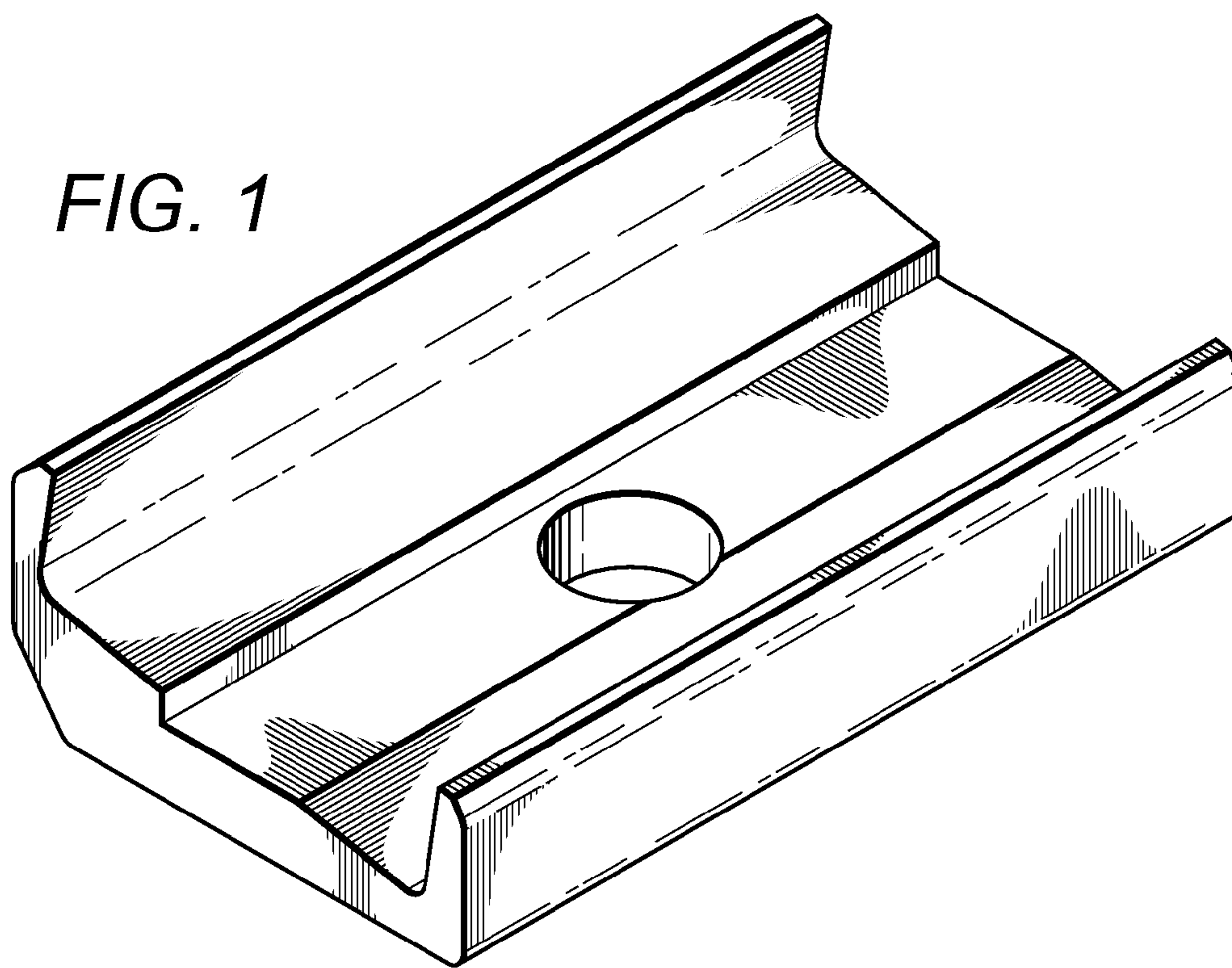
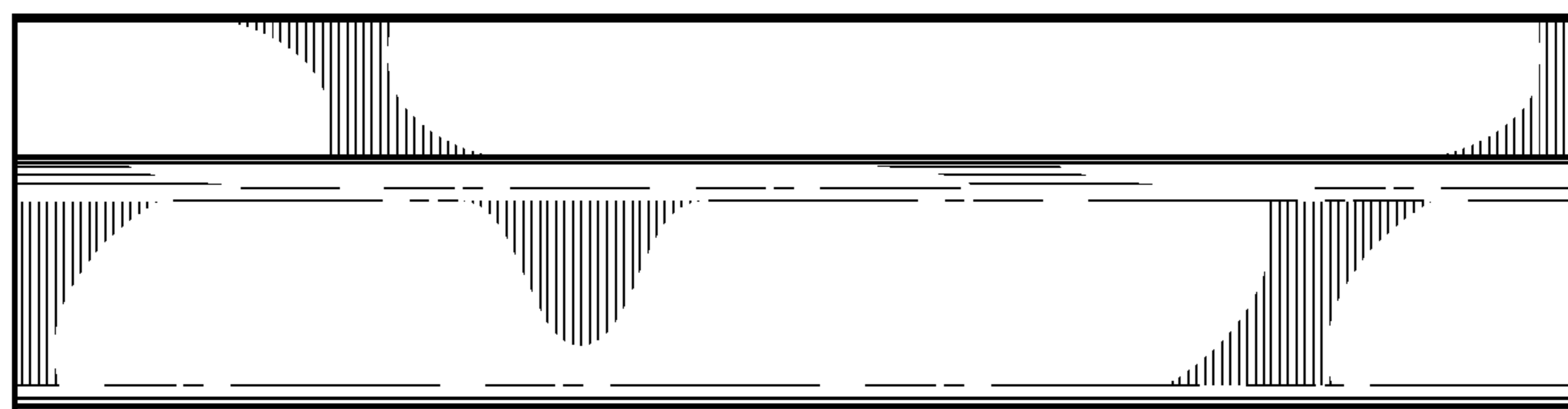


FIG. 2

FIG. 3



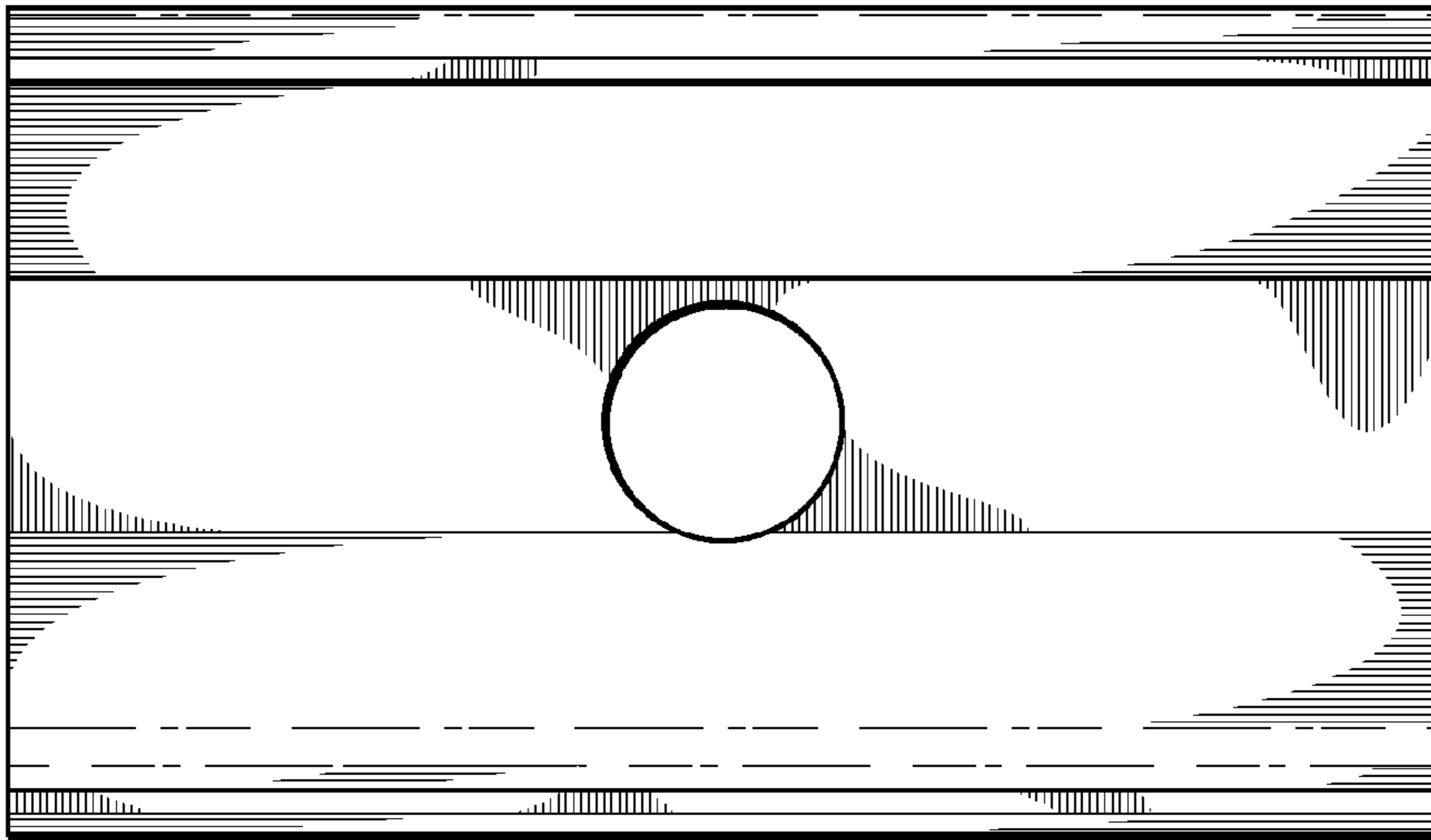


FIG. 4

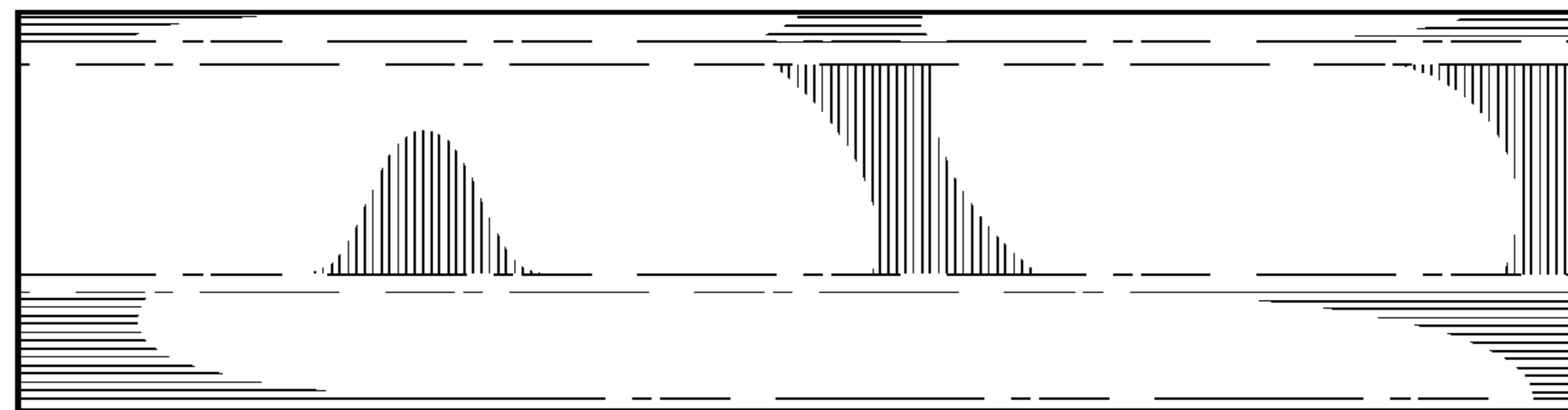


FIG. 5

FIG. 6

