

US00D547257S

(12) **United States Design Patent** (10) **Patent No.:** **US D547,257 S**
Bae (45) **Date of Patent:** **** Jul. 24, 2007**

(54) **COVER FOR FREIGHT VEHICLE**
(76) Inventor: **Kwon-II Bae**, 127-1302, LG Metrocity
APT, Yongho, 1-Dong, Nam-Gu, Busan
(KR)

(**) Term: **14 Years**

(21) Appl. No.: **29/194,863**

(22) Filed: **Dec. 1, 2003**

(51) **LOC (8) Cl.** **12-16**

(52) **U.S. Cl.** **D12/401**

(58) **Field of Classification Search** D12/195,
D12/40, 400, 406-408, 412-414, 155-156;
D25/26; 410/106, 108; 224/314, 320-325;
296/98, 161

See application file for complete search history.

(56) **References Cited**

U.S. PATENT DOCUMENTS

2,846,262	A *	8/1958	Ray	296/161
D194,908	S *	4/1963	Dombrosky	D12/412
D237,376	S *	10/1975	Barrett et al.	D12/412
4,050,734	A *	9/1977	Richard	296/98
4,057,281	A *	11/1977	Garrett	296/3
4,278,175	A *	7/1981	Jackson	224/561
4,284,303	A *	8/1981	Hather	296/100.17
D260,632	S *	9/1981	Noga	D12/412
D264,203	S *	5/1982	Bott	D12/412
D300,018	S *	2/1989	Bott	D12/412
D300,813	S *	4/1989	Kamaya	D12/412
D305,111	S *	12/1989	Zagner	D12/412
D306,003	S *	2/1990	Berkan, Jr.	D12/414
D350,724	S *	9/1994	Lichtbach	D12/412
D362,654	S *	9/1995	Keith	D12/406
D406,557	S *	3/1999	Bentley	D12/412
D410,888	S *	6/1999	Lloyd	D12/218

D435,510	S *	12/2000	Quidort	D12/412
D470,451	S *	2/2003	Bushart et al.	D12/412
D496,323	S *	9/2004	Buseman et al.	D12/412
6,893,071	B2 *	5/2005	Chabot	296/98
D520,938	S *	5/2006	Badillo	D12/412
2004/0135392	A1 *	7/2004	Chabot	296/98

* cited by examiner

Primary Examiner—Caron D. Veynar

Assistant Examiner—Kelley A. Donnelly

(74) *Attorney, Agent, or Firm*—Tuchman & Park LLC

(57) **CLAIM**

The ornamental design for cover for freight vehicle, as shown and described.

DESCRIPTION

FIG. 1 is a front perspective view of a cover for freight vehicle in accordance with the new design;

FIG. 2 is a front view thereof;

FIG. 3 is a rear view thereof;

FIG. 4 is a side view thereof;

FIG. 5 is a top view thereof;

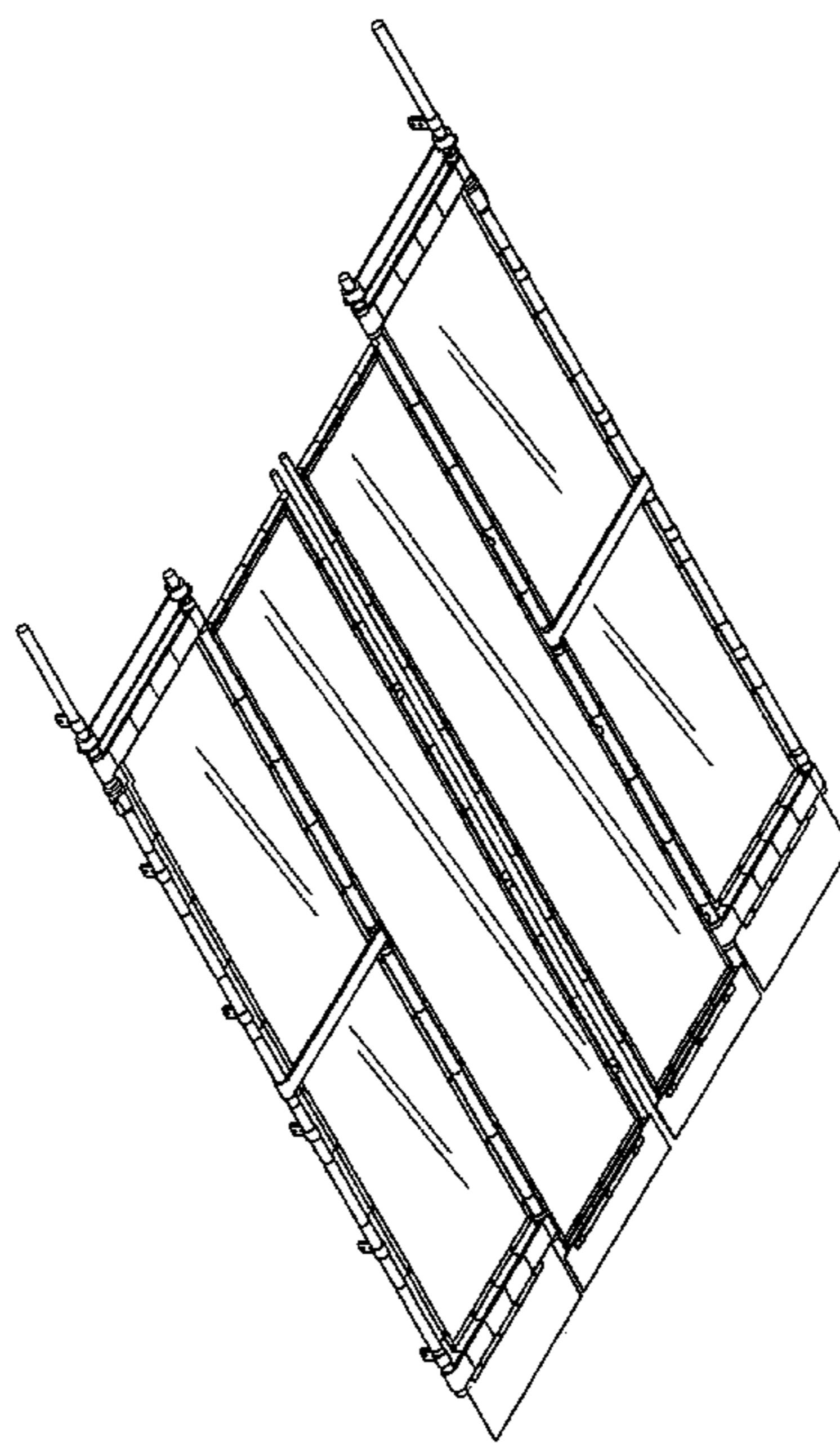
FIG. 6 is a bottom view thereof;

FIG. 7 is a perspective view of FIG. 1, illustrating use of the cover applied on top of a truck in an unfolded state; and,

FIG. 8 is a rear view illustrating folding operation of the cover, from an unfolded state (in solid lines) to a partially folded state (in phantom lines on two lateral, upper sides) and a fully folded state (in phantom lines, on two lateral lower sides).

It is noted that phantom lines shown in FIGS. 7 and 8 are not part of claim.

1 Claim, 8 Drawing Sheets



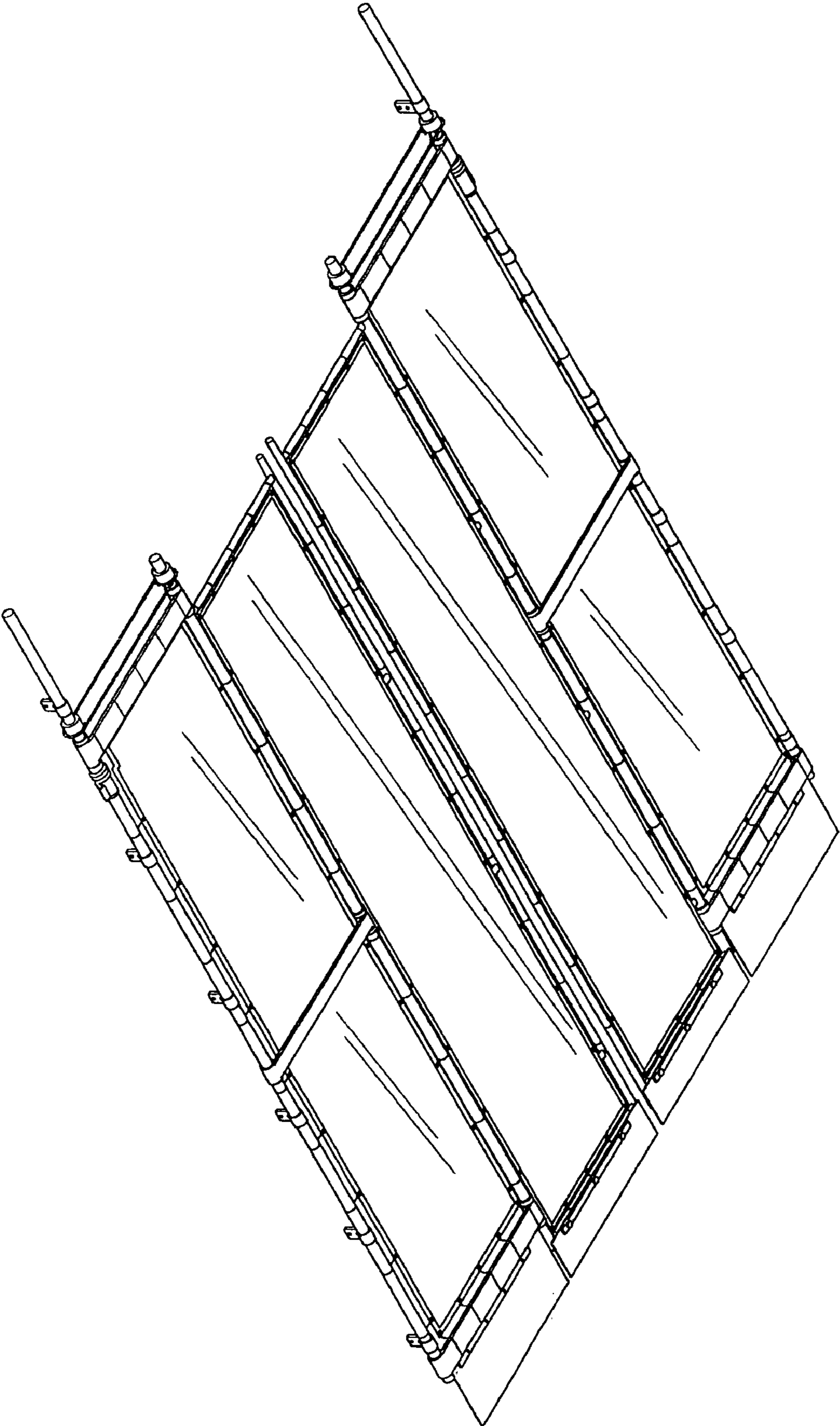


FIG. 1

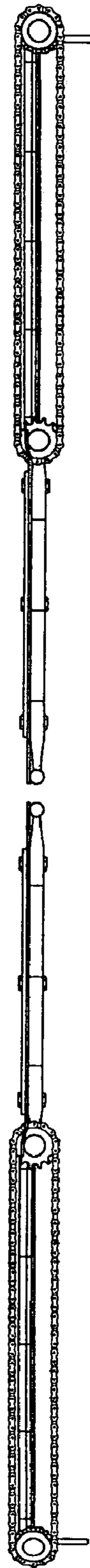


FIG. 2

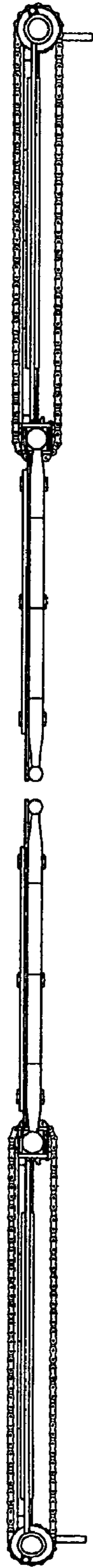


FIG. 3

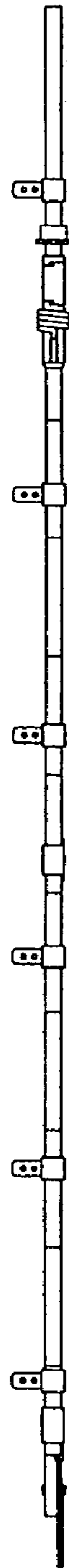


FIG. 4

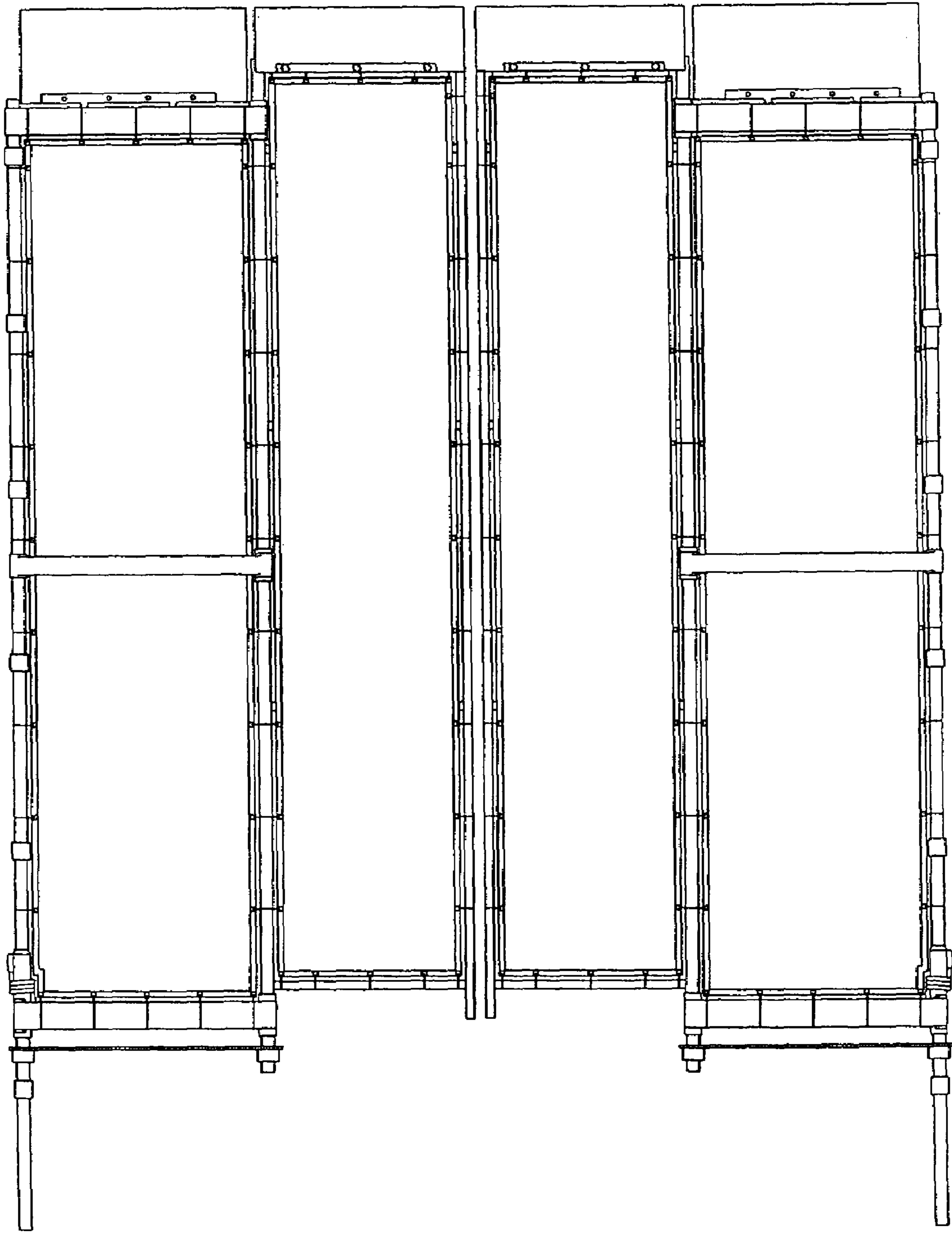


FIG. 5

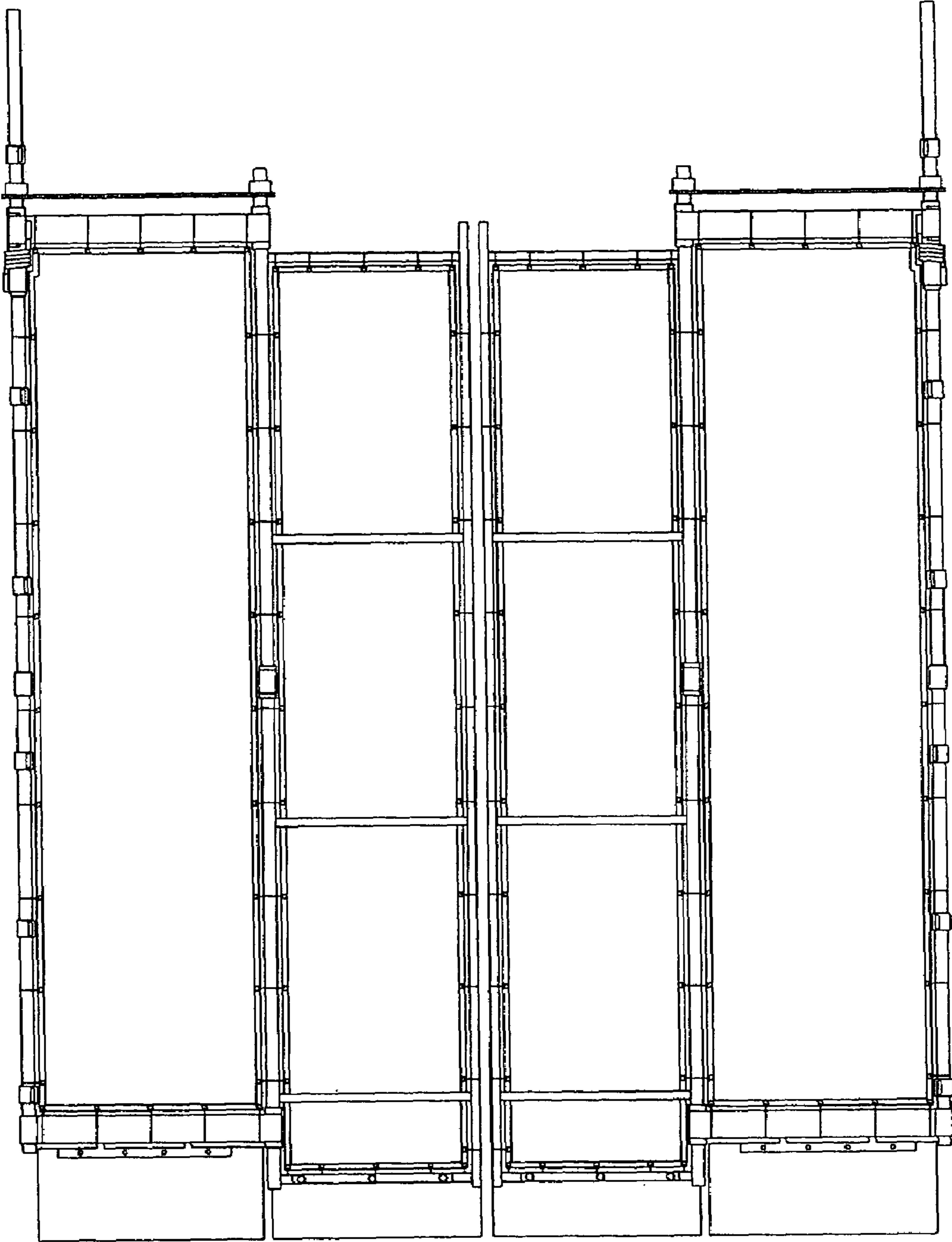


FIG. 6

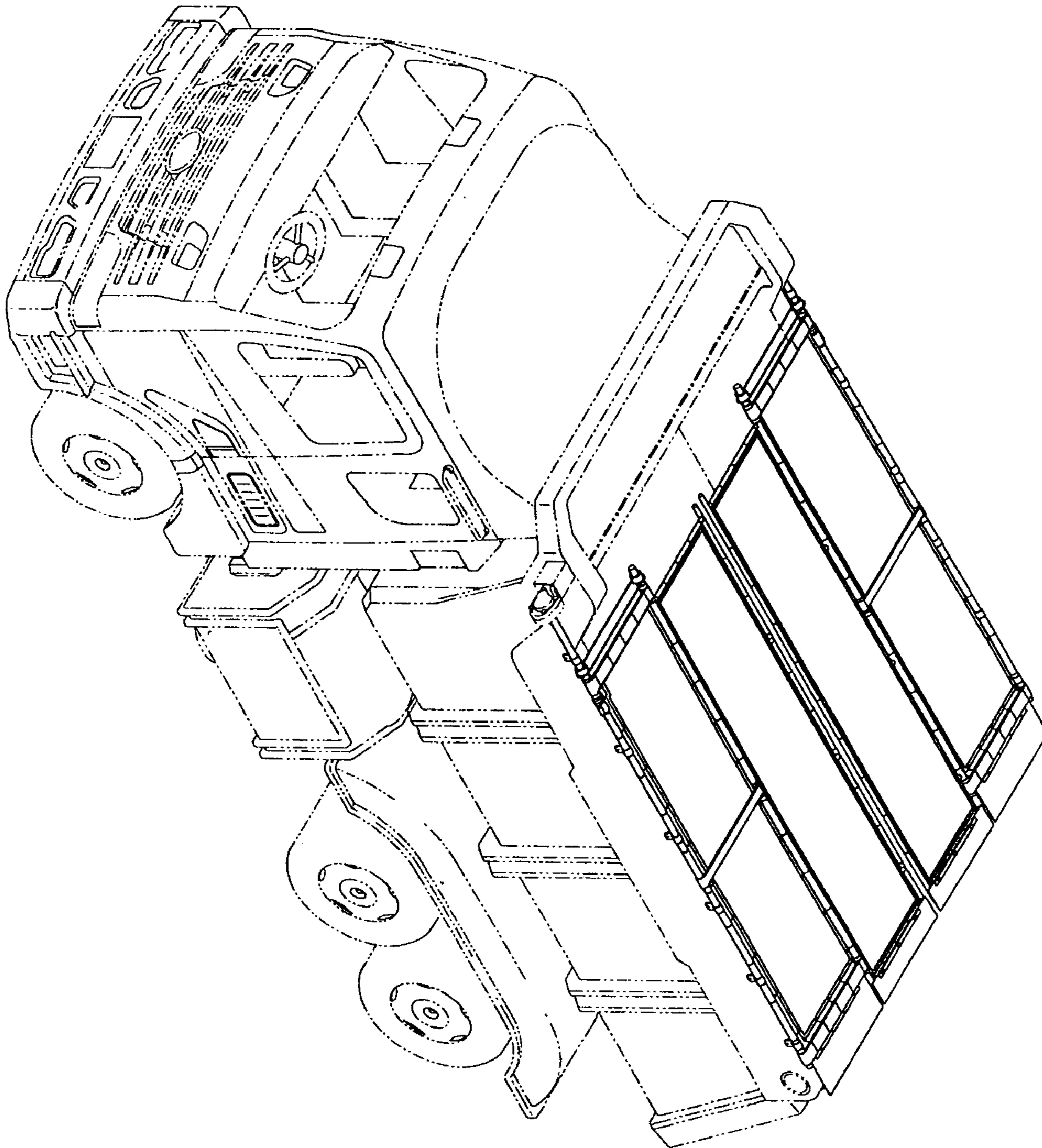


FIG. 7

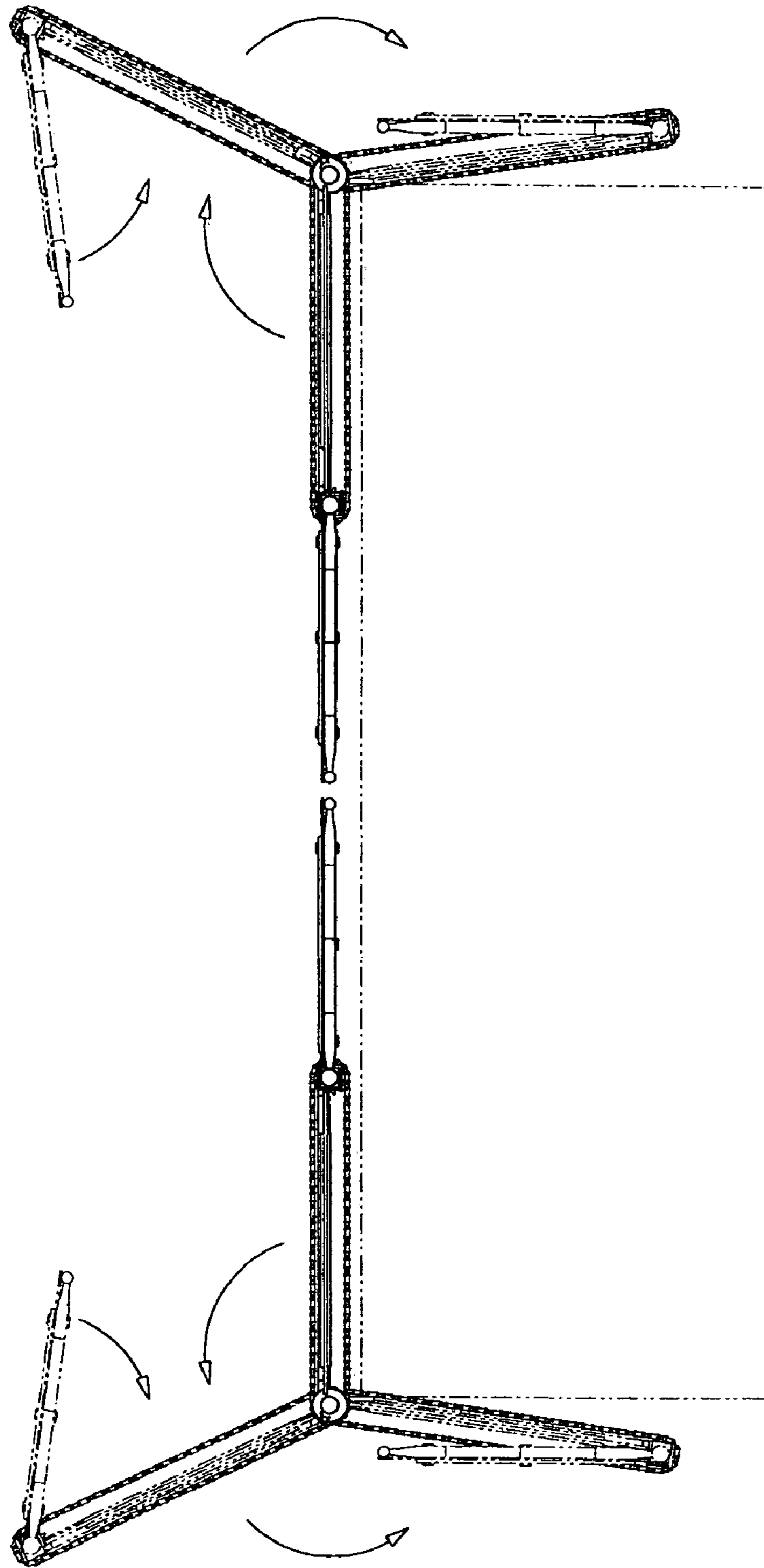


FIG. 8