

US00D547256S

(12) **United States Design Patent**
Kalil

(10) **Patent No.:** **US D547,256 S**
(45) **Date of Patent:** **** Jul. 24, 2007**

(54) **SWIM PLATFORM FOR A WATERCRAFT**

(76) Inventor: **Anthony Kalil**, 408 W. University Ave.,
9C, Gainesville, FL (US) 32061

(**) Term: **14 Years**

(21) Appl. No.: **29/235,548**

(22) Filed: **Aug. 3, 2005**

(51) **LOC (8) Cl.** **12-06**

(52) **U.S. Cl.** **D12/317**

(58) **Field of Classification Search** D12/300,
D12/303, 304, 307, 315, 316, 317, 318; 114/343,
114/362

See application file for complete search history.

(56) **References Cited**

U.S. PATENT DOCUMENTS

D253,999	S	*	1/1980	Richards et al.	D12/317
4,548,155	A	*	10/1985	Hegg et al.	114/362
4,669,414	A	*	6/1987	Molino	114/343
4,744,778	A	*	5/1988	Porter	440/89 R
D300,021	S	*	2/1989	Riley	D12/318
D306,007	S	*	2/1990	DePrey et al.	D12/318
D349,090	S	*	7/1994	Wenstadt	D12/318
D356,289	S	*	3/1995	Trent	D12/318

* cited by examiner

Primary Examiner—Holly H. Baynham

Assistant Examiner—Cynthia Chin

(74) *Attorney, Agent, or Firm*—Baker & Daniels LLP

(57) **CLAIM**

We claim the ornamental design for the swim platform for a watercraft, as shown and described.

DESCRIPTION

FIG. 1 is a rear perspective view of a swim platform for a watercraft of the present invention;

FIG. 2 is a side elevational view of the swim platform for a watercraft of FIG. 1;

FIG. 3 is a lower elevational view of the swim platform for a watercraft of FIG. 1;

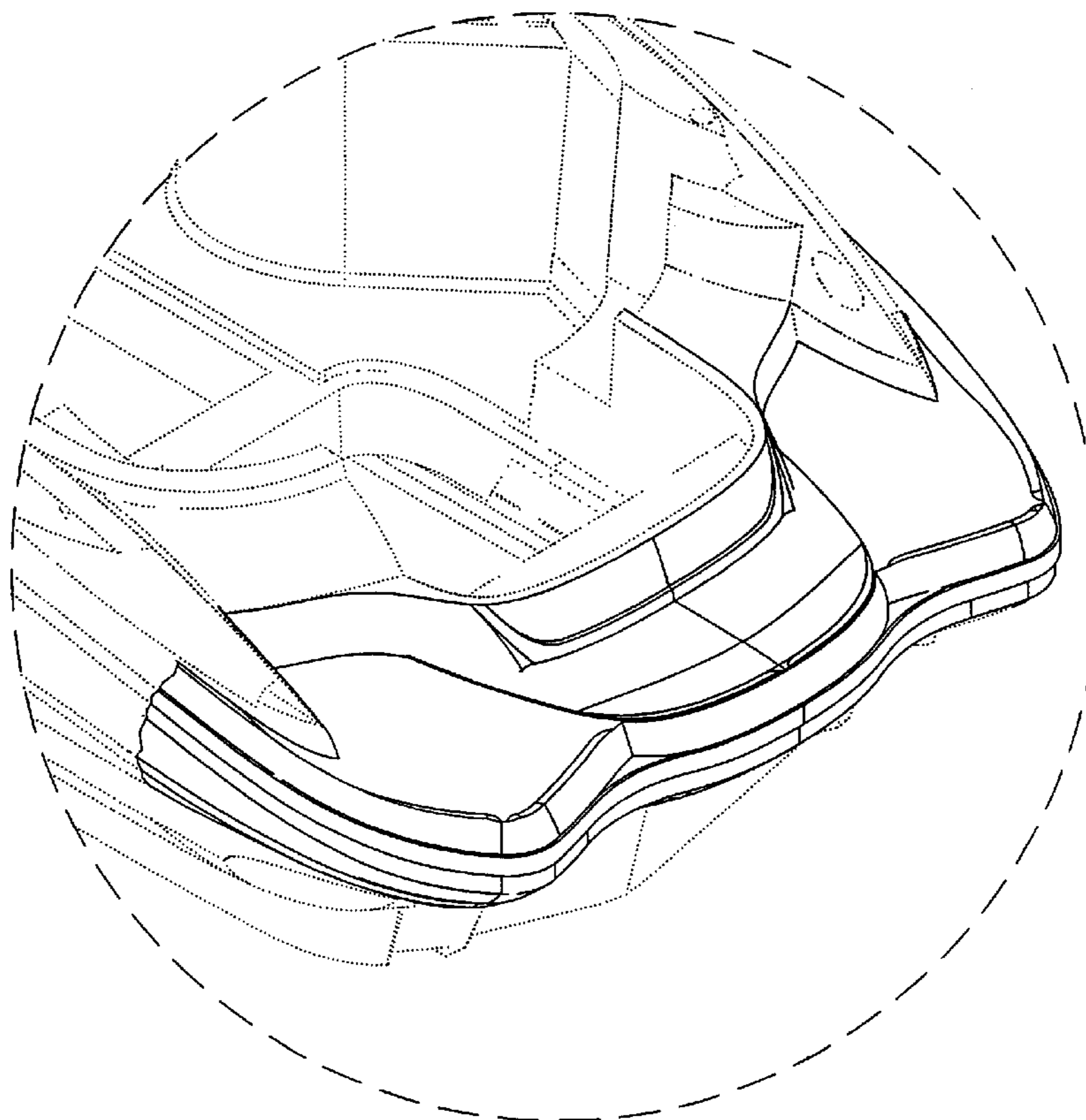
FIG. 4 is a top plan view of the swim platform for a watercraft of FIG. 1;

FIG. 5 is a rear elevational view of the swim platform for a watercraft of FIG. 1; and,

FIG. 6 is an enlarged perspective view of the swim platform for a watercraft of FIG. 1.

The broken lines are for illustrative purposes only and form no part of the claimed design.

1 Claim, 6 Drawing Sheets



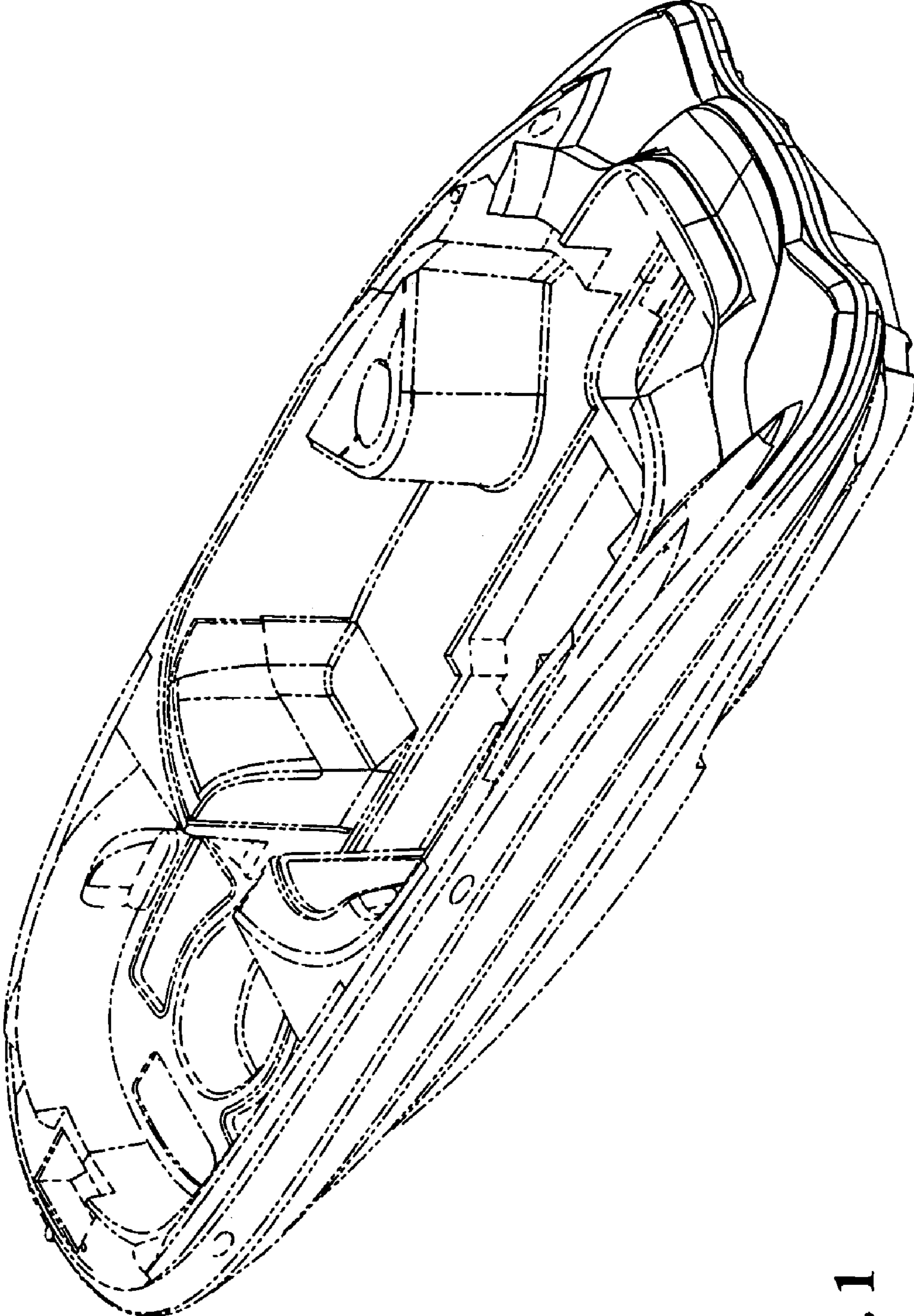


FIG. 1

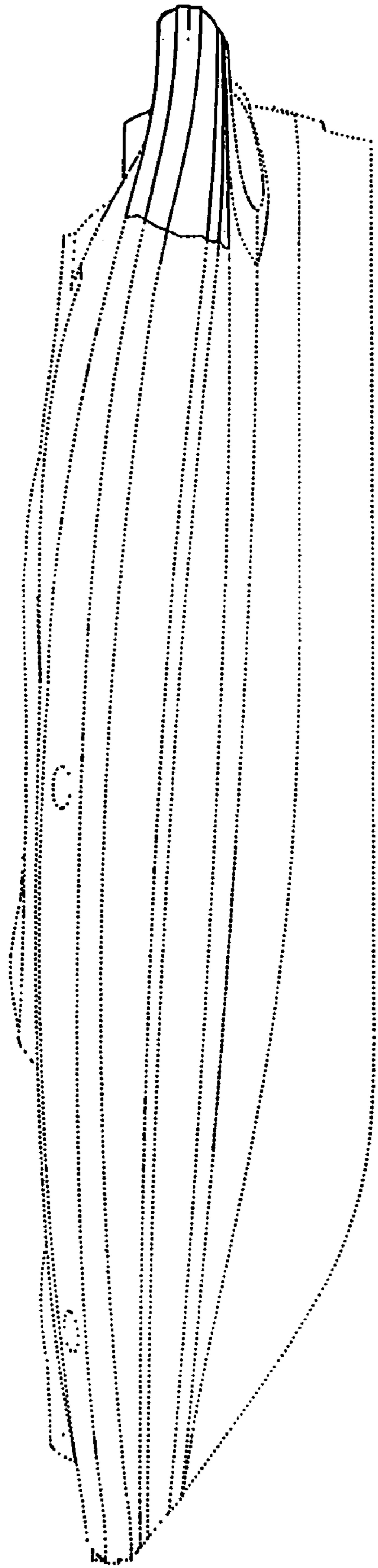


FIG. 2

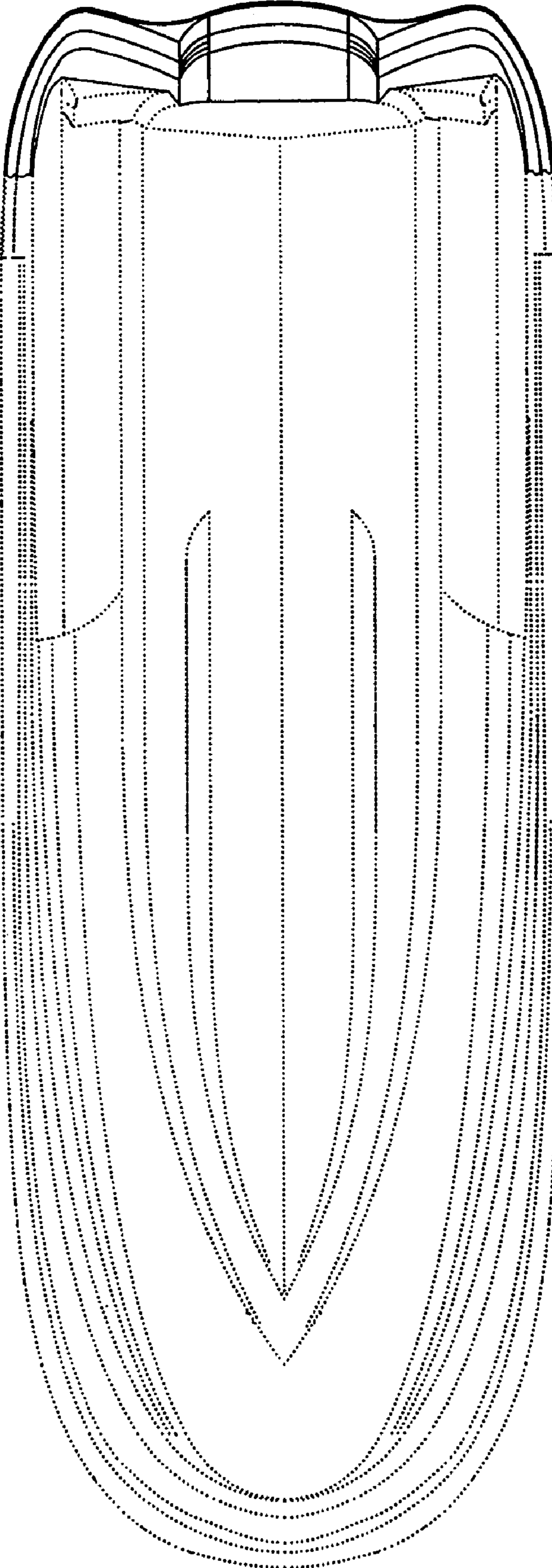


FIG. 3

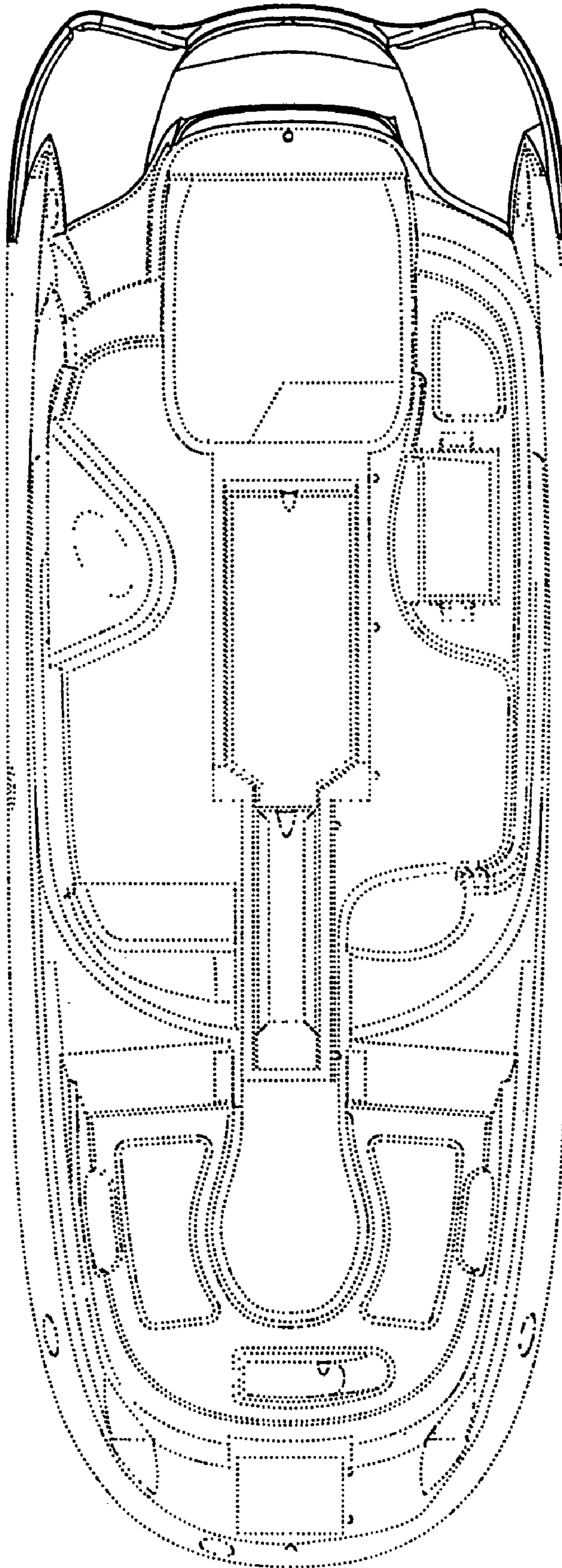


FIG. 4

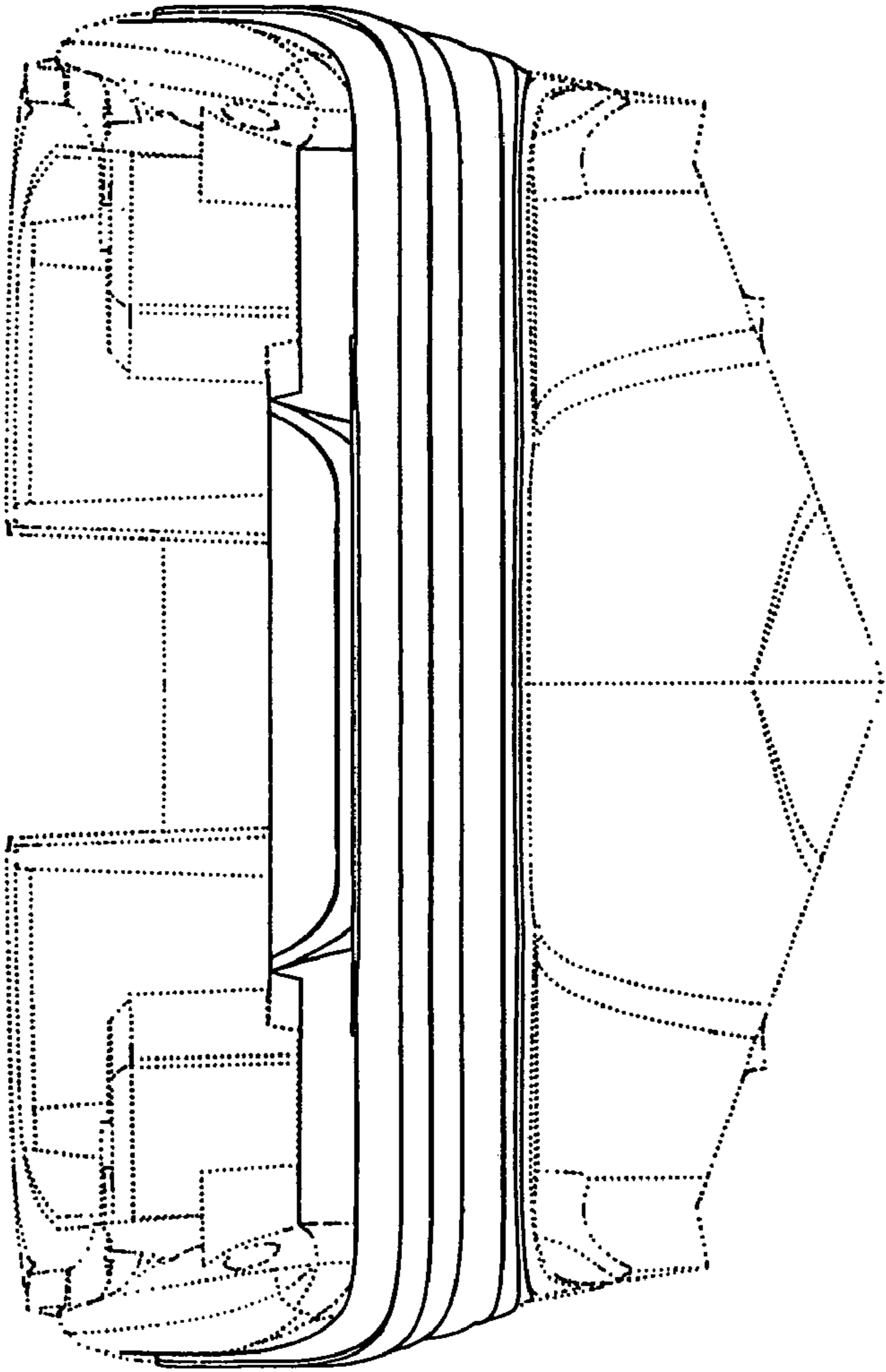


FIG. 5

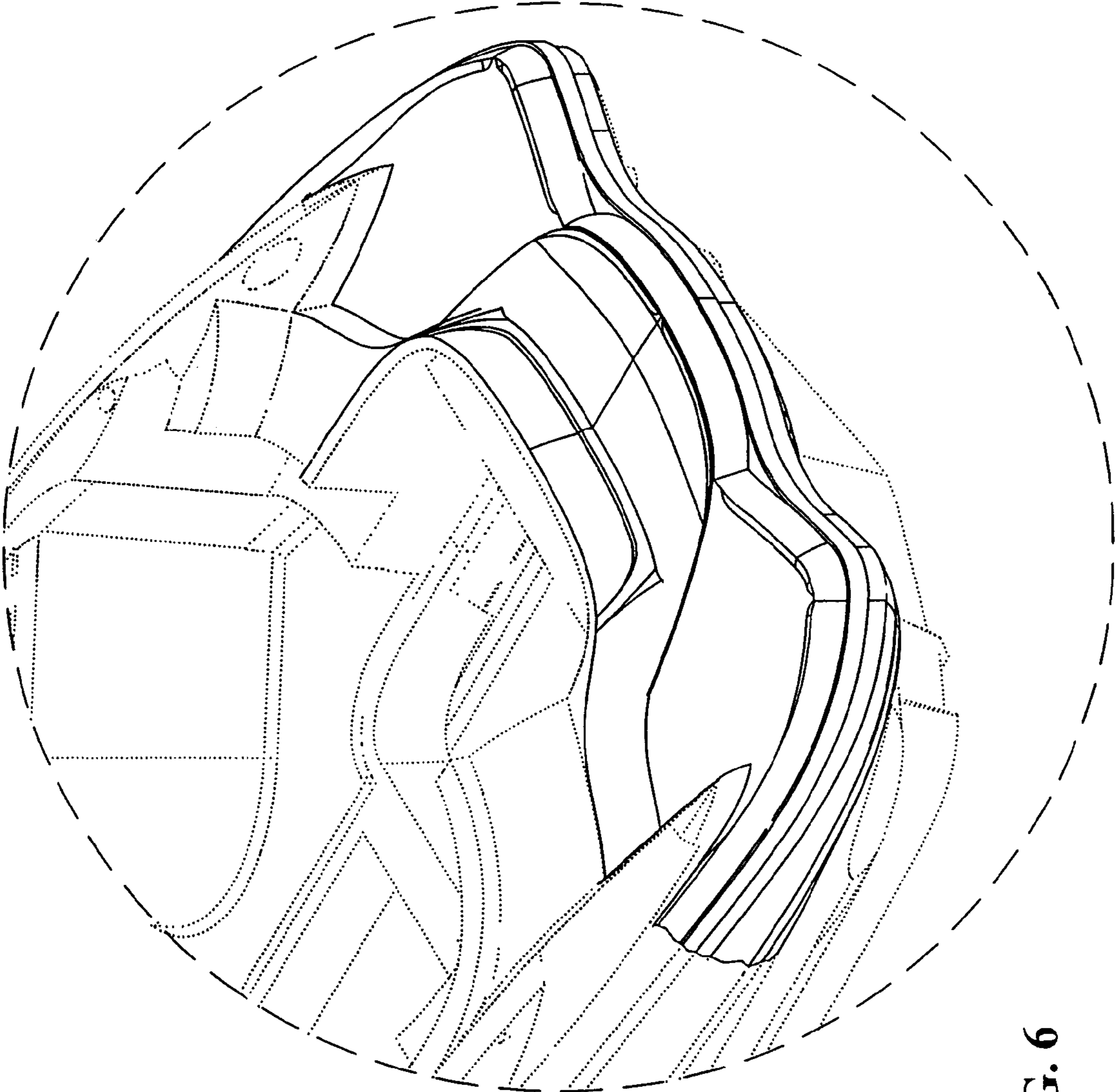


FIG. 6