



US00D547251S

(12) **United States Design Patent**
Baum

(10) **Patent No.:** **US D547,251 S**

(45) **Date of Patent:** **** Jul. 24, 2007**

(54) **FRONT FACE OF A VEHICLE WHEEL**

(75) **Inventor:** **Stephan Baum**, Olching (DE)

(73) **Assignee:** **Bayerische Motoren Werke Aktiengesellschaft**, Munich (DE)

(**) **Term:** **14 Years**

(21) **Appl. No.:** **29/268,408**

(22) **Filed:** **Nov. 7, 2006**

(30) **Foreign Application Priority Data**

May 8, 2006 (DE) 4 06 02 604

(51) **LOC (8) Cl.** **12-16**

(52) **U.S. Cl.** **D12/209**

(58) **Field of Classification Search** D12/204-213;
301/37.101, 64.101, 65

See application file for complete search history.

(56) **References Cited**

U.S. PATENT DOCUMENTS

- D410,617 S * 6/1999 Hussaini et al. D12/209
- D417,646 S * 12/1999 Baumgartner D12/211
- D427,558 S * 7/2000 Neeper D12/211
- D432,974 S * 10/2000 Jablonski D12/211

- D457,478 S * 5/2002 Minamisawa D12/211
- D461,441 S * 8/2002 Hartanto D12/211
- D485,524 S * 1/2004 Bhambra D12/209
- D487,881 S * 3/2004 Laengerer D12/209
- D502,677 S * 3/2005 Baum D12/209
- D504,097 S * 4/2005 Markefka D12/209
- D523,797 S * 6/2006 Gallert D12/209
- D524,213 S * 7/2006 Szavits D12/209
- D528,061 S * 9/2006 Saridakis et al. D12/211
- D528,063 S * 9/2006 Schell D12/211

* cited by examiner

Primary Examiner—Stacia Cadmus

(74) *Attorney, Agent, or Firm*—Crowell & Moring LLP

(57) **CLAIM**

The ornamental design for a front face of a vehicle wheel, as shown and described.

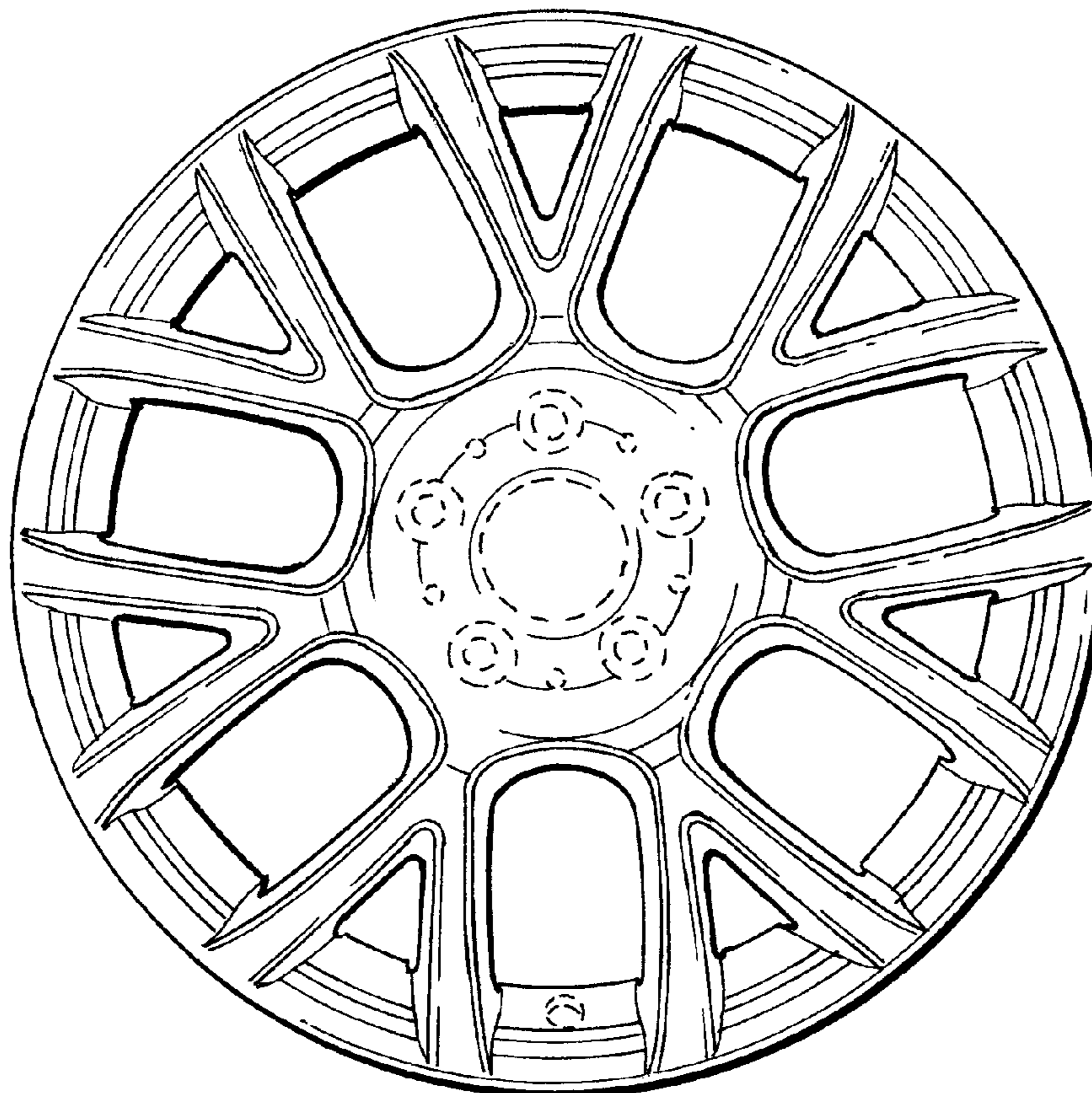
DESCRIPTION

FIG. 1 is a front view of a front face of a vehicle wheel according to my novel design; and,

FIG. 2 is a perspective view thereof.

The broken lines are for illustrative purposes only and form no part of the claimed design.

1 Claim, 1 Drawing Sheet



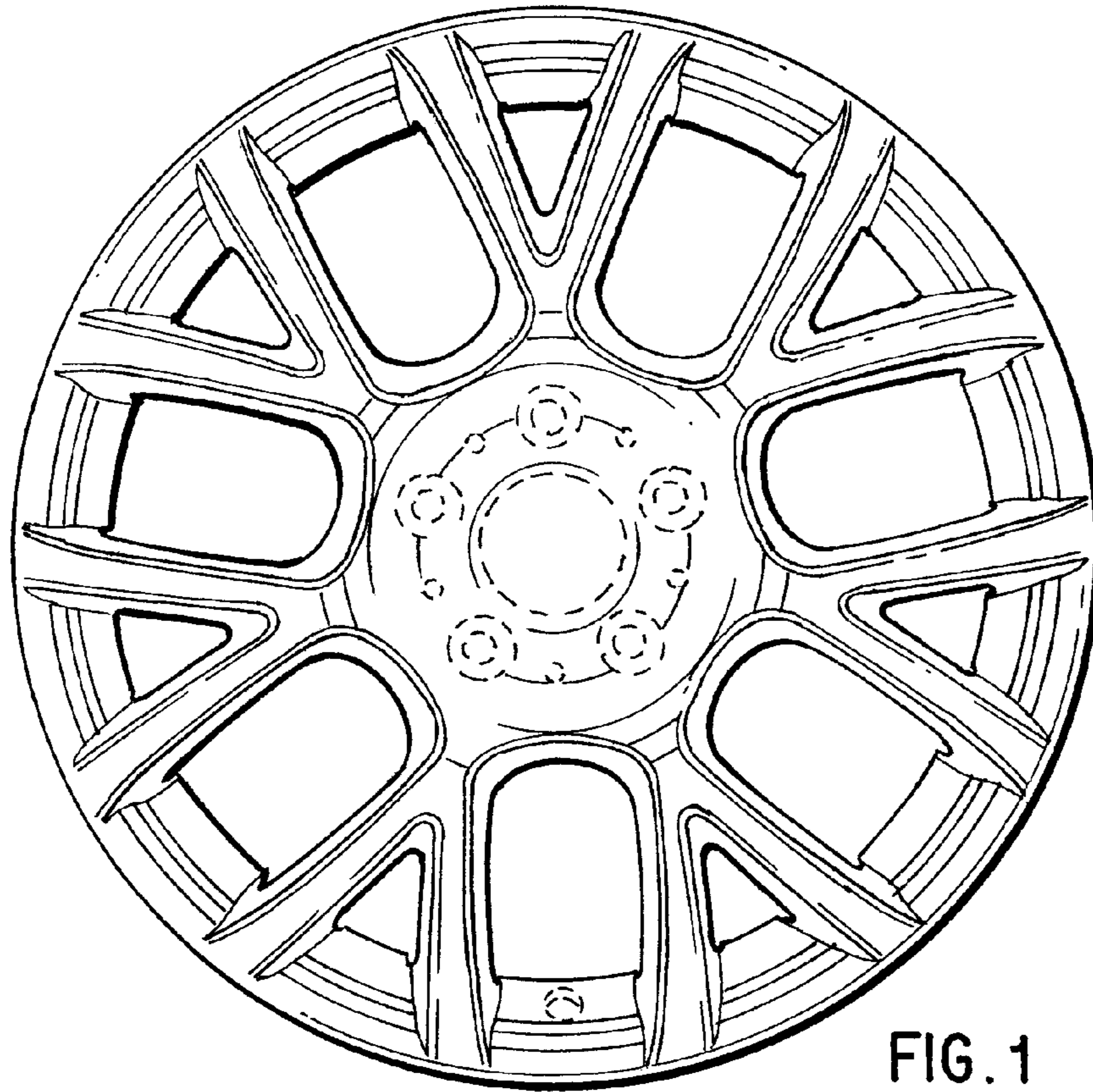


FIG. 1

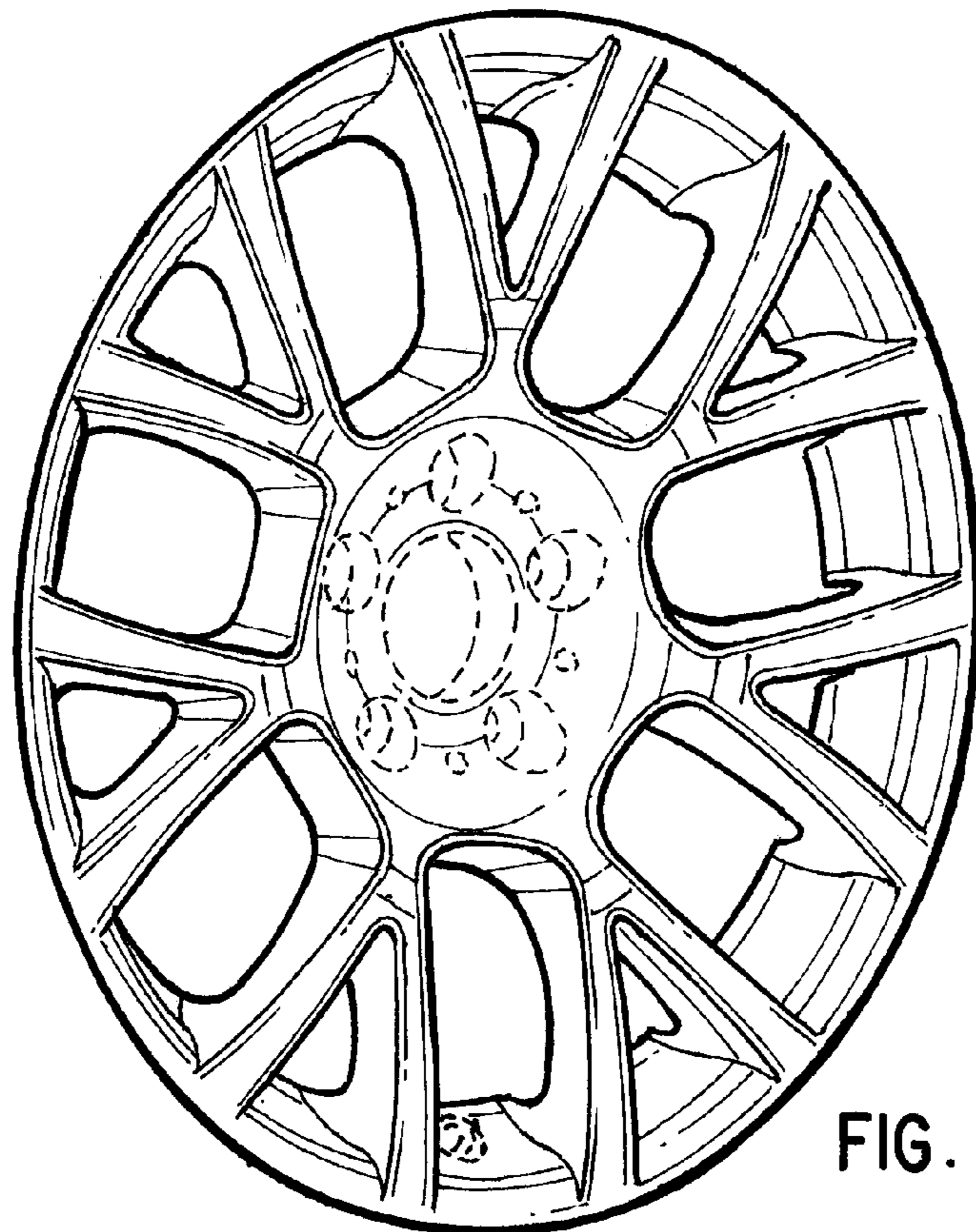


FIG. 2