

US00D547249S

(12) **United States Design Patent**  
**Kurtz et al.**

(10) **Patent No.:** **US D547,249 S**

(45) **Date of Patent:** **\*\* Jul. 24, 2007**

(54) **VEHICLE BODY**

(75) Inventors: **Daniel Dean Kurtz**, Concord, NC (US); **Donald E. Krueger**, Stony Point, NC (US); **Daniel Barry Honeycutt**, Salisbury, NC (US)

(73) Assignee: **National Association for Stock Car Auto Racing, Inc.**, Daytona Beach, FL (US)

(\*\*) Term: **14 Years**

(21) Appl. No.: **29/247,948**

(22) Filed: **Jul. 21, 2006**

(51) **LOC (8) Cl.** ..... **12-16**

(52) **U.S. Cl.** ..... **D12/196; D12/190**

(58) **Field of Classification Search** ..... D12/196, D12/86, 90-92, 190; 296/181.1

See application file for complete search history.

(56) **References Cited**

U.S. PATENT DOCUMENTS

D321,679 S	*	11/1991	Shinoda	.....	D12/196
D437,814 S	*	2/2001	Yokomaku	.....	D12/196
D438,497 S	*	3/2001	Yokomaku	.....	D12/196
D446,758 S	*	8/2001	Tampi	.....	D12/190
D515,486 S	*	2/2006	Yokomaku	.....	D12/190

\* cited by examiner

*Primary Examiner*—Melody N. Brown

(74) *Attorney, Agent, or Firm*—Alston & Bird LLP

(57) **CLAIM**

The ornamental design for a vehicle body, as shown and described.

**DESCRIPTION**

FIG. 1 is a perspective view of a vehicle body showing an embodiment our new design;

FIG. 2 is a top plan view thereof;

FIG. 3 is a left side elevation view thereof;

FIG. 4 is a right side elevation view thereof;

FIG. 5 is a front elevation view thereof;

FIG. 6 is a rear elevation view thereof;

FIG. 7 is a perspective view of a vehicle body showing a second embodiment of our new design;

FIG. 8 is a top plan view of FIG. 7;

FIG. 9 is a left side elevation view of FIG. 7;

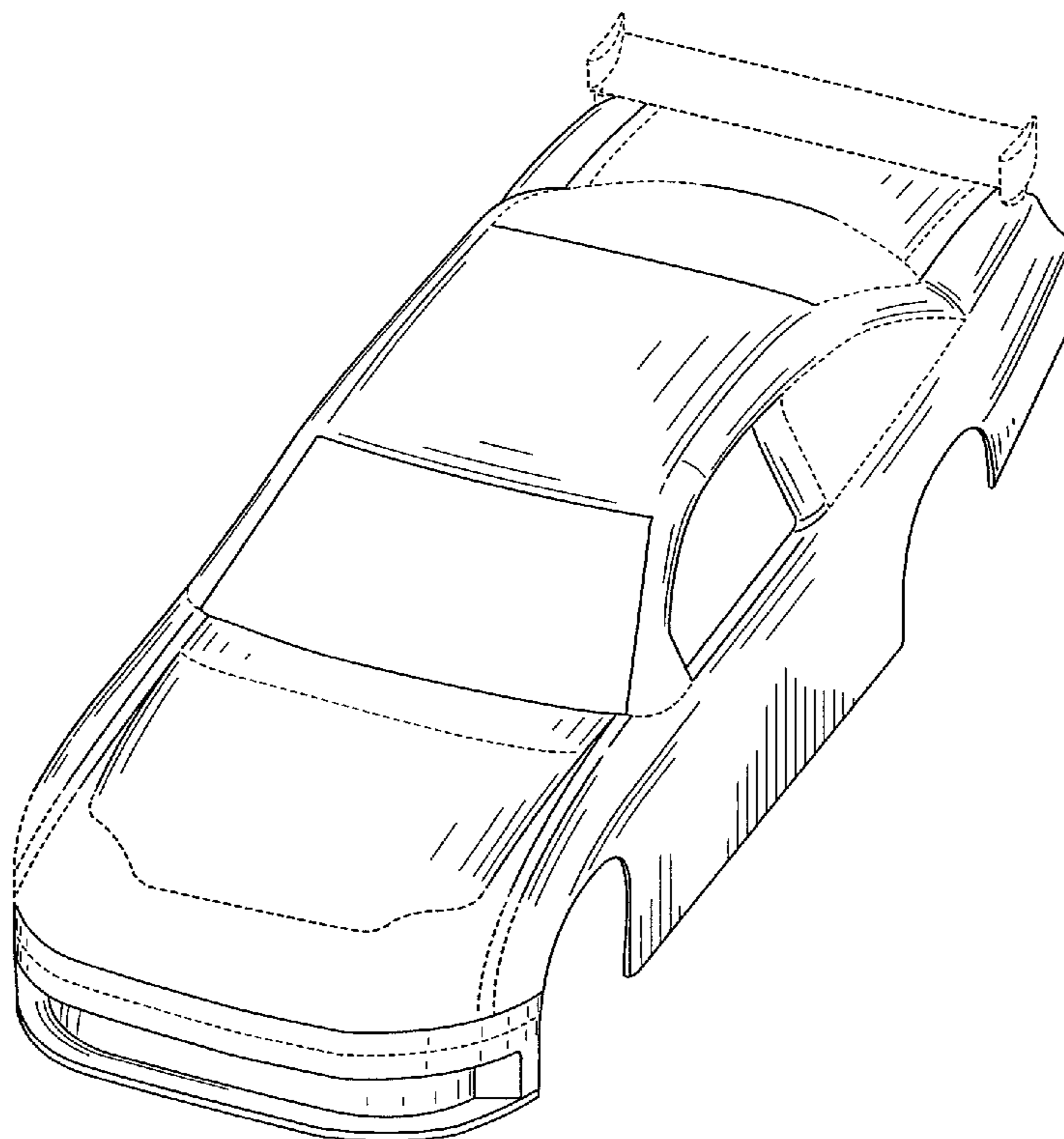
FIG. 10 is a right side elevation view of FIG. 7;

FIG. 11 is a front elevation view of FIG. 7; and,

FIG. 12 is a rear elevation view of FIG. 7.

The broken lines shown herein are for illustrative purposes only and form no part of the claimed design.

**1 Claim, 12 Drawing Sheets**



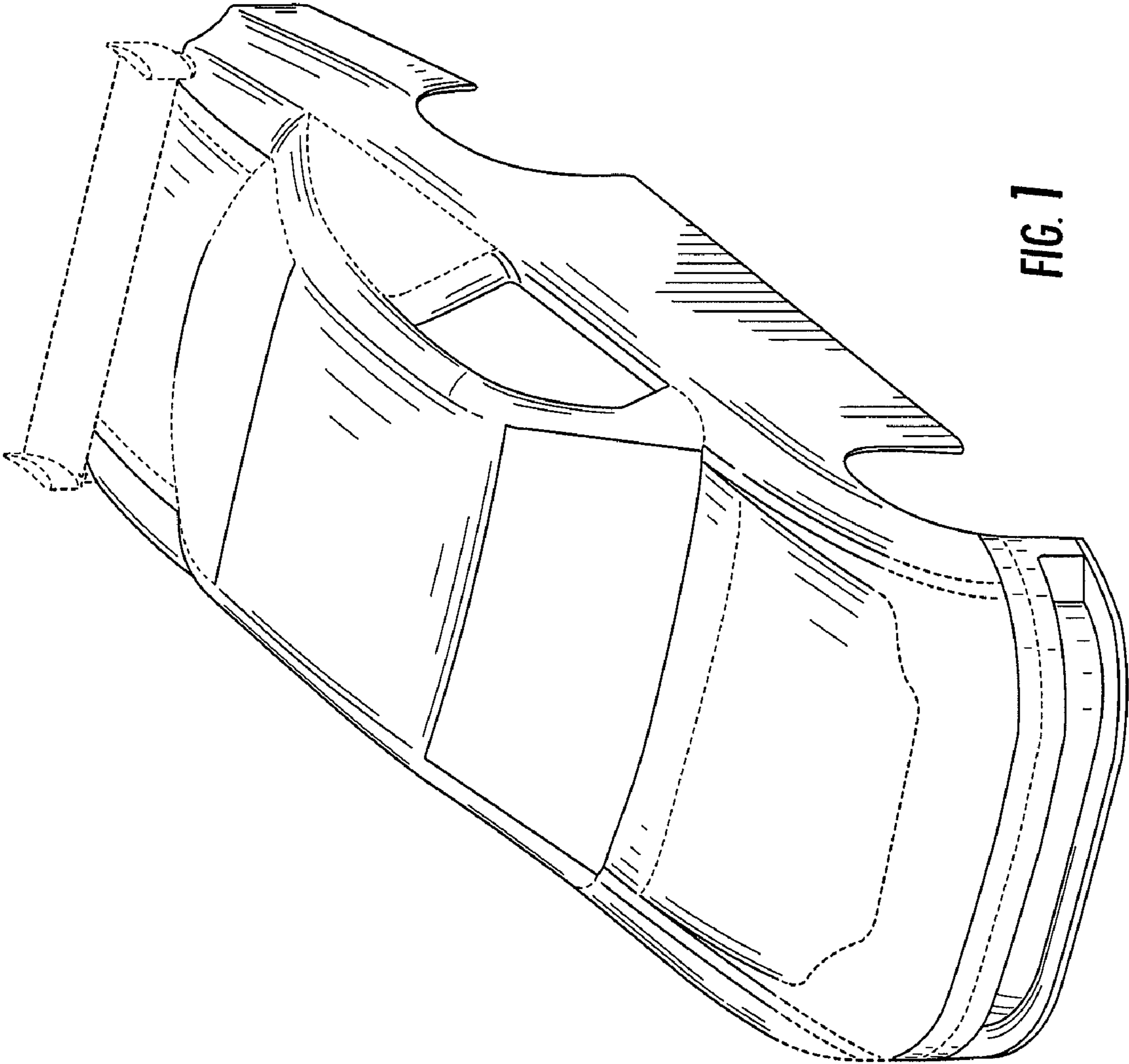
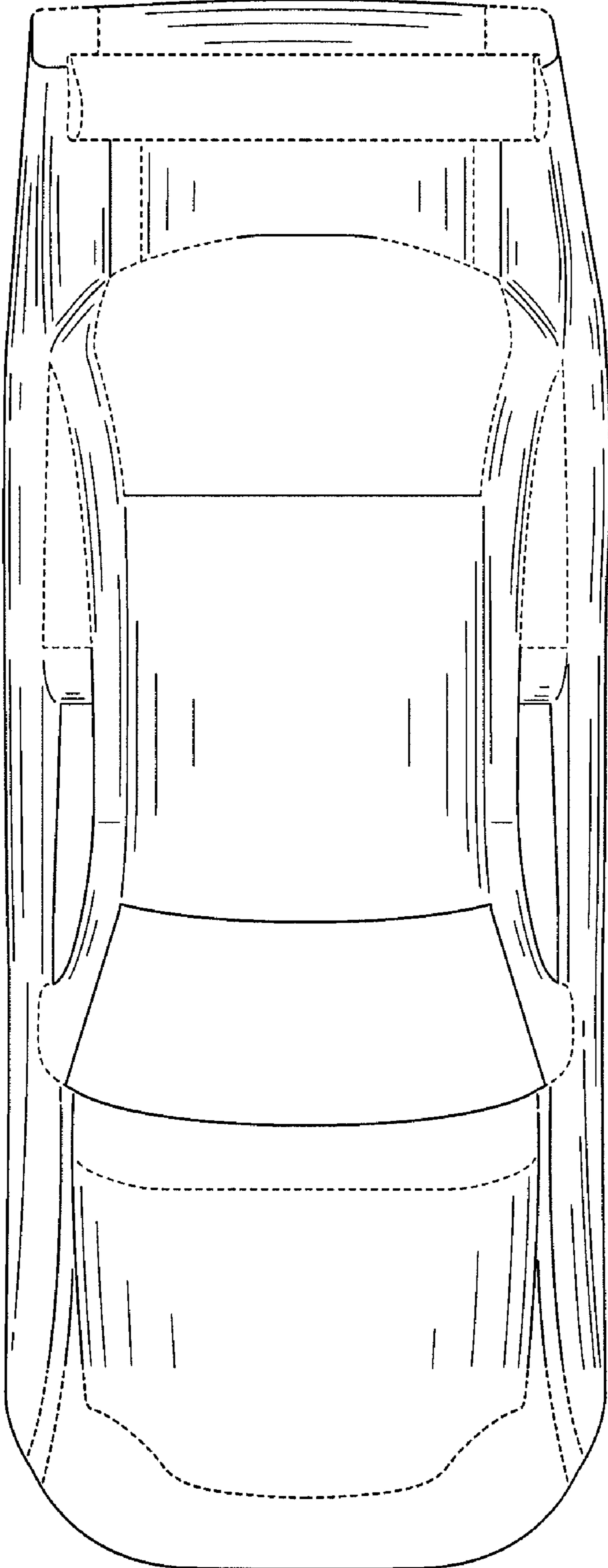


FIG. 1



**FIG. 2**

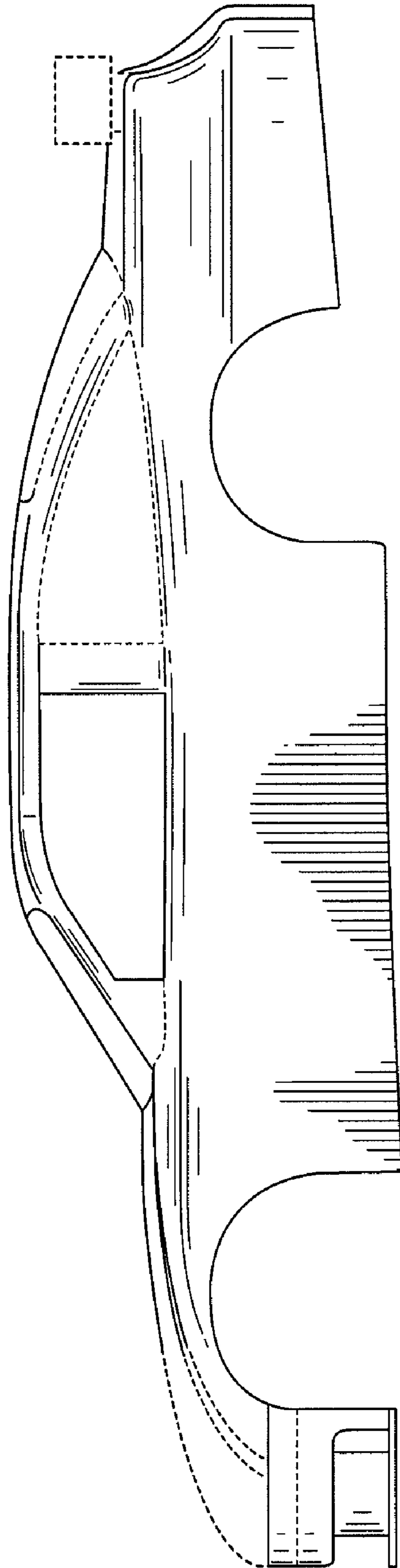


FIG. 3

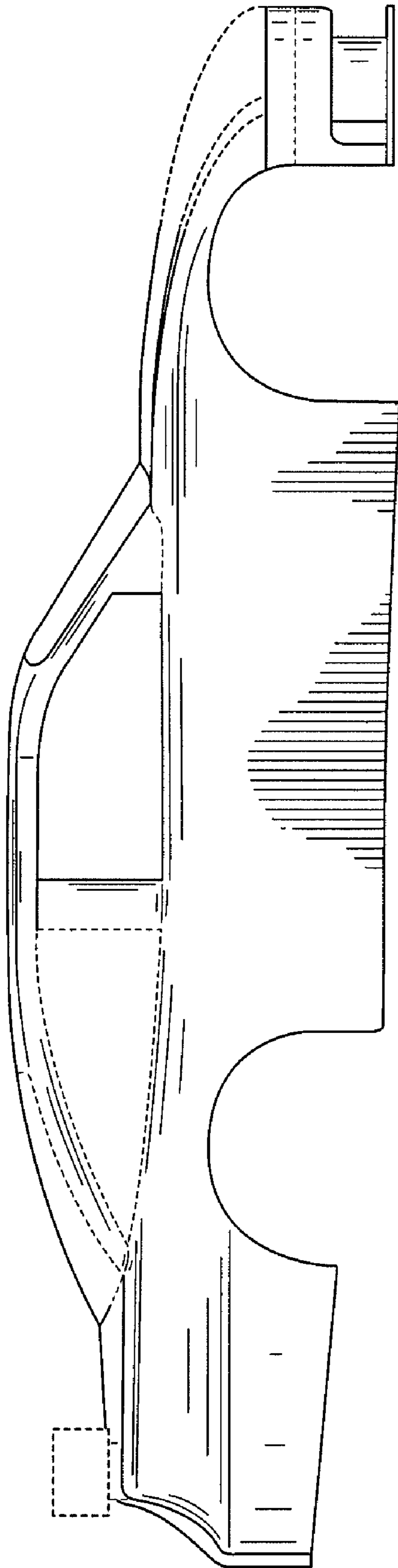
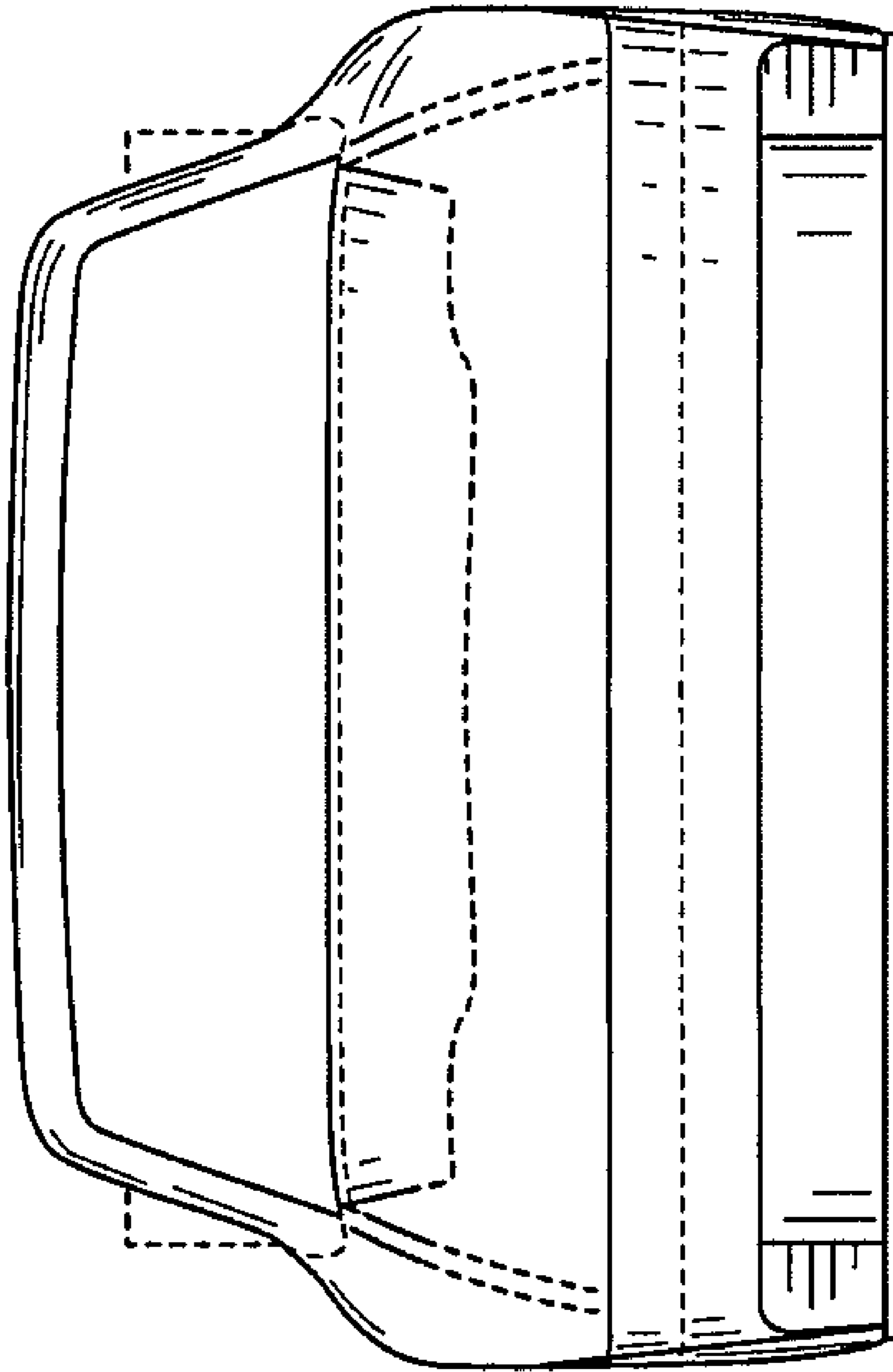
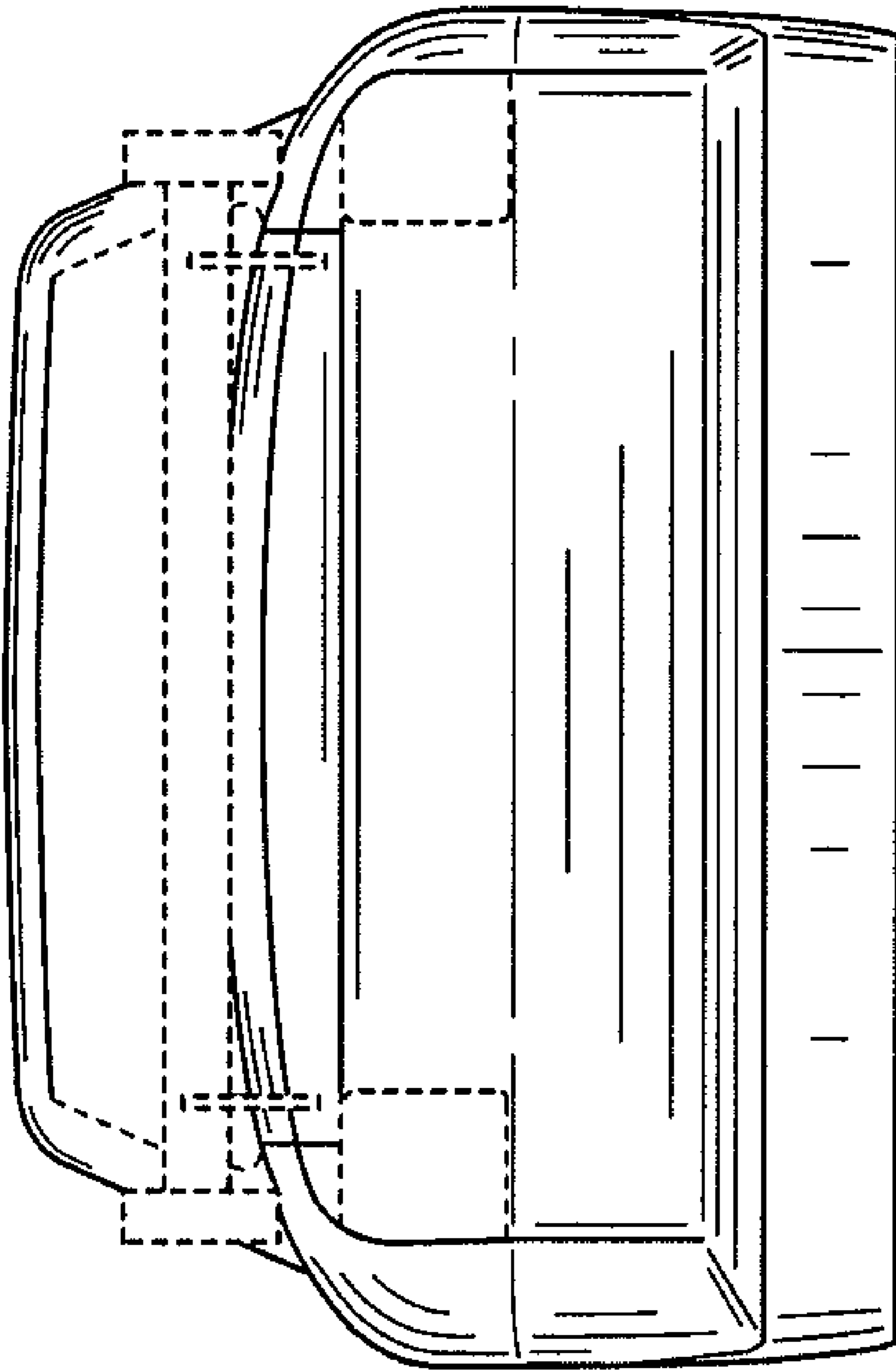


FIG. 4



**FIG. 5**



**FIG. 6**



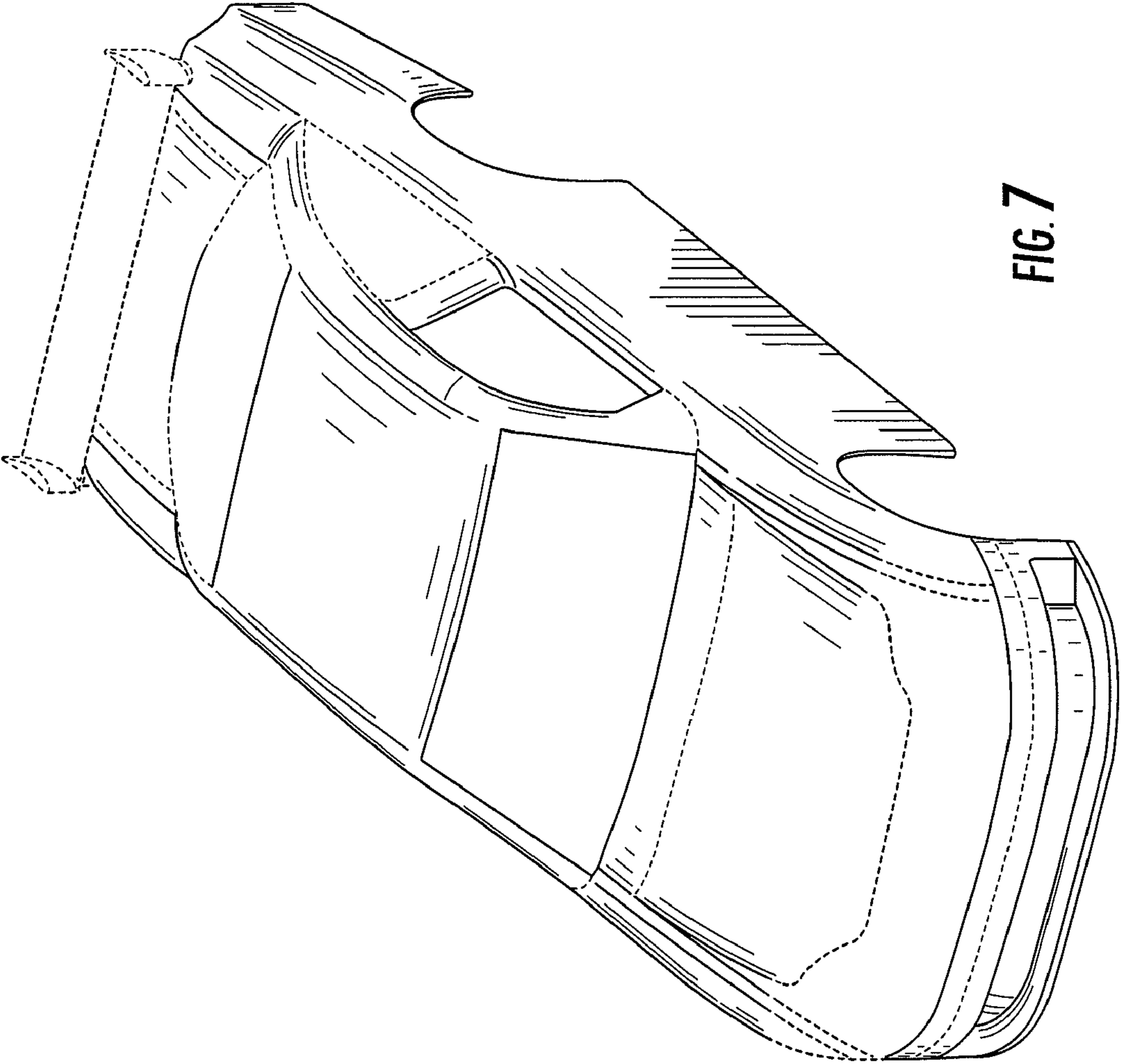


FIG. 7



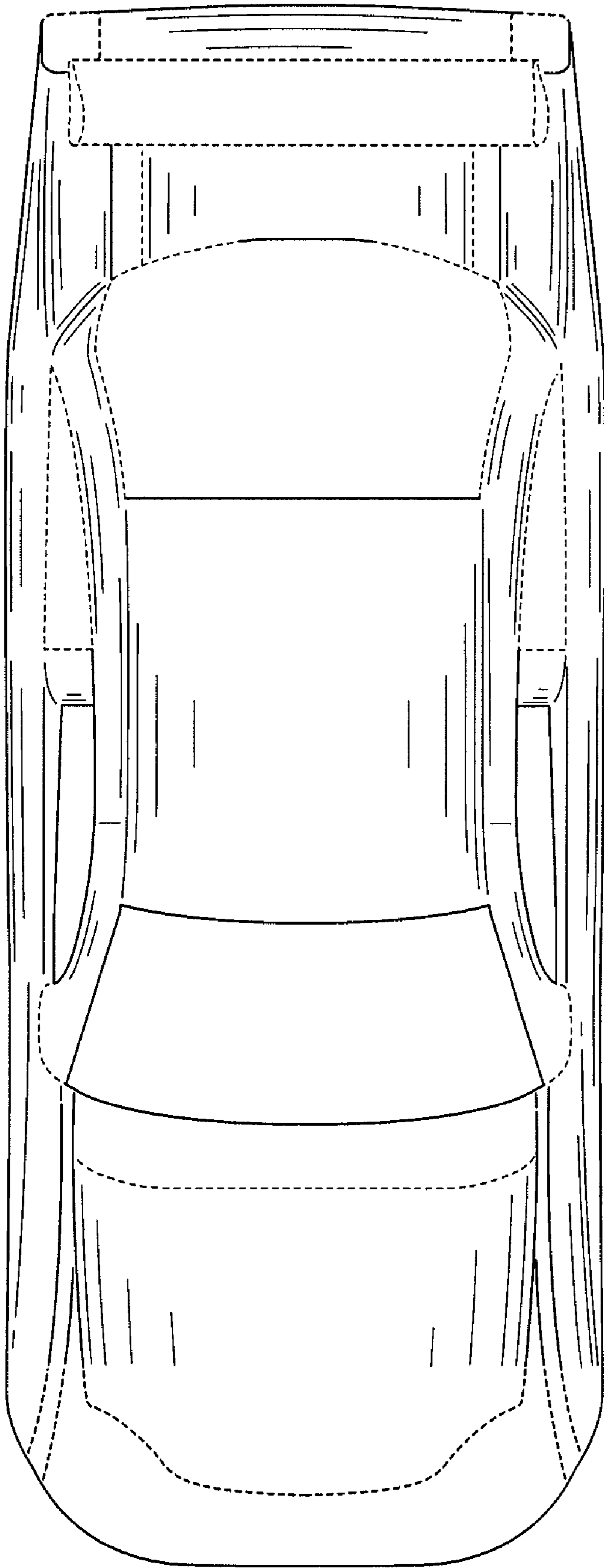
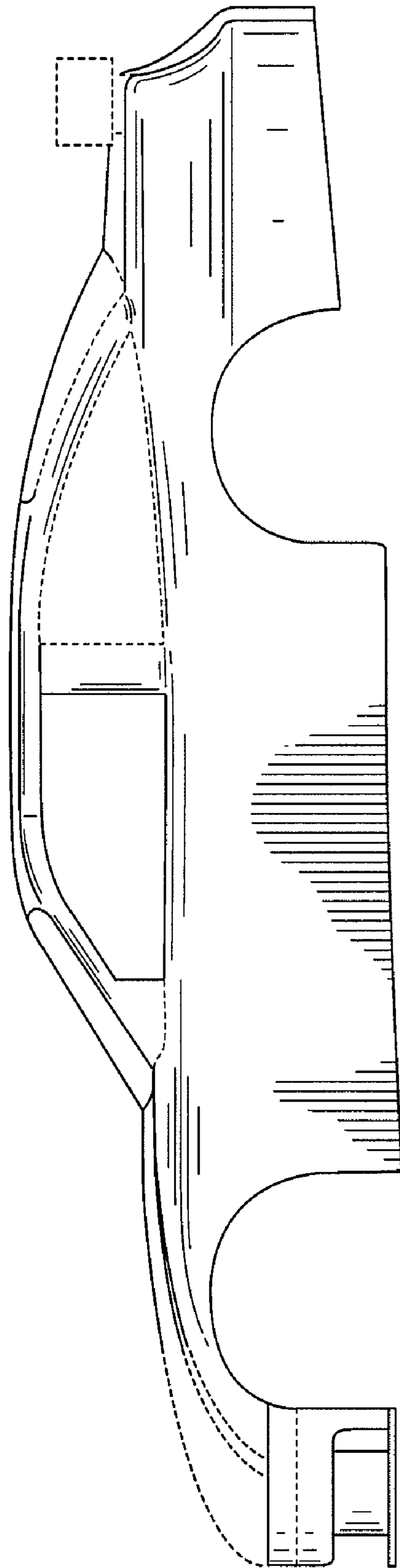
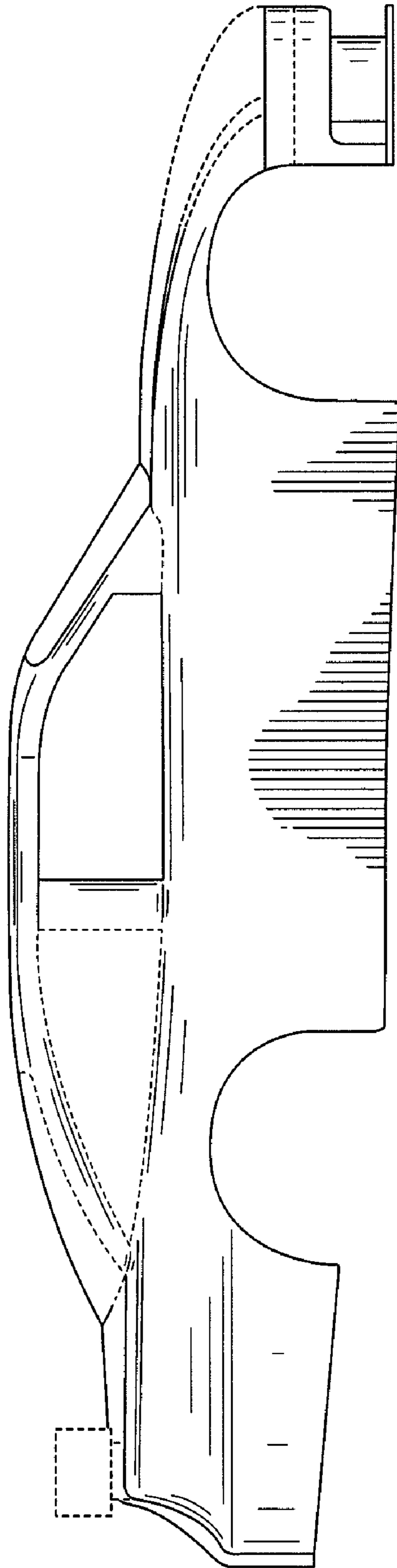


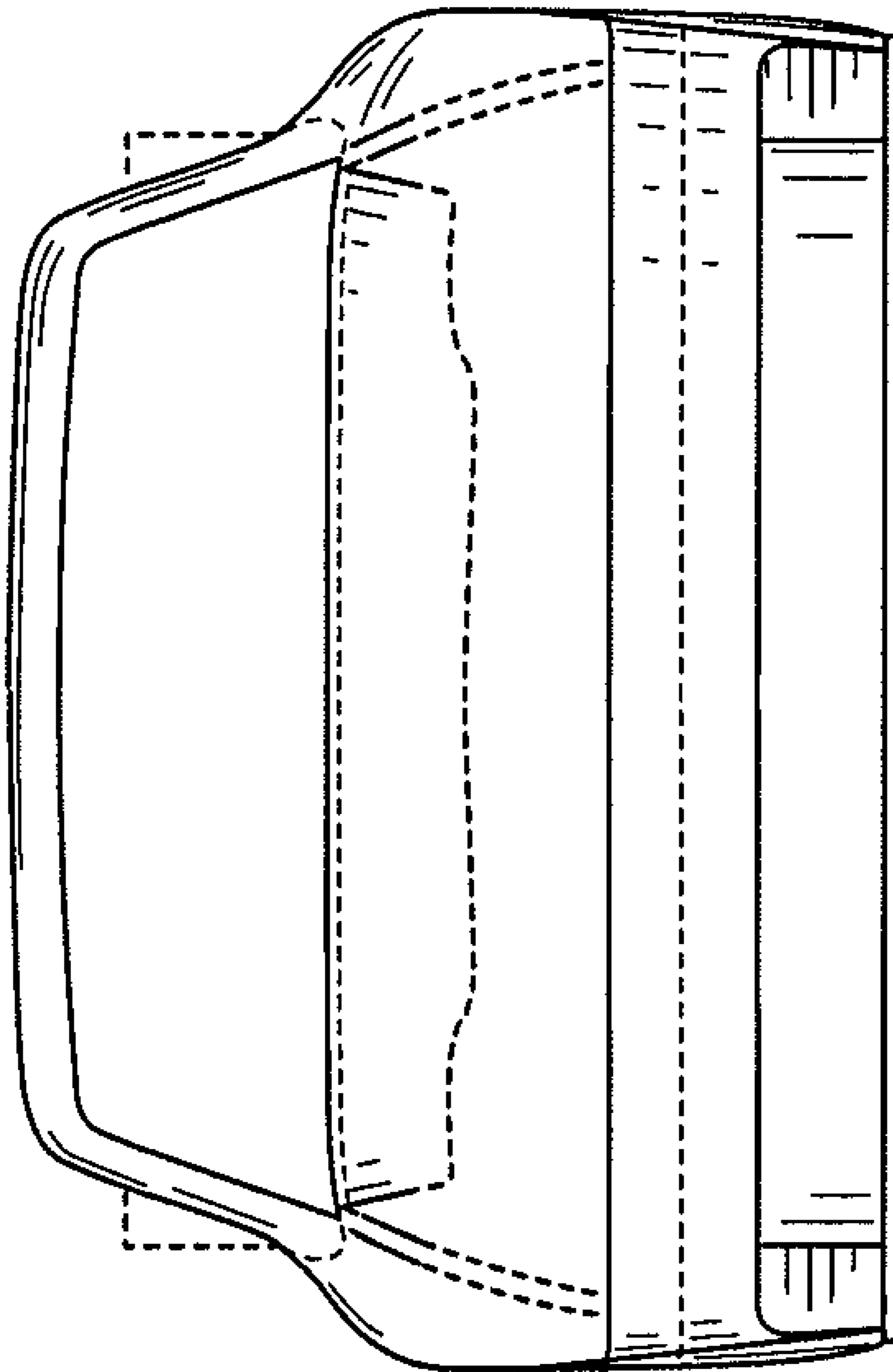
FIG. 8



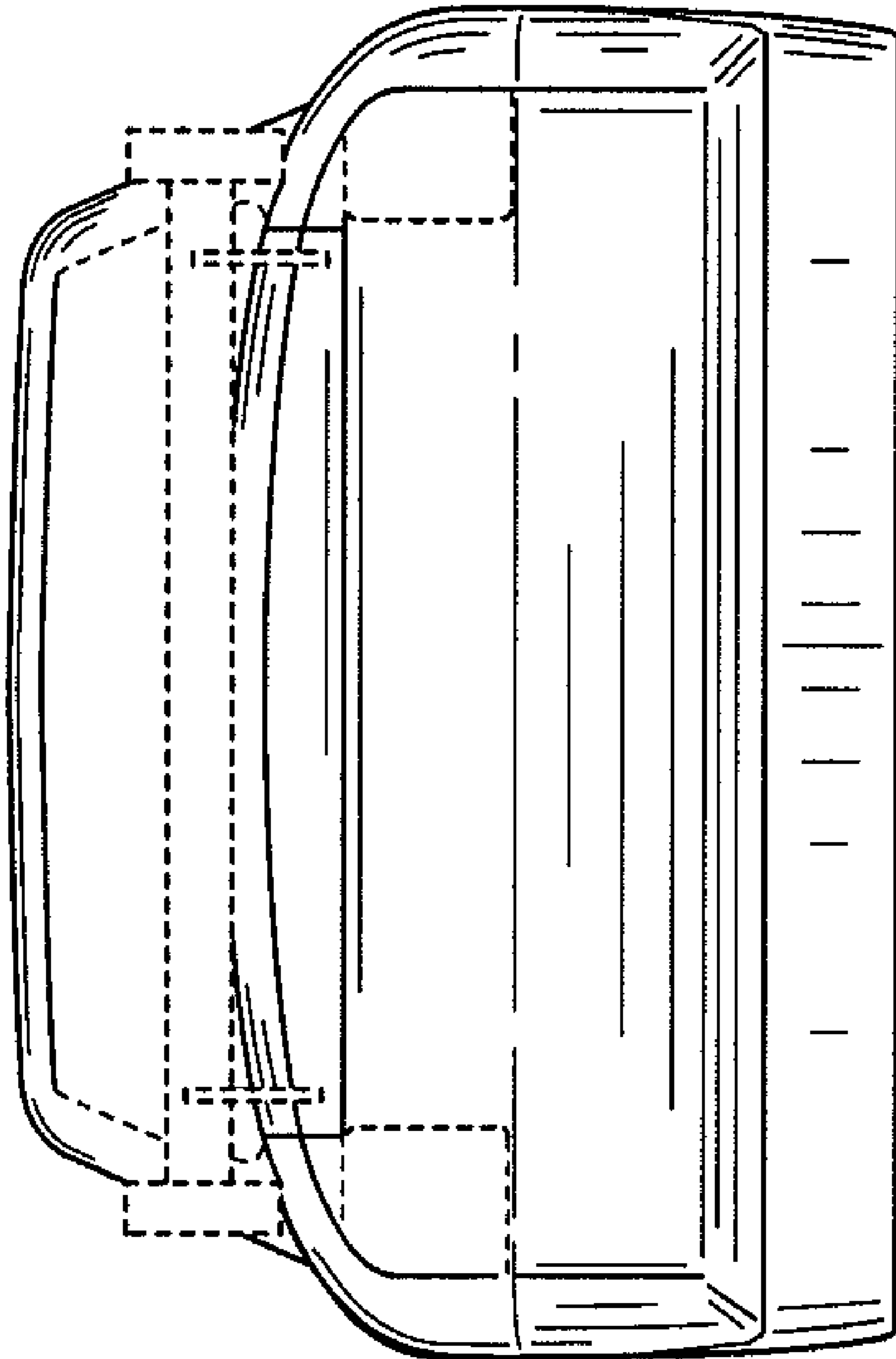
**FIG. 9**



**FIG. 10**



**FIG. 11**



**FIG. 12**