



US00D547247S

(12) **United States Design Patent**  
**Shimoguchi et al.**

(10) **Patent No.:** **US D547,247 S**  
(45) **Date of Patent:** **\*\* Jul. 24, 2007**

(54) **OUTER MIRROR FOR A MOTOR VEHICLE**

Copending U.S. Appl. No. 29/224,204, filed Feb. 25, 2005.

(75) Inventors: **Kenta Shimoguchi**, Aichi-ken (JP);  
**Hitoshi Takayama**, Tokyo (JP)

\* cited by examiner

(73) Assignee: **Toyota Jidosha Kabushiki Kaisha**,  
Toyota (JP)

*Primary Examiner*—Stacia Cadmus

(74) *Attorney, Agent, or Firm*—Finnegan, Henderson,  
Farabow, Garrett & Dunner, L.L.P.

(\*\*) Term: **14 Years**

(57) **CLAIM**

(21) Appl. No.: **29/253,267**

The ornamental design for an outer mirror for a motor  
vehicle, as shown and described.

(22) Filed: **Feb. 3, 2006**

(51) **LOC (8) Cl.** ..... **12-16**

(52) **U.S. Cl.** ..... **D12/187**

(58) **Field of Classification Search** ..... D12/187–189;  
359/838–851, 855–868, 871–881; 248/475.1,  
248/476, 480–481, 485–487

See application file for complete search history.

(56) **References Cited**

**U.S. PATENT DOCUMENTS**

D142,248 S *	8/1945	Latshaw	.....	D12/187
D255,792 S *	7/1980	Harrison	.....	D12/187
D356,537 S *	3/1995	Eisenbraun	.....	D12/187
D479,169 S *	9/2003	Schmidt et al.	.....	D12/187
D505,897 S *	6/2005	Wade	.....	D12/188
D514,488 S *	2/2006	Perfetti et al.	.....	D12/187
D519,071 S *	4/2006	Moruzzi	.....	D12/187

**OTHER PUBLICATIONS**

Brochure of F-250, 2003 Ford Motor Company, Ford F-250.  
Brochure of Titan, 2003, Nissan Motor Co., Ltd., Nissan Titan.

**DESCRIPTION**

FIG. 1 is a perspective view of an outer mirror for a motor  
vehicle of our new design;

FIG. 2 is a front view of our new design;

FIG. 3 is a rear view of our new design;

FIG. 4 is a top plan view of our new design;

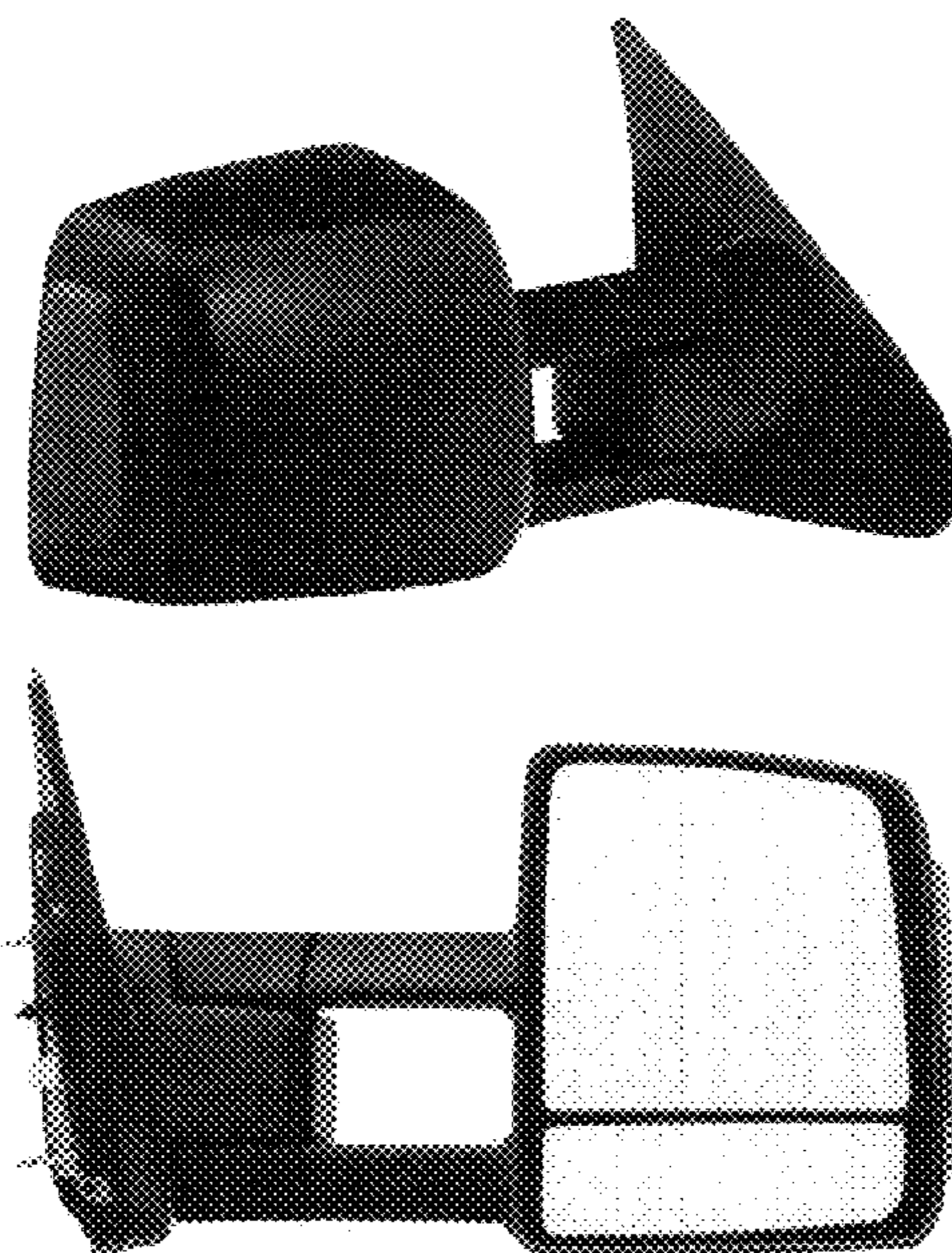
FIG. 5 is a bottom view of our new design;

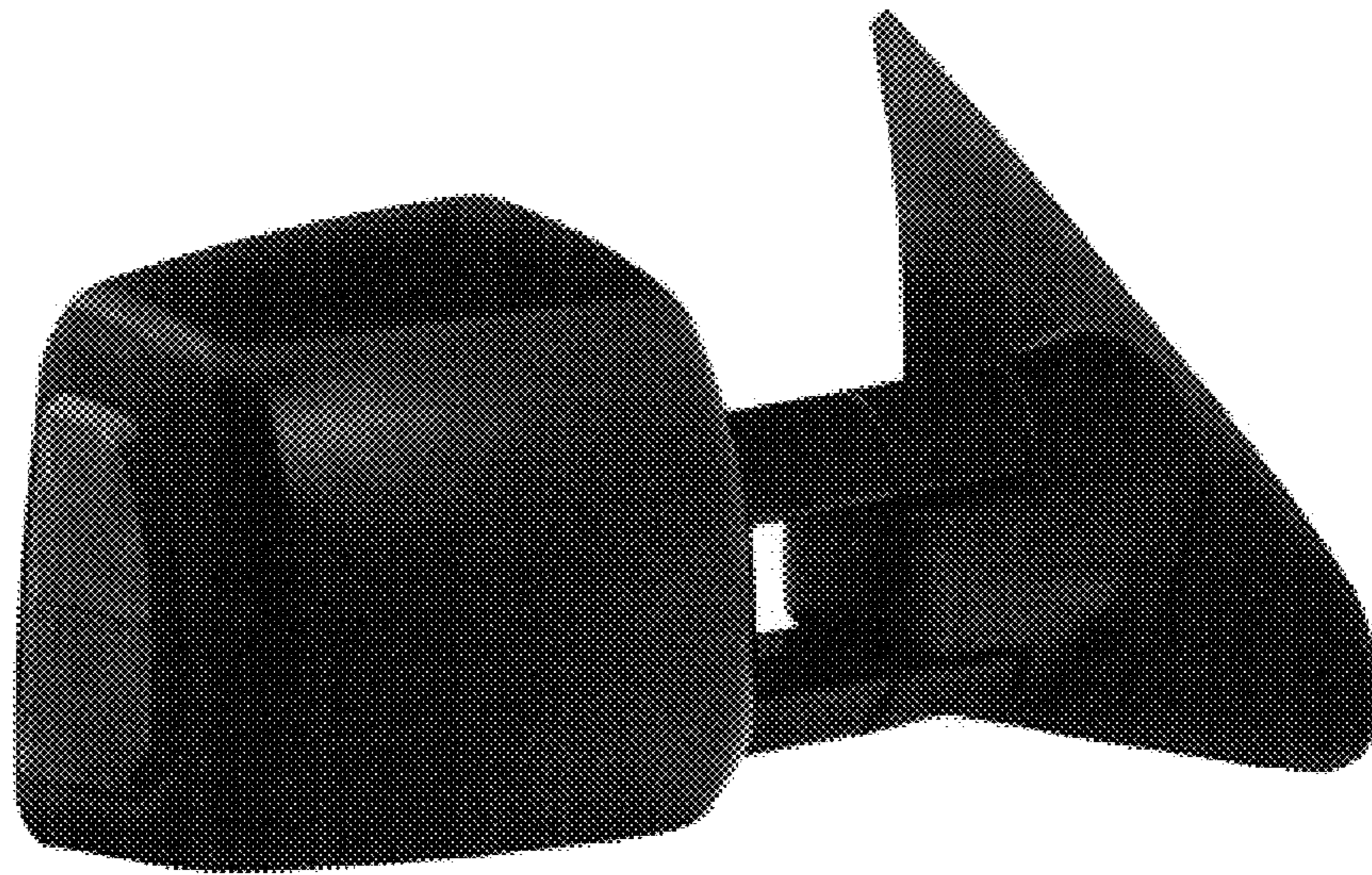
FIG. 6 is a left-side view of our new design; and,

FIG. 7 is a right-side view of our new design.

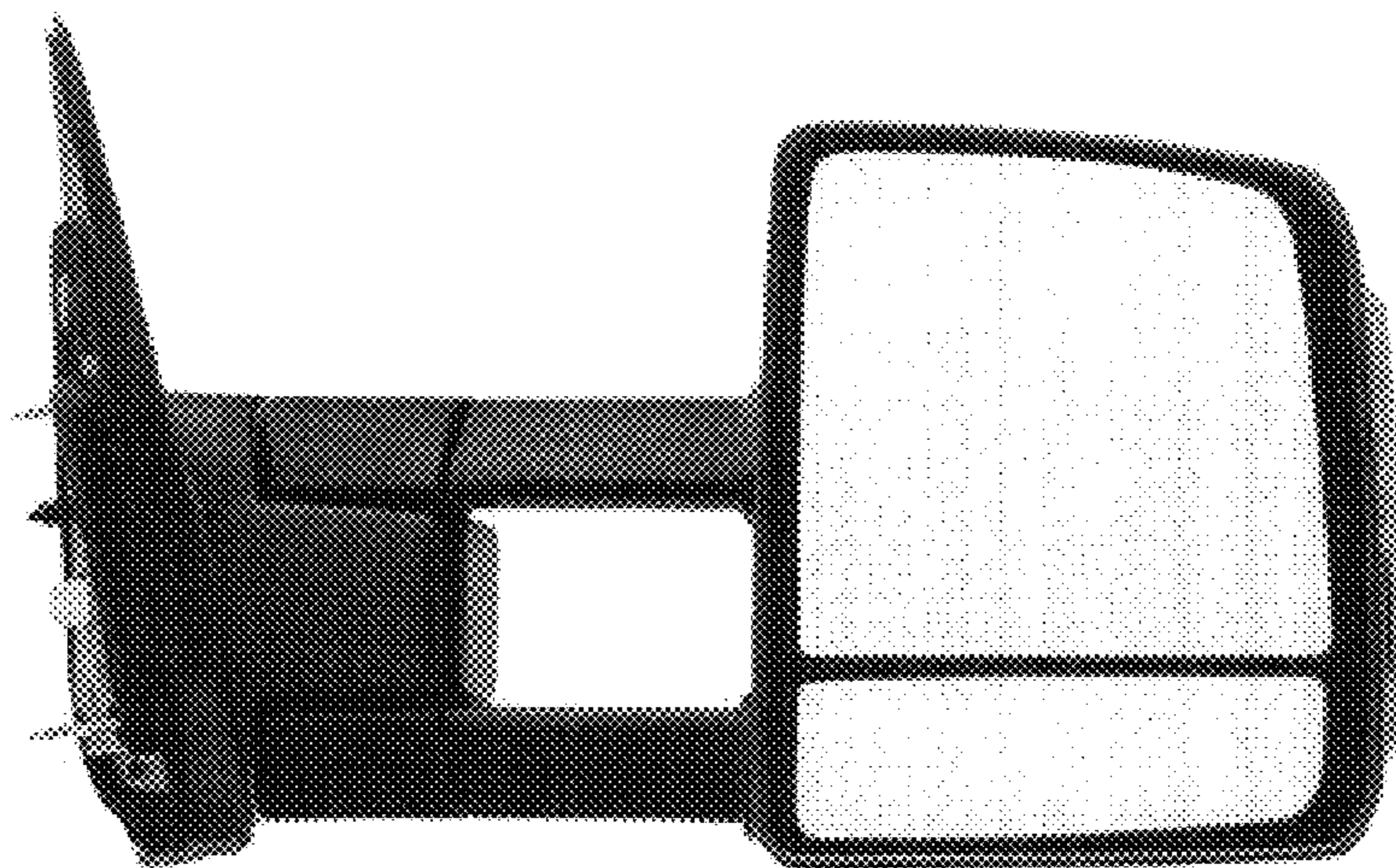
Our design includes the mirror image of the embodiment  
depicted. As used herein, right and left refer to the orienta-  
tion of the design depicted in the figures above, not the right  
and left sides of the design as mounted on a motor vehicle.

**1 Claim, 4 Drawing Sheets**

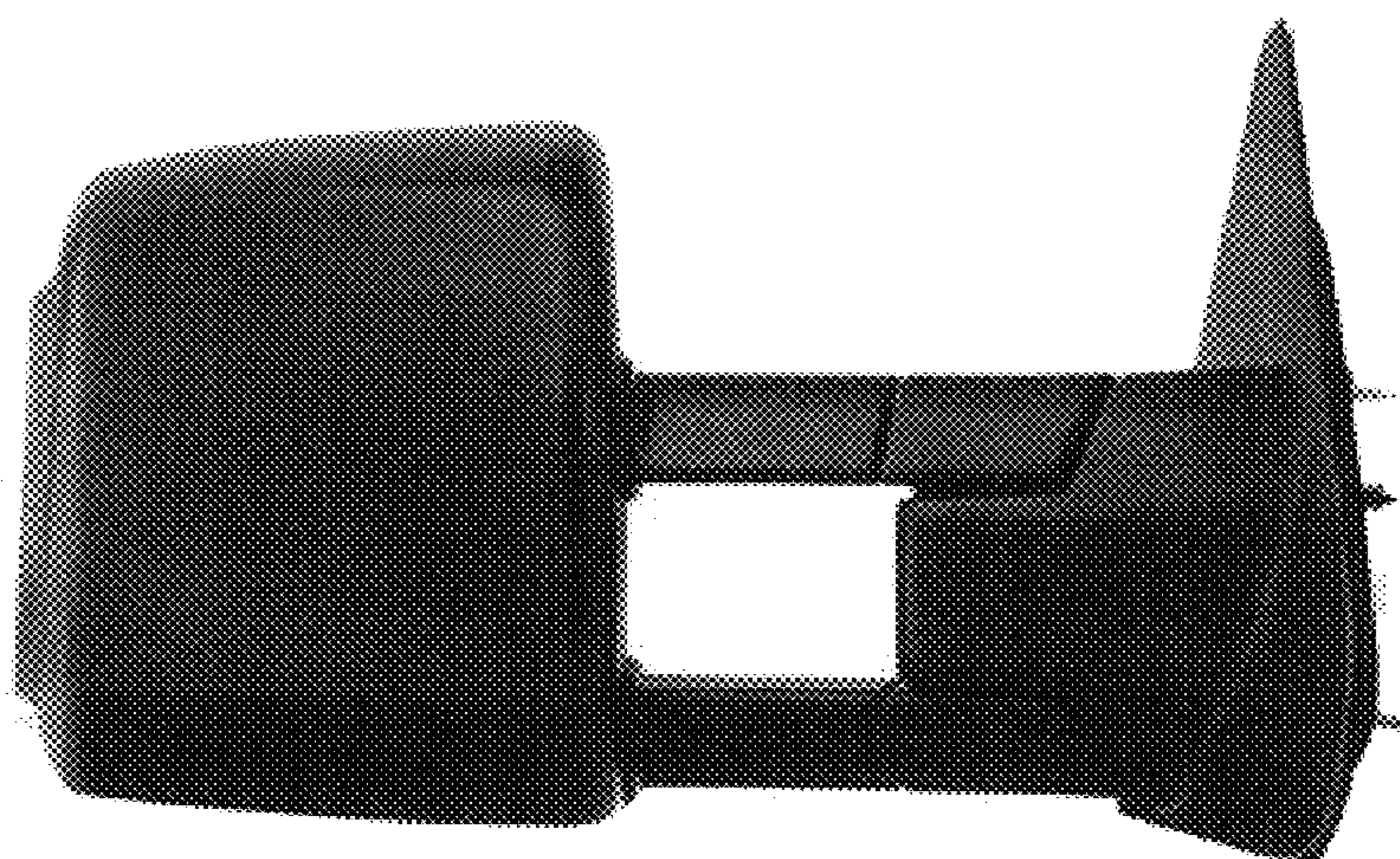




**FIG. 1**



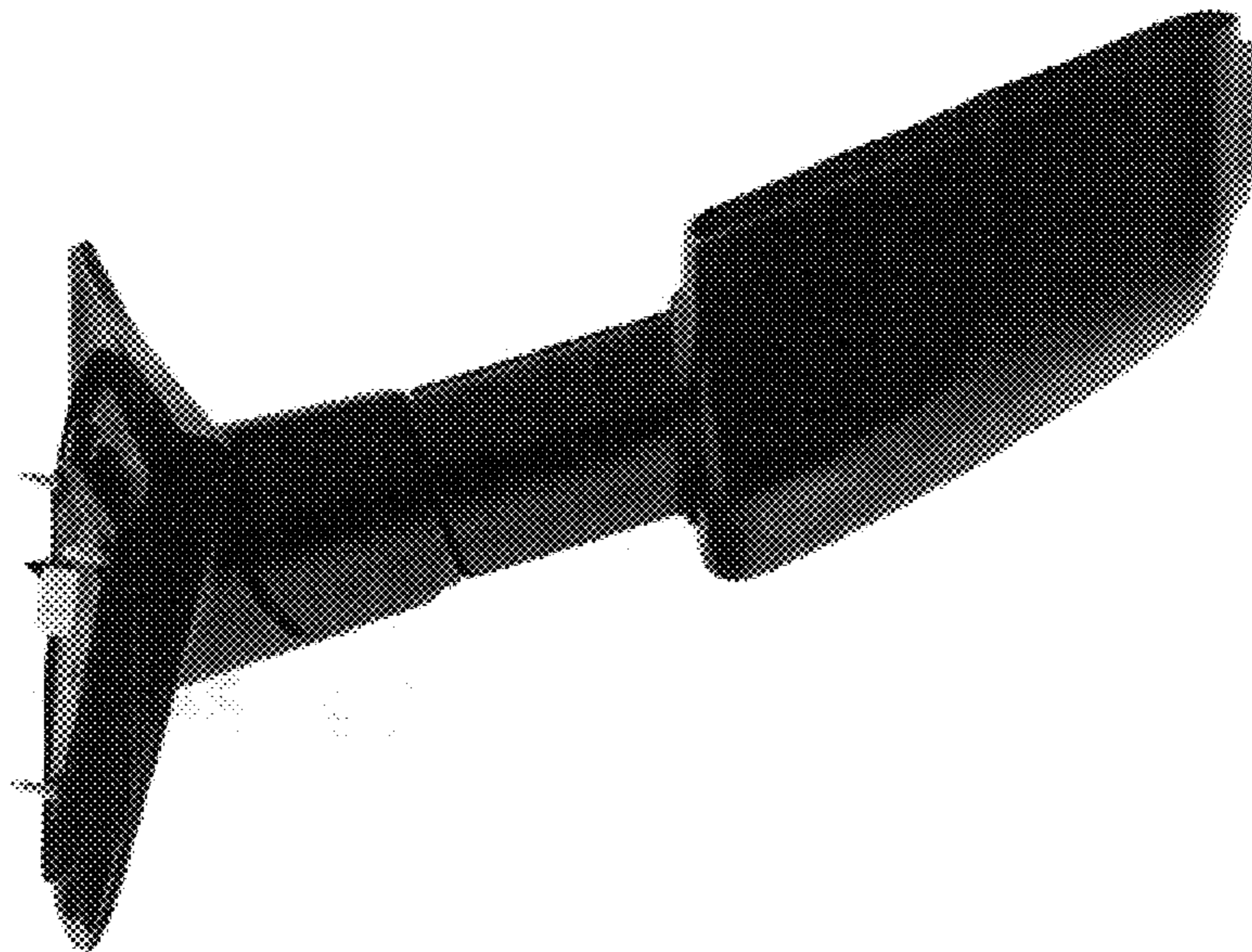
**FIG. 2**



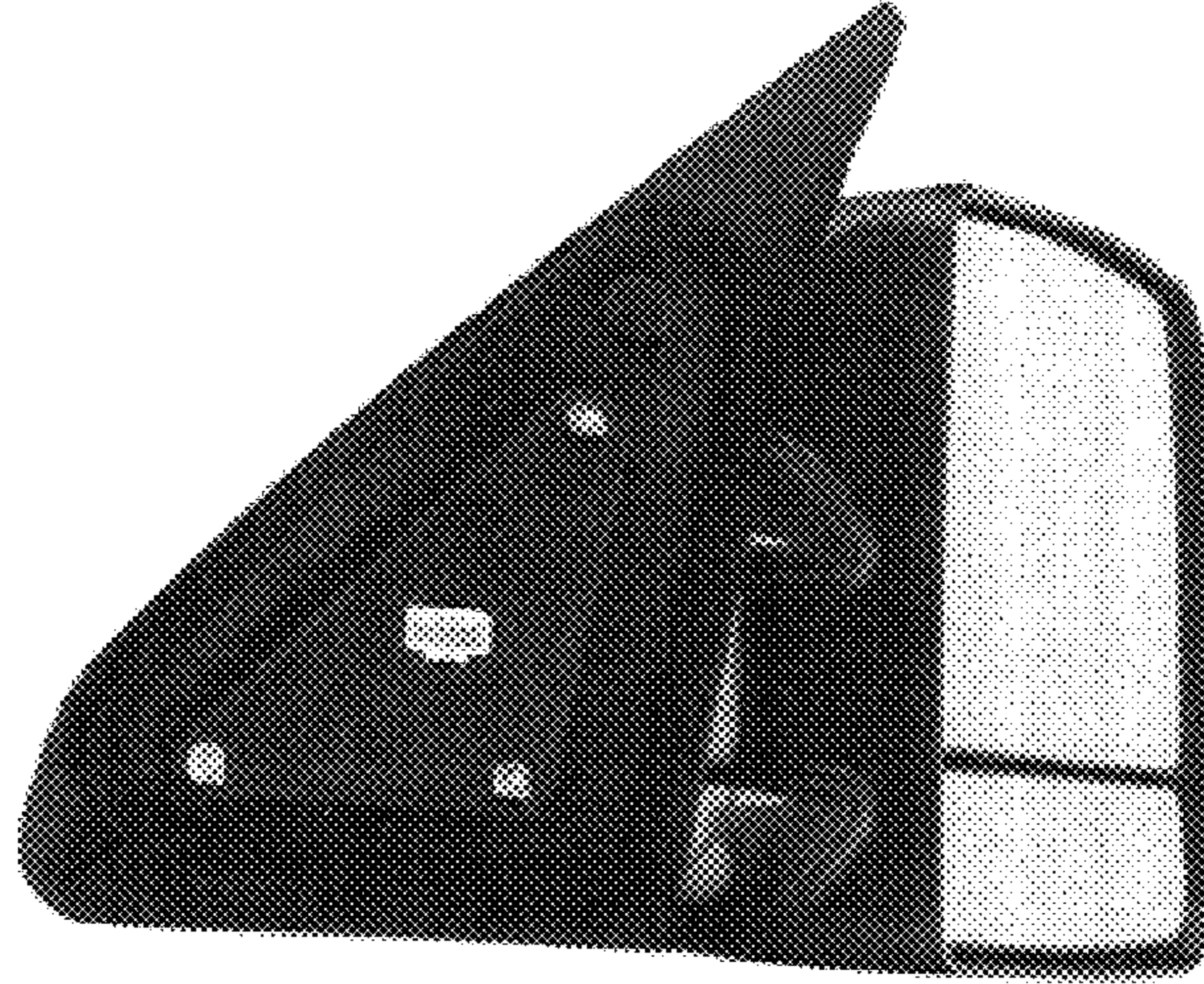
**FIG. 3**



**FIG. 4**



**FIG. 5**



**FIG. 6**



**FIG. 7**