

US00D547244S

(12) **United States Design Patent**
Munger

(10) **Patent No.:** **US D547,244 S**

(45) **Date of Patent:** **** Jul. 24, 2007**

(54) **STEERING WHEEL KEYBOARD HOLDER**

Primary Examiner—Melody N. Brown

(76) **Inventor:** **Mary G. Munger**, 460 Independence St., Lakewood, CO (US) 80226

(74) *Attorney, Agent, or Firm*—Patent Law Offices of Rick Martin, PC

(**) **Term:** **14 Years**

(57) **CLAIM**

(21) **Appl. No.:** **29/244,977**

The ornamental design of a steering wheel keyboard holder, as shown and described.

(22) **Filed:** **Dec. 16, 2005**

(51) **LOC (8) Cl.** **12-16**

(52) **U.S. Cl.** **D12/177**

(58) **Field of Classification Search** D12/177,
D12/406, 419, 425; D19/84, 88–91; 108/44–49;
224/276, 400; 248/441.1, 447.2

DESCRIPTION

See application file for complete search history.

FIG. 1 is a top plan view of my new design for a steering wheel keyboard holder.

(56) **References Cited**

FIG. 2 is a rear elevation view of FIG. 1.

U.S. PATENT DOCUMENTS

FIG. 3 is a front elevation view of FIG. 1.

- D393,327 S * 4/1998 Lee Shu D27/115
- D401,544 S * 11/1998 Corsetti D12/177
- D443,649 S * 6/2001 Citron D19/88
- D444,178 S * 6/2001 Citron D19/88

FIG. 4 is a side elevation view of the right and left sides, which are mirror images, of FIG. 1.

OTHER PUBLICATIONS

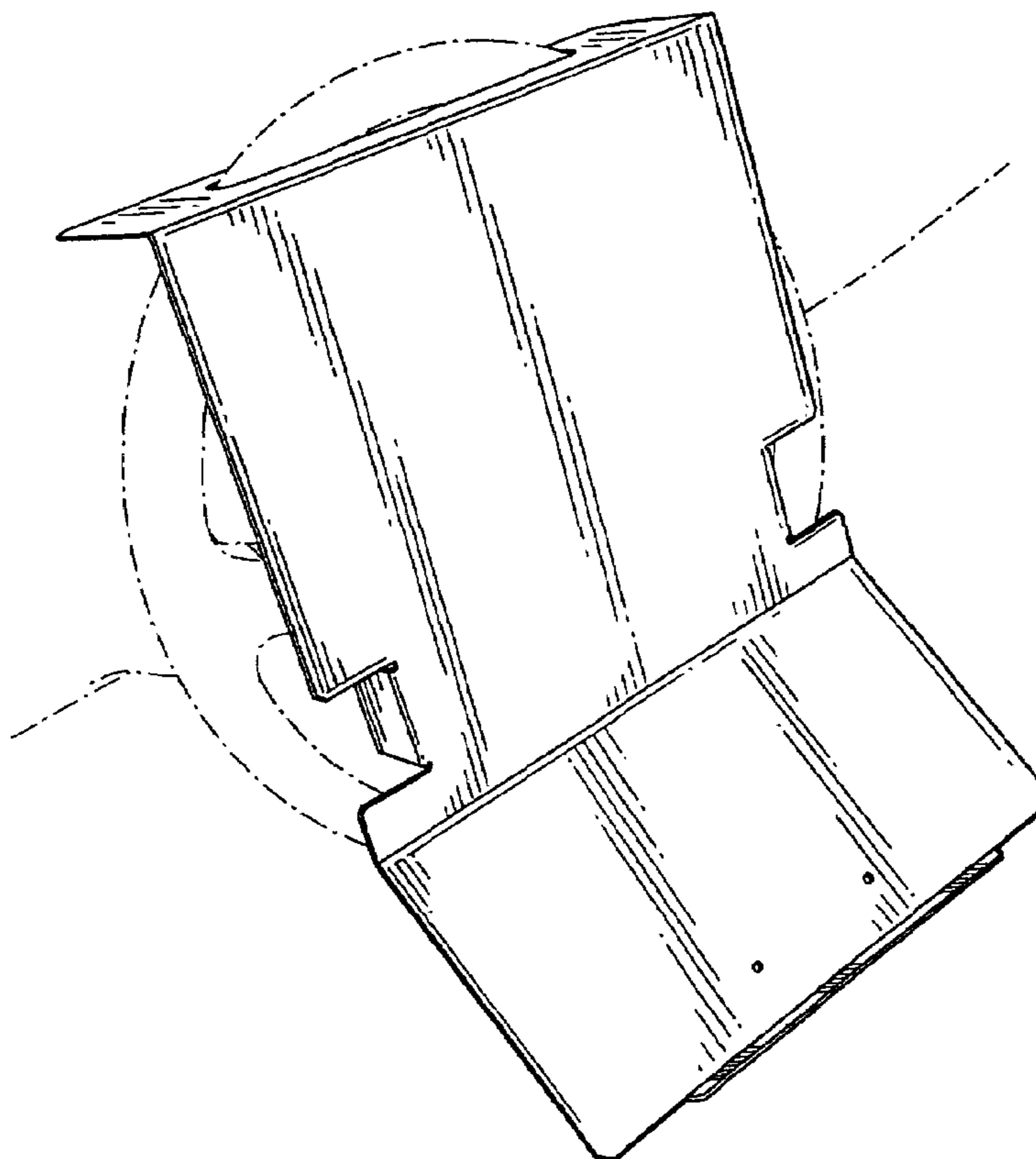
FIG. 5 is a bottom plan view of FIG. 1; and,

Two (2) pages printed from “<http://www.steeringwheelkeyboard-holder.com>,” publisher Jun. 2004 (previous version).

FIG. 6 is a front perspective view of FIG. 1 mounted on a steering wheel, the steering wheel and bottom edge of the dashboard are shown in dotted lines which are for illustrative purposes only and are not part of the claimed design.

* cited by examiner

1 Claim, 2 Drawing Sheets



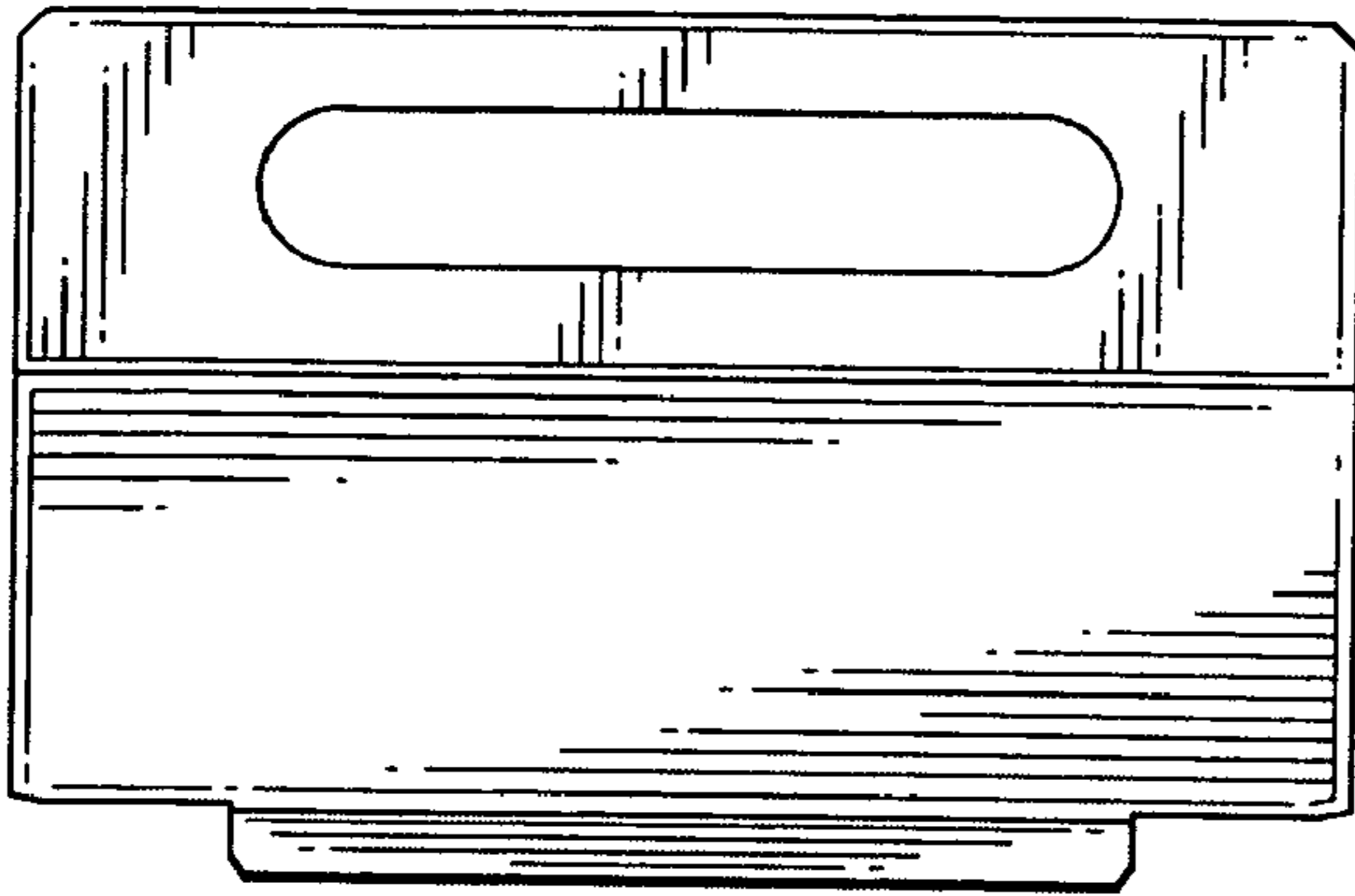


FIG. 2

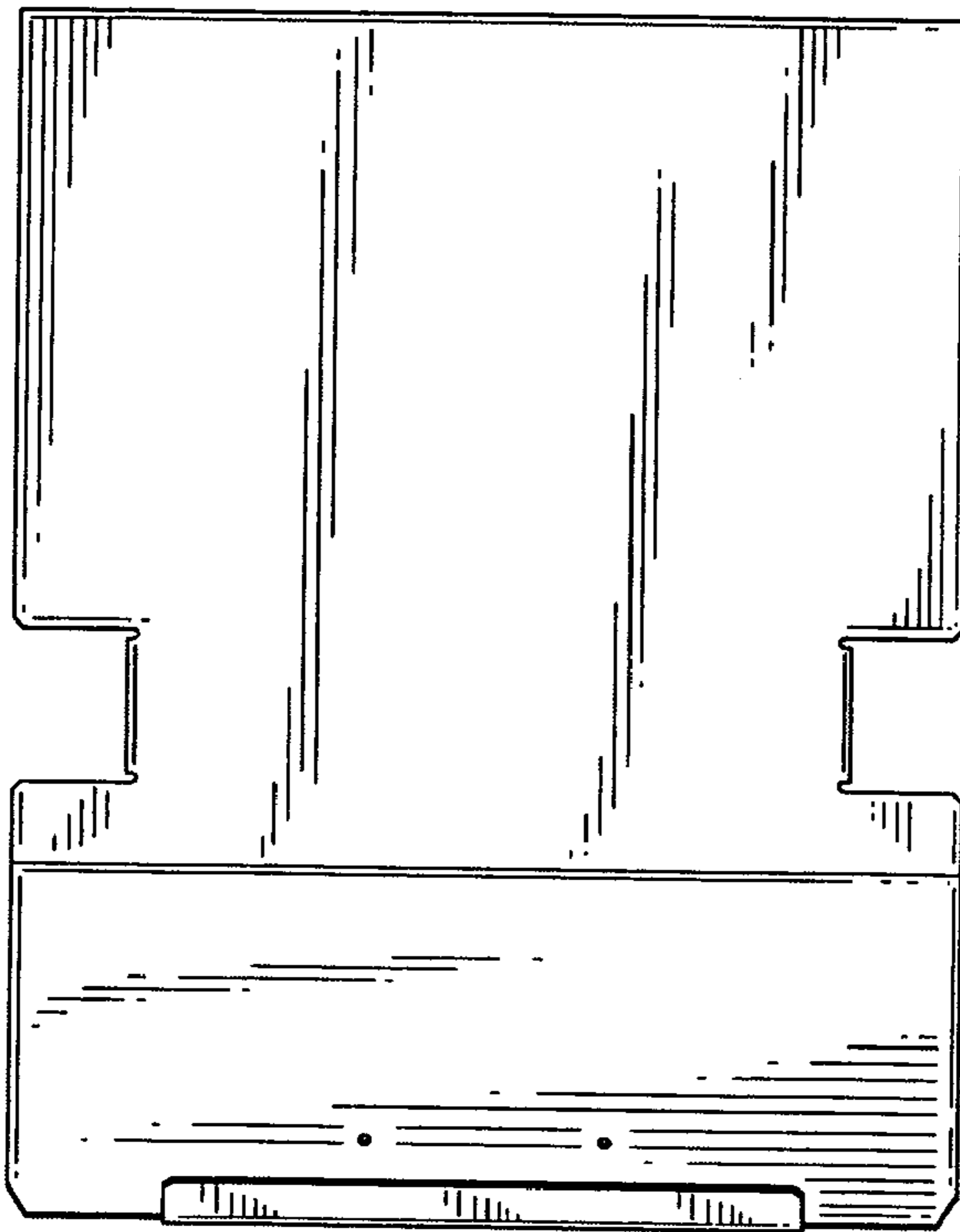


FIG. 1

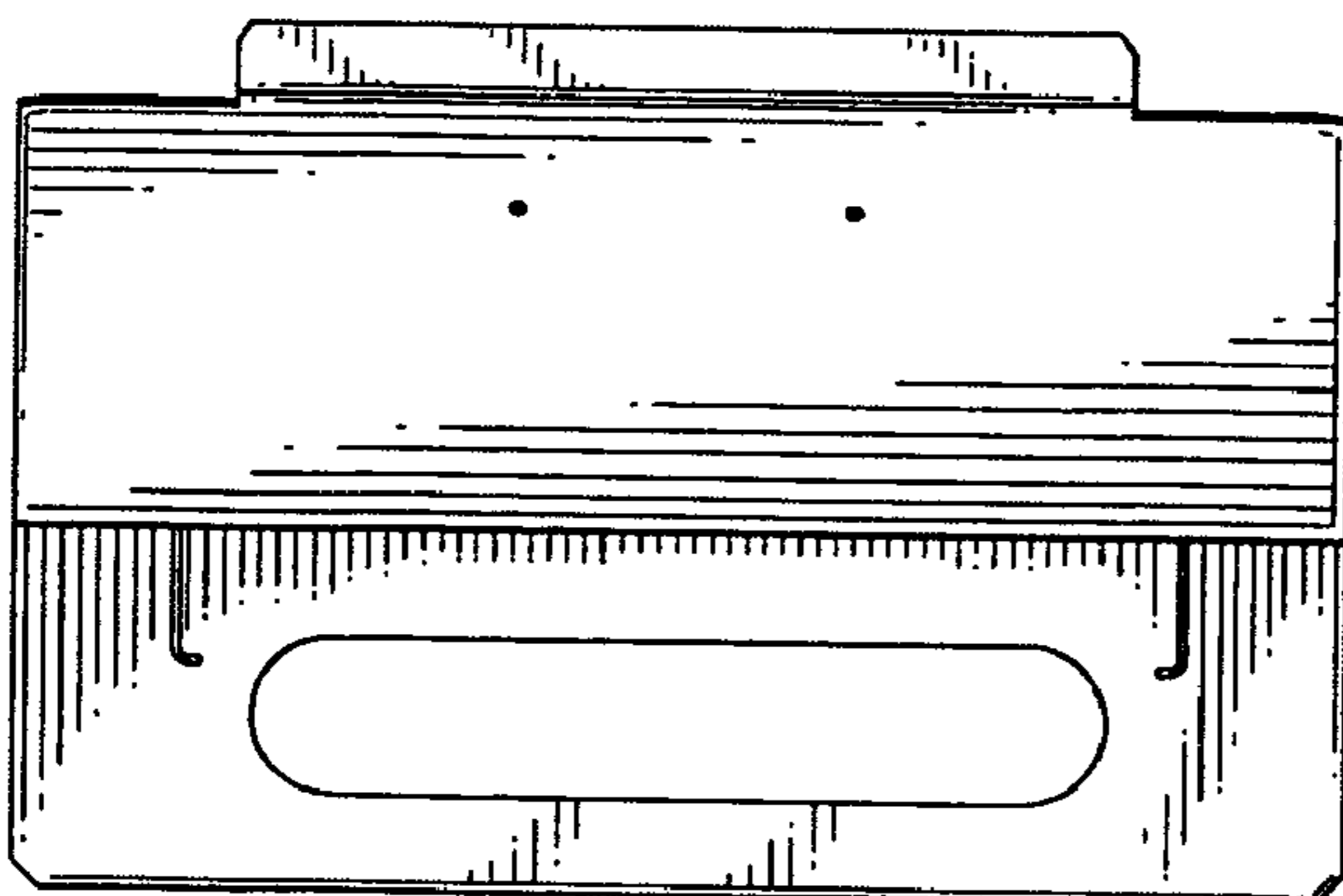


FIG. 3

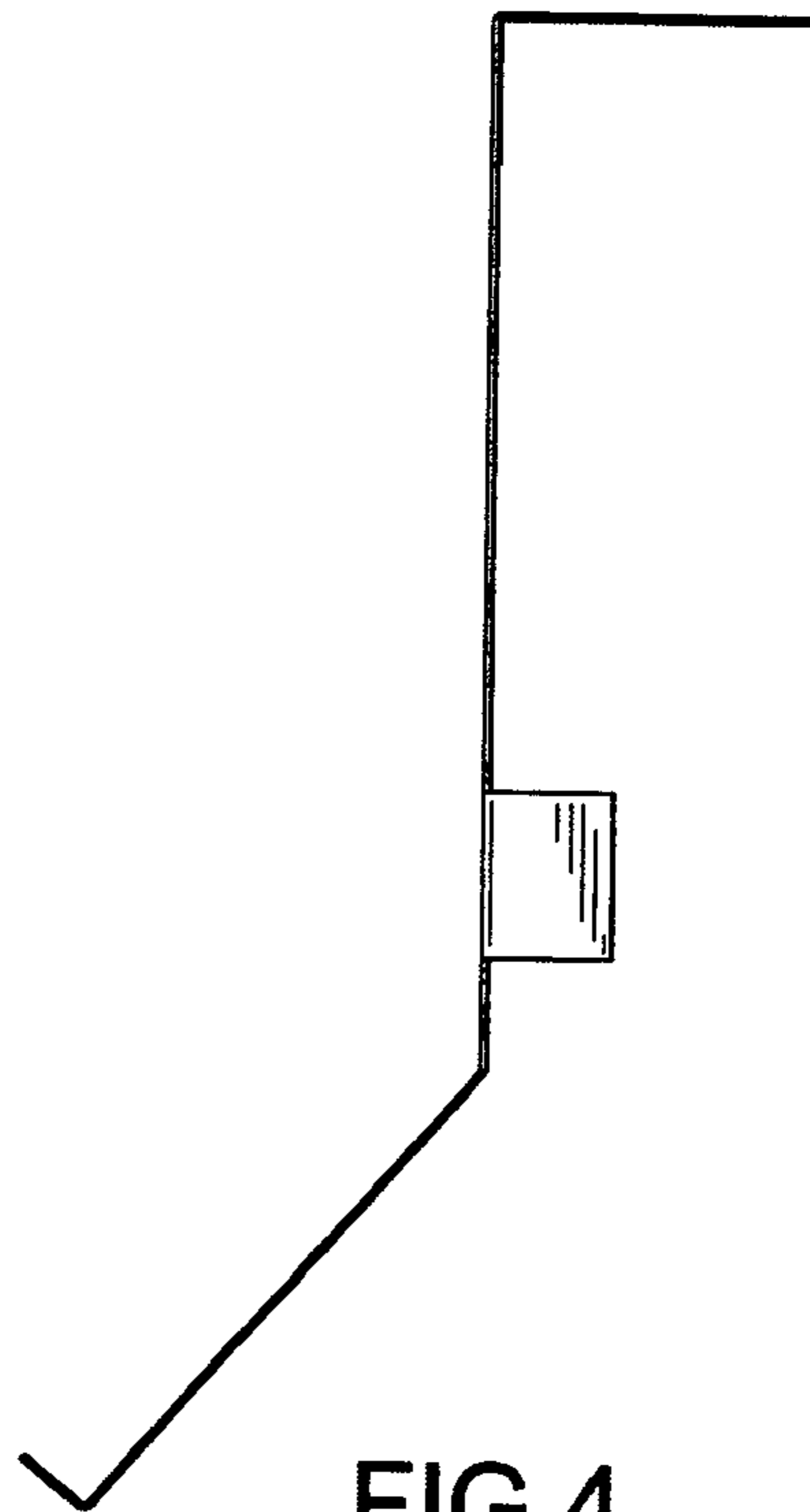


FIG. 4

