



US00D547243S

(12) **United States Design Patent**
Matsumura et al.

(10) **Patent No.:** **US D547,243 S**
(45) **Date of Patent:** **** Jul. 24, 2007**

(54) **UPPER BRACKET FOR A MOTORCYCLE**

(75) Inventors: **Norikazu Matsumura**, Akashi (JP);
Kouta Hirano, Akashi (JP)

(73) Assignee: **Kawasaki Jukogyo Kabushiki Kaisha**,
Hyogo (JP)

(**) Term: **14 Years**

(21) Appl. No.: **29/251,247**

(22) Filed: **Jan. 5, 2006**

(30) **Foreign Application Priority Data**

Aug. 15, 2005 (JP) 2005-023665

(51) **LOC (8) Cl.** **12-11**

(52) **U.S. Cl.** **D12/118; D12/223**

(58) **Field of Classification Search** D12/110,
D12/114, 117, 118, 223; 180/219; 280/276-280,
280/281.1, 274

See application file for complete search history.

(56) **References Cited**

U.S. PATENT DOCUMENTS

D305,749 S * 1/1990 Jorgensen D12/117
5,715,903 A * 2/1998 Summers et al. 180/219

OTHER PUBLICATIONS

Chrome Specialties Inc. 2001 catalog, fork braces and Tweek Bar on p. 489.*

* cited by examiner

Primary Examiner—Alan P. Douglas

Assistant Examiner—Linda Brooks

(57) **CLAIM**

The ornamental design for an upper bracket for a motorcycle, as shown and described.

DESCRIPTION

FIG. 1 is a front elevational view of a upper bracket for a motorcycle showing our new design;

FIG. 2 is a left side elevational view thereof;

FIG. 3 is a right side elevational view thereof;

FIG. 4 is a top plan view thereof;

FIG. 5 is a bottom plan view thereof; and,

FIG. 6 is a perspective view thereof.

The broken line showing of the environment is for illustrative purposes only and forms no part of the claimed designs.

1 Claim, 2 Drawing Sheets

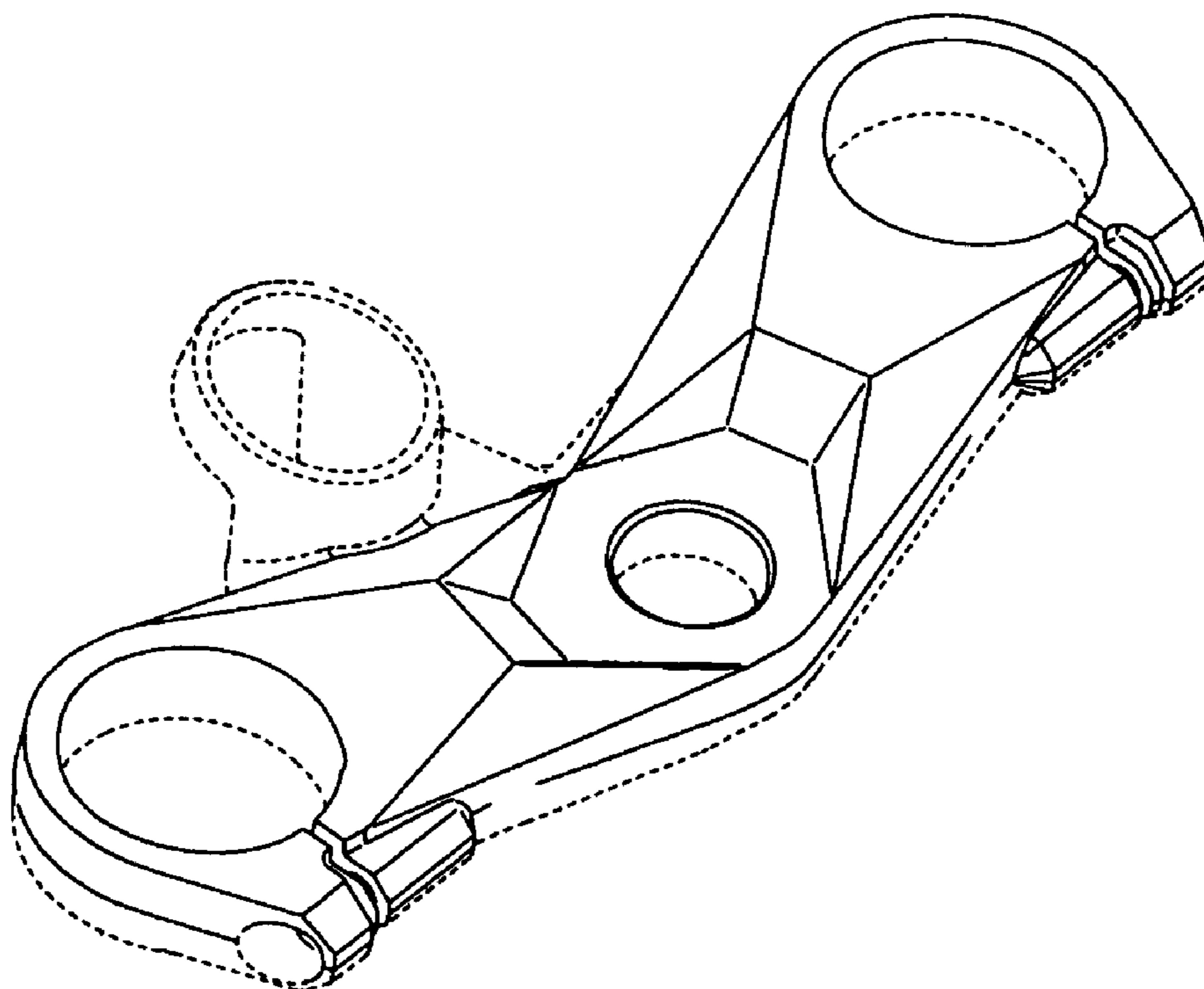


Fig. 1

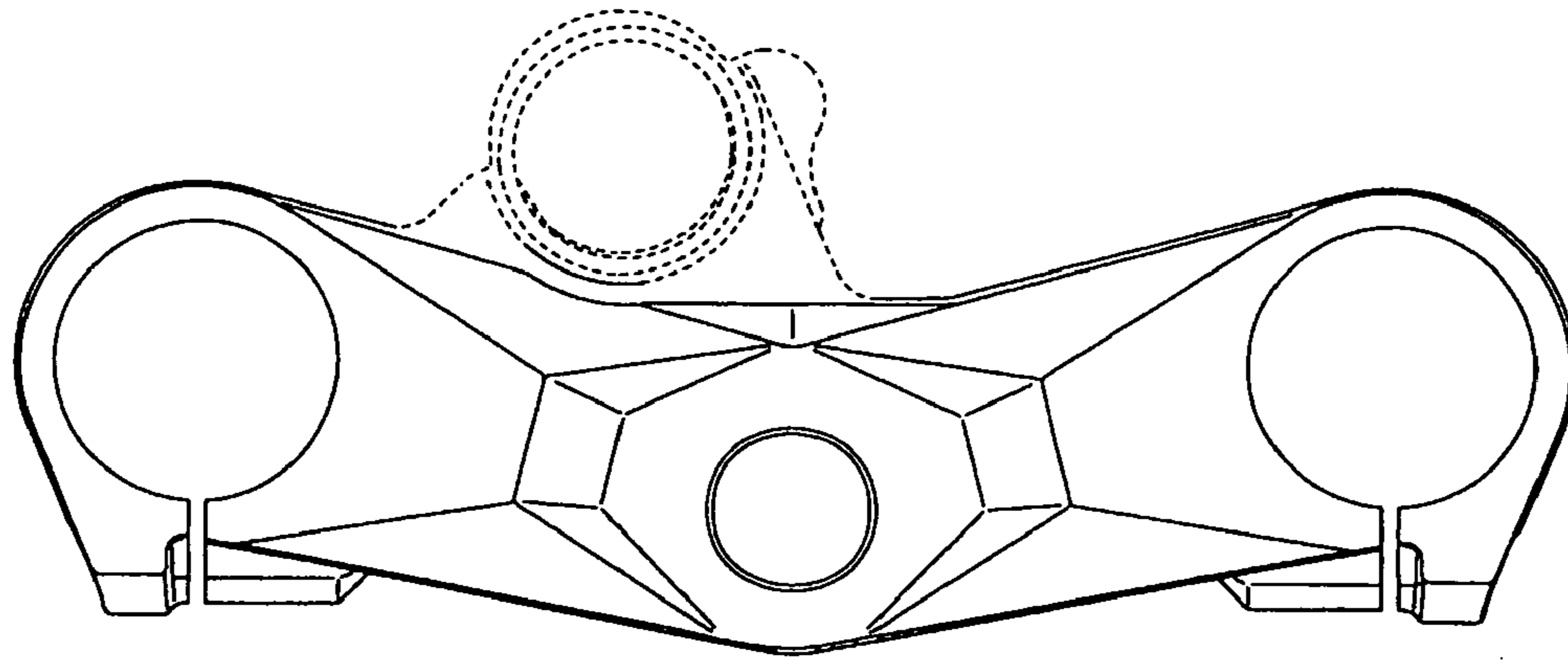


Fig. 2

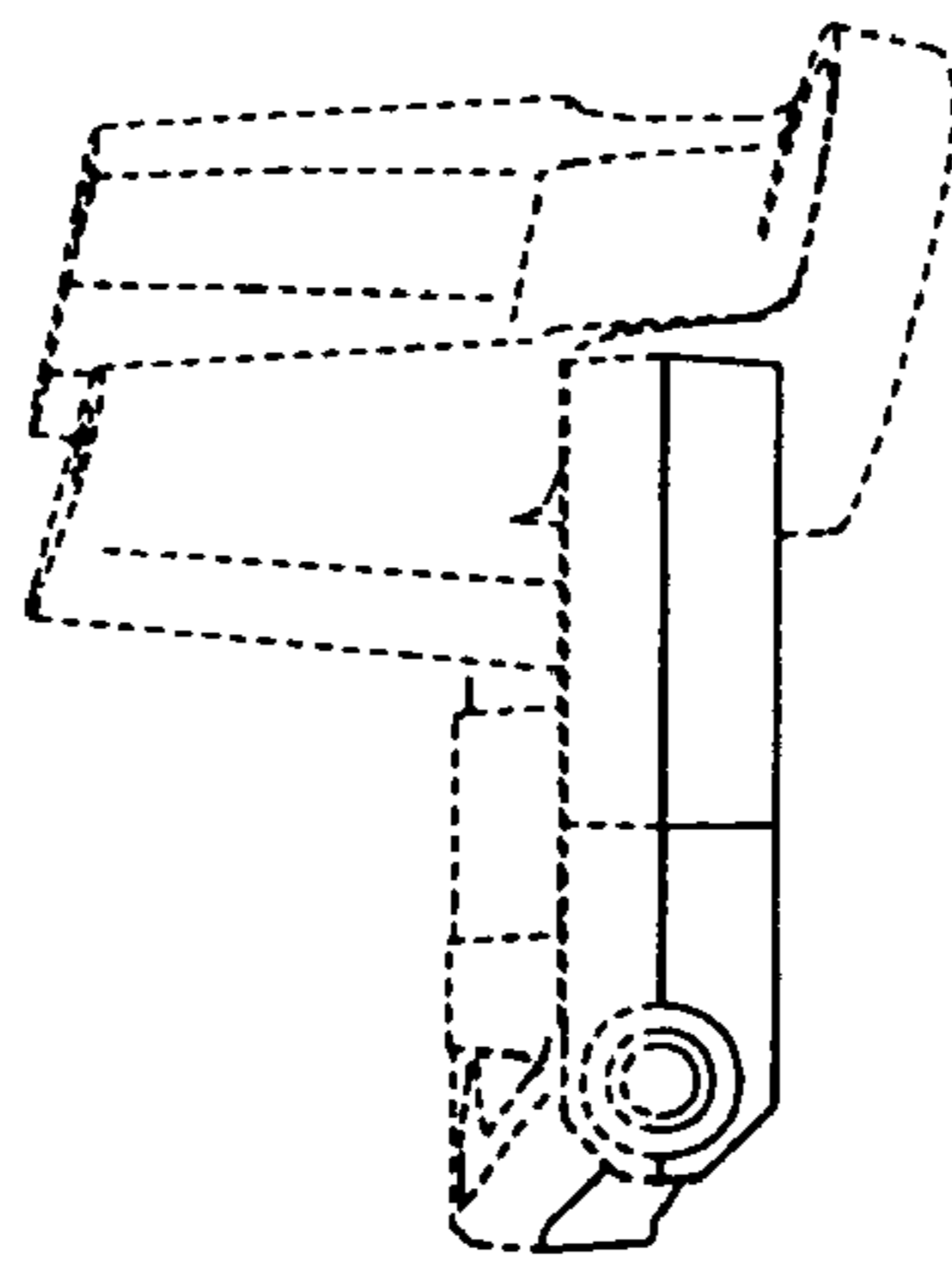


Fig. 3

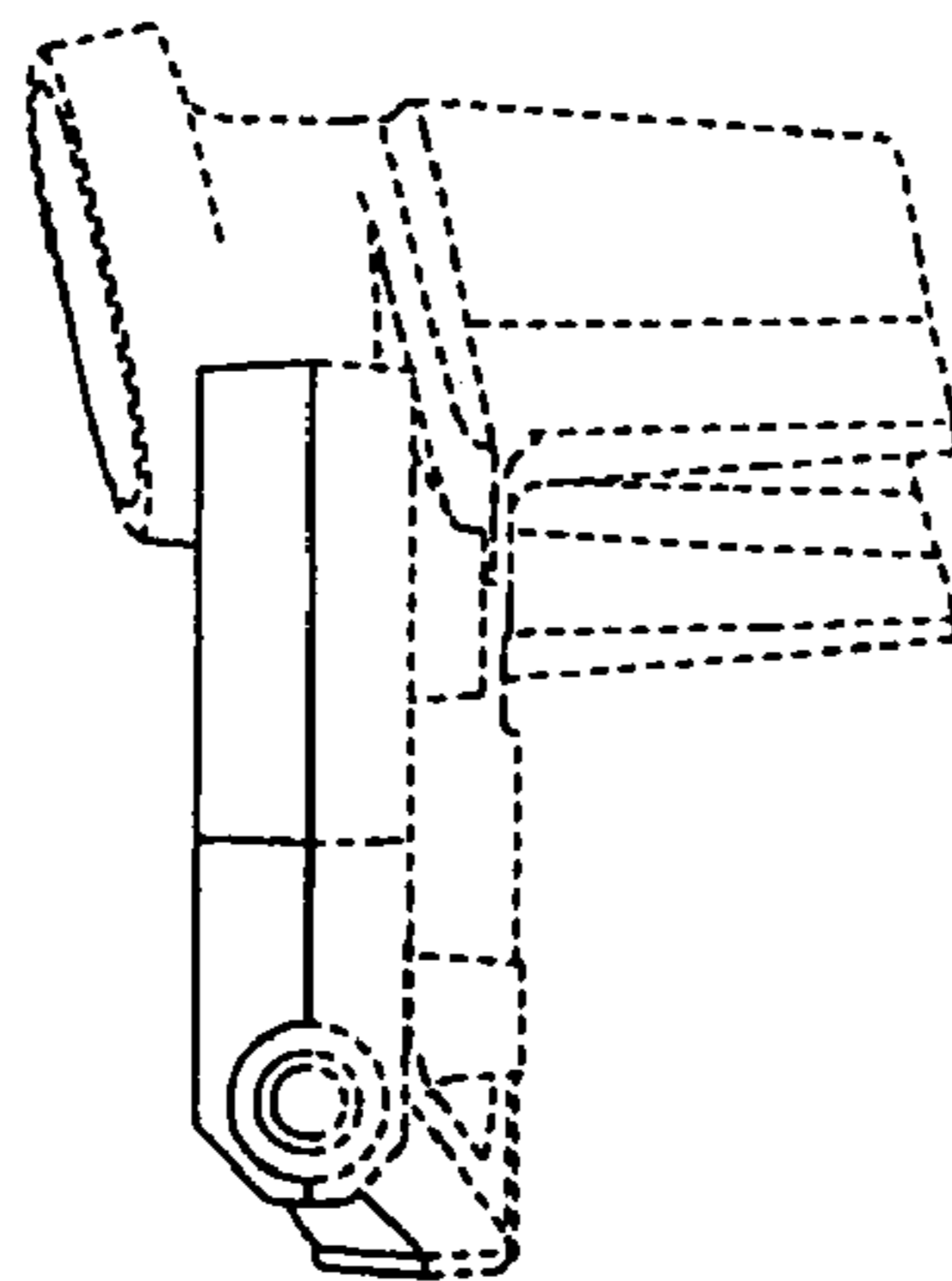


Fig. 4

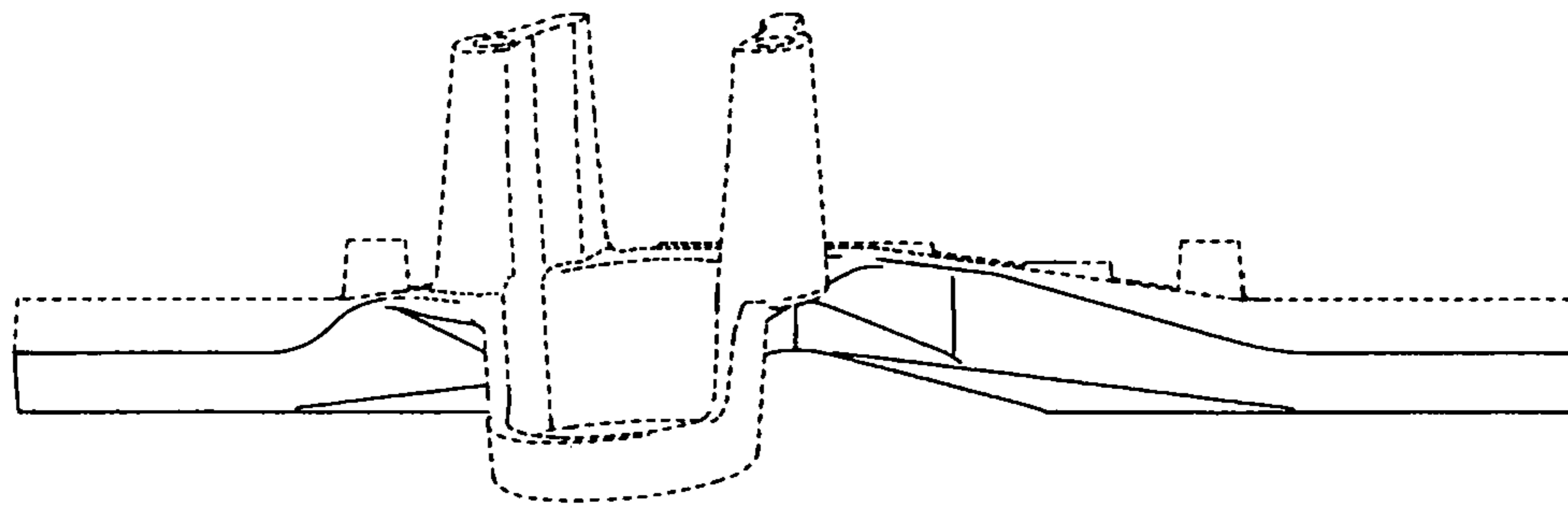


Fig. 5

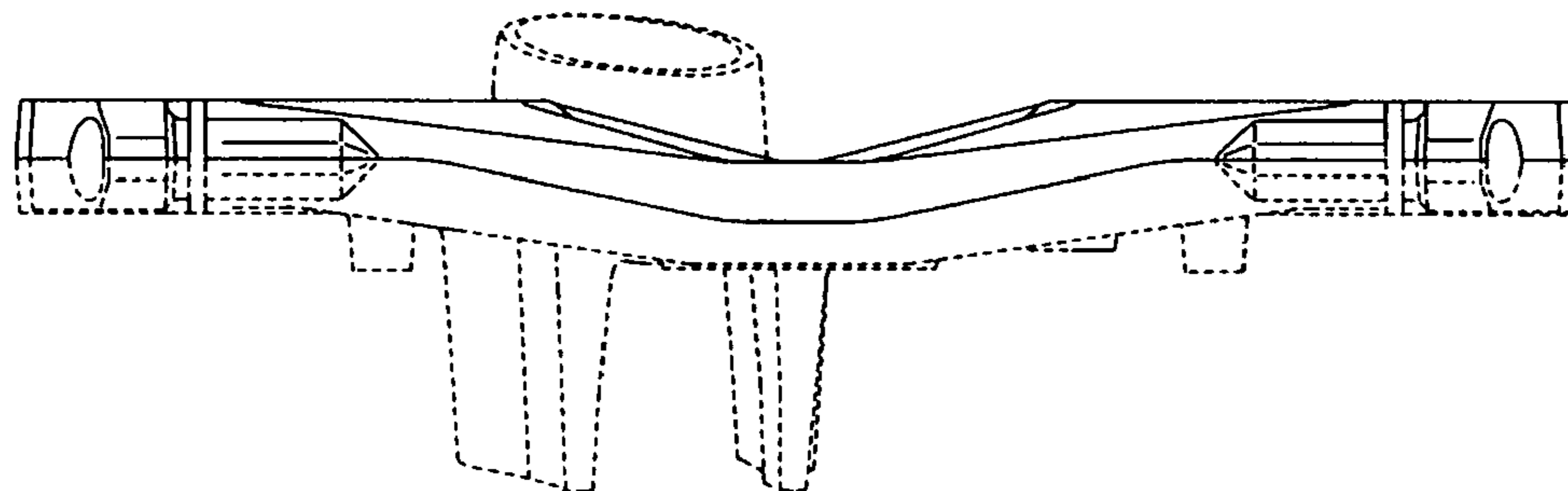


Fig. 6

