

US00D547241S

(12) **United States Design Patent**
Dornbusch

(10) **Patent No.:** **US D547,241 S**

(45) **Date of Patent:** **** Jul. 24, 2007**

(54) **EXTERIOR SURFACE OF A REAR WHEEL
UNIT FOR A MOTORCYCLE TO TRICYCLE
CONVERSION KIT**

D263,693 S	4/1982	Kaiser et al.	
D268,923 S	5/1983	Mann	
D281,963 S	12/1985	Watanabe	
D287,835 S	1/1987	Makita et al.	
D386,469 S	11/1997	Lehman	
D427,943 S	7/2000	Lehman	
D502,893 S *	3/2005	Matthies D12/110

(75) **Inventor:** **Larry Dornbusch**, 22 W. 131 Glen
Park Rd., Glen Ellyn, IL (US) 60137

(73) **Assignee:** **Larry Dornbusch**, Glen Ellyn, IL (US)

(**) **Term:** **14 Years**

(21) **Appl. No.:** **29/240,424**

(22) **Filed:** **Oct. 11, 2005**

* cited by examiner

Primary Examiner—Alan P. Douglas

Assistant Examiner—Linda Brooks

(74) *Attorney, Agent, or Firm*—Nicholas C. Hopman

Related U.S. Application Data

(63) Continuation of application No. 29/179,470, filed on
Apr. 11, 2003, now abandoned.

(51) **LOC (8) Cl.** **12-11**

(52) **U.S. Cl.** **D12/110**

(58) **Field of Classification Search** D12/85,
D12/107, 110, 112, 181; 180/209, 210, 215,
180/217, 219; 280/282, 283, 284, 288.1,
280/288.2, 288.3, 288.4; 296/78.1, 193.08
See application file for complete search history.

(56) **References Cited**

U.S. PATENT DOCUMENTS

D175,745 S	10/1955	Schreckengost
D184,235 S	1/1959	Mann
D233,031 S	10/1974	Roth
4,287,960 A	9/1981	McConnell

(57) **CLAIM**

The ornamental design for an exterior surface of a rear wheel
unit for a motorcycle to tricycle conversion kit, as shown
and described.

DESCRIPTION

FIG. 1 is a right side perspective view of an exterior surface
of a rear wheel unit for a motorcycle to tricycle conversion
kit showing my new design, the corresponding perspective
view from the left side being a mirror image thereof;

FIG. 2 is a right side elevation;

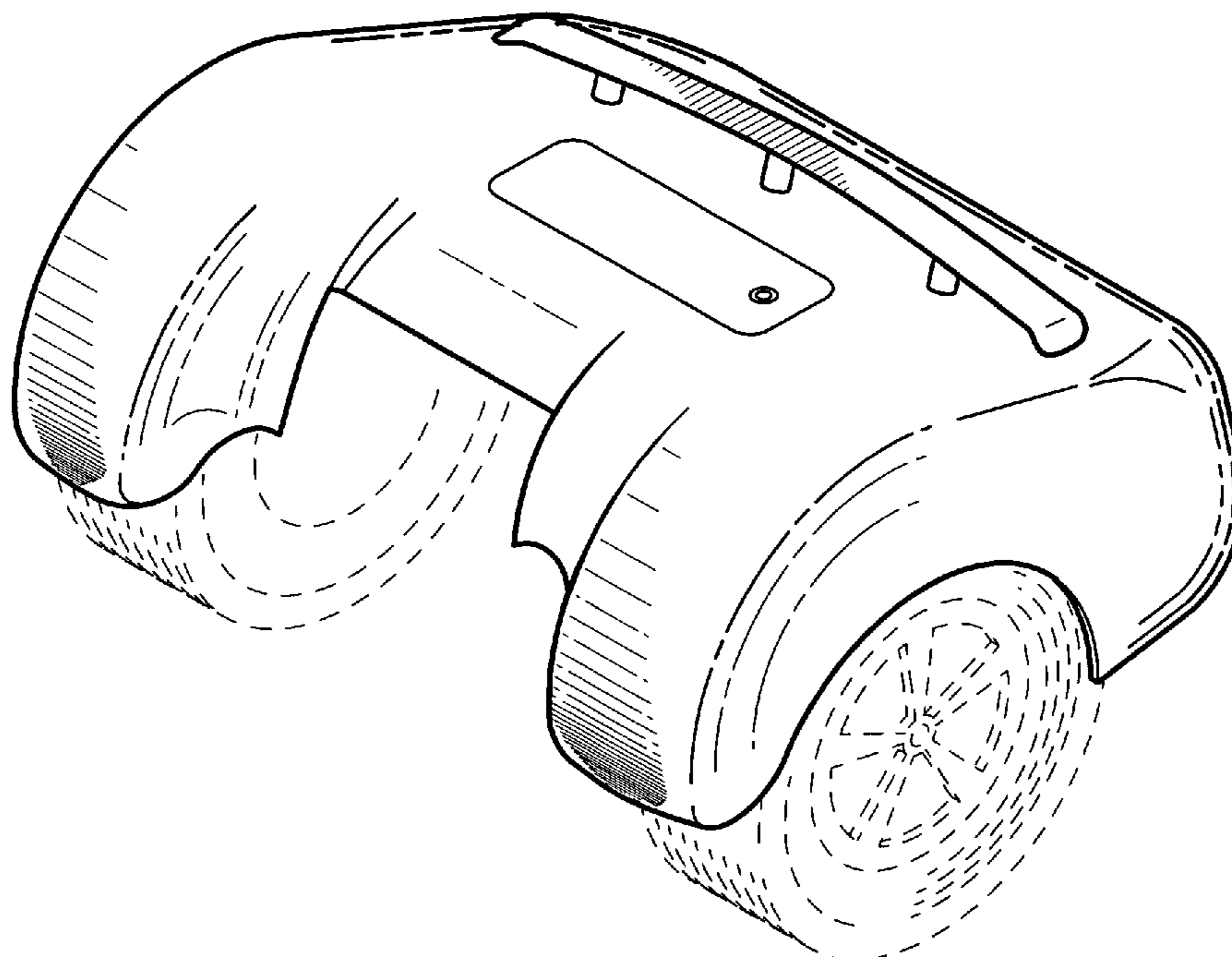
FIG. 3 is a left side elevation;

FIG. 4 is a rear elevation view; and,

FIG. 5 is a top plan view.

The broken lines shown in FIGS. 1–5 are for illustrative
purposes only and form no part of the claimed design.

1 Claim, 5 Drawing Sheets



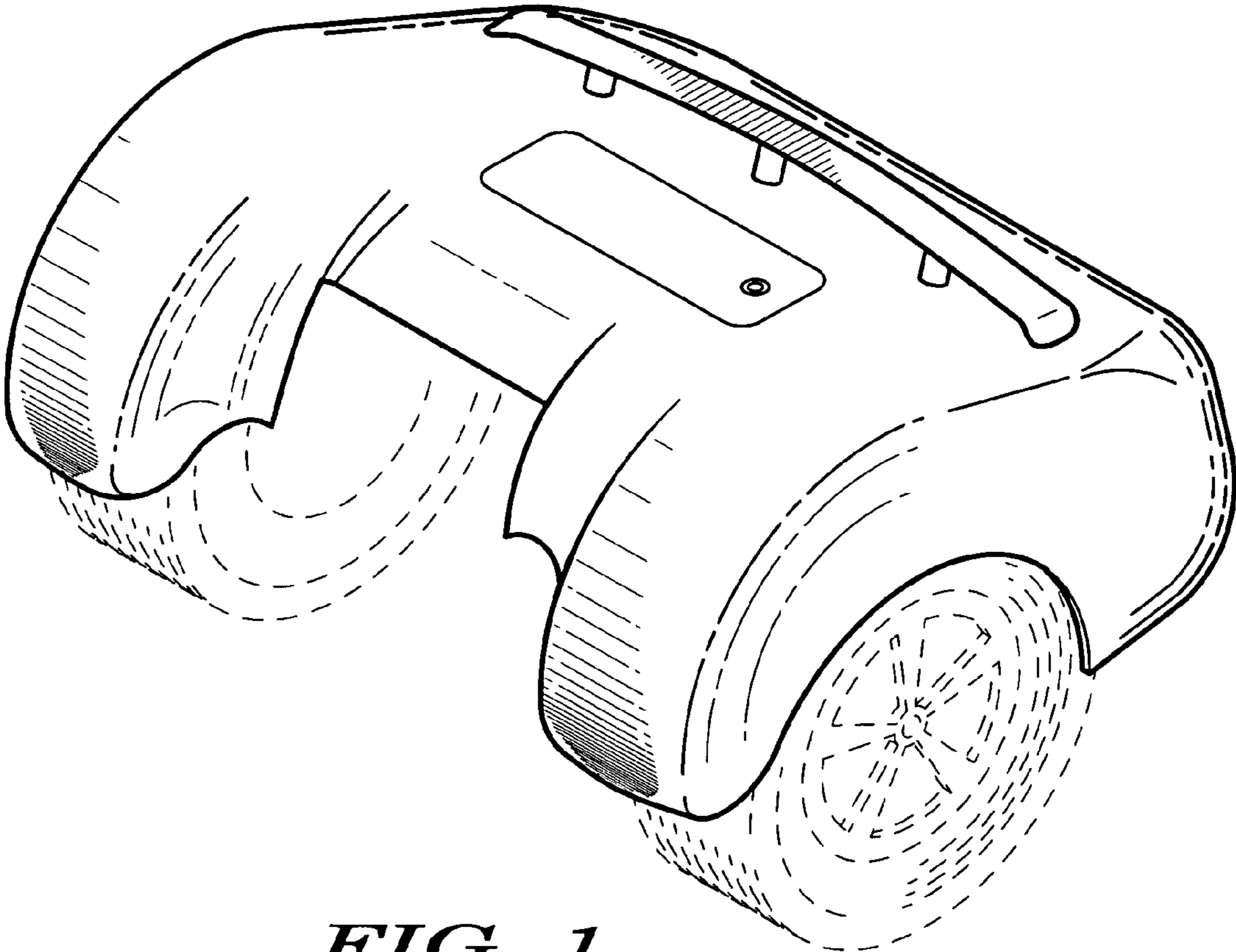


FIG. 1

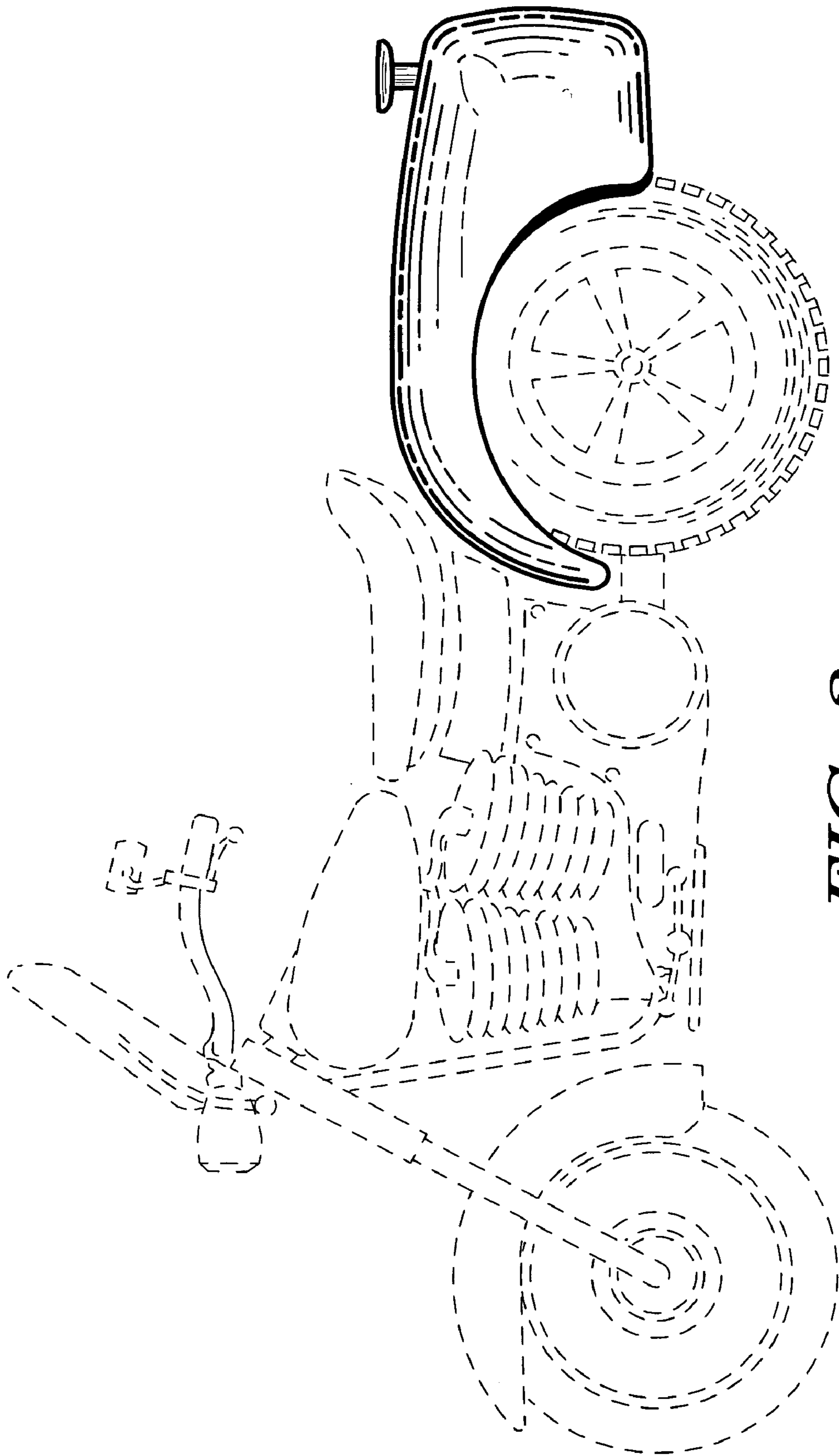


FIG. 2

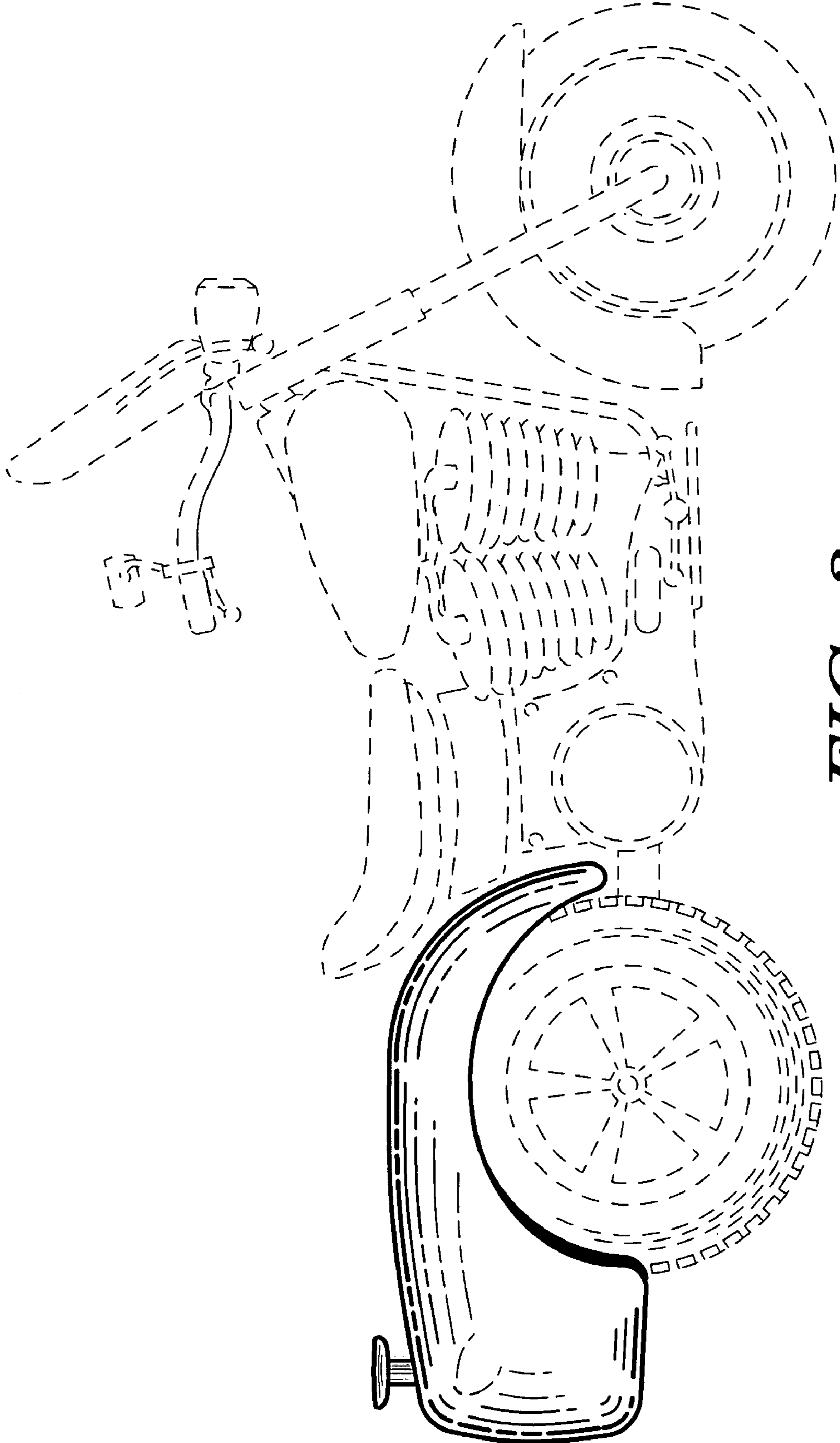


FIG. 3

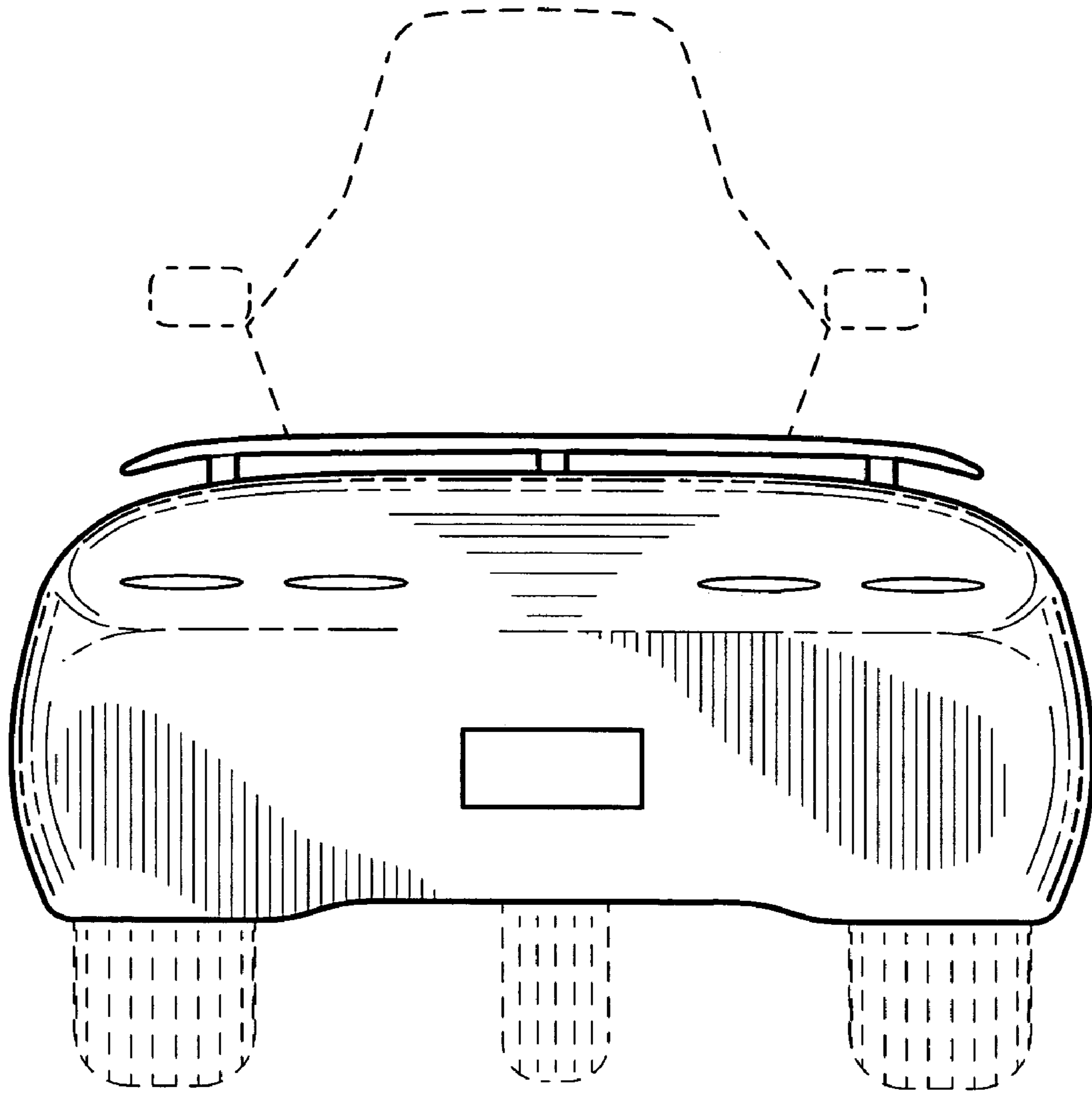


FIG. 4

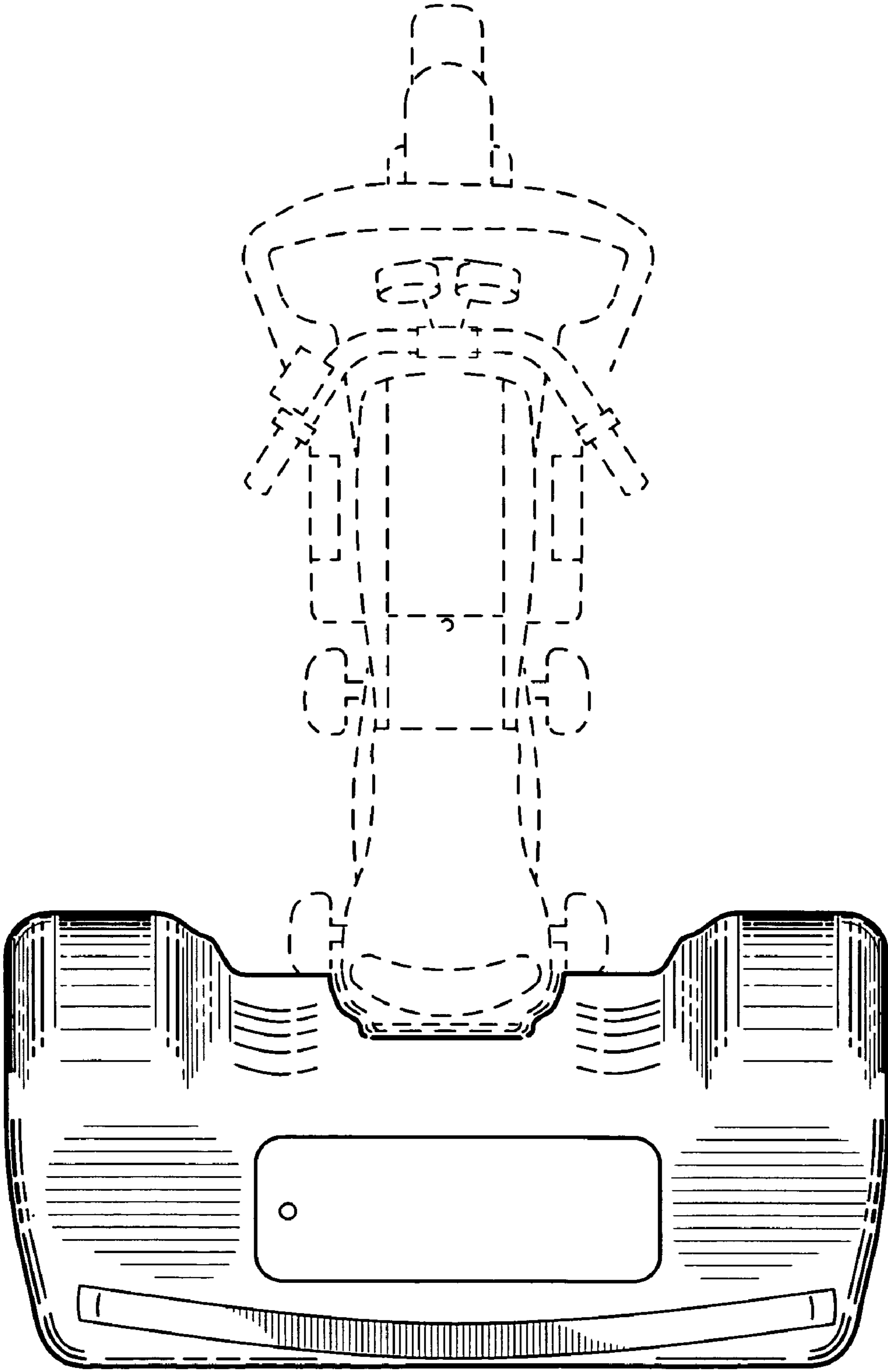


FIG. 5