



US00D547235S

(12) **United States Design Patent**
Stanton et al.

(10) **Patent No.:** **US D547,235 S**
(45) **Date of Patent:** **** Jul. 24, 2007**

(54) **DECORATIVE PLANTER FOR A CYCLONE FENCE**

(76) Inventors: **Jack Stanton**, 8 Riverside Ave., Prospect Park, PA (US) 19076; **Job H. Stanton**, 2014 Parker Ave., Apt. B, Holmes, PA (US) 19043

(**) Term: **14 Years**

(21) Appl. No.: **29/236,180**

(22) Filed: **Aug. 12, 2005**

(51) **LOC (8) Cl.** **11-02**

(52) **U.S. Cl.** **D11/156; D6/556**

(58) **Field of Classification Search** D11/142-156; D6/553, 556-558; D7/516, 549, 562; D19/75, D19/77, 80-82, 84; D26/9, 16; 47/32.7, 47/33, 39, 41.01, 41.1, 41.12, 41.13, 41.15, 47/65.5, 66.6, 66.7, 67-71; 215/382; 220/568, 220/574

See application file for complete search history.

(56) **References Cited**

U.S. PATENT DOCUMENTS

4,896,456 A * 1/1990 Grant 47/67

D306,944 S * 4/1990 Urena D6/513
D332,679 S * 1/1993 Hines D6/515
D355,791 S * 2/1995 Briley D6/553
D365,232 S * 12/1995 Briault D11/156
D376,893 S * 12/1996 Gornet D11/156
5,664,367 A * 9/1997 Huang 47/39
D416,421 S * 11/1999 Hampshire D6/553
D419,350 S * 1/2000 Baron D6/553
D485,307 S * 1/2004 Sheldon et al. D19/75
D486,022 S * 2/2004 Shamoan D6/553
2002/0144460 A1 * 10/2002 Ebmeyer et al. 47/65.5

* cited by examiner

Primary Examiner—Robert M. Spear
Assistant Examiner—Garth Rademaker

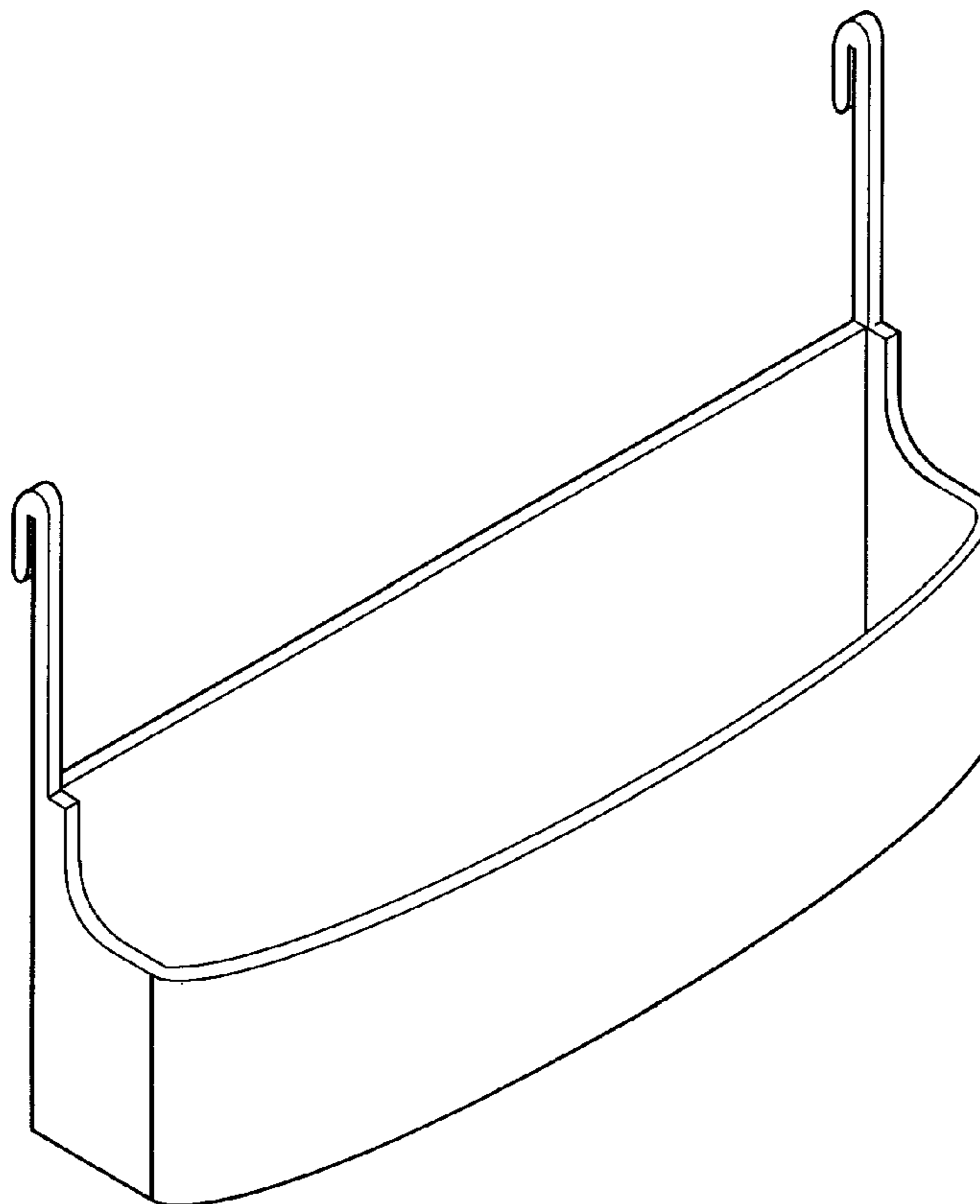
(57) **CLAIM**

The ornamental design for a decorative planter for a cyclone fence, as shown and described.

DESCRIPTION

FIG. 1 is a front and top perspective view of a decorative planter for a cyclone fence, showing our new design; and, FIG. 2 is a left side elevation view thereof.

1 Claim, 1 Drawing Sheet



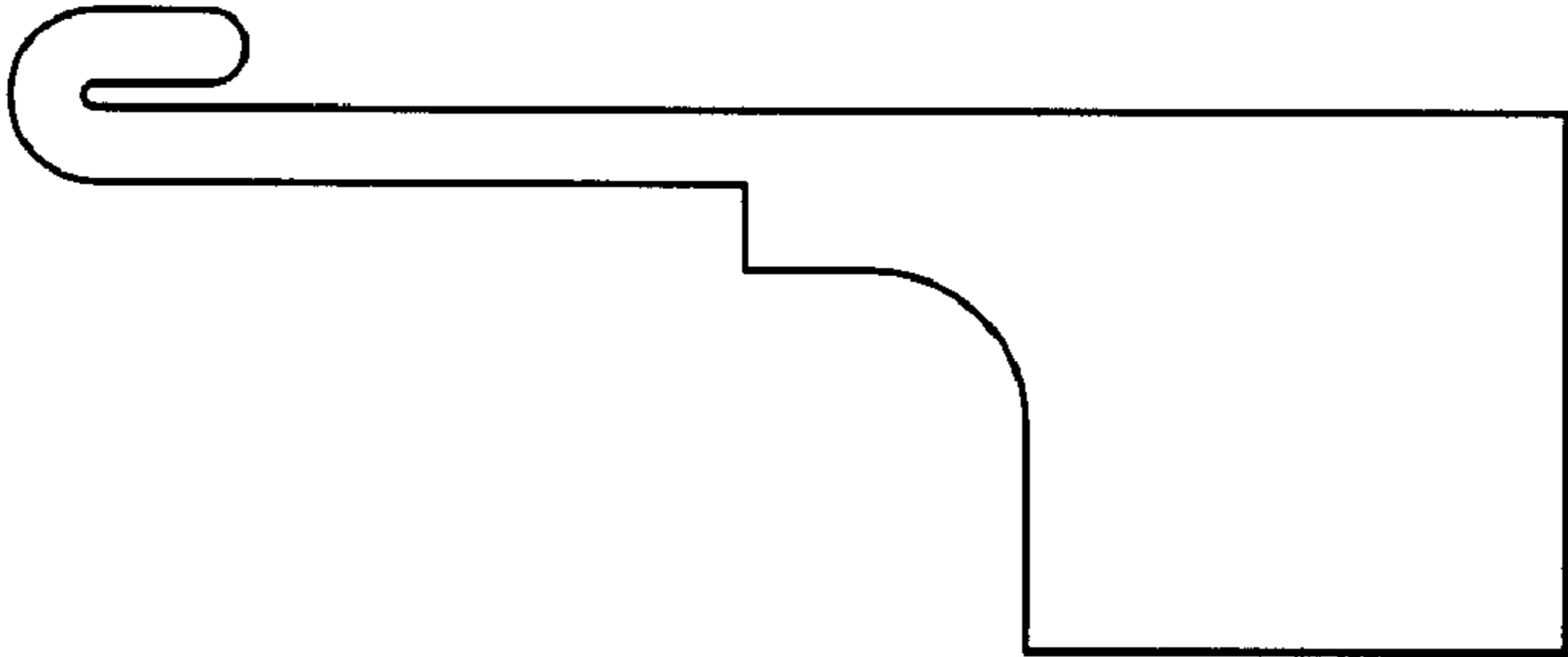


FIG. 2

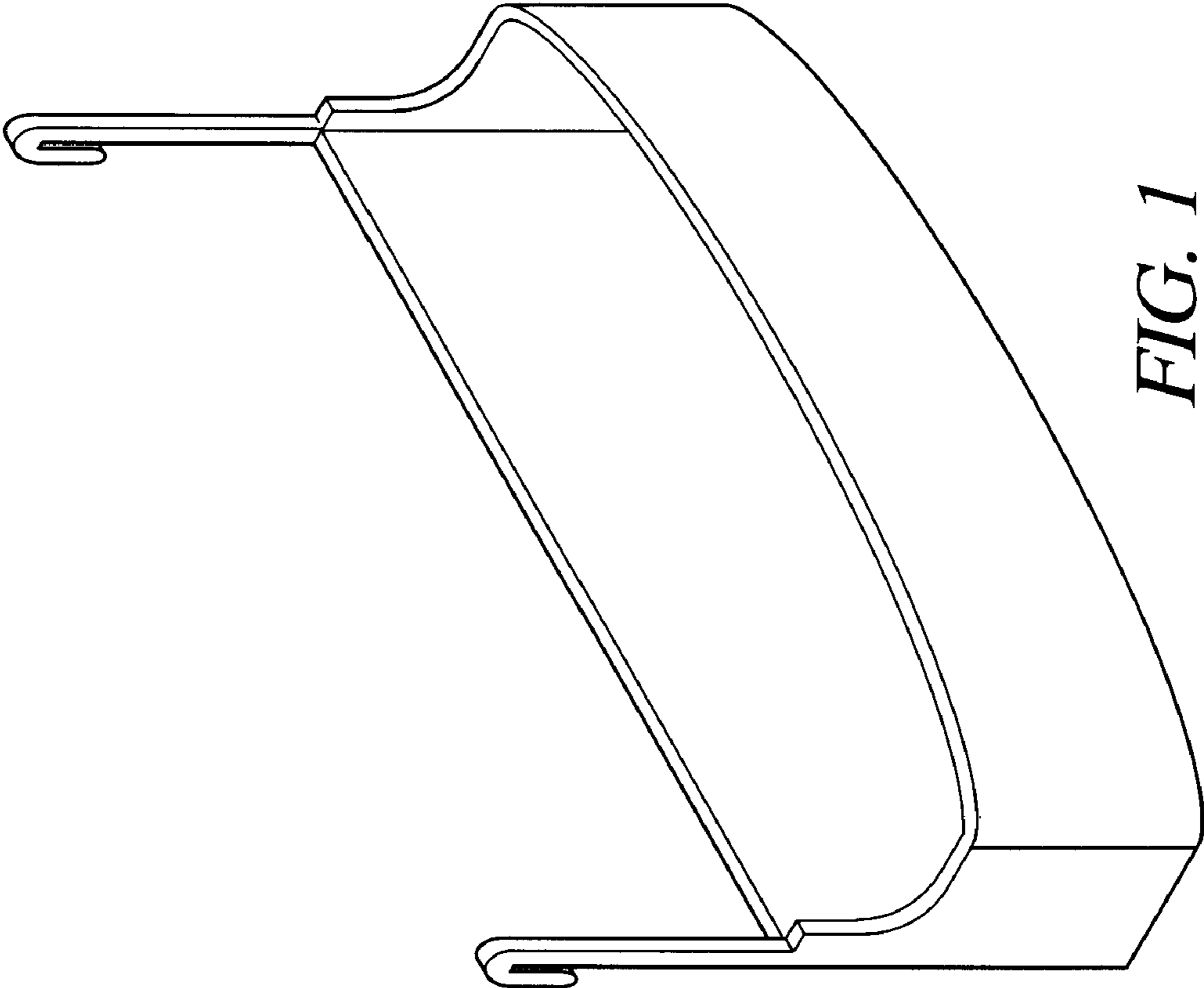


FIG. 1