



US00D547222S

(12) **United States Design Patent**
Wilson et al.

(10) **Patent No.:** **US D547,222 S**
(45) **Date of Patent:** **** Jul. 24, 2007**

(54) **MOTION SENSOR LIGHT FOR A RECREATIONAL VEHICLE**

(76) Inventors: **Gregg Wilson**, 576 S. Central Pkwy., Mt. House, CA (US) 95391; **Sheila Wilson**, 576 S. Central Pkwy., Mt. House, CA (US) 95391

(**) Term: **14 Years**

(21) Appl. No.: **29/263,712**

(22) Filed: **Jul. 27, 2006**

(51) **LOC (8) Cl.** **10-05**

(52) **U.S. Cl.** **D10/104**

(58) **Field of Classification Search** D10/104-121; 340/521, 540, 555, 556, 557, 565, 600, 628, 340/629, 630; 362/20, 259, 276; D26/51, D26/80, 85; D20/10; D12/163

See application file for complete search history.

(56) **References Cited**

U.S. PATENT DOCUMENTS

D357,997 S *	5/1995	Wegrzyn et al.	D26/85
D369,225 S *	4/1996	Sandell	D26/51
5,649,761 A *	7/1997	Sandell et al.	362/276
5,662,411 A *	9/1997	Haslam et al.	362/276
6,019,477 A *	2/2000	Wegrzyn et al.	362/20
6,142,649 A *	11/2000	Beghelli	362/259
D446,818 S *	8/2001	Kim	D20/10
D473,672 S *	4/2003	Lay et al.	D26/80
D507,373 S *	7/2005	Kim	D26/80
2006/0028821 A1 *	2/2006	Eaton	362/276

* cited by examiner

Primary Examiner—Robert M. Spear
Assistant Examiner—George D. Kirschbaum, Jr.
(74) *Attorney, Agent, or Firm*—Robert J. Schaap

(57) **CLAIM**

The design of a motion sensor light for a recreational vehicle, as shown.

DESCRIPTION

FIG. 1 is a perspective view of the motion sensor light for a recreational vehicle;

FIG. 2 is a front elevational view of the motion sensor light for a recreational vehicle in accordance with the present invention;

FIG. 3 is a top plan view of the motion sensor light for a recreational vehicle;

FIG. 4 is a bottom plan view of the motion sensor light for a recreational vehicle;

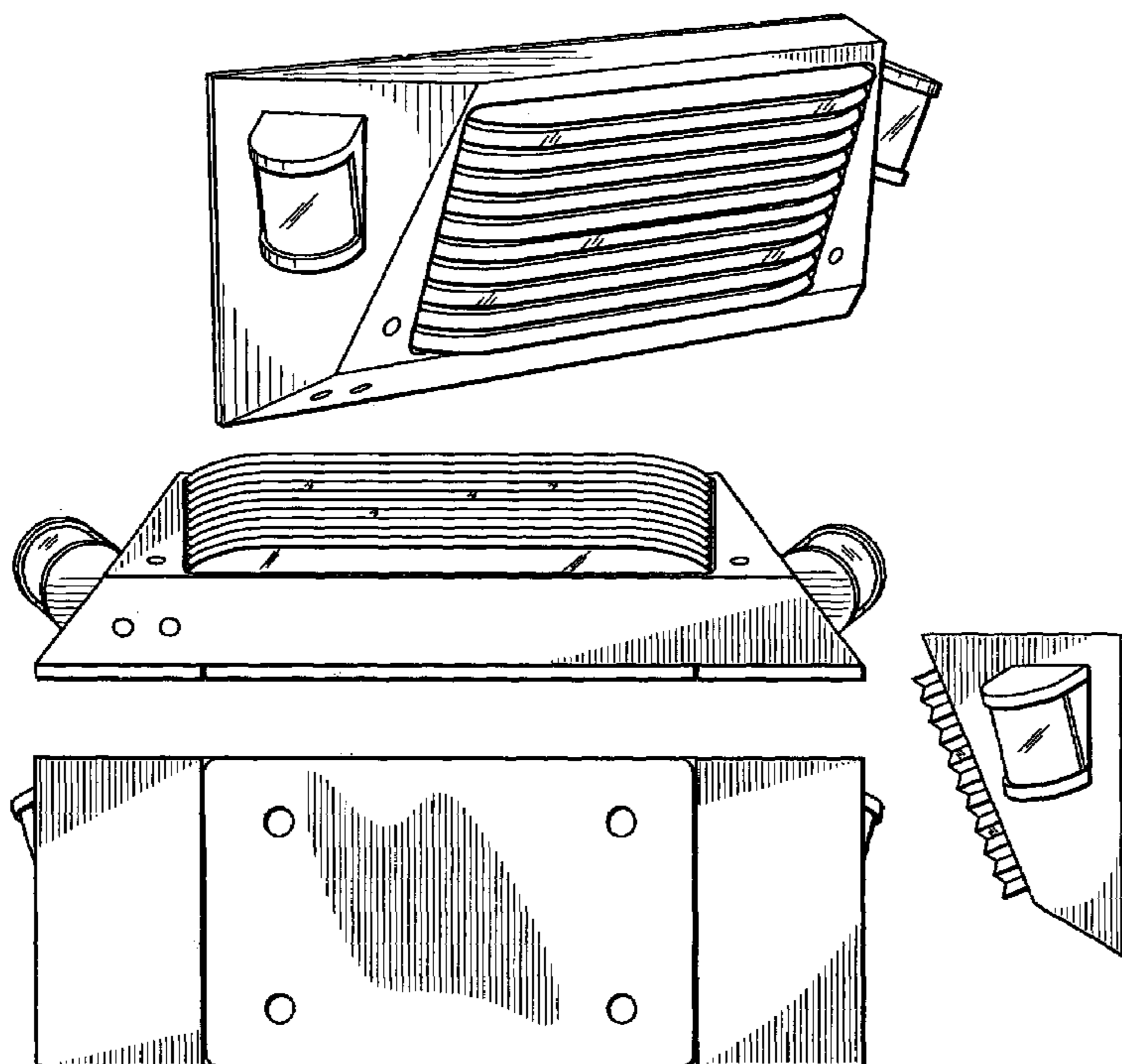
FIG. 5 is a rear elevational view of the motion sensor light for a recreational vehicle in accordance with the present invention;

FIG. 6 is a side elevational view of the motion sensor light for a recreational vehicle, with an opposite side elevational view being substantially a mirror image thereof; and,

FIG. 7 is a front elevational view of a recreational vehicle in dotted lines showing the motion sensor thereon and a light pattern generates therefrom.

The broken lines in the drawings represent unclaimed environmental subject matter.

1 Claim, 3 Drawing Sheets



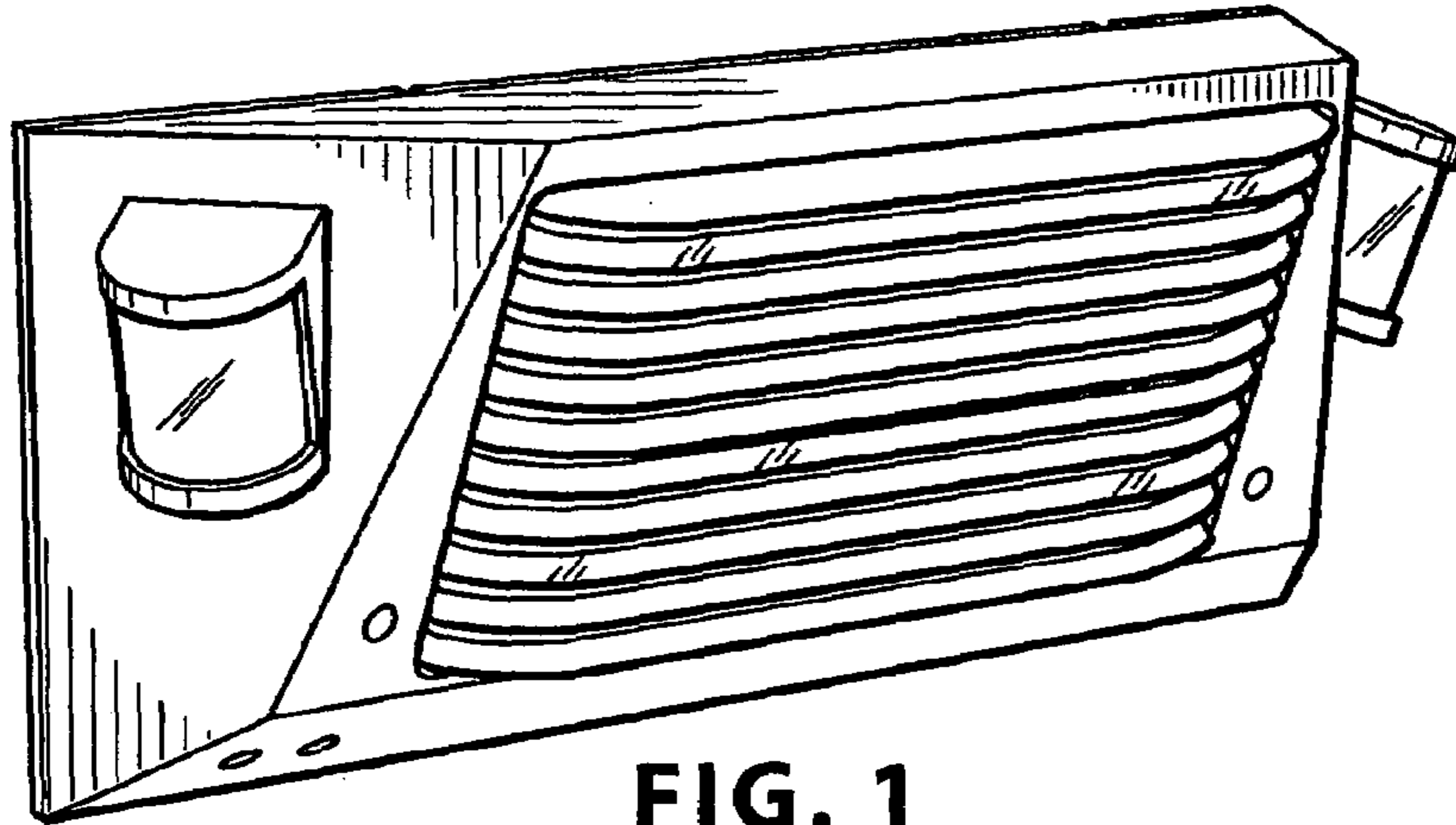


FIG. 1

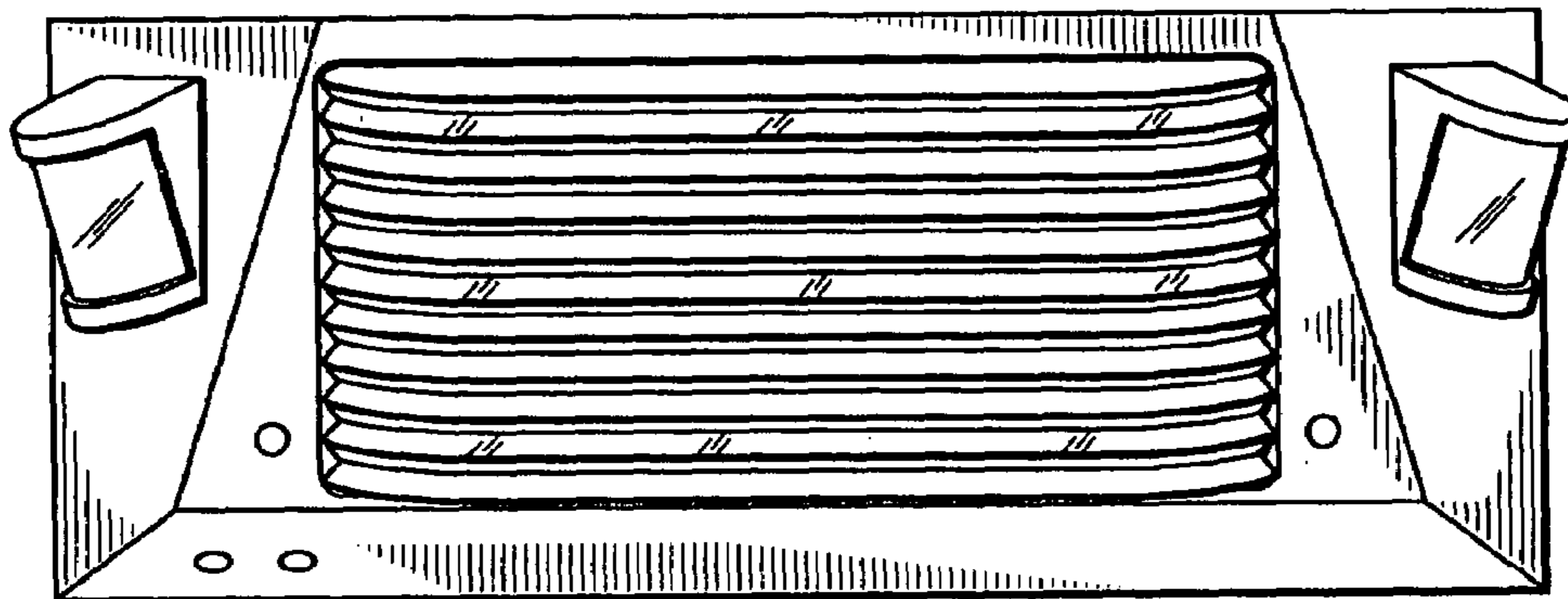


FIG. 2

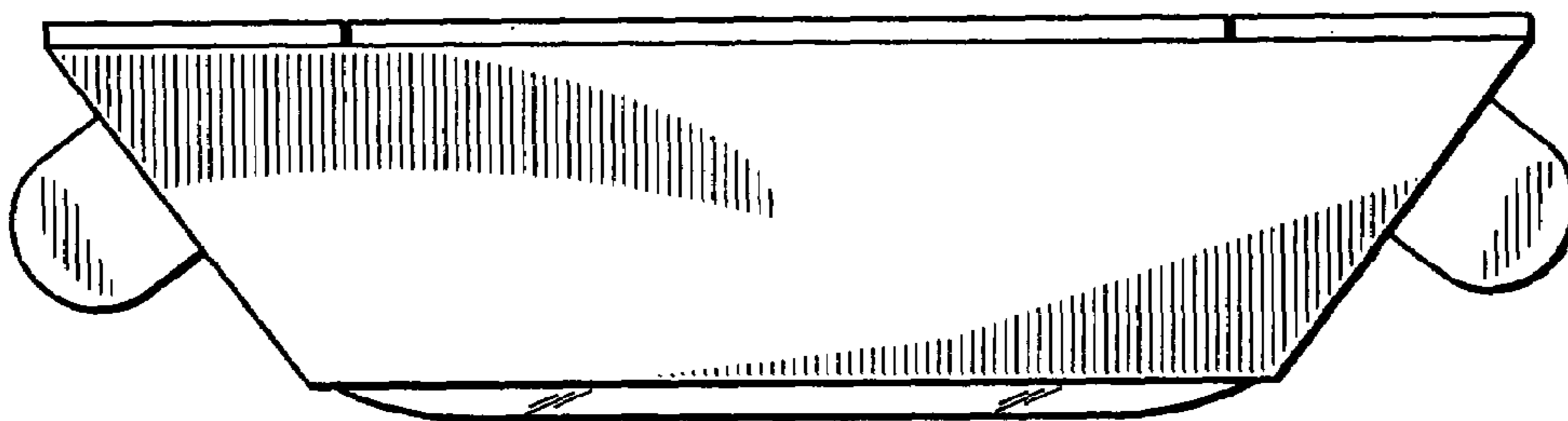


FIG. 3

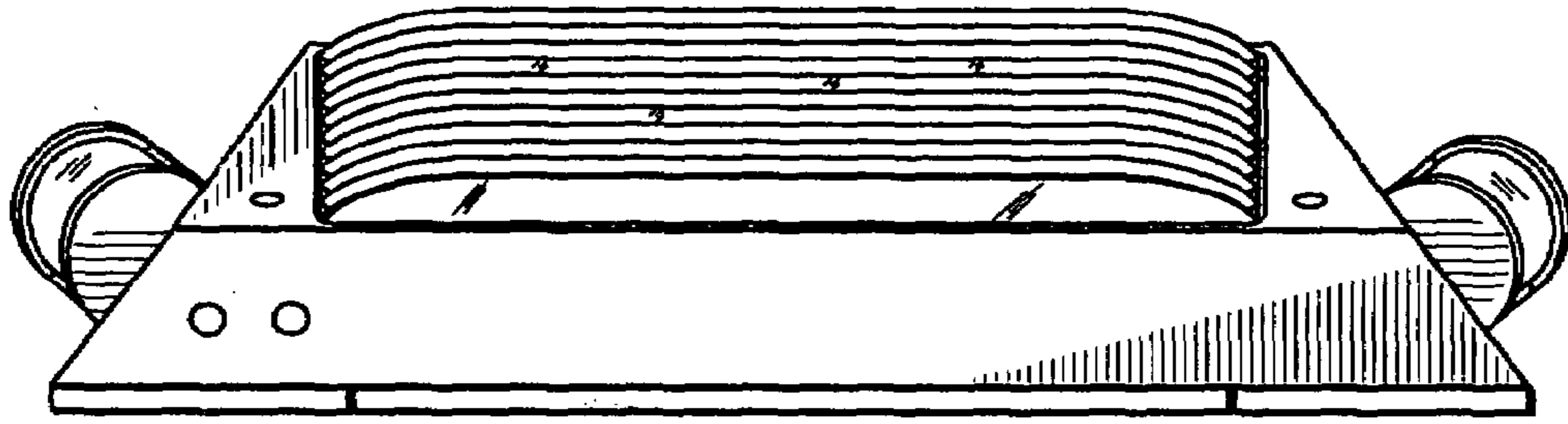


FIG. 4

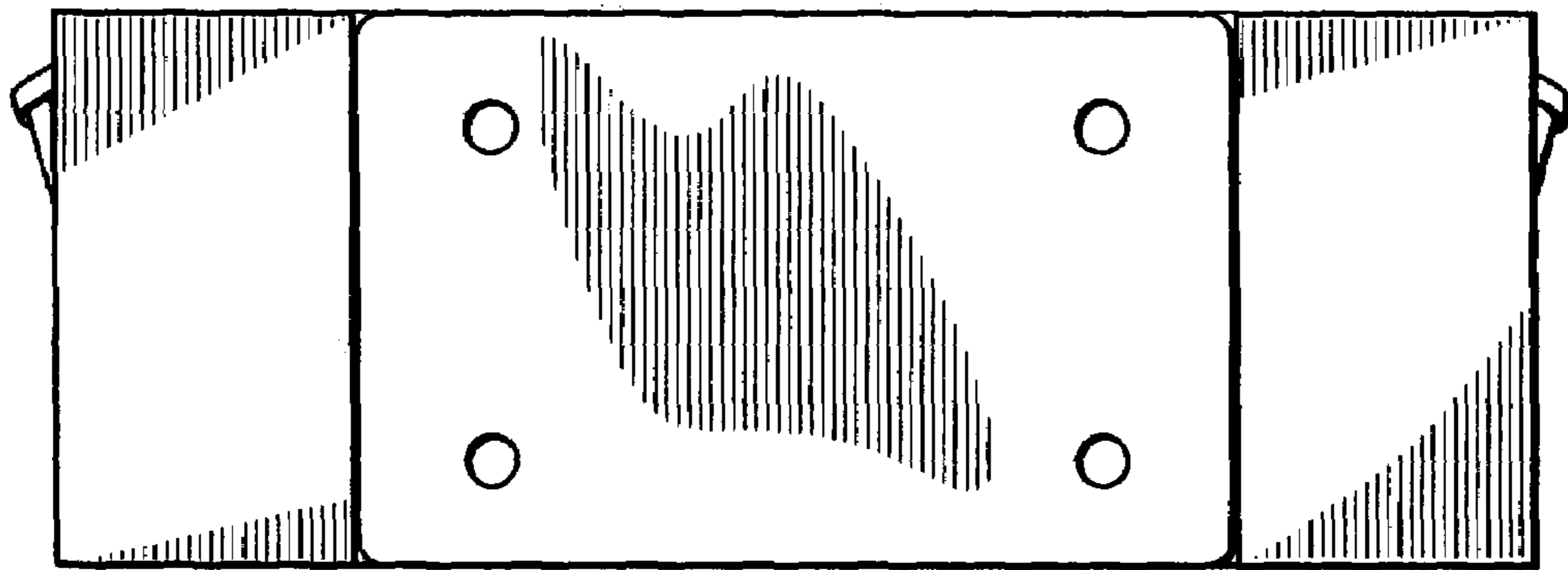


FIG. 5

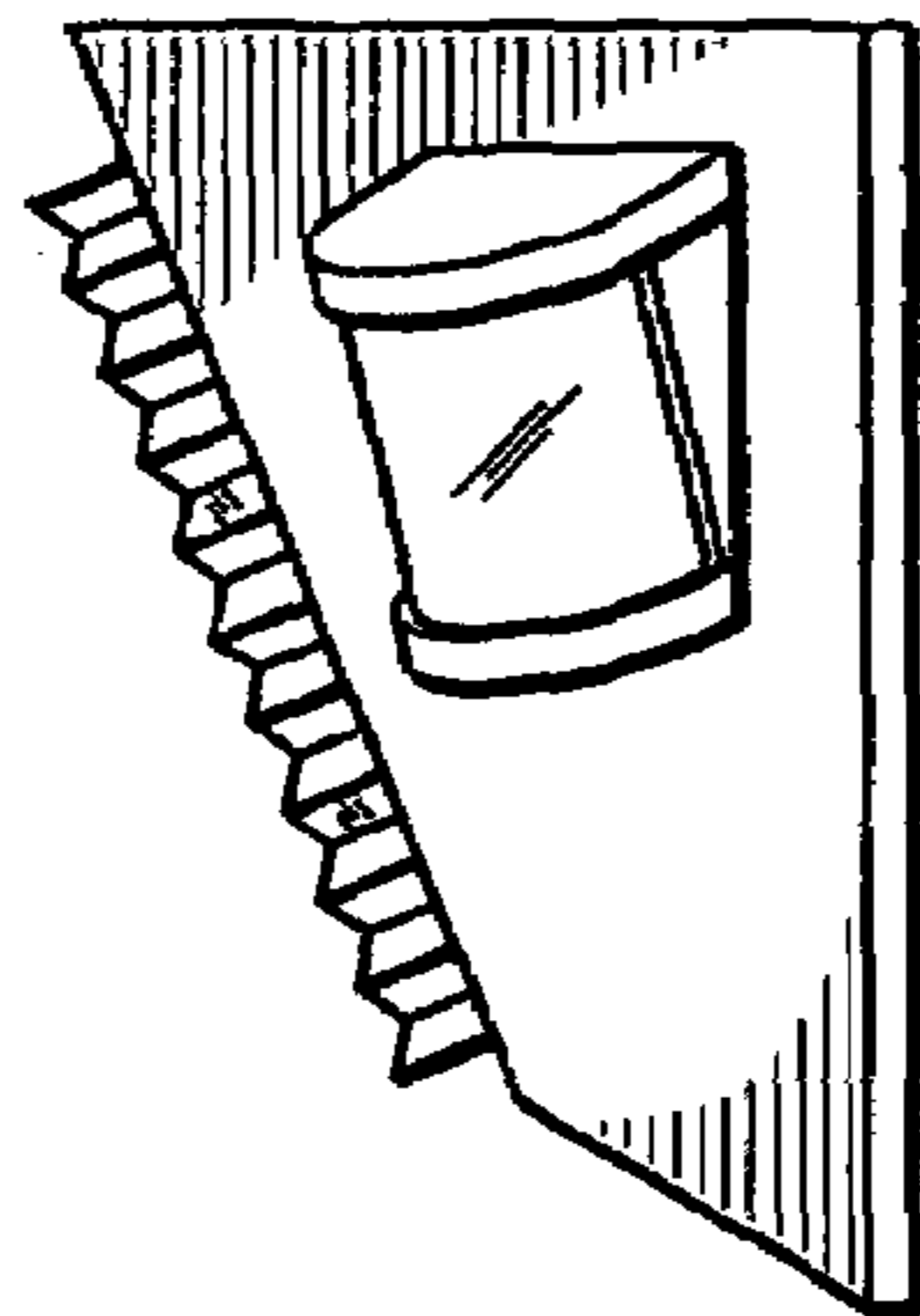


FIG. 6

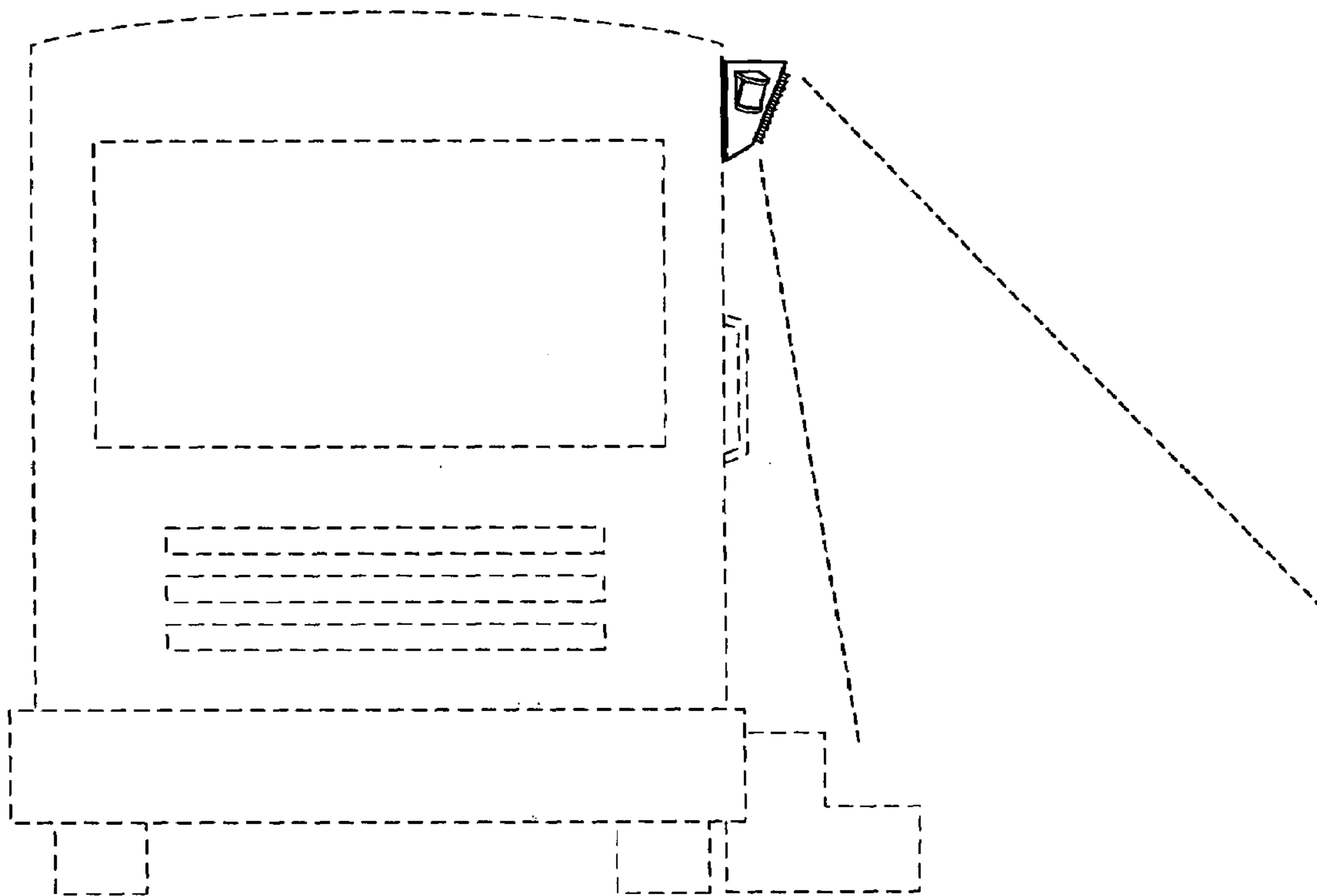


FIG. 7