



US00D547221S

(12) **United States Design Patent**
Raynal

(10) **Patent No.:** **US D547,221 S**
(45) **Date of Patent:** **** Jul. 24, 2007**

(54) **ELECTRONIC GATE**
(75) Inventor: **Christophe Raynal**, Sainte Genevieve
des Bois (FR)
(73) Assignee: **Thales E-Transactions CGA SA**,
Bretignysur-orge (FR)
(**) Term: **14 Years**

FR 479553 10/1997
FR 479554 10/1997
FR 479555 10/1997
FR 542530 6/1999
FR 542531 6/1999
FR 542532 6/1999
FR 542533 6/1999
FR 542534 6/1999
FR 542535 6/1999

(21) Appl. No.: **29/214,378**
(22) Filed: **Oct. 4, 2004**

(30) **Foreign Application Priority Data**
Apr. 6, 2004 (FR) 04 1734

(51) **LOC (8) Cl.** **10-05**
(52) **U.S. Cl.** **D10/104**
(58) **Field of Classification Search** D10/106,
D10/116, 104, 121; 340/572.9, 574, 540-541;
D25/48, 138, 39; 24/326
See application file for complete search history.

(56) **References Cited**
U.S. PATENT DOCUMENTS
D294,234 S * 2/1988 Lamond D10/106
D305,308 S * 1/1990 Adams et al. D10/104
D317,272 S * 6/1991 Rubertus et al. D10/106
D319,195 S * 8/1991 Belletire et al. D10/106
D330,684 S * 11/1992 Joseph D10/106
D346,341 S * 4/1994 Westerberg et al. D10/106

FOREIGN PATENT DOCUMENTS
FR 439579 9/1996
FR 439580 9/1996
FR 439581 9/1996
FR 439582 9/1996
FR 439583 9/1996

(Continued)

Primary Examiner—Cathron C. Brooks
Assistant Examiner—Kelley A. Donnelly
(74) *Attorney, Agent, or Firm*—Oblon, Spivak, McClelland,
Maier & Neustadt, P.C.

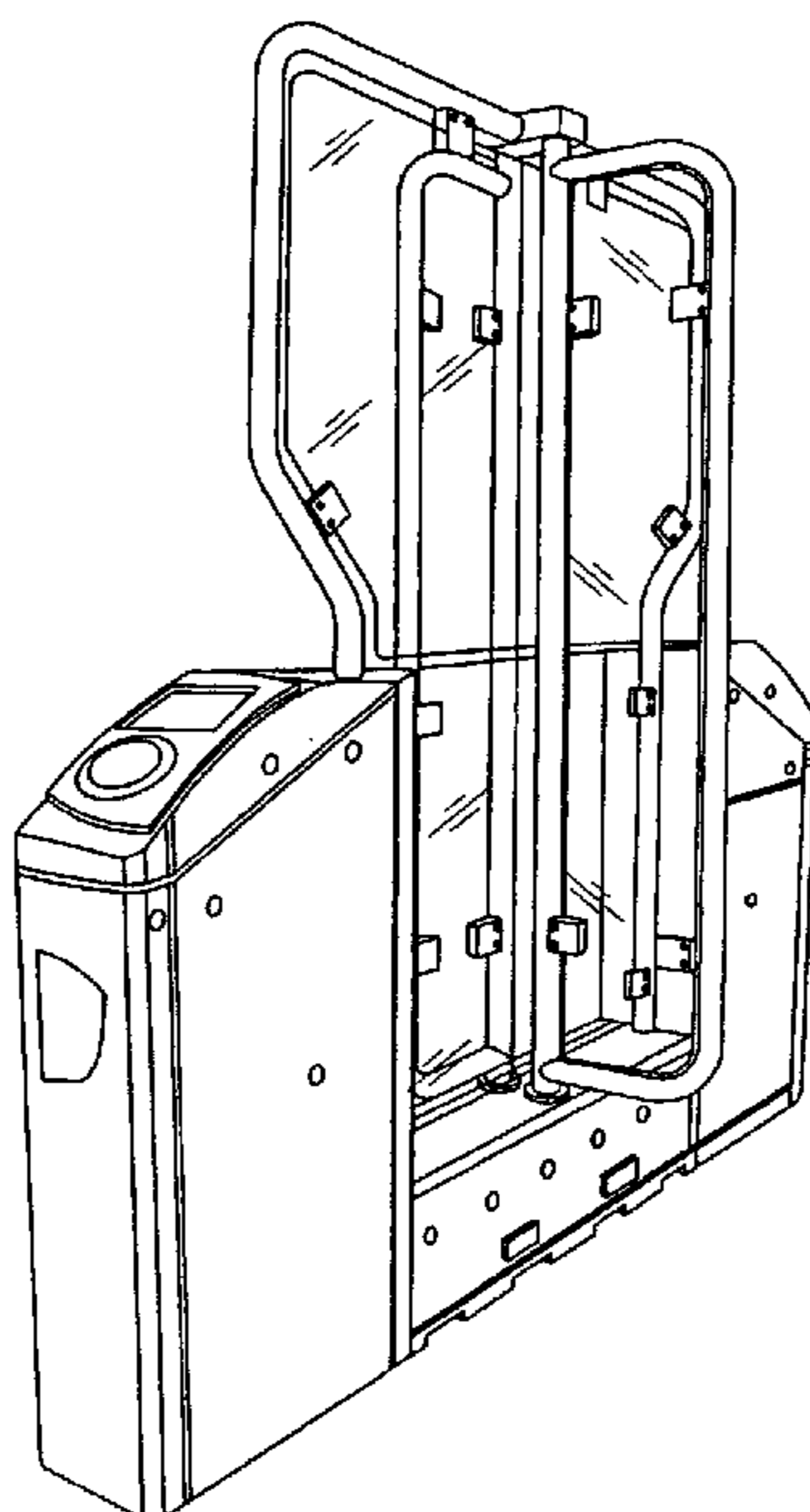
(57) **CLAIM**

The ornamental design for an electronic gate, as shown and described.

DESCRIPTION

FIG. 1 is a right side, front perspective view of an electronic gate, showing our design;
FIG. 2 is an additional front and right side perspective view thereof;
FIG. 3 is a top, front and right side perspective view thereof;
FIG. 4 is a right side elevational view thereof;
FIG. 5 is a front and left side perspective view thereof;
FIG. 6 is an enlarged top and right side perspective view of a portion thereof, shown separately for completion of illustration; and,
FIG. 7 is an enlarged perspective view of the circled portion shown in FIG. 4, shown separately for completeness of illustration.

1 Claim, 7 Drawing Sheets



FOREIGN PATENT DOCUMENTS					
			FR	662194	4/2002
			FR	662195	4/2002
FR	553908	9/1999	FR	662196	4/2002
FR	553909	9/1999	FR	718826	11/2003
FR	553910	9/1999	FR	718827	11/2003
FR	553911	9/1999	FR	718828	11/2003
FR	553912	9/1999	FR	718829	11/2003
FR	553913	9/1999	FR	718830	11/2003
FR	553914	9/1999	FR	718831	11/2003
FR	642100	10/2001	FR	718832	11/2003
FR	642101	10/2001	FR	718833	11/2003
FR	642102	10/2001	FR	718834	11/2003
FR	642103	10/2001	FR	718835	11/2003
FR	642104	10/2001	FR	718836	11/2003
FR	642105	10/2001	FR	718837	11/2003
FR	642106	10/2001	FR	718838	11/2003
FR	642107	10/2001	FR	718839	11/2003
FR	642108	10/2001	FR	718840	11/2003
FR	642109	10/2001	FR	718841	11/2003
FR	642110	10/2001	FR	718842	11/2003
FR	642111	10/2001	FR	718843	11/2003
FR	642112	10/2001	FR	718844	11/2003
FR	642113	10/2001	FR	718845	11/2003
FR	648004	12/2001	FR	718846	11/2003
FR	648005	12/2001	WO	DM027761	1/1994
FR	648006	12/2001			
FR	648007	12/2001			

* cited by examiner

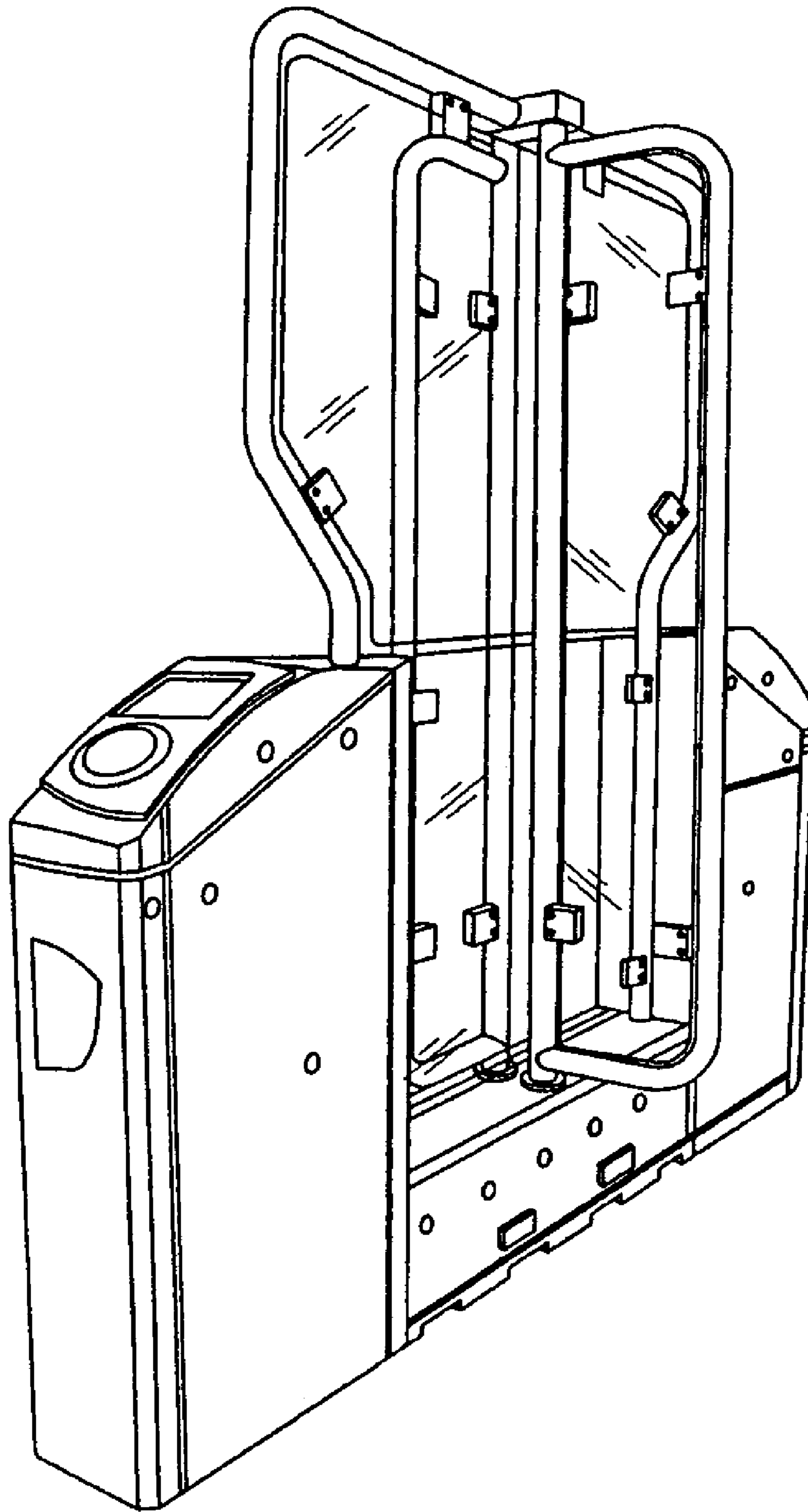


Fig. 1

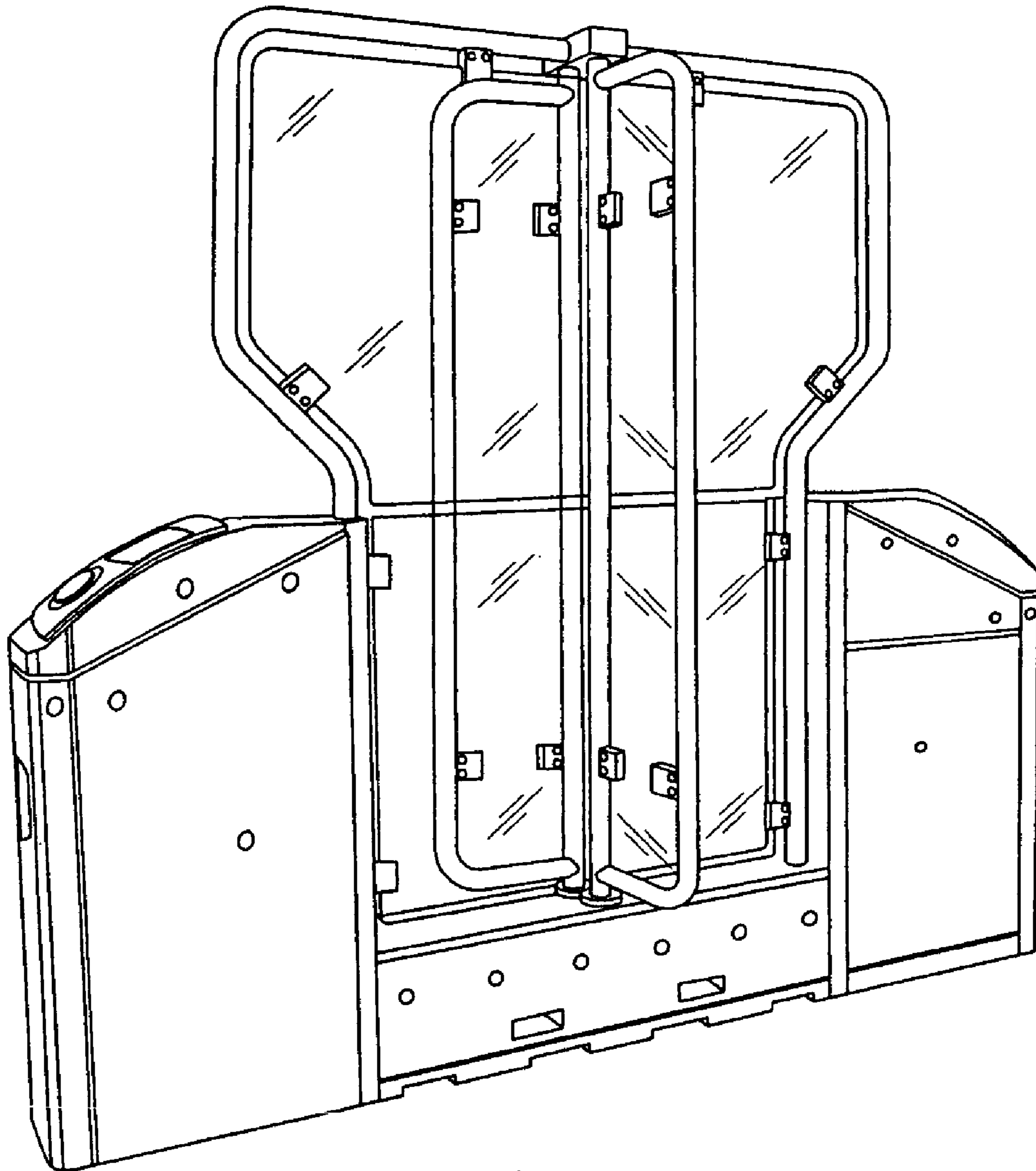


Fig. 2

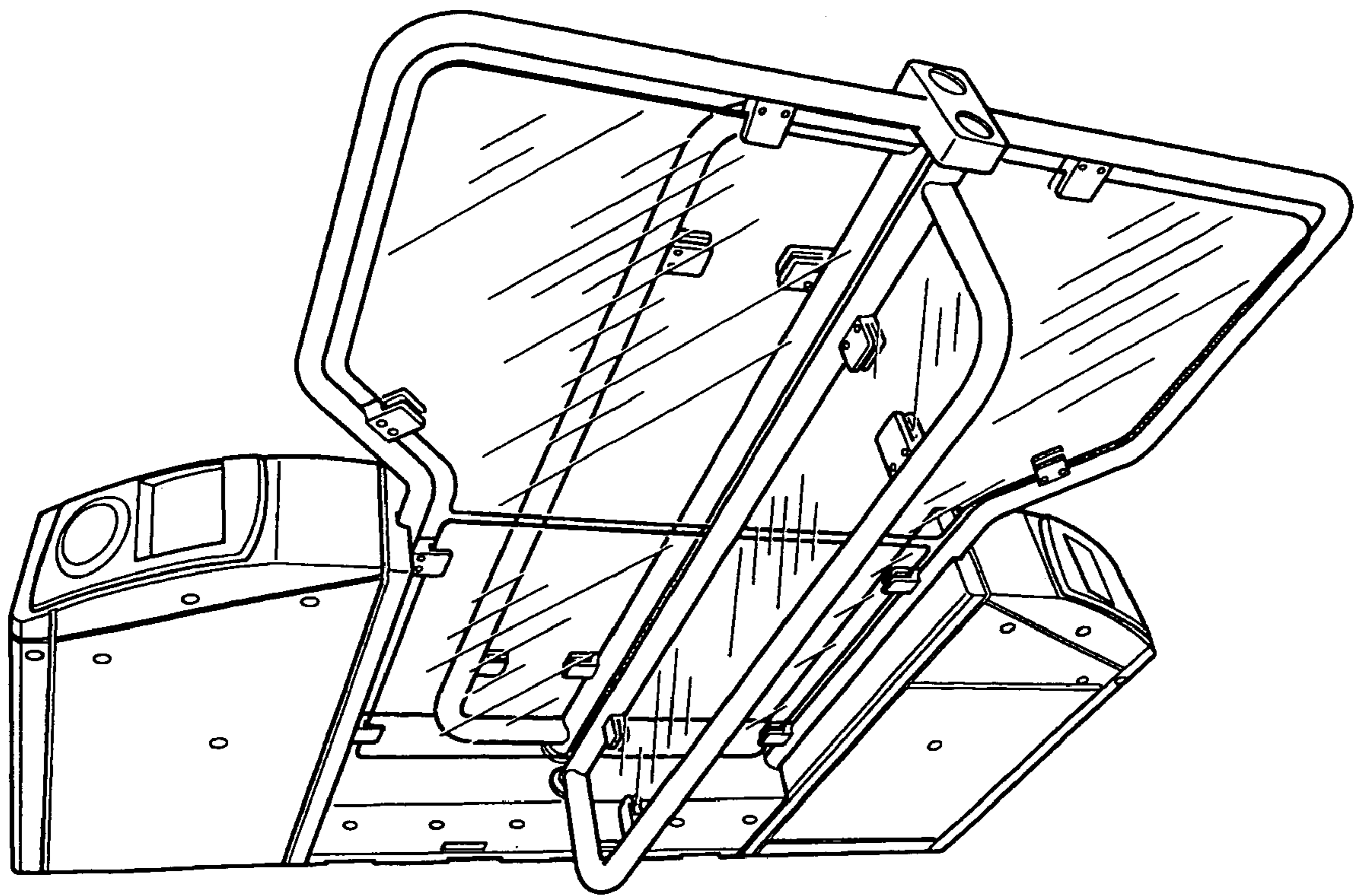


FIGURE 3

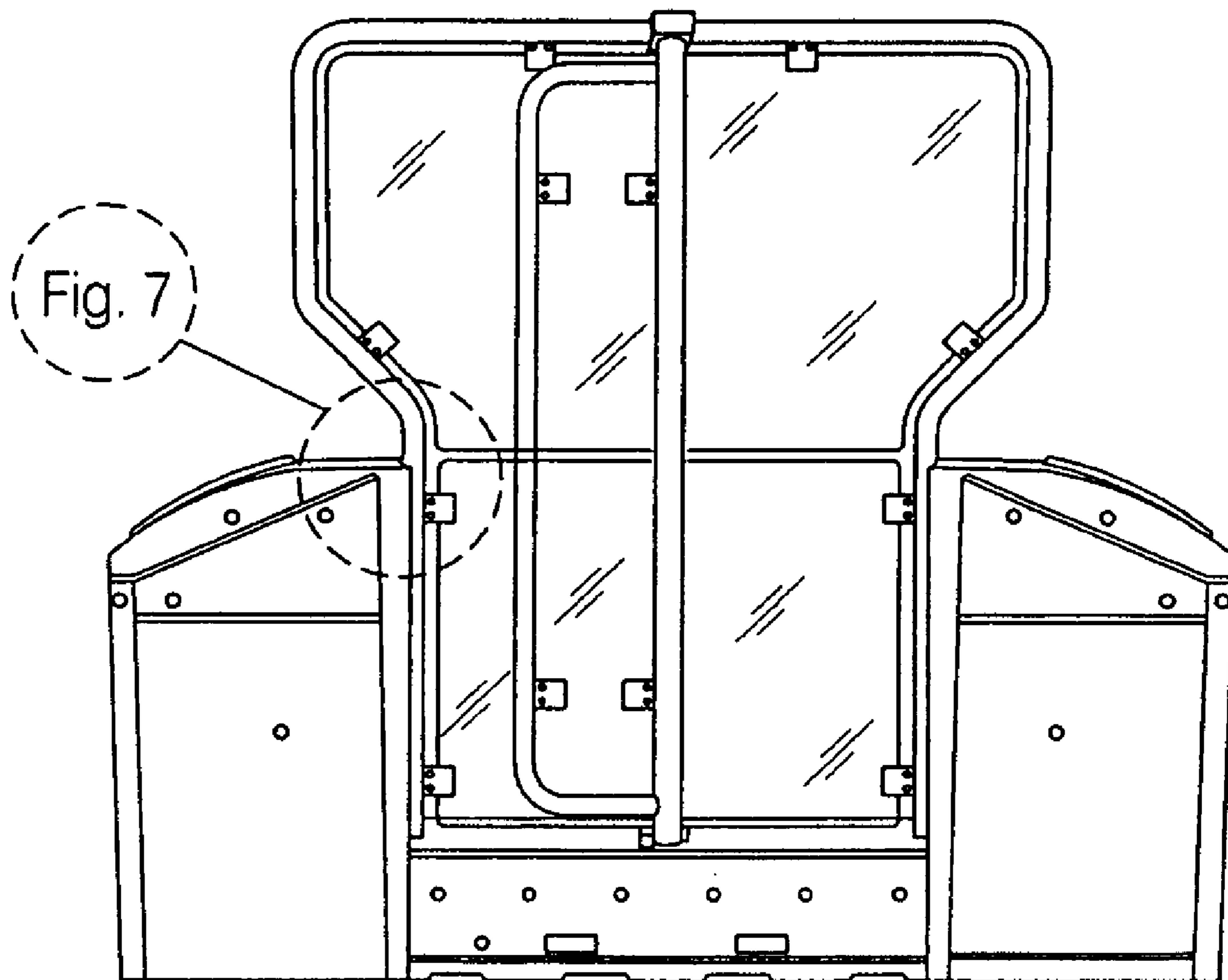


Fig. 4

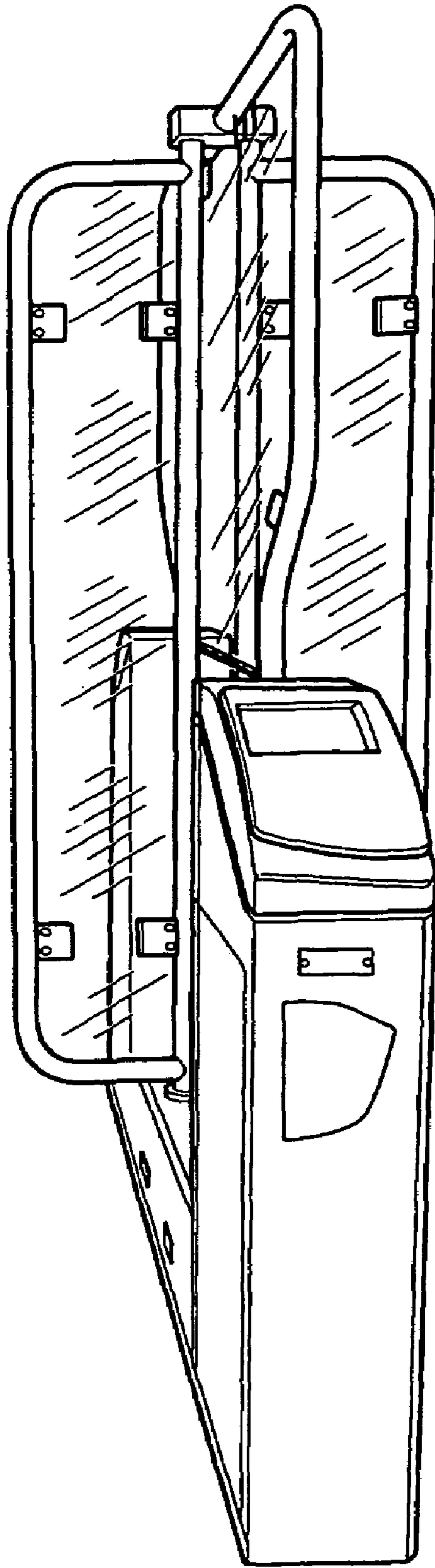


FIGURE 5

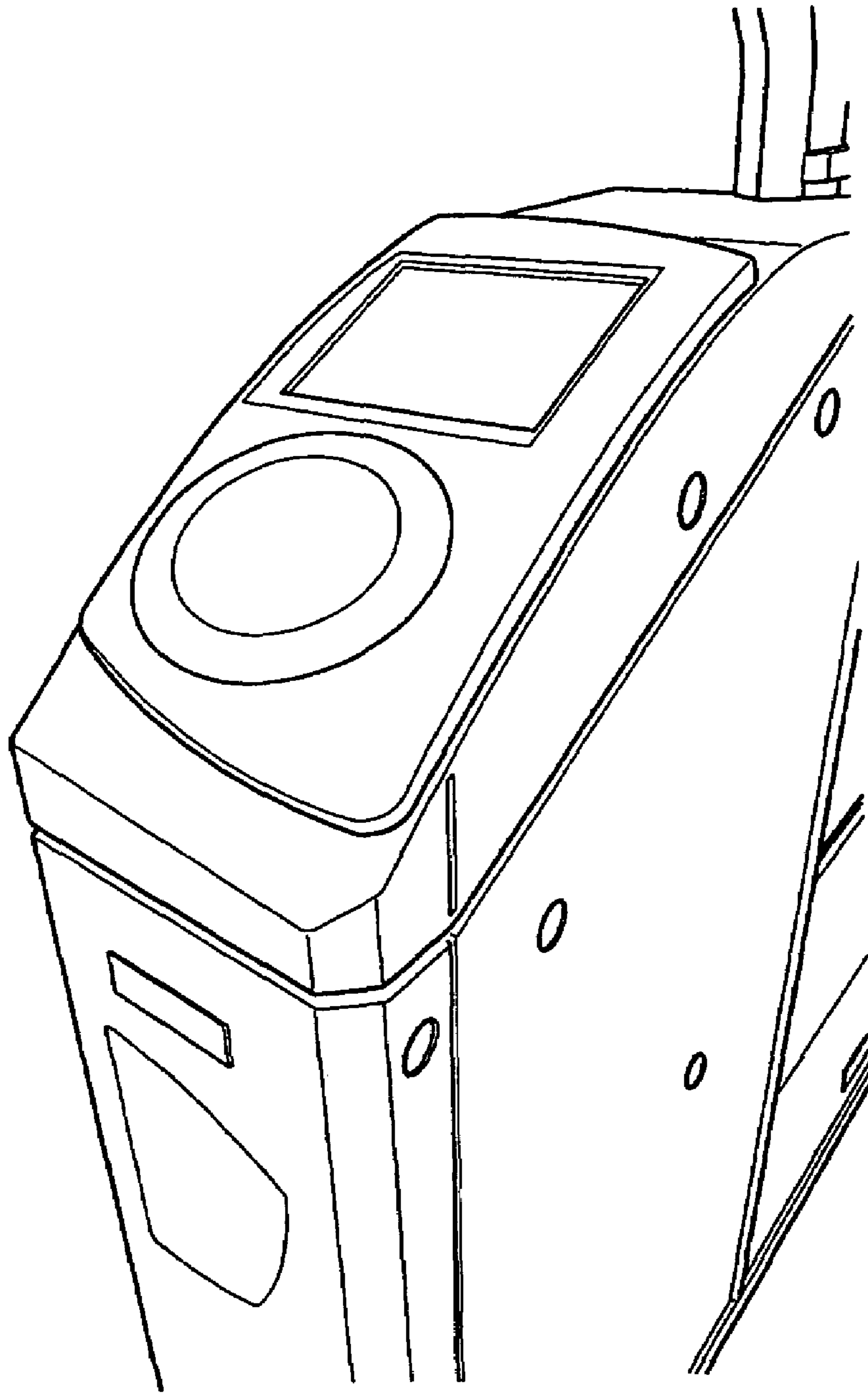


FIGURE 6

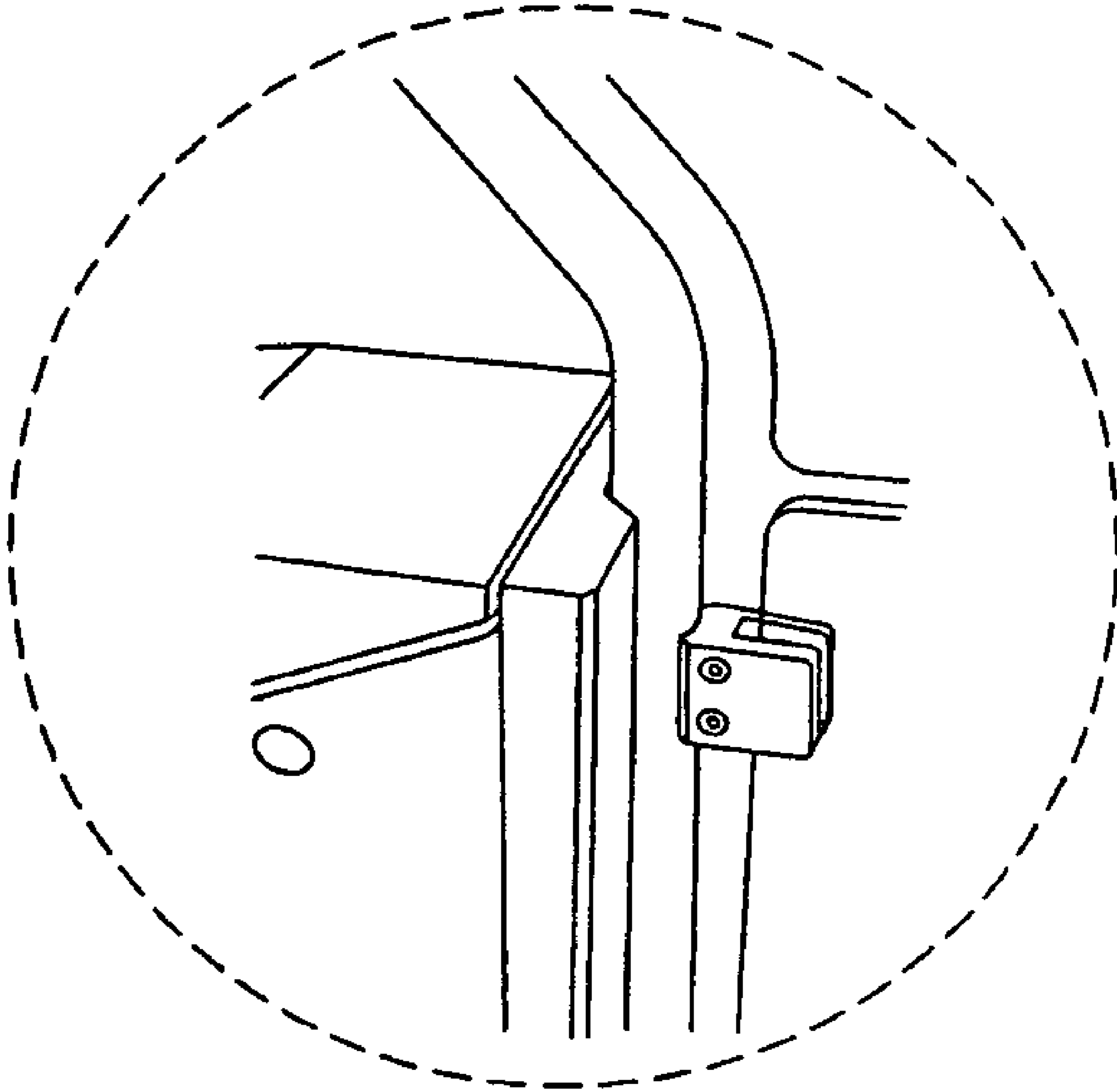


Fig. 7