



US00D547220S

(12) **United States Design Patent** (10) **Patent No.:** **US D547,220 S**
Bechtel et al. (45) **Date of Patent:** **** Jul. 24, 2007**

(54) **HUMAN WEIGHING SCALE WITH WALL MOUNTED DISPLAY RADIO RECEIVER AND SPEAKERS**

2002/0087102 A1* 7/2002 Honda et al. 600/587

* cited by examiner

(75) Inventors: **Michel Bechtel**, Binderheim (FR); **Marleen Buys**, W Eissach im Tal (DE); **Xin Ming Chen**, Shenzhen (CN); **Wen Lin Zhang**, Shenzhen (CN); **Vincent Minery**, Strasbourg (FR); **Stéphane Neveu**, Strasbourg (FR); **Yan Schnell**, Strasbourg (FR)

Primary Examiner—Antoine D. Davis
 (74) *Attorney, Agent, or Firm*—Davis Bujold & Daniels, P.L.L.C.

(73) Assignee: **Channel Way Holdings Co. Ltd.**, Tortola (VG)

(57) **CLAIM**

We claim the ornamental design for a human weighing scale with wall mounted display radio receiver and speakers, as shown and described.

(**) Term: **14 Years**

DESCRIPTION

(21) Appl. No.: **29/255,508**

FIG. 1 is a perspective view of a first embodiment human weighing scale with wall mounted display radio receiver and speakers embodying our new design;

(22) Filed: **Mar. 8, 2006**

FIG. 2 is a top plan view thereof;

(30) **Foreign Application Priority Data**

Sep. 8, 2005 (FR) 05 4337
 Jan. 6, 2006 (FR) 06 00064
 Feb. 17, 2006 (FR) 06 0792

FIG. 3 is a bottom plan view thereof;

FIG. 4 is a front elevational view thereof;

FIG. 5 is a rear elevational view thereof;

FIG. 6 is a right side elevational view thereof;

FIG. 7 is a left side elevational view thereof;

(51) **LOC (8) Cl.** **10-04**

(52) **U.S. Cl.** **D10/93; 92/94**

(58) **Field of Classification Search** D10/92–94;
 116/DIG. 32; 177/236–245, 25.13–25.18;
 340/870.02, 870.03, 870.11–870.15; 364/464.02,
 364/567

FIG. 8 is a perspective view of a second embodiment of the human weighing scale with wall mounted display radio receiver and speakers embodying our new design;

FIG. 9 is a top plan view of FIG. 8;

FIG. 10 is a bottom plan view of FIG. 8;

FIG. 11 is a front elevational view of FIG. 8;

FIG. 12 is a rear elevational view of FIG. 8;

FIG. 13 is a right side elevational view of FIG. 8;

FIG. 14 is a left side elevational view of FIG. 8;

FIG. 15 is a perspective view of the wall mounted display radio receiver and speakers according to the first and second embodiment of our design;

FIG. 16 is a top plan view of FIG. 15;

FIG. 17 is a bottom plan view of FIG. 15;

See application file for complete search history.

(56) **References Cited**

U.S. PATENT DOCUMENTS

D415,972 S * 11/1999 Sato et al. D10/92
 D425,807 S * 5/2000 Sato D10/92
 6,354,996 B1 * 3/2002 Drinan et al. 177/25.19
 6,516,221 B1 * 2/2003 Hirouchi et al. 600/547
 6,539,310 B2 * 3/2003 Shimomura 600/547
 6,728,646 B2 * 4/2004 Howell et al. 340/870.02
 6,864,436 B1 * 3/2005 Nobes et al. 177/25.13

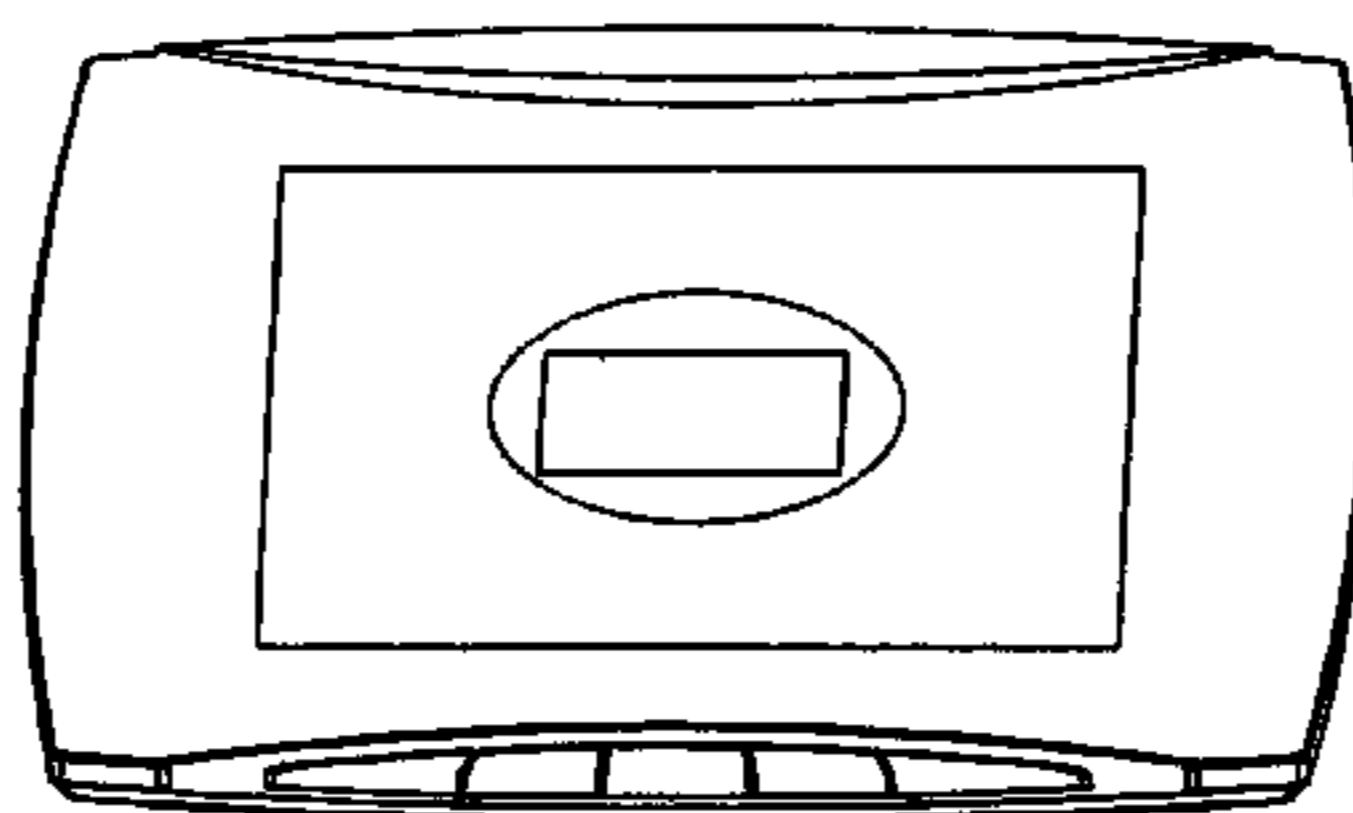
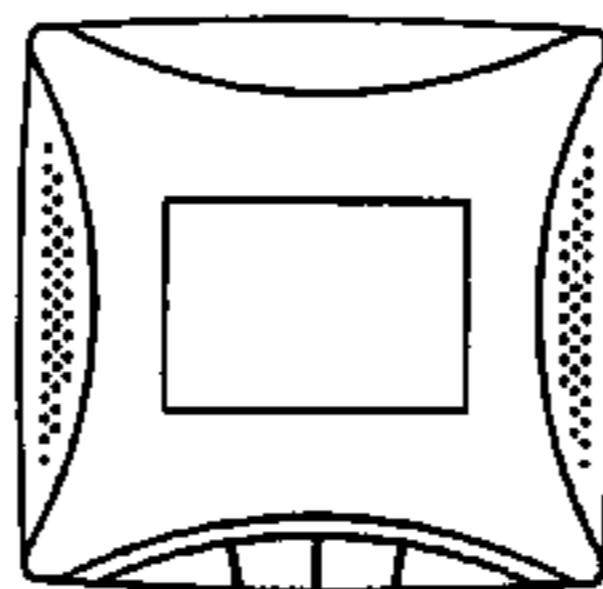


FIG. **18** is a front elevational view of FIG. **15**;

FIG. **19** is a rear elevational view of FIG. **15**;

FIG. **20** is a right side elevational view of FIG. **15**;

FIG. **21** is a left side elevational view of FIG. **15**;

FIG. **22** is a perspective view of the human weighing scale shown separated from the wall mounted display radio receiver and speakers according to the first embodiment of our design;

FIG. **23** is a top plan view of the scale and a top side elevational view of the separate display radio receiver and speakers of FIG. **22**;

FIG. **24** is a bottom plan view of the scale and a bottom side elevational view of the separate display radio receiver and speakers of FIG. **22**;

FIG. **25** is a front elevational view of the scale and a front plan view of the separate display radio receiver and speakers of FIG. **22**;

FIG. **26** is a rear elevational view of the scale and a back plan view of the separate display radio receiver and speakers of FIG. **22**;

FIG. **27** is a right side elevational view of the scale and a right side elevational view of the separate display radio receiver and speakers of FIG. **22**; and,

FIG. **28** is a left side elevational view of the scale and a left side elevational view of the separate display radio receiver and speakers of FIG. **22**.

1 Claim, 19 Drawing Sheets

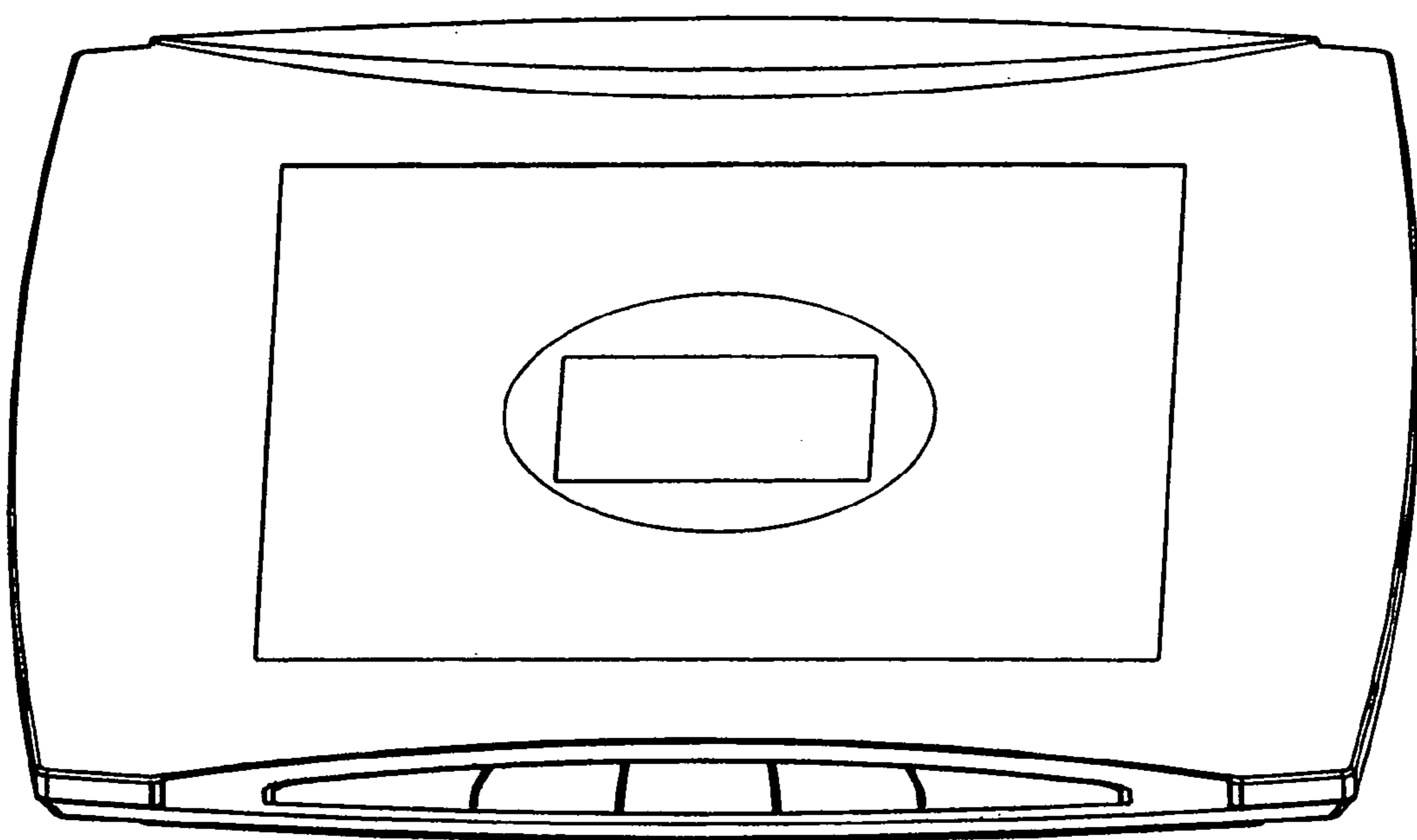


FIG. 1

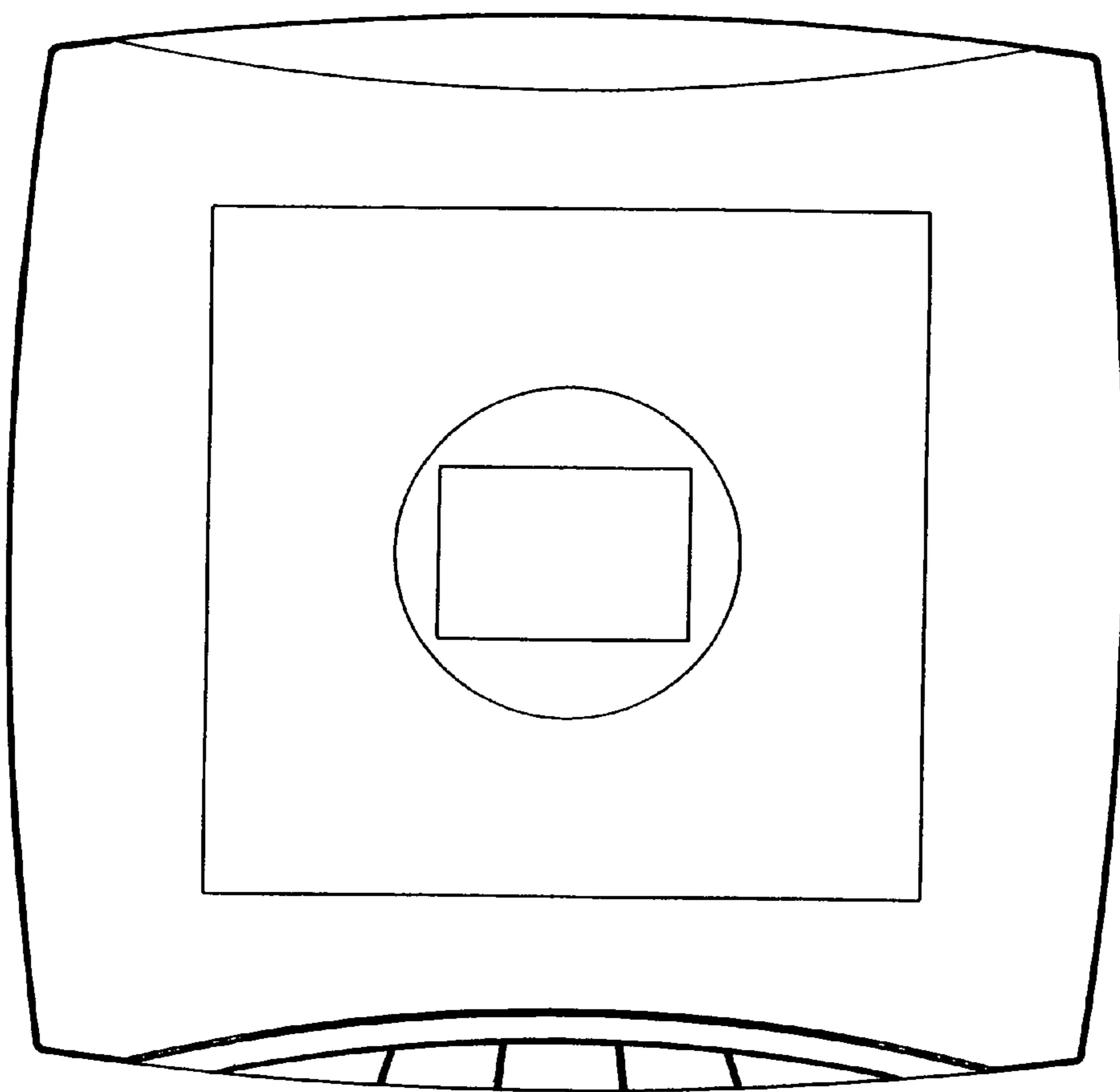


FIG. 2

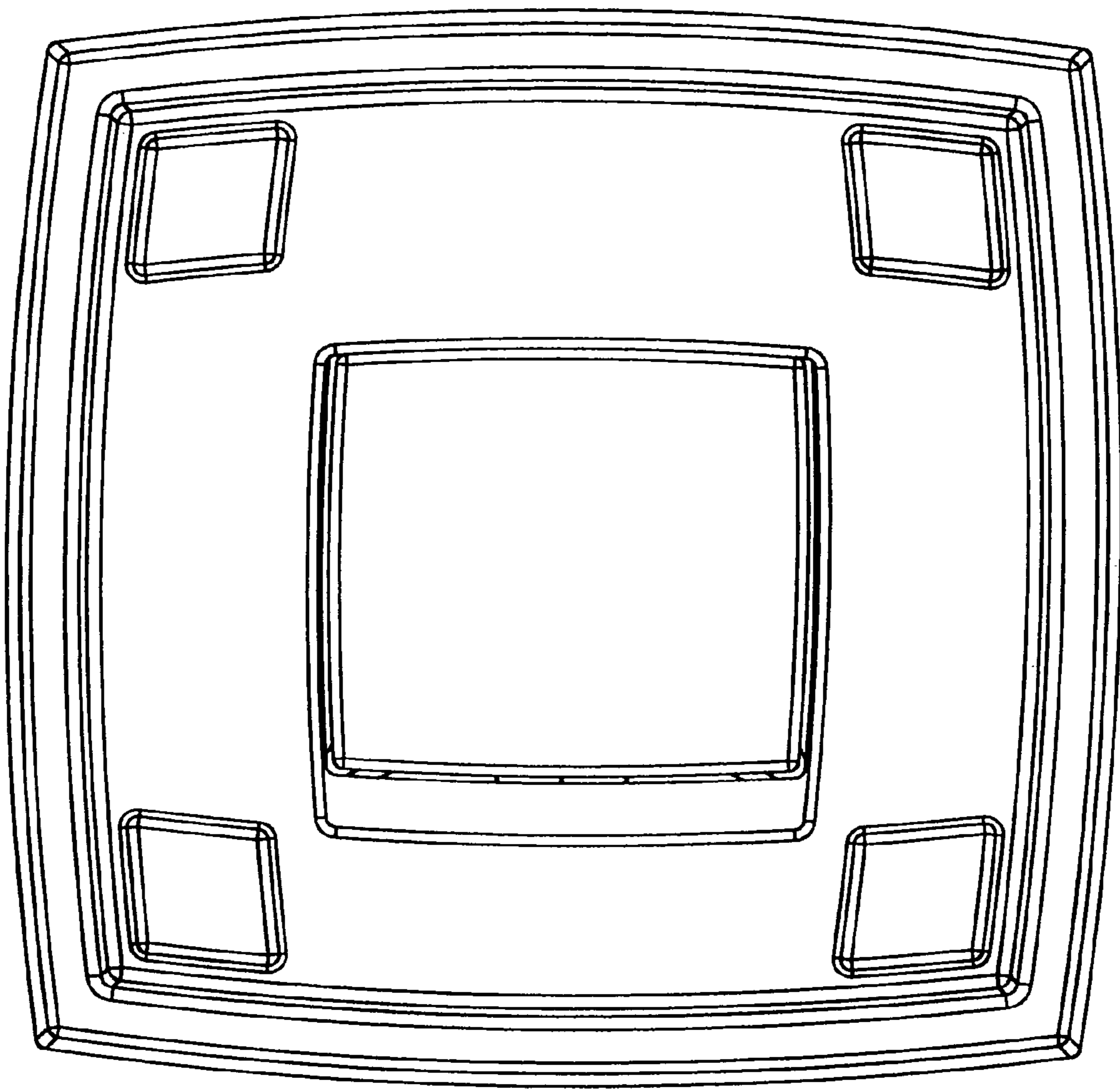


FIG. 3

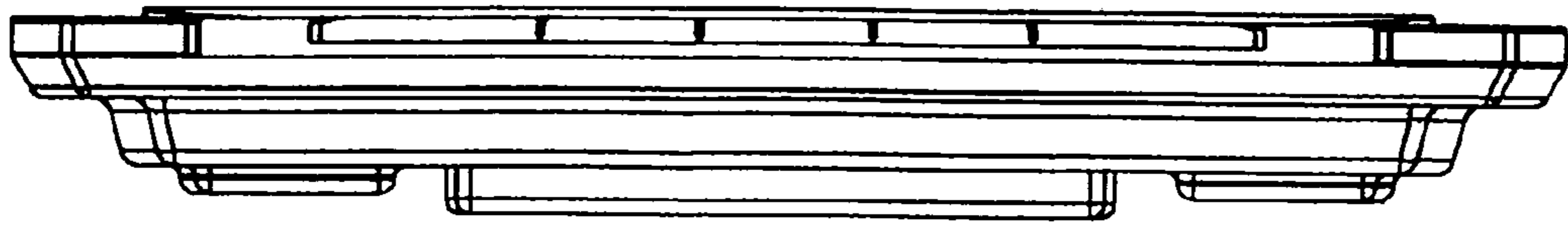


FIG. 4

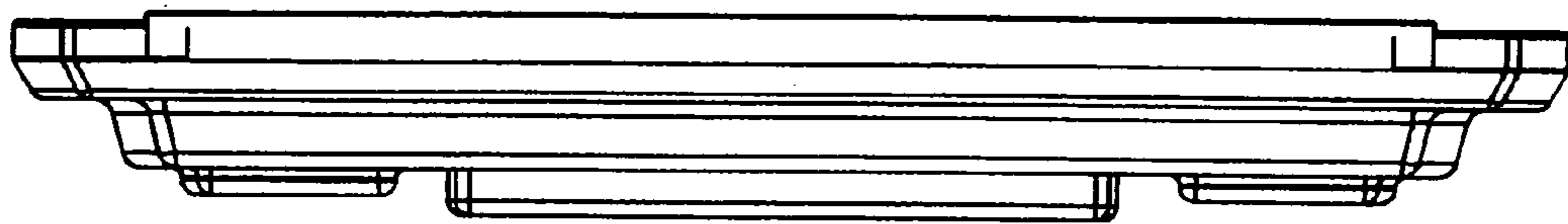


FIG. 5

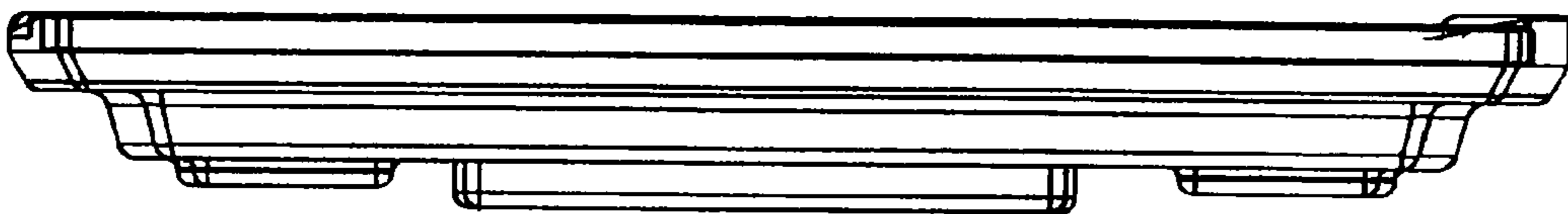


FIG. 6

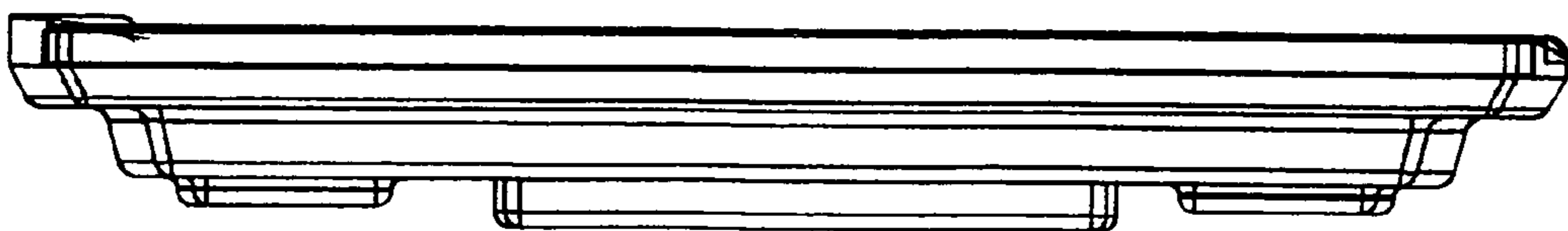


FIG. 7

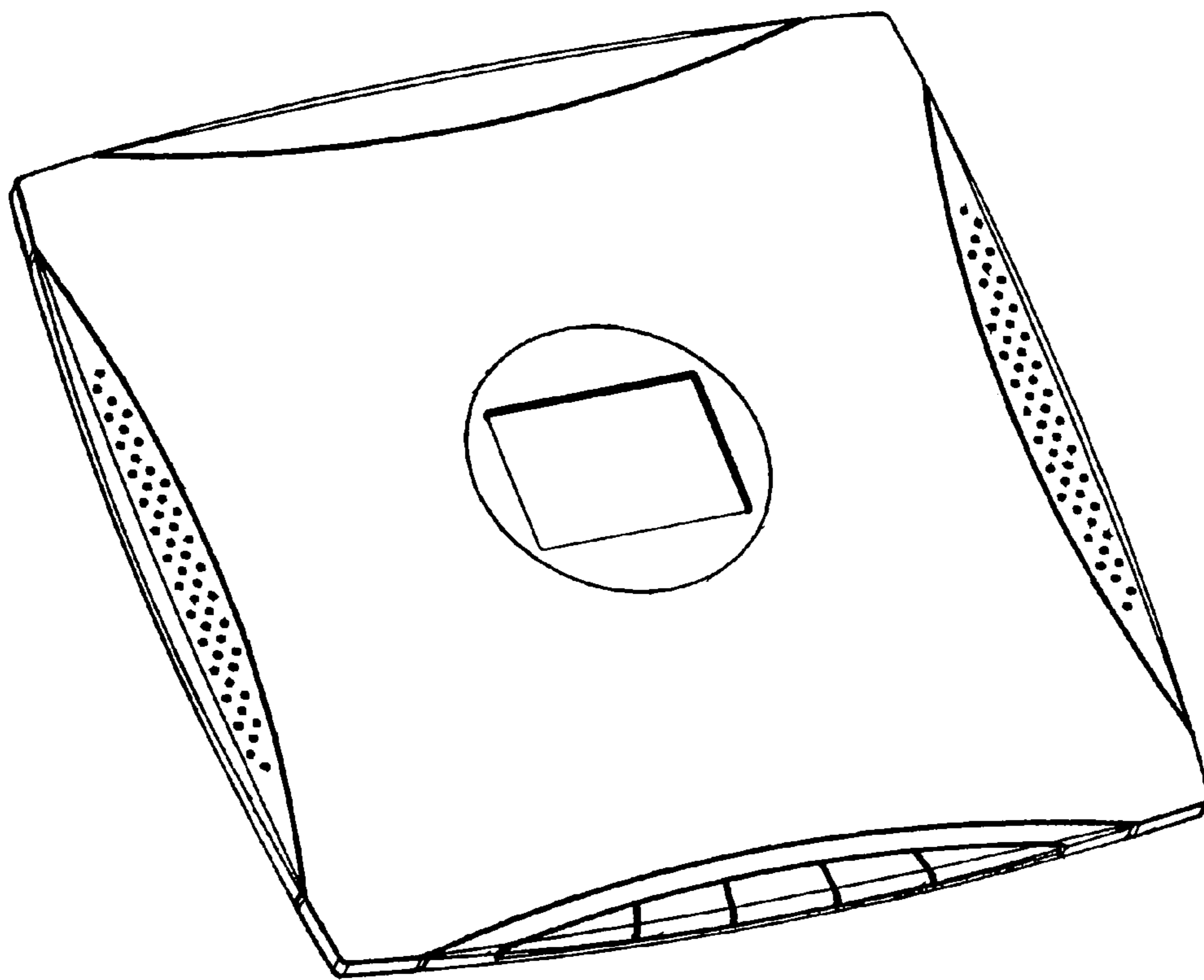


FIG. 8

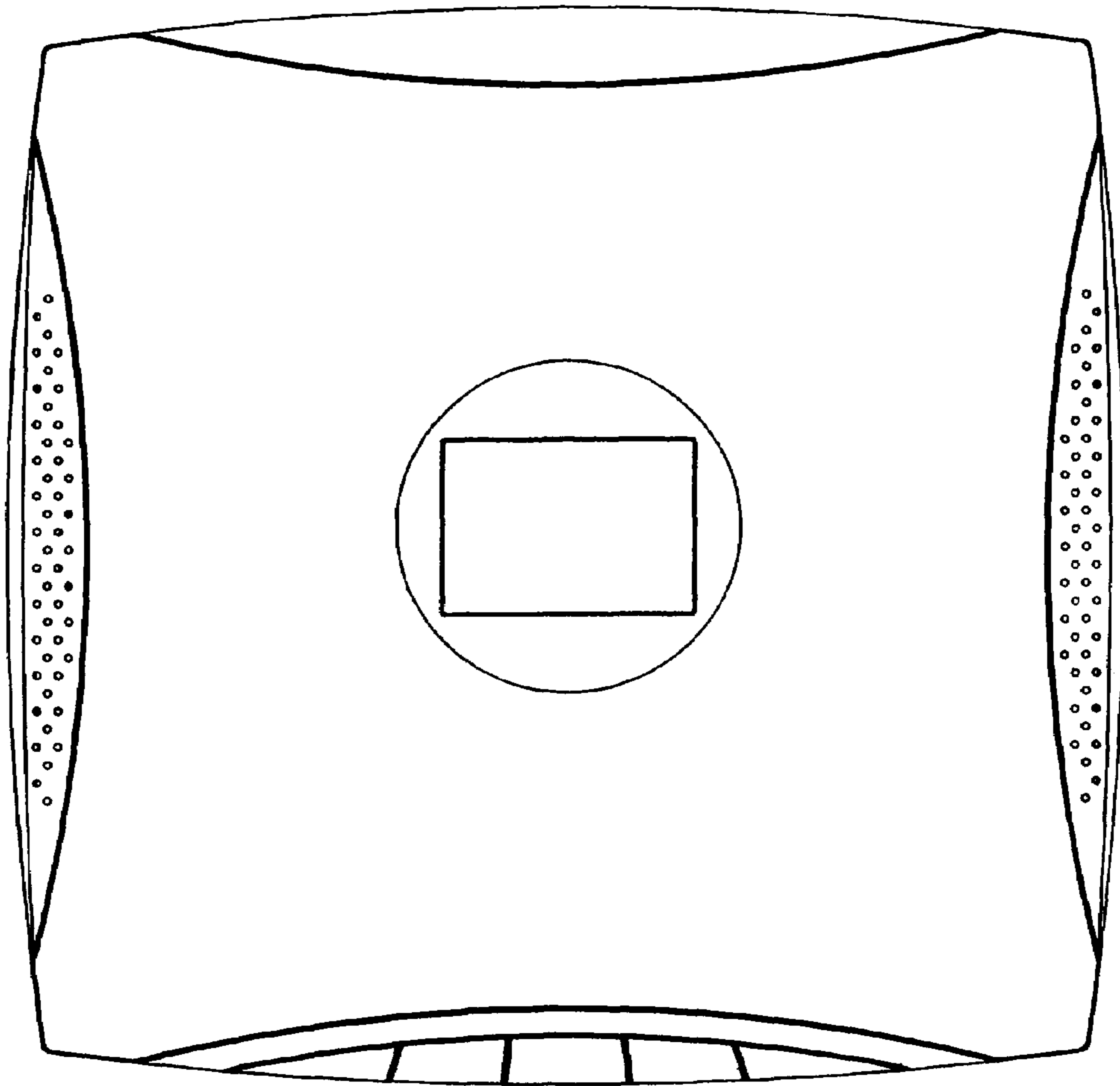


FIG. 9

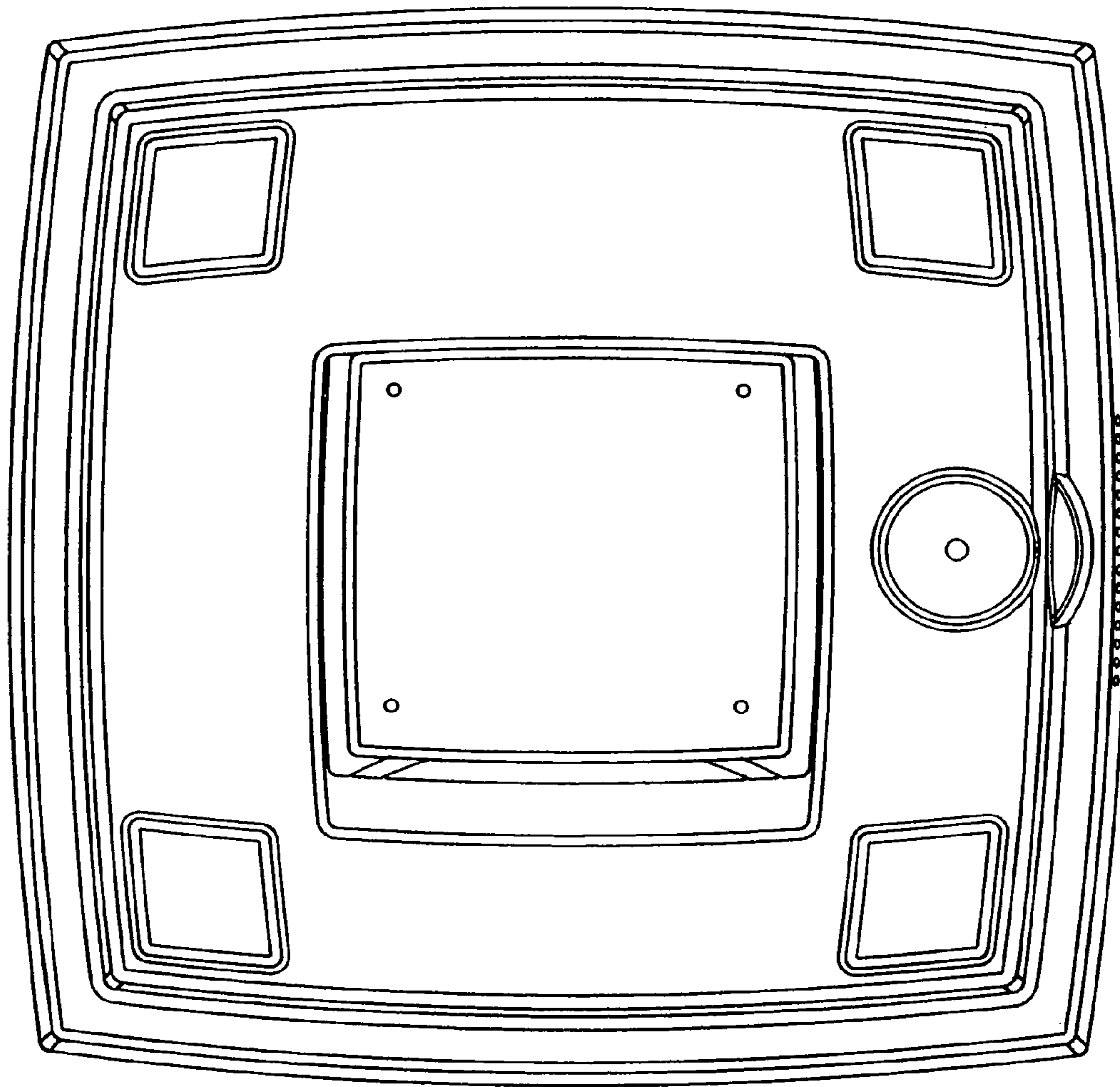


FIG. 10

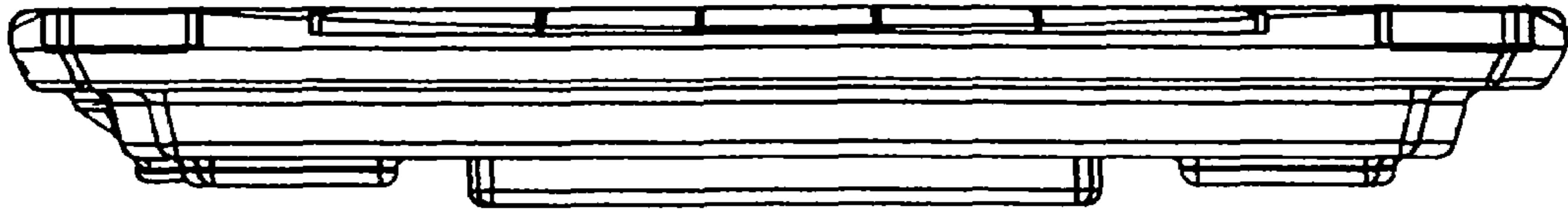


FIG. 11

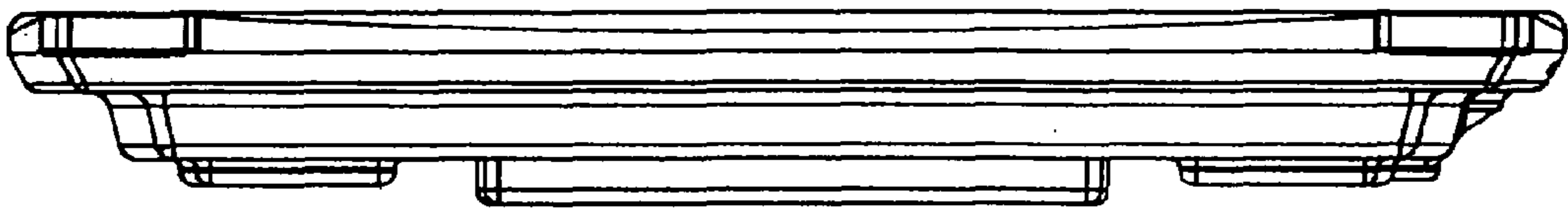


FIG. 12

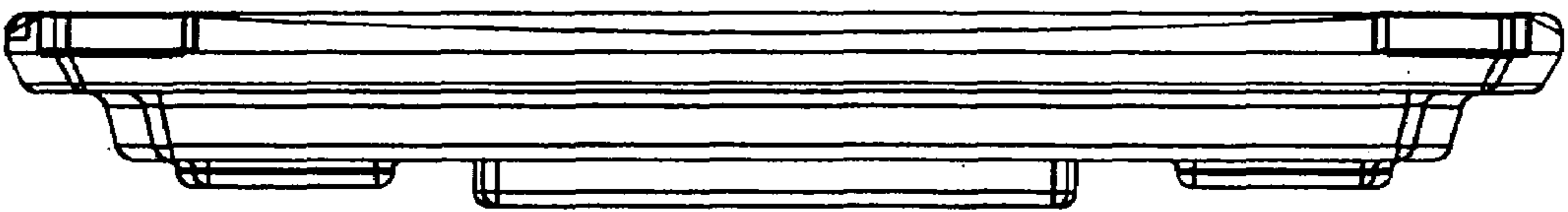


FIG. 13

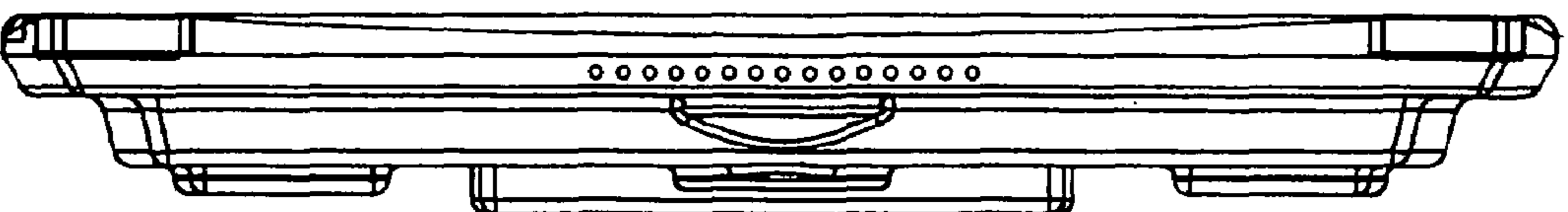


FIG. 14

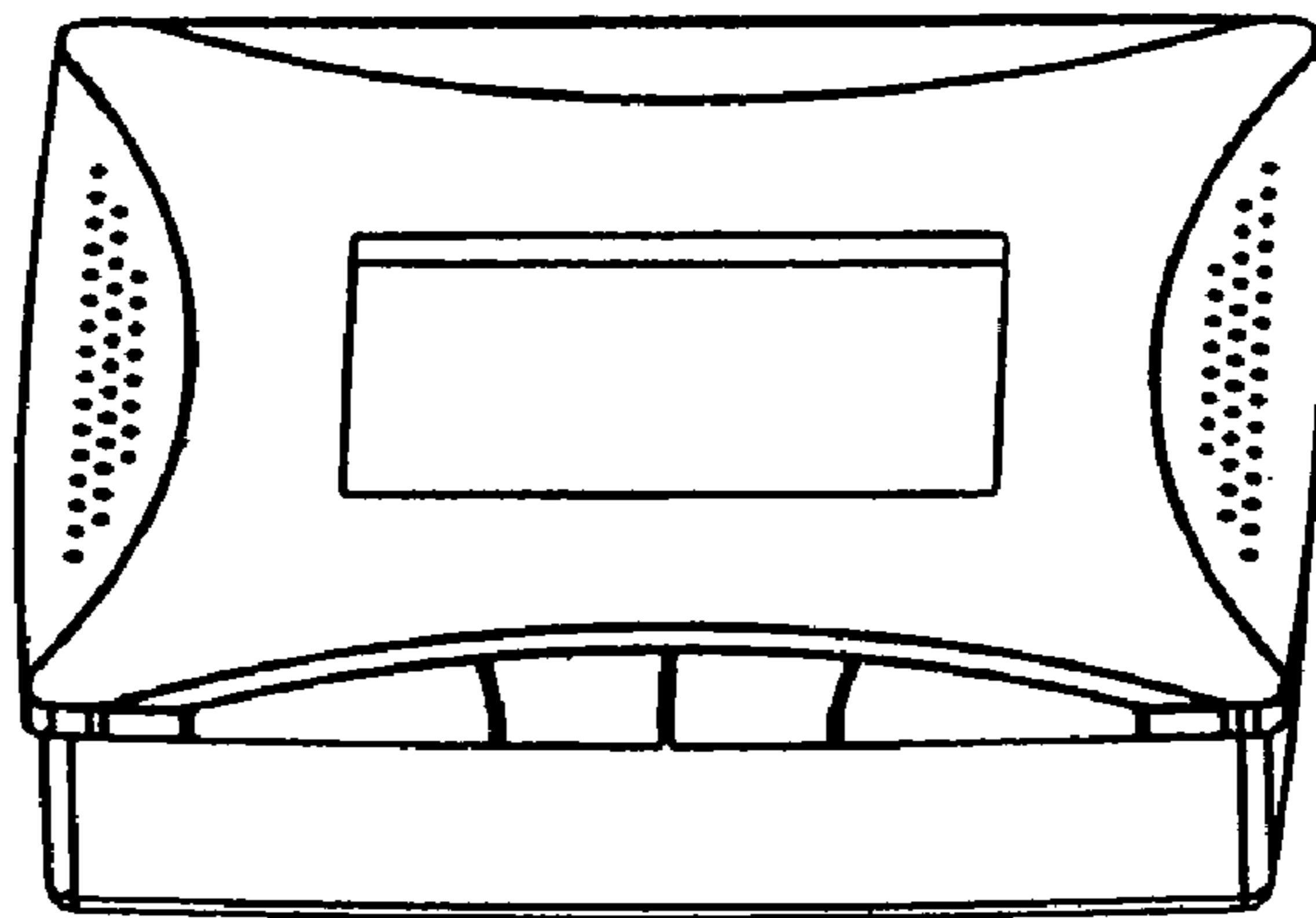


FIG. 15

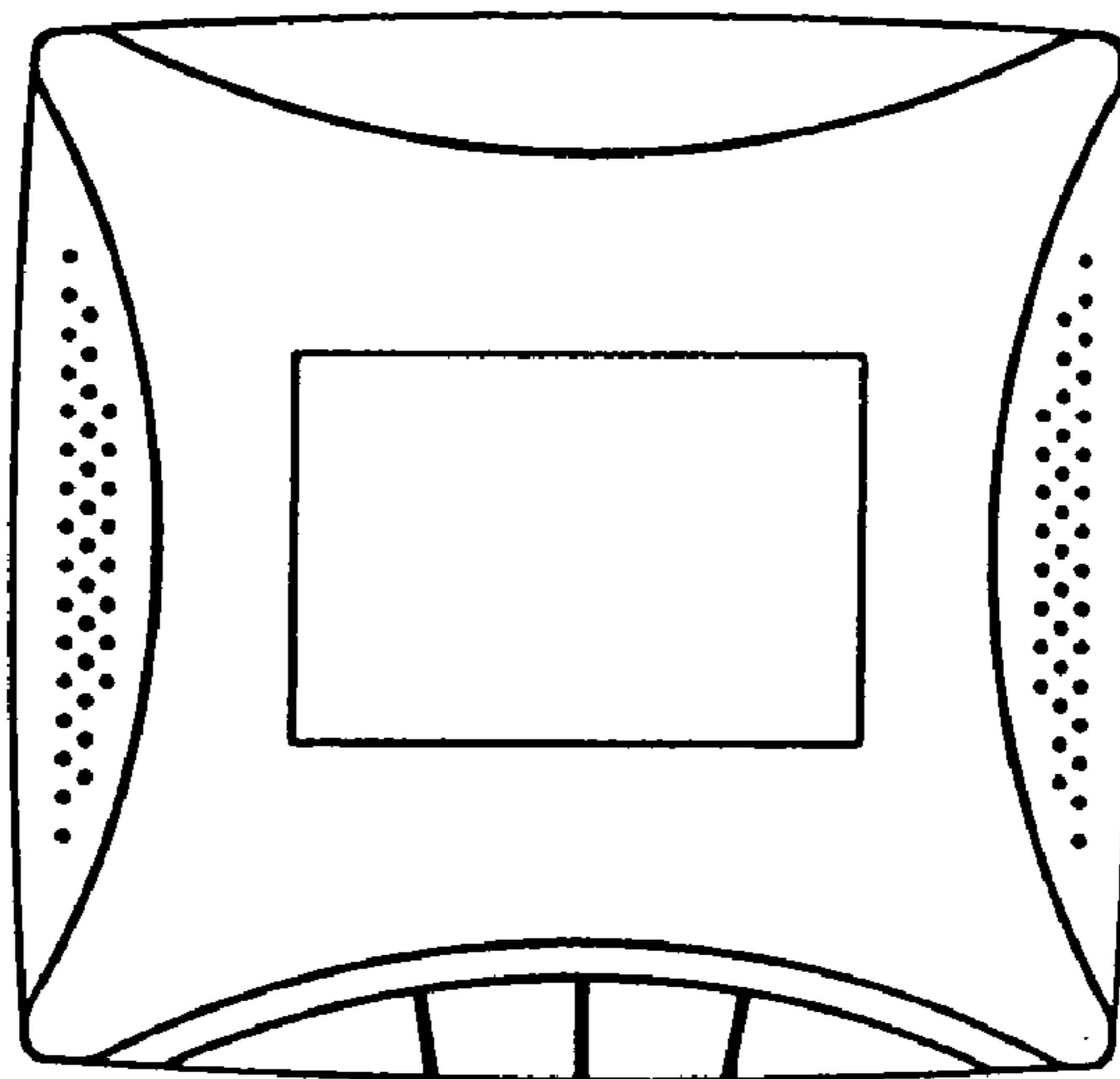


FIG. 16

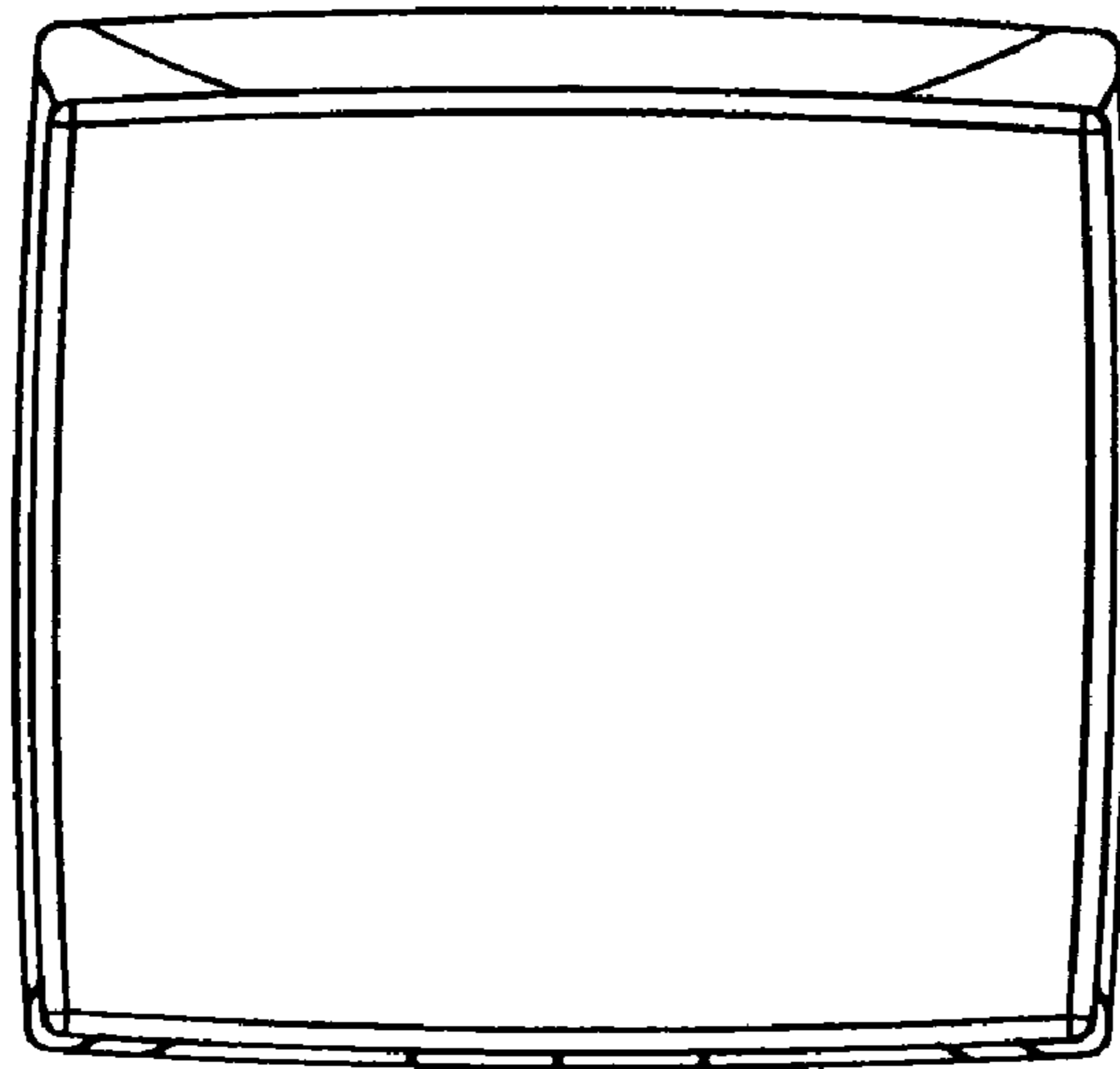


FIG. 17

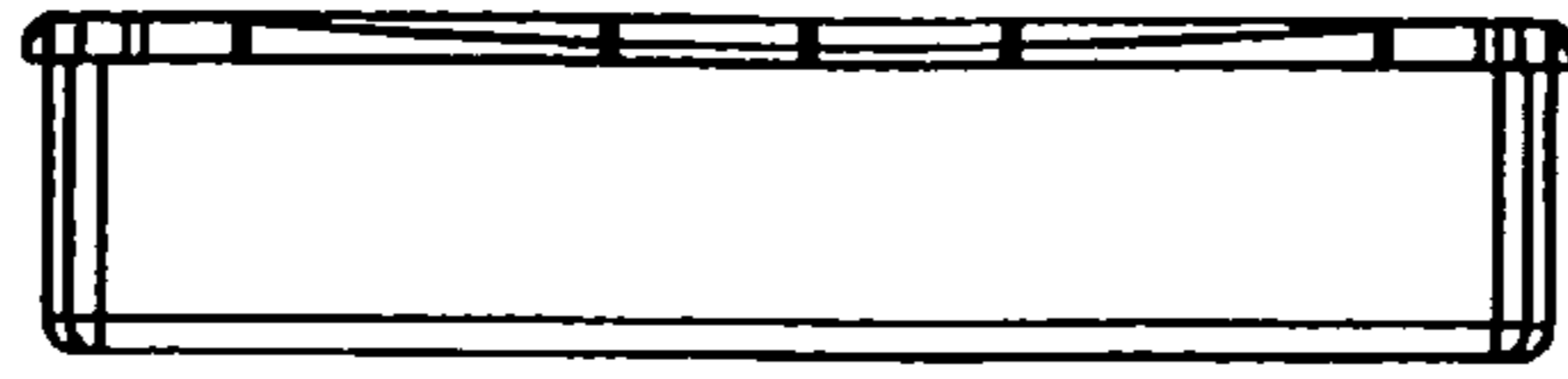


FIG. 18

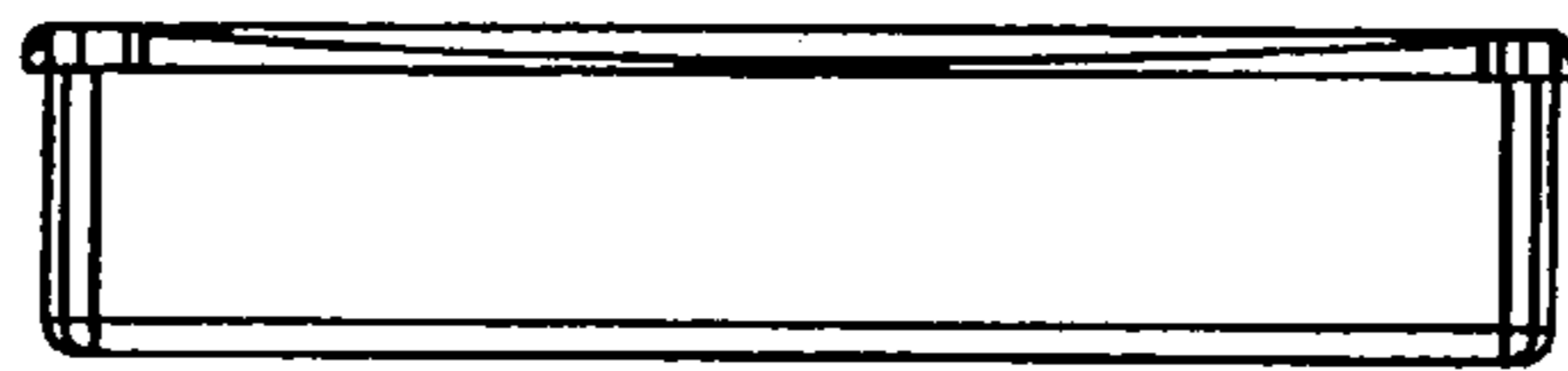


FIG. 19



FIG. 20



FIG. 21

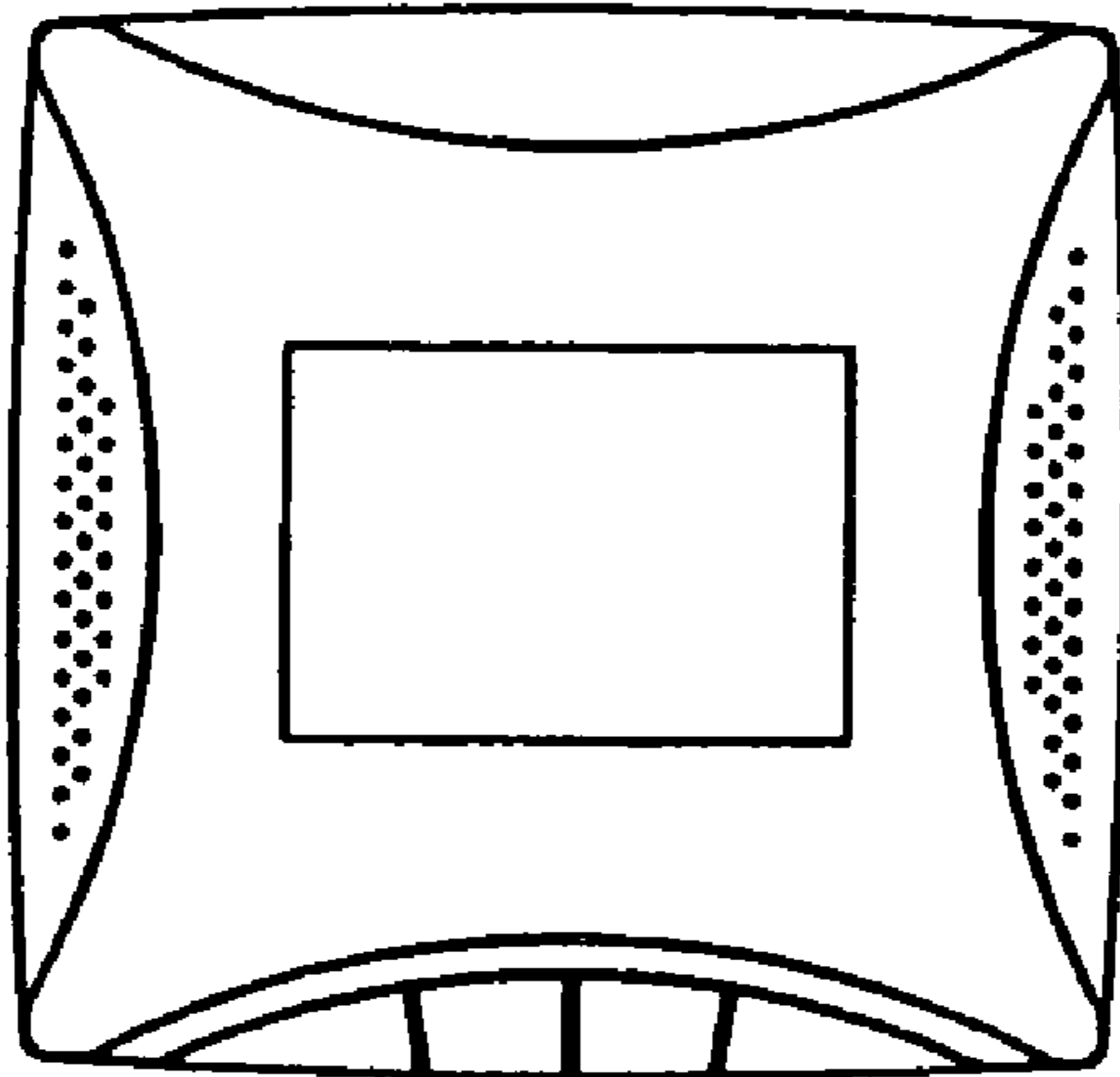
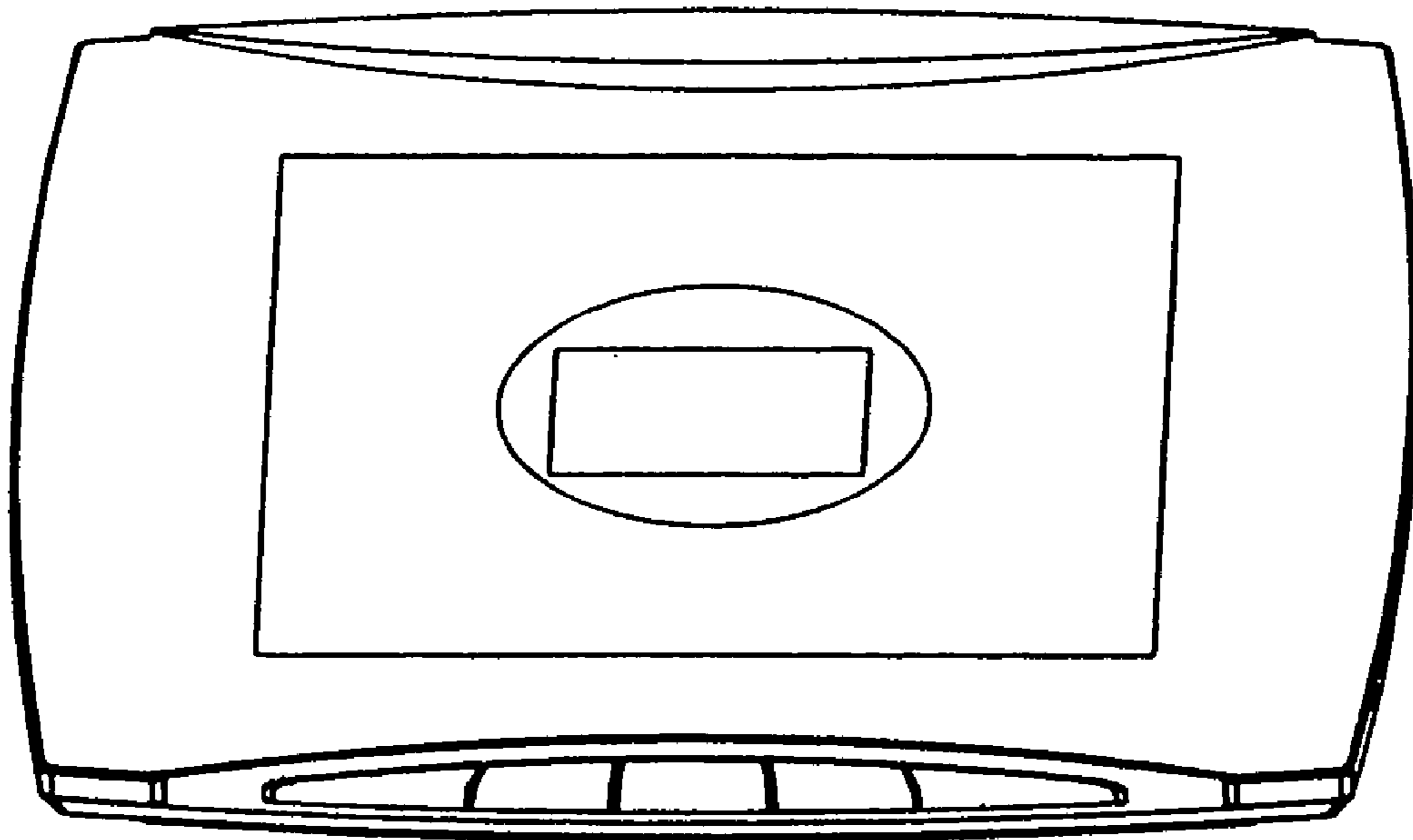


FIG. 22



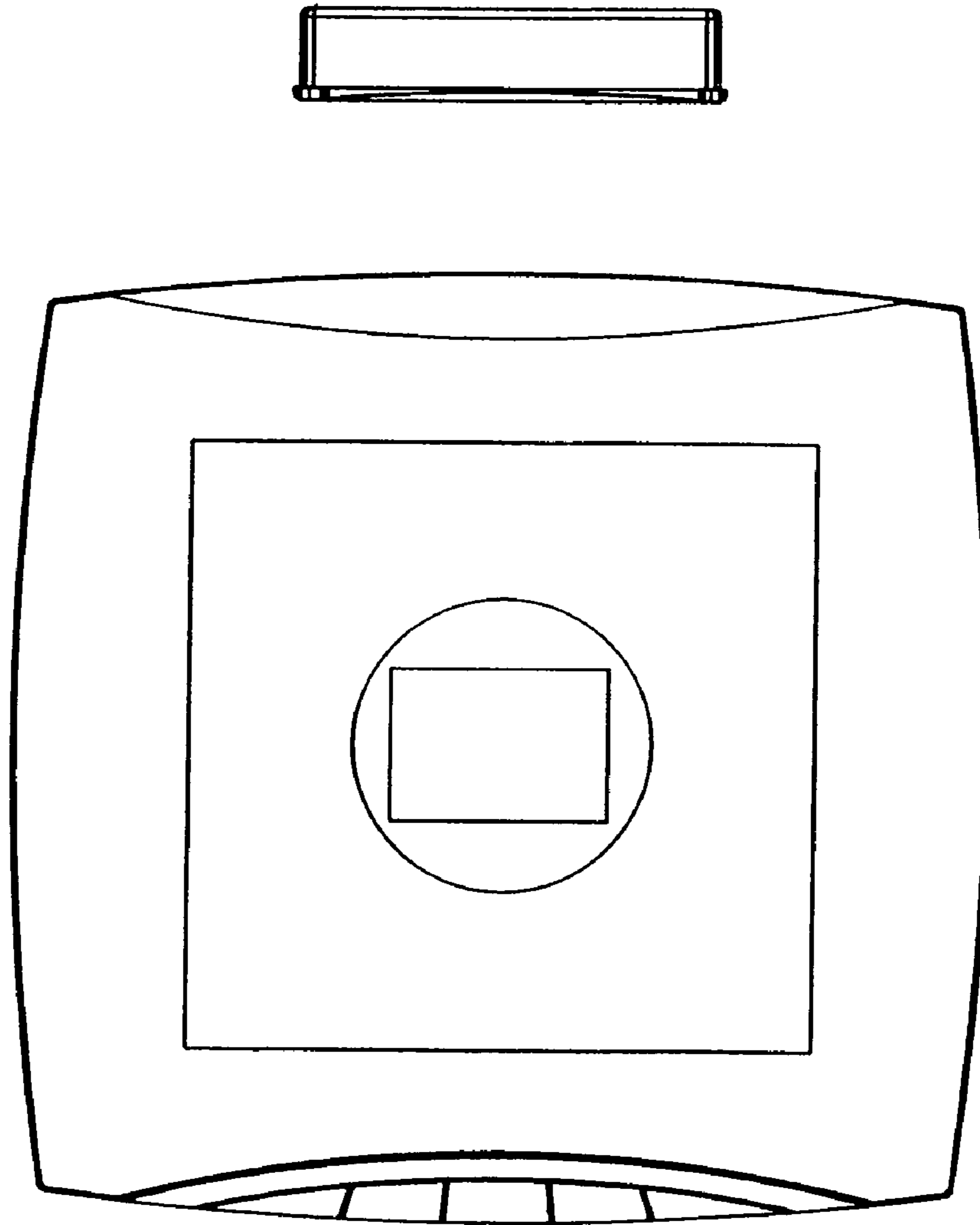


FIG. 23

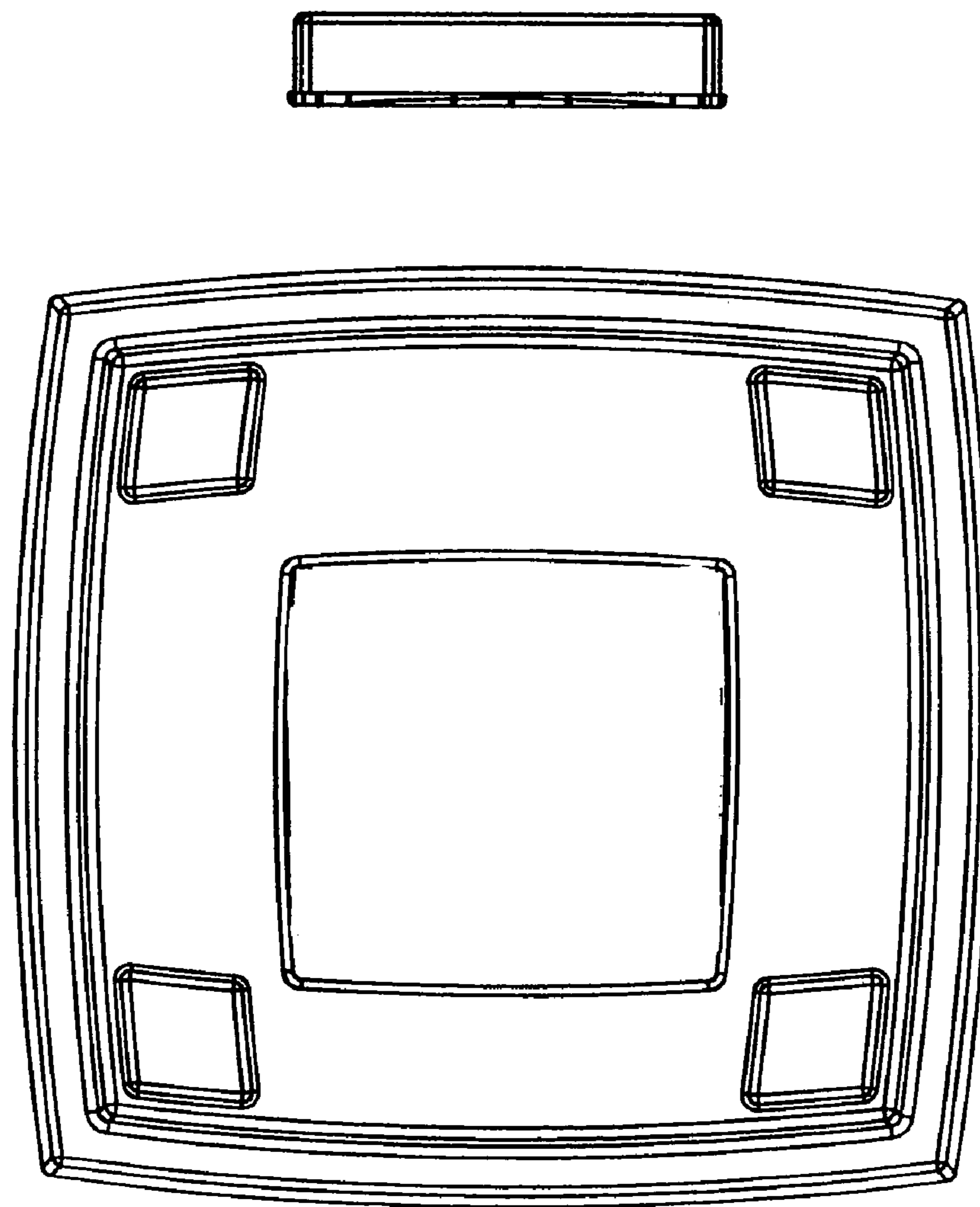


FIG. 24

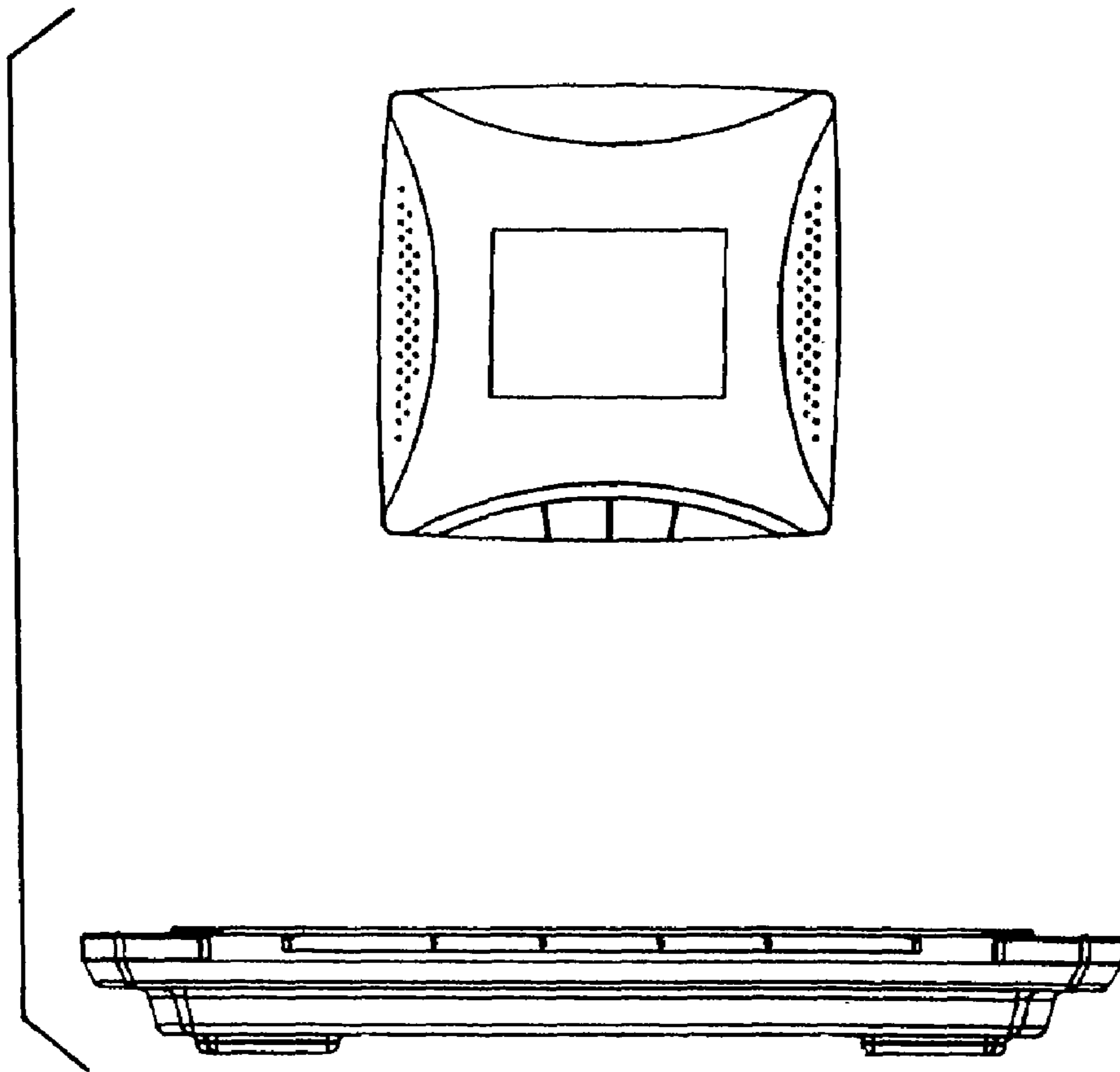


FIG. 25

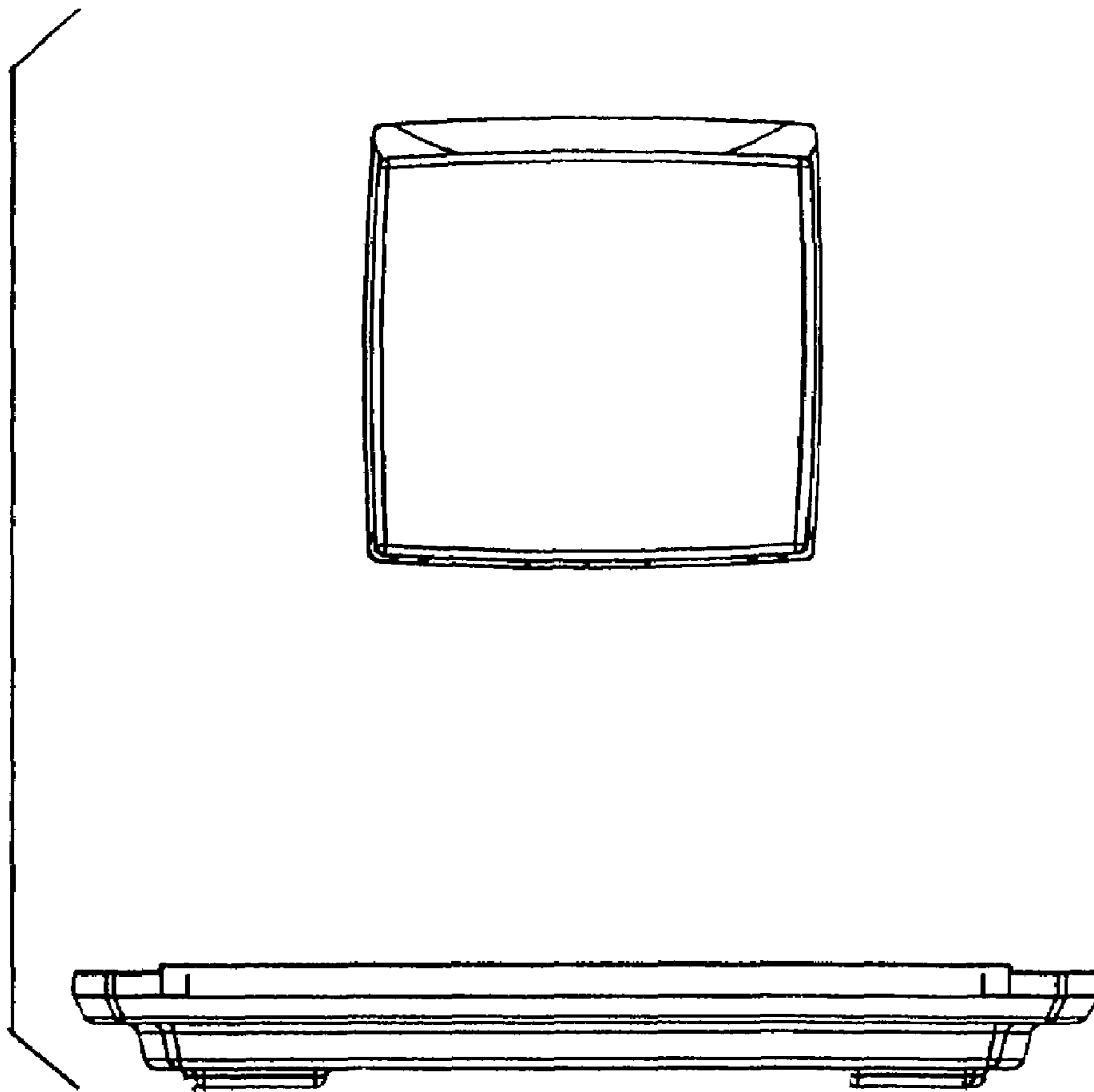


FIG. 26

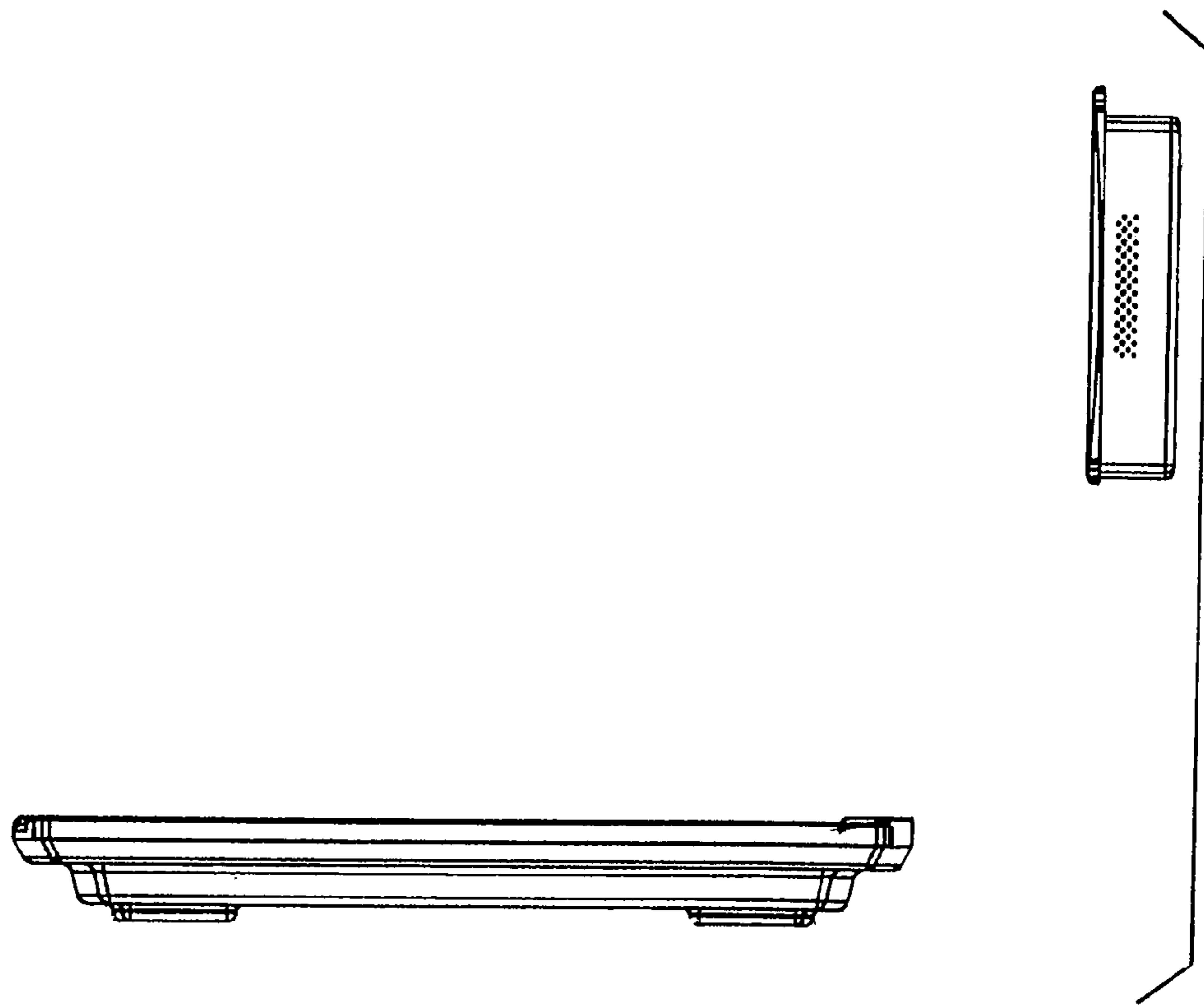


FIG. 27

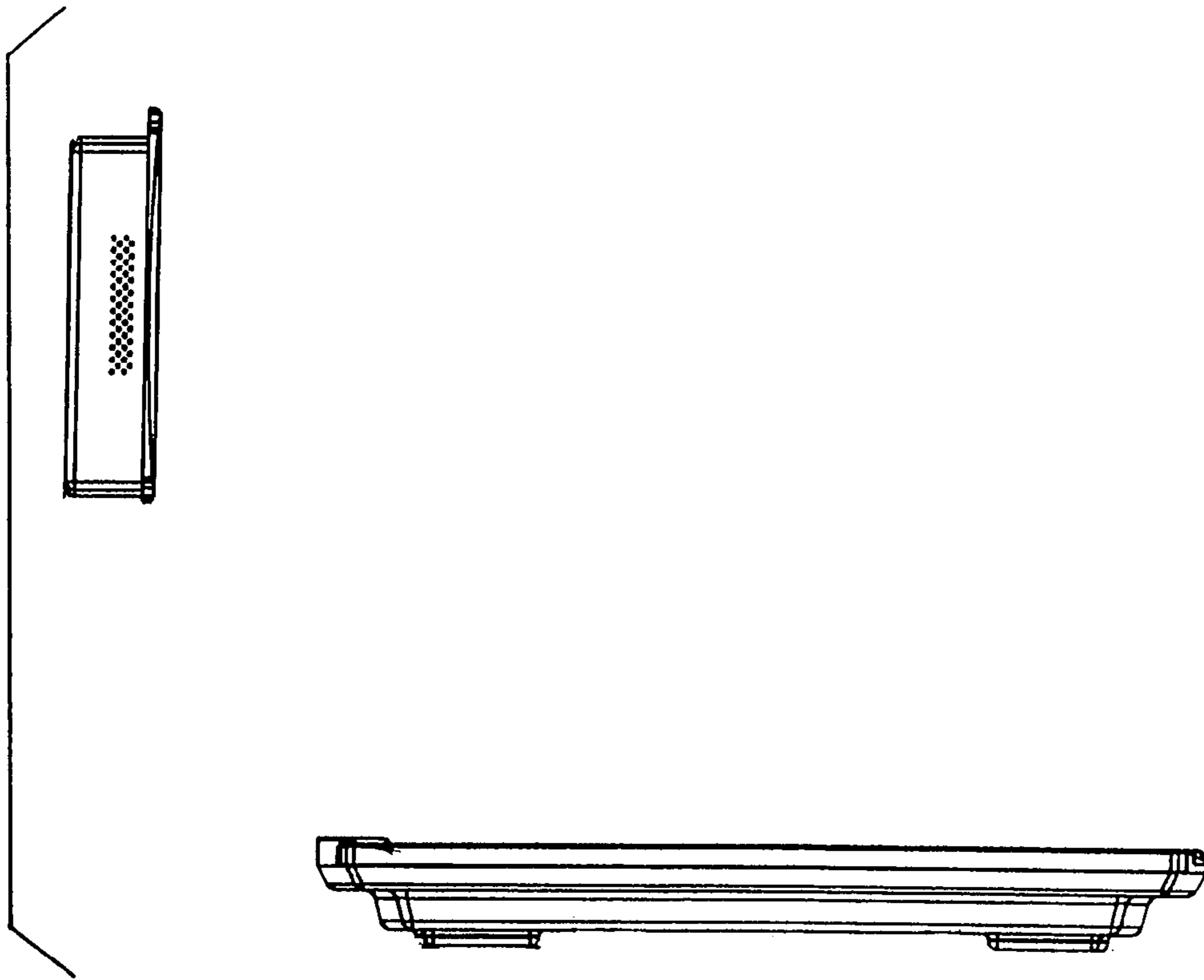


FIG. 28