



US00D547215S

(12) **United States Design Patent**  
**Snider**

(10) **Patent No.:** **US D547,215 S**

(45) **Date of Patent:** **\*\* Jul. 24, 2007**

(54) **LASER LEVEL**

(75) Inventor: **Gregory S. Snider**, Baltimore, MD  
(US)

(73) Assignee: **Black & Decker Inc.**, Newark, DE  
(US)

(\*\*) Term: **14 Years**

(21) Appl. No.: **29/271,427**

(22) Filed: **Jan. 18, 2007**

**Related U.S. Application Data**

(63) Continuation of application No. 29/243,190, filed on  
Nov. 21, 2005, now Pat. No. Des. 538,684.

(51) **LOC (8) Cl.** ..... **10-04**

(52) **U.S. Cl.** ..... **D10/69**

(58) **Field of Classification Search** ..... D10/69;  
33/365, 366.11-366.17, 367-391  
See application file for complete search history.

(56) **References Cited**

**U.S. PATENT DOCUMENTS**

D474,985 S \* 5/2003 Cooper et al. .... D10/69  
D478,824 S \* 8/2003 Concari ..... D10/69  
D494,483 S \* 8/2004 Marshall et al. .... D10/69

D498,151 S \* 11/2004 Cook ..... D10/69  
D504,339 S \* 4/2005 Snider ..... D10/69  
D504,832 S \* 5/2005 Snider et al. .... D10/69

\* cited by examiner

*Primary Examiner*—Antoine D. Davis

(74) *Attorney, Agent, or Firm*—Wesley W. Muller

(57) **CLAIM**

The ornamental design for a laser level, as shown and  
described.

**DESCRIPTION**

FIG. 1 is a perspective view of a laser level according to the  
present invention;

FIG. 2 is an elevated front view of the laser level of FIG. 1;

FIG. 3 is a rear elevation view of the laser level of FIG. 1;

FIG. 4 is a left side view of the laser level of FIG. 1;

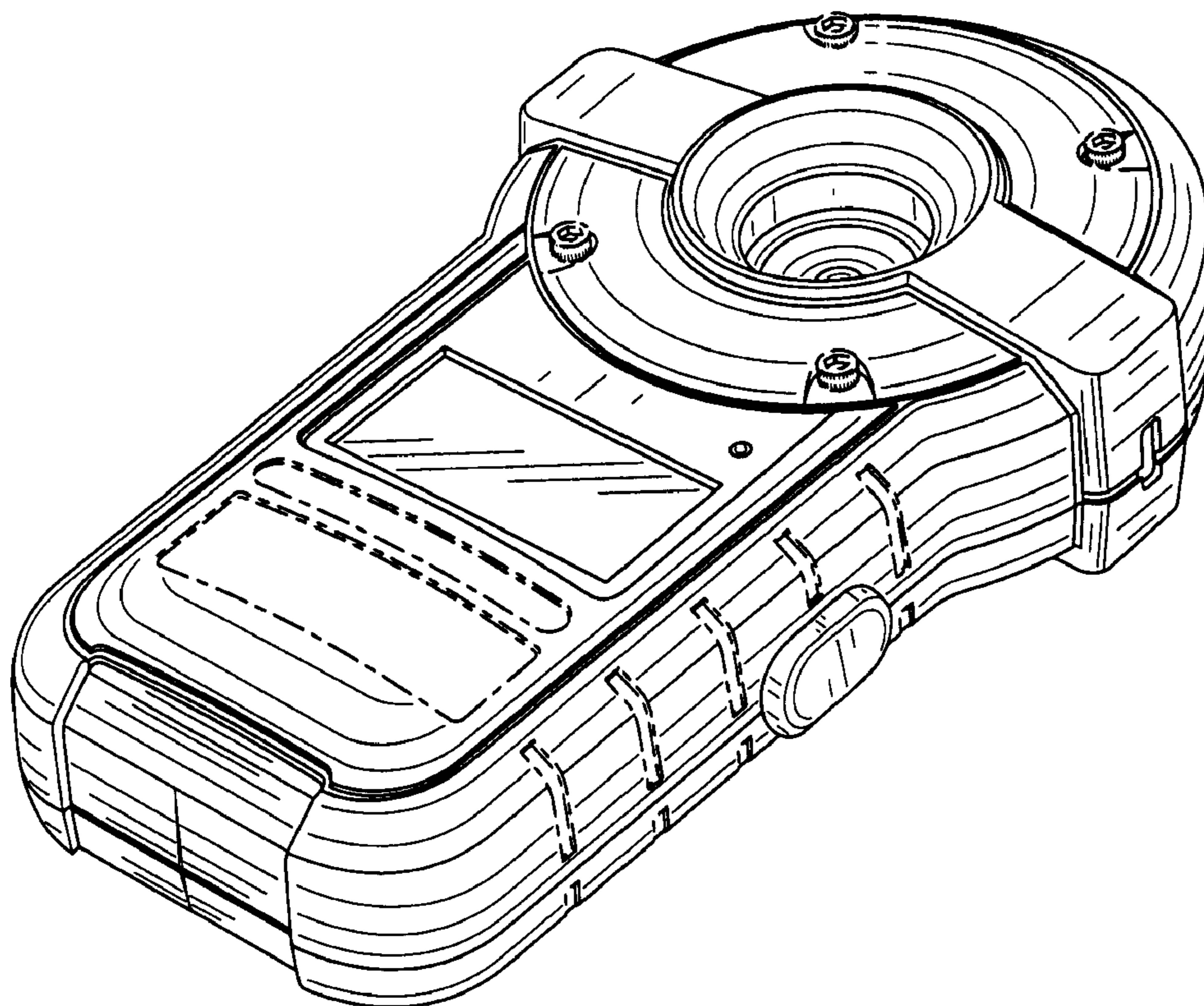
FIG. 5 is a right side view of the laser level of FIG. 1;

FIG. 6 is a top view of the laser level of FIG. 1; and,

FIG. 7 is a bottom view of the laser level of FIG. 1.

The broken lines in the figures merely illustrate the envi-  
ronment for the laser level of the present design and there-  
fore form no part of the claimed design.

**1 Claim, 5 Drawing Sheets**



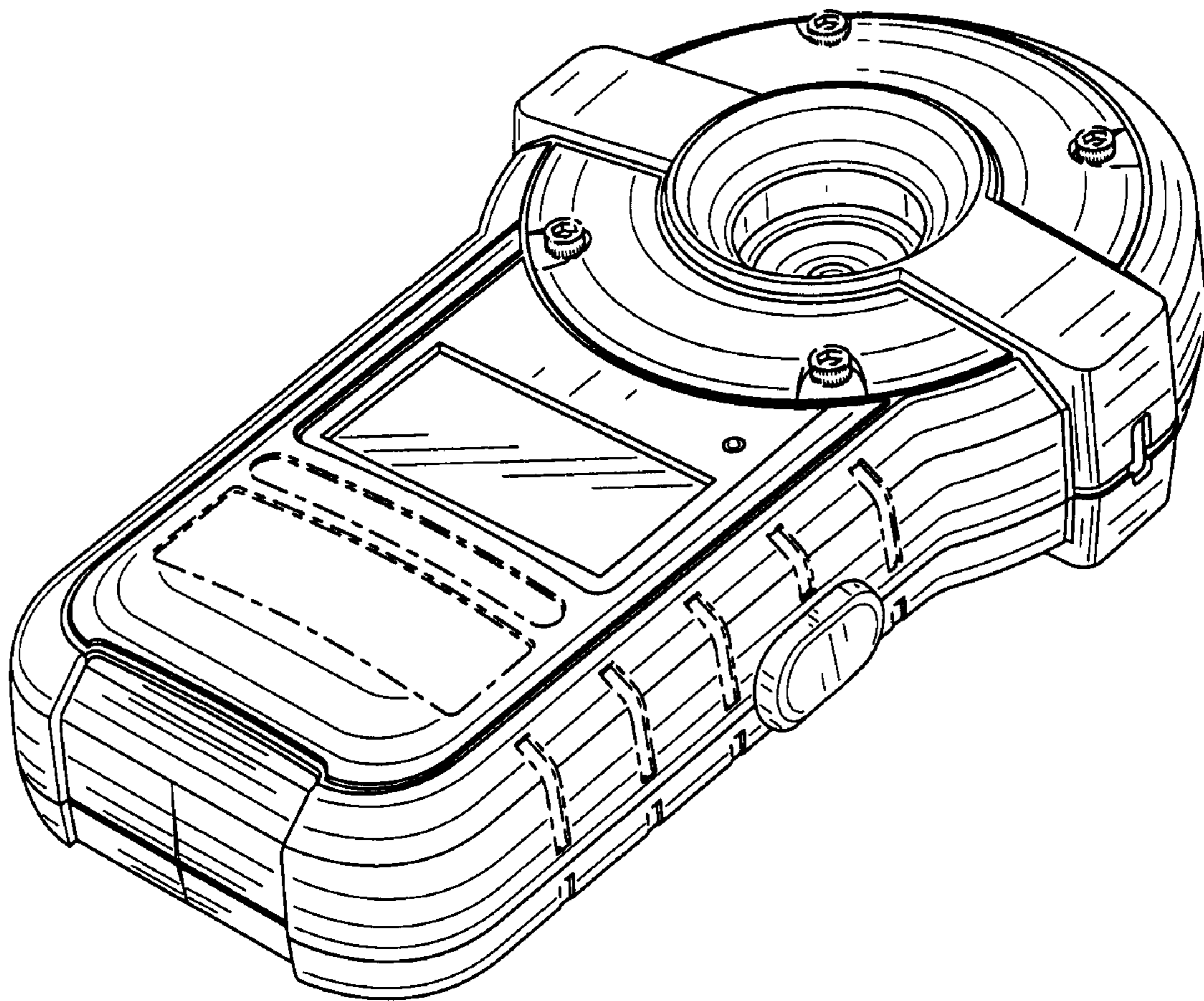


FIG. 1

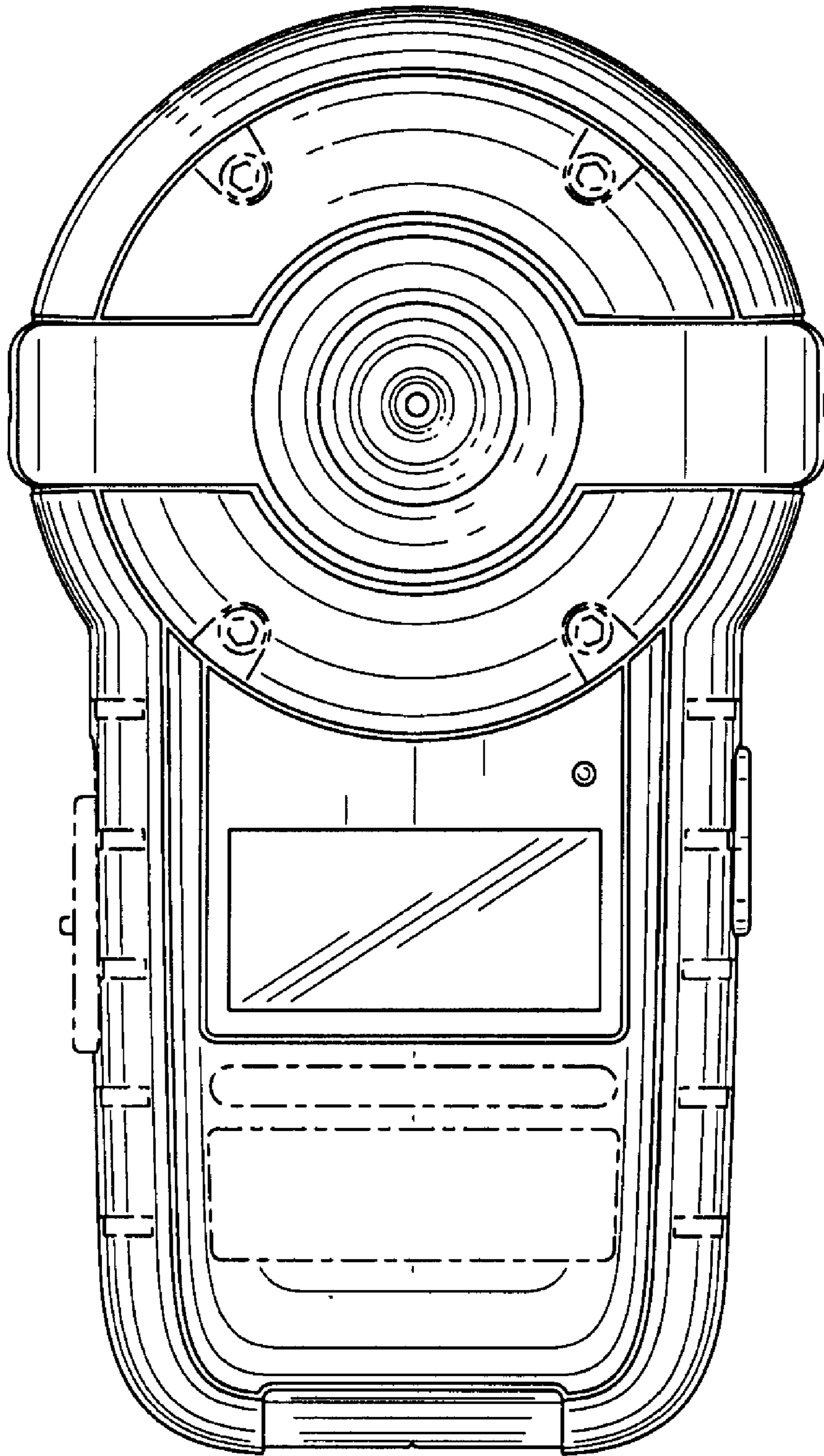


FIG. 2

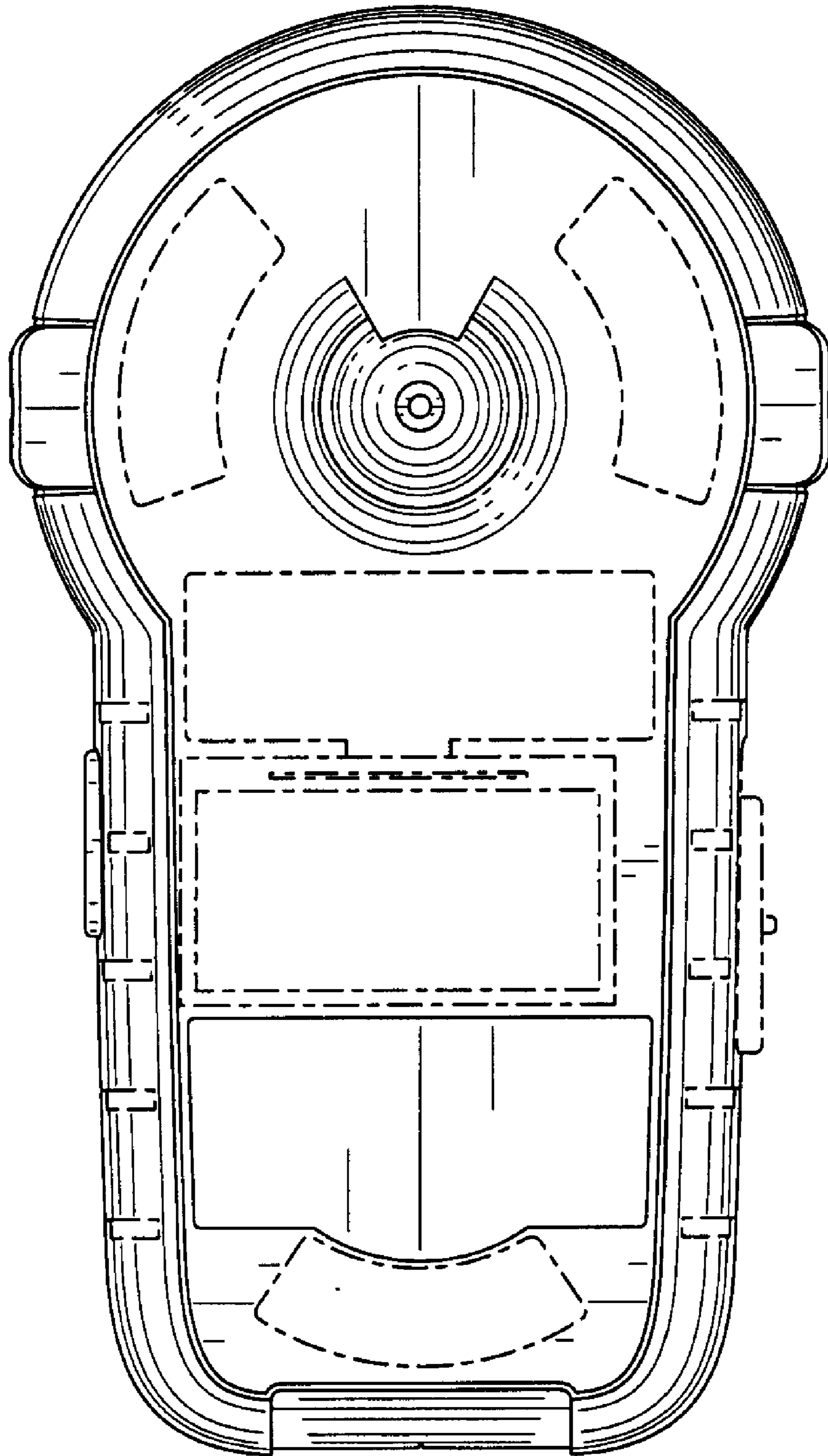


FIG. 3

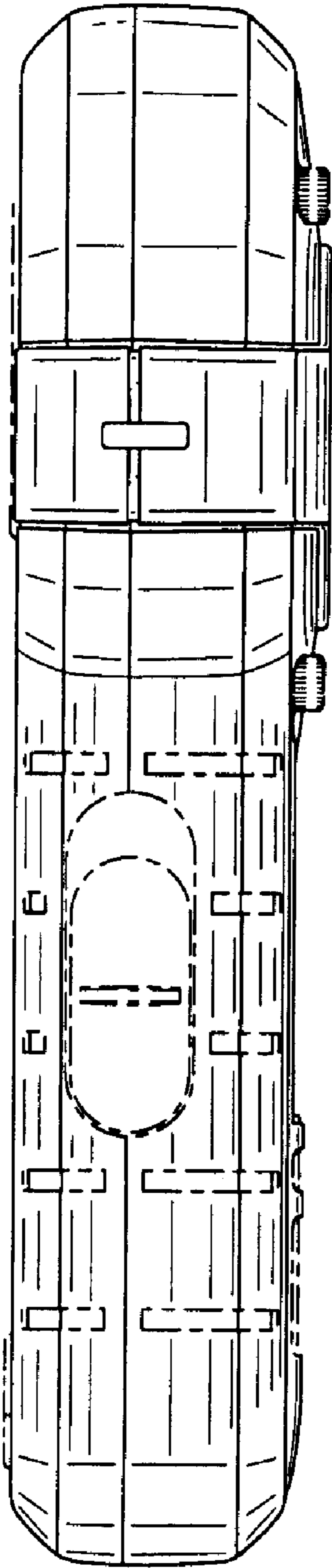


FIG. 4

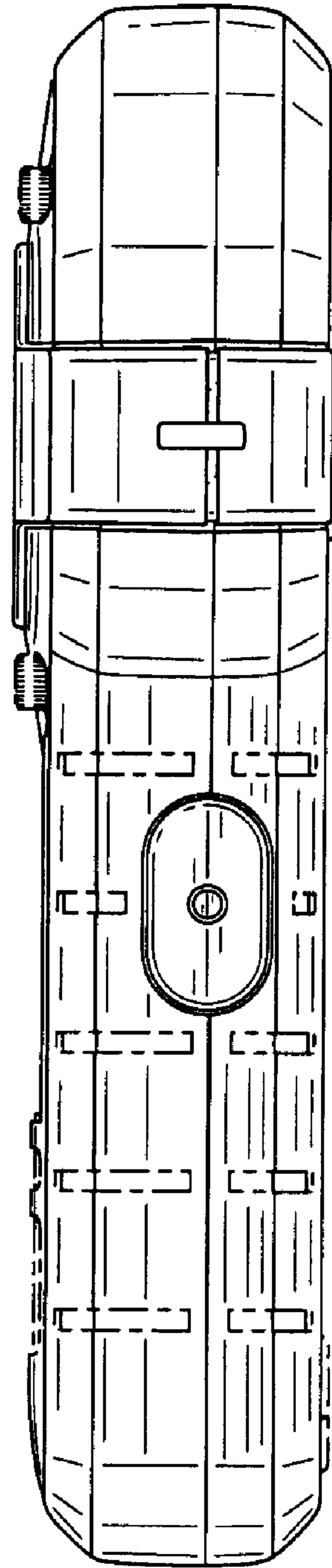


FIG. 5

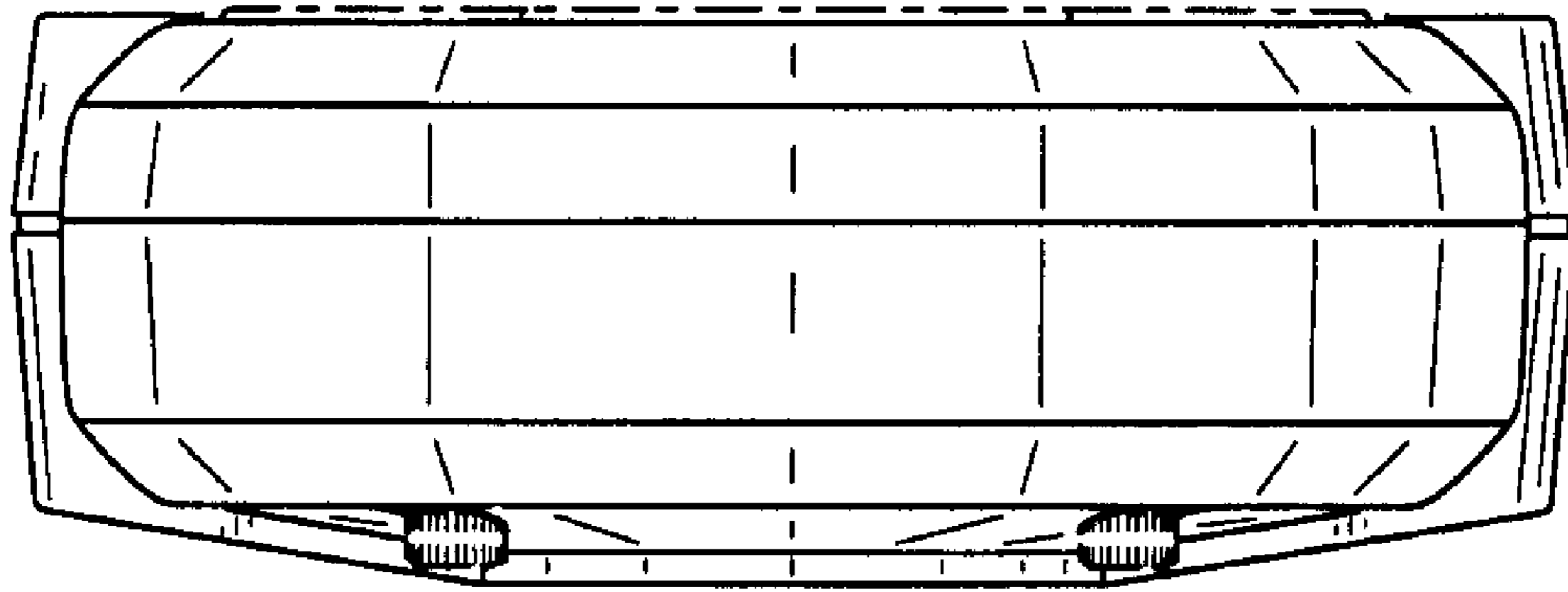


FIG. 6

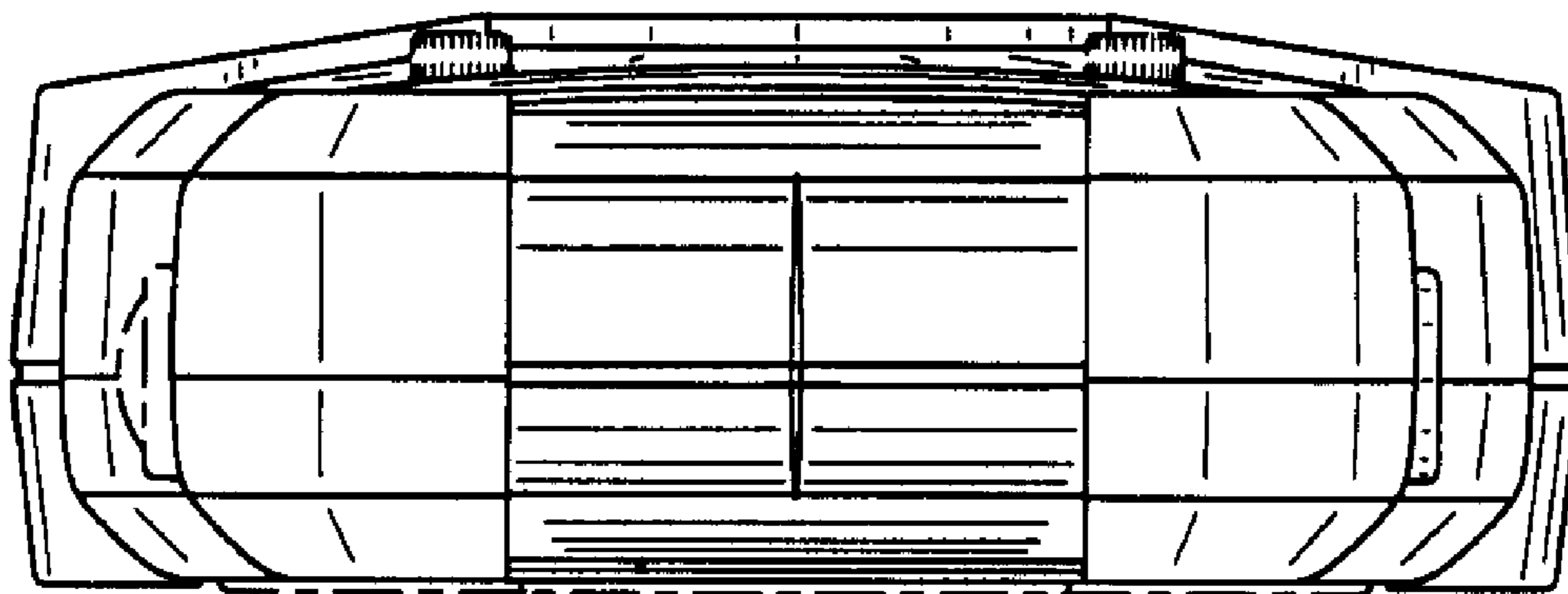


FIG. 7