



US00D547213S

(12) **United States Design Patent**
Bulgari

(10) **Patent No.:** **US D547,213 S**

(45) **Date of Patent:** **** Jul. 24, 2007**

(54) **WRIST WATCH**

D528,452 S * 9/2006 Coudray D10/126
D531,923 S * 11/2006 Kume et al. D10/126

(75) Inventor: **Paolo Bulgari**, Rome (IT)

* cited by examiner

(73) Assignee: **Bulgari S.p.A.**, Rome (IT)

Primary Examiner—Lucy Lieberman

(**) Term: **14 Years**

(74) *Attorney, Agent, or Firm*—Reising, Ethington, Barnes, Kisselle, P.C.

(21) Appl. No.: **29/265,226**

(22) Filed: **Aug. 28, 2006**

(57) **CLAIM**

(30) **Foreign Application Priority Data**

The ornamental design for a wrist watch, substantially as shown and described.

Mar. 2, 2006 (WO) DM/067822

DESCRIPTION

(51) **LOC (8) Cl.** **10-02**

(52) **U.S. Cl.** **D10/39**

(58) **Field of Classification Search** D10/30–39,
D10/123–126; 368/276, 277, 281, 282, 285,
368/223, 228, 232, 21, 28, 80
See application file for complete search history.

FIG. 1 shows a perspective view of the wrist watch;

FIG. 2 shows a perspective from the rear side of the case of the wrist watch;

FIG. 3 shows a front view of the wrist watch;

FIG. 4 shows a left side view of the wrist watch;

FIG. 5 shows a rear view of the wrist watch;

FIG. 6 shows a right side of the wrist watch;

FIG. 7 shows a top view of the wrist watch from VII of FIG. 3; and,

FIG. 8 shows a bottom view of the wrist watch from VIII of FIG. 5.

The broken lines showing a portion of a watch strap are for illustrative purposes only and do not form part of the claimed design.

(56) **References Cited**

U.S. PATENT DOCUMENTS

- D178,771 S * 9/1956 Doerwald D10/39
- D264,188 S * 5/1982 Bvlgari D10/39
- D271,471 S * 11/1983 Bulgari D10/32
- D312,587 S * 12/1990 Bulgari D10/32
- D324,655 S * 3/1992 Bulgari D10/37
- D362,634 S * 9/1995 Bulgari D10/39
- D447,063 S * 8/2001 Scheufele D10/30
- D473,473 S * 4/2003 Wunderman D10/32
- D508,859 S * 8/2005 Ho D10/30
- D517,927 S * 3/2006 Enomoto et al. D10/32

1 Claim, 1 Drawing Sheet

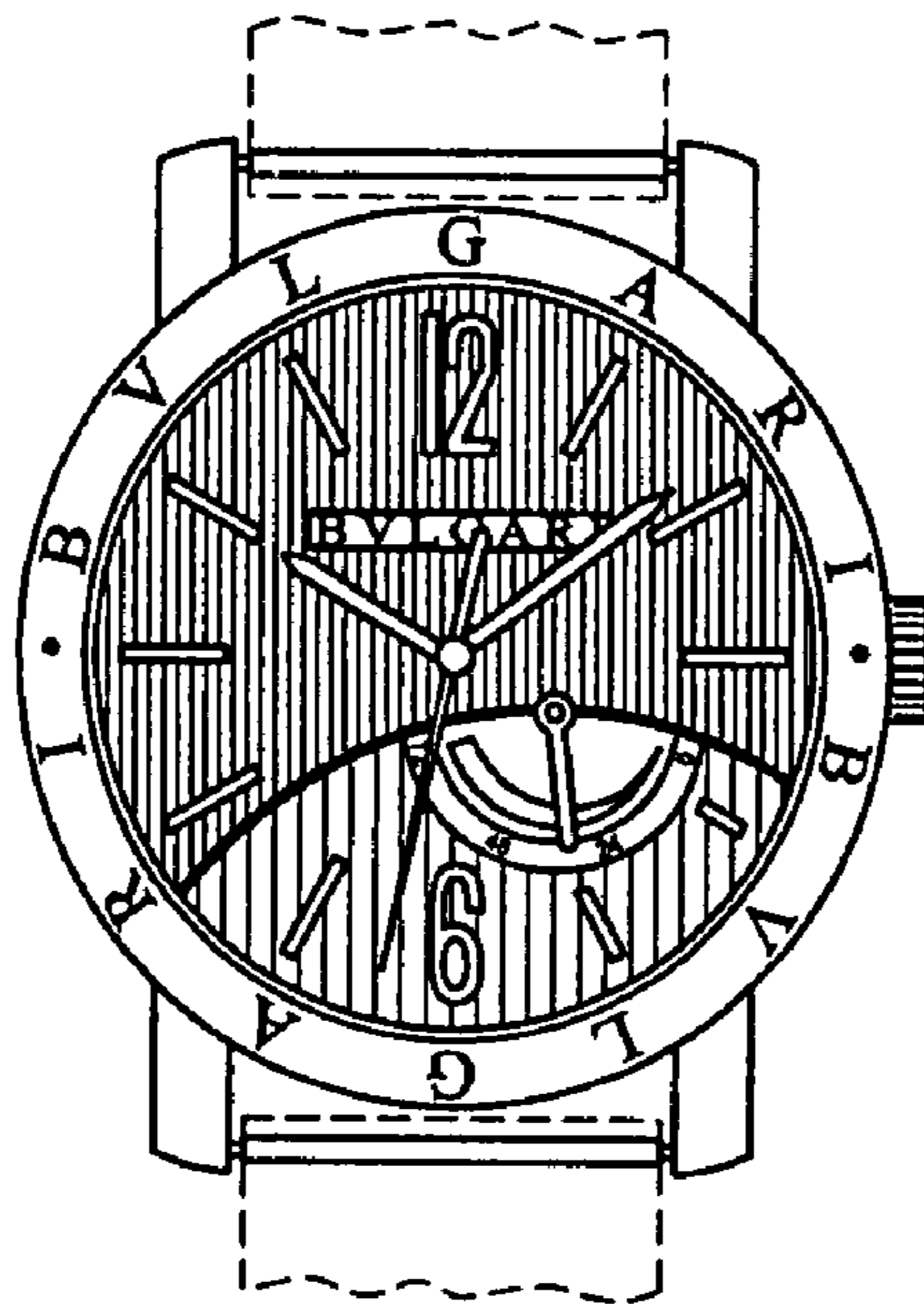


Fig. 1

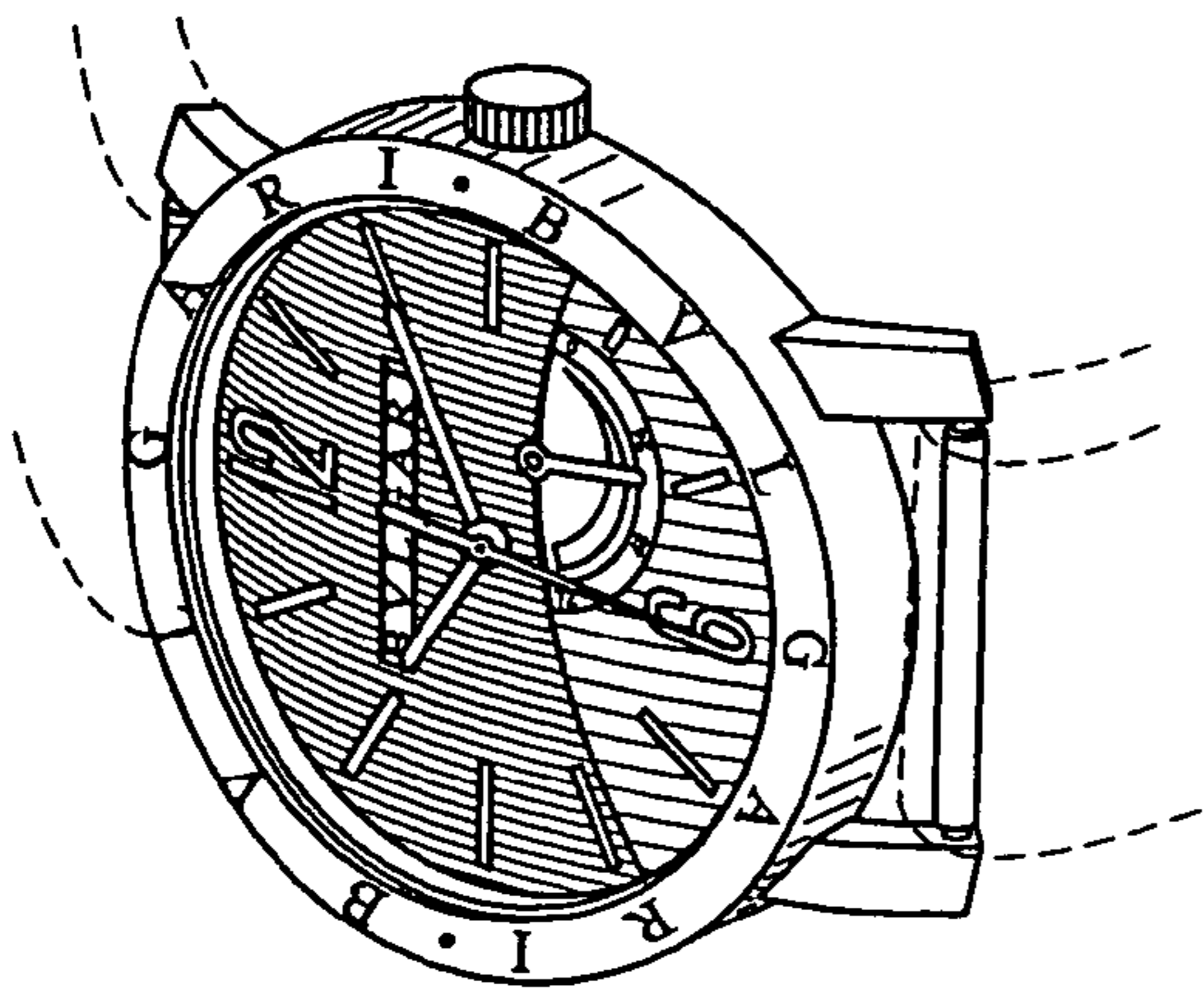


Fig. 3

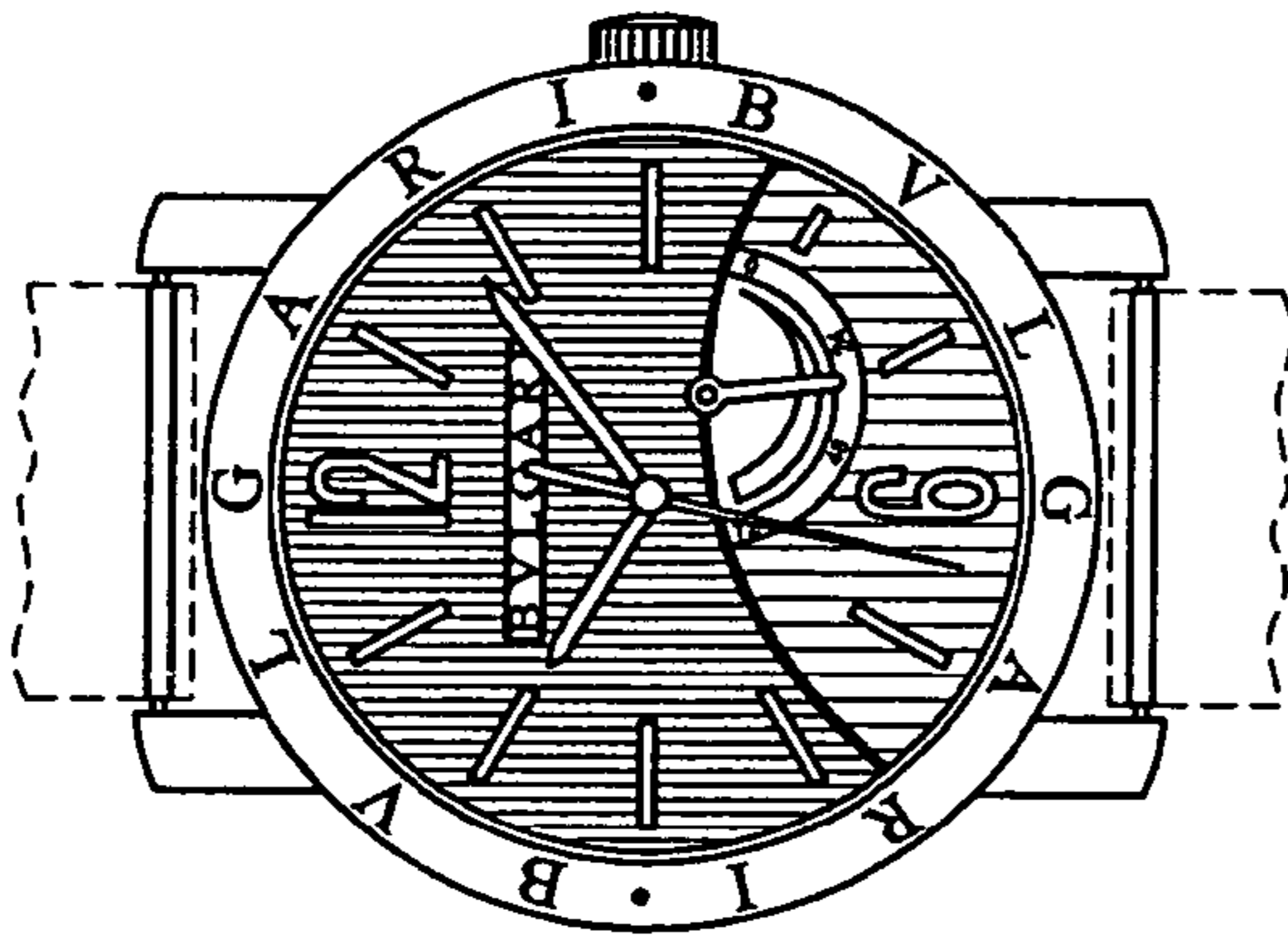


Fig. 4

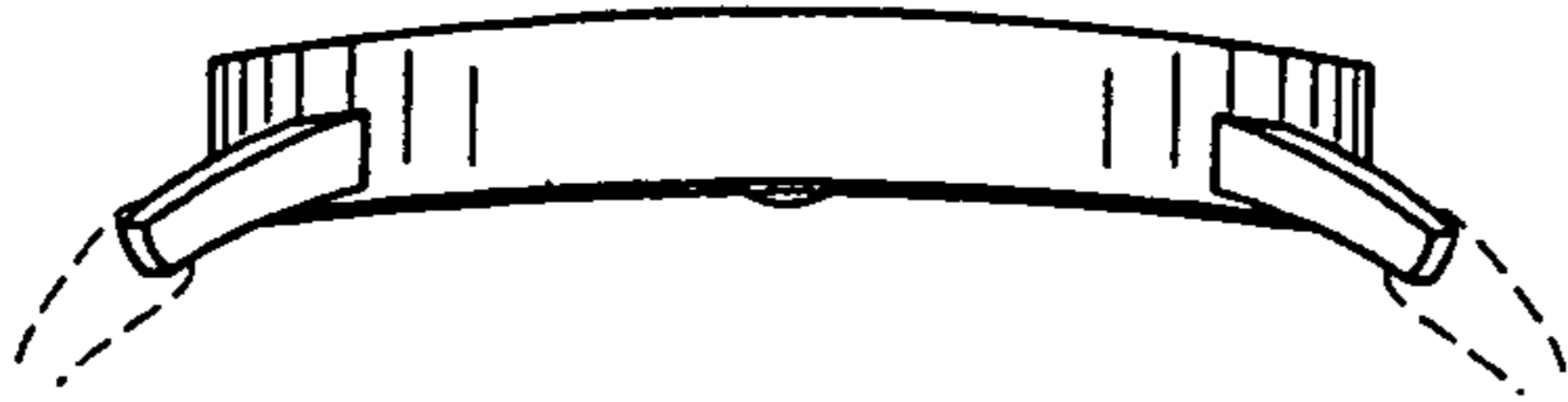


Fig. 5

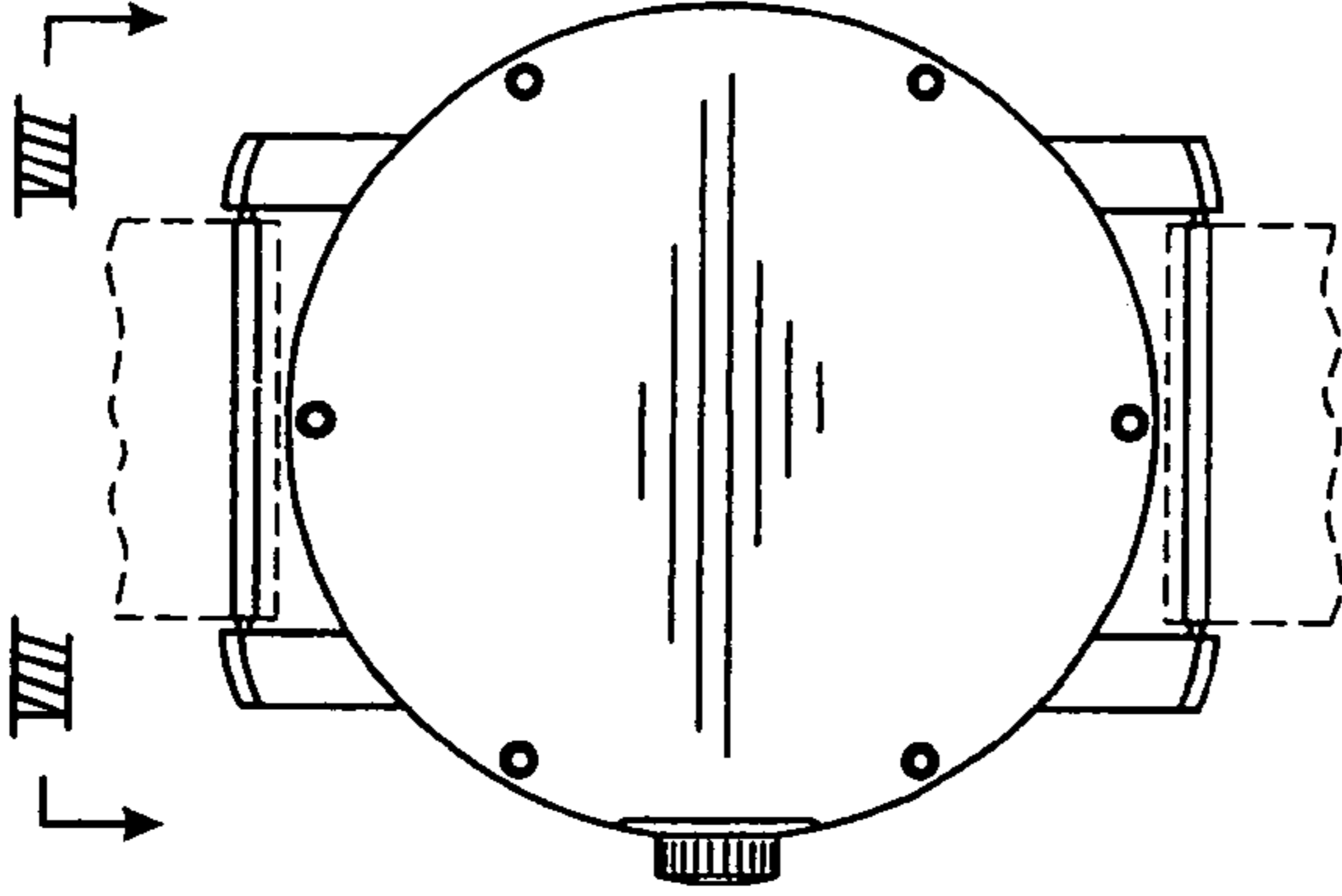


Fig. 6

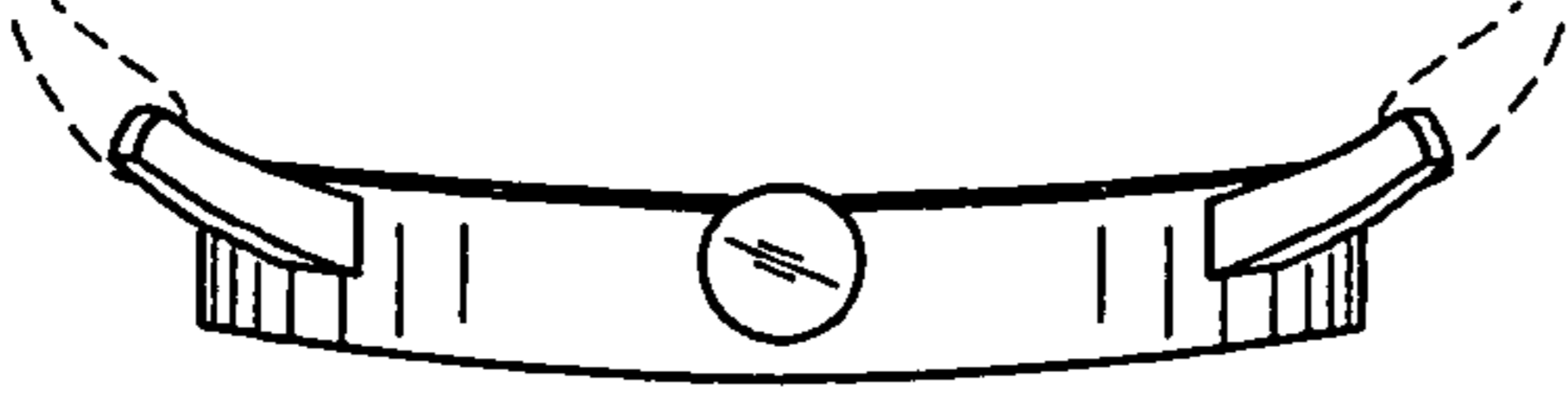


Fig. 2

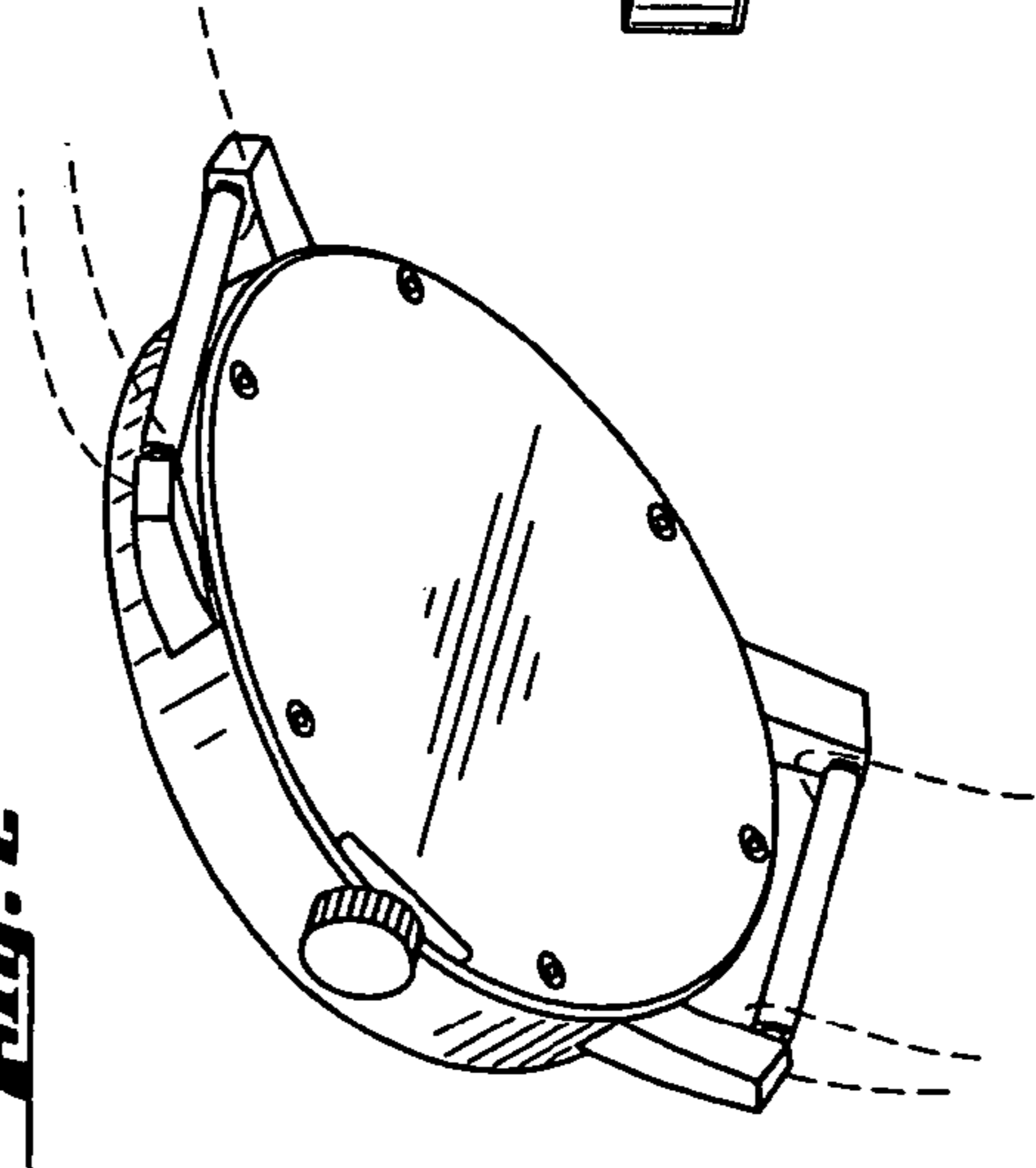


Fig. 7

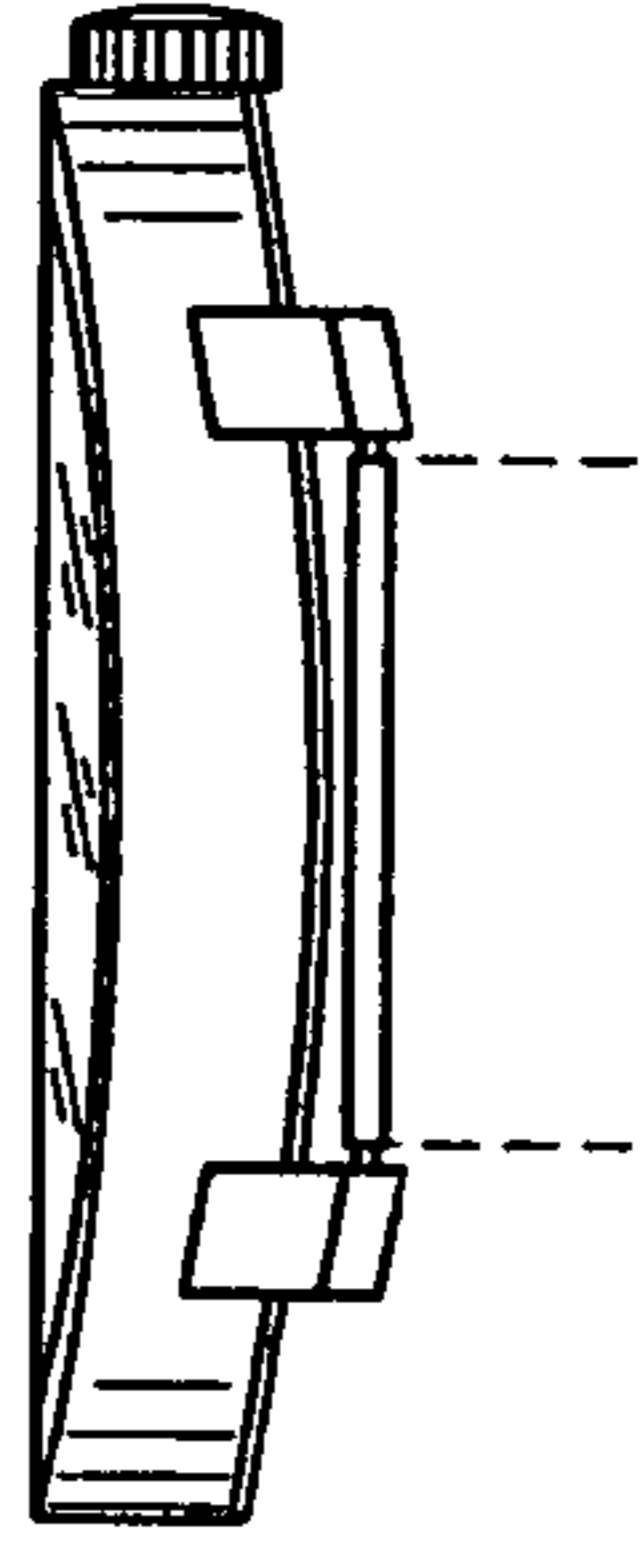


Fig. 8

