

US00D547203S

(12) **United States Design Patent**
Herzog et al.

(10) **Patent No.:** **US D547,203 S**

(45) **Date of Patent:** **** Jul. 24, 2007**

(54) **PACKAGING WITH PRE-FILLED CONICAL GLASSES**

(75) Inventors: **Mordechai Herzog**, Brooklyn, NY
(US); **Andrew Wahl**, New York, NY
(US)

(73) Assignee: **Mystique Brands, LLC**, Brooklyn

(**) Term: **14 Years**

(21) Appl. No.: **29/262,846**

(22) Filed: **Jul. 11, 2006**

(51) **LOC (8) Cl.** **09-03**

(52) **U.S. Cl.** **D9/716**

(58) **Field of Classification Search** D9/715,
D9/716, 718, 719, 721, 763, 772, 780, 500,
D9/501, 503, 504, 556, 414, 418, 424, 428,
D9/430, 432; D7/521-524, 601, 602, 609,
D7/610, 612, 213, 300, 387, 398, 400; 206/216,
206/524.1, 527; 220/592.16, 592.17, 600,
220/660, 675, 890; 215/387; 229/400
See application file for complete search history.

(56) **References Cited**

U.S. PATENT DOCUMENTS

D259,768 S * 7/1981 Banasiak, Jr. D9/780
D263,447 S * 3/1982 Brown D9/721

D278,600 S * 4/1985 Fortuna D9/556
D362,179 S * 9/1995 Kaplan D9/418
D424,430 S * 5/2000 Seidler D9/715
D424,932 S * 5/2000 Seidler D9/715
D429,148 S * 8/2000 Seidler D9/418
D468,636 S * 1/2003 Weinstein et al. D9/418
D478,808 S * 8/2003 Dubiel et al. D9/716

* cited by examiner

Primary Examiner—Stella Reid

Assistant Examiner—Shanda C. Hill

(74) *Attorney, Agent, or Firm*—Darby & Darby

(57) **CLAIM**

The ornamental design for a packaging with pre-filled conical glasses, as shown and described.

DESCRIPTION

FIG. 1 is a top perspective view of a packaging with pre-filled conical glasses, showing our new design;

FIG. 2 is a side plan view thereof;

FIG. 3 is a top plan view thereof; and,

FIG. 4 is a bottom plan view thereof.

The broken lines shown in the drawing disclosure are for illustrative purposes only and form no part of the claimed design.

1 Claim, 2 Drawing Sheets

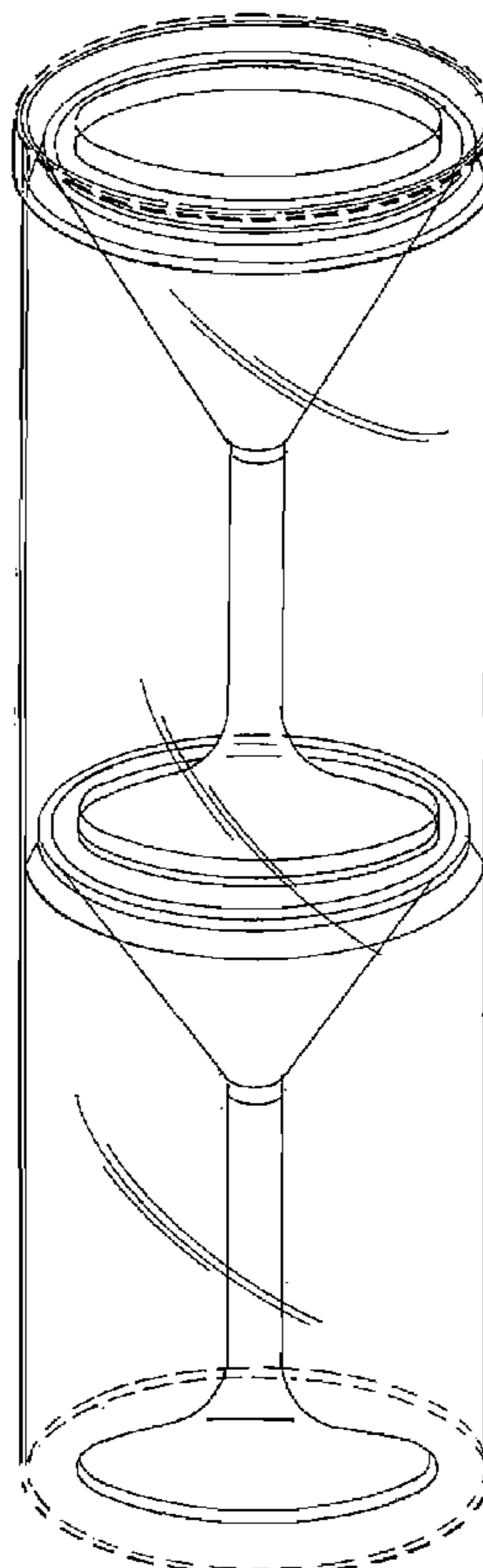


FIG. 1

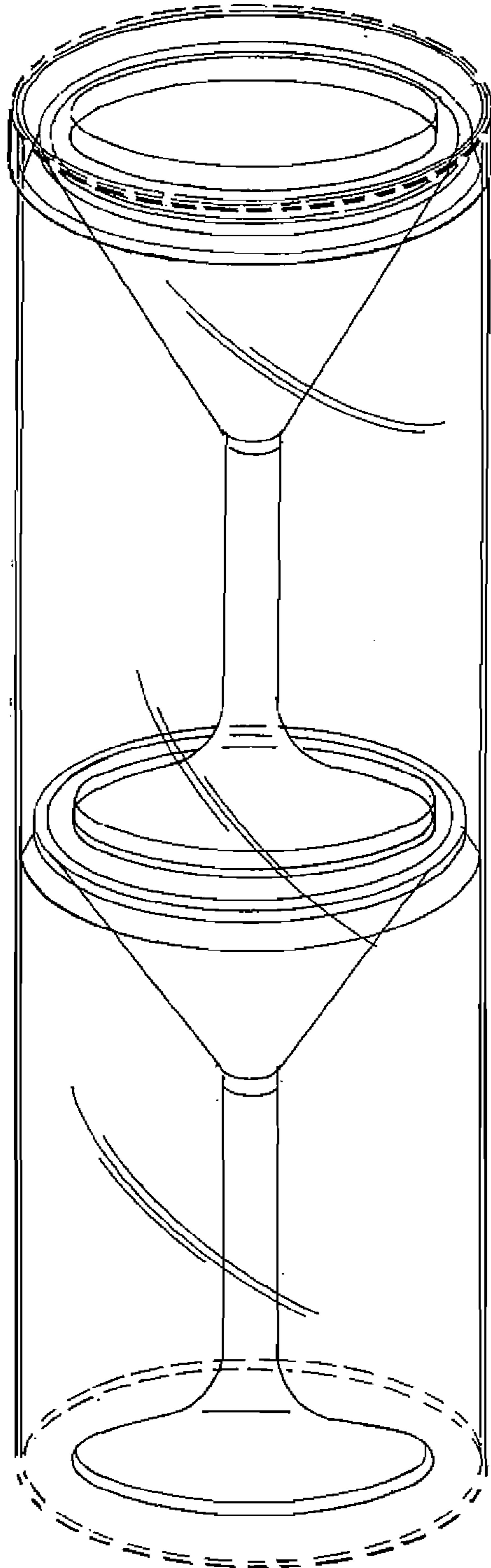


FIG. 3

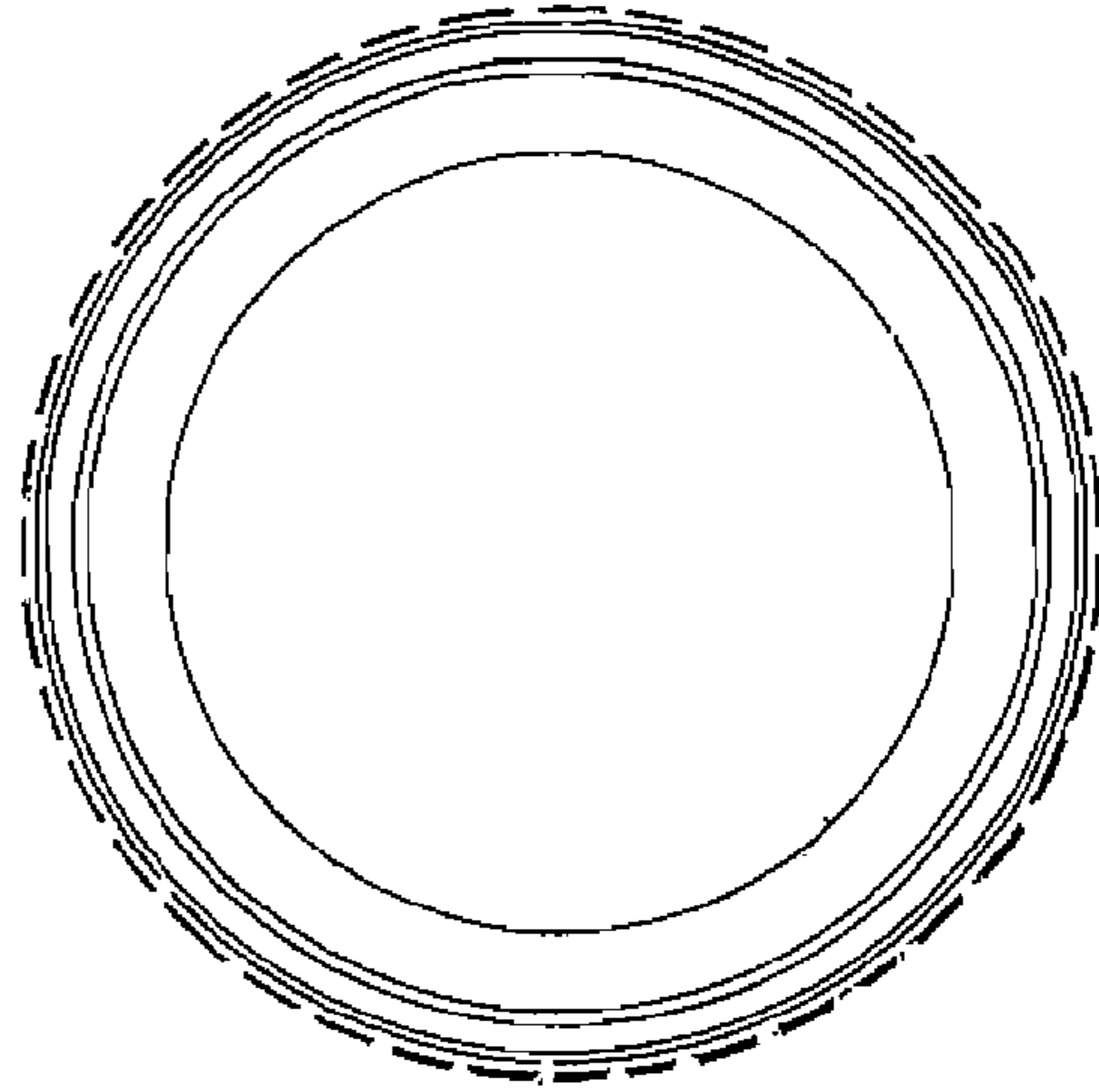


FIG. 4

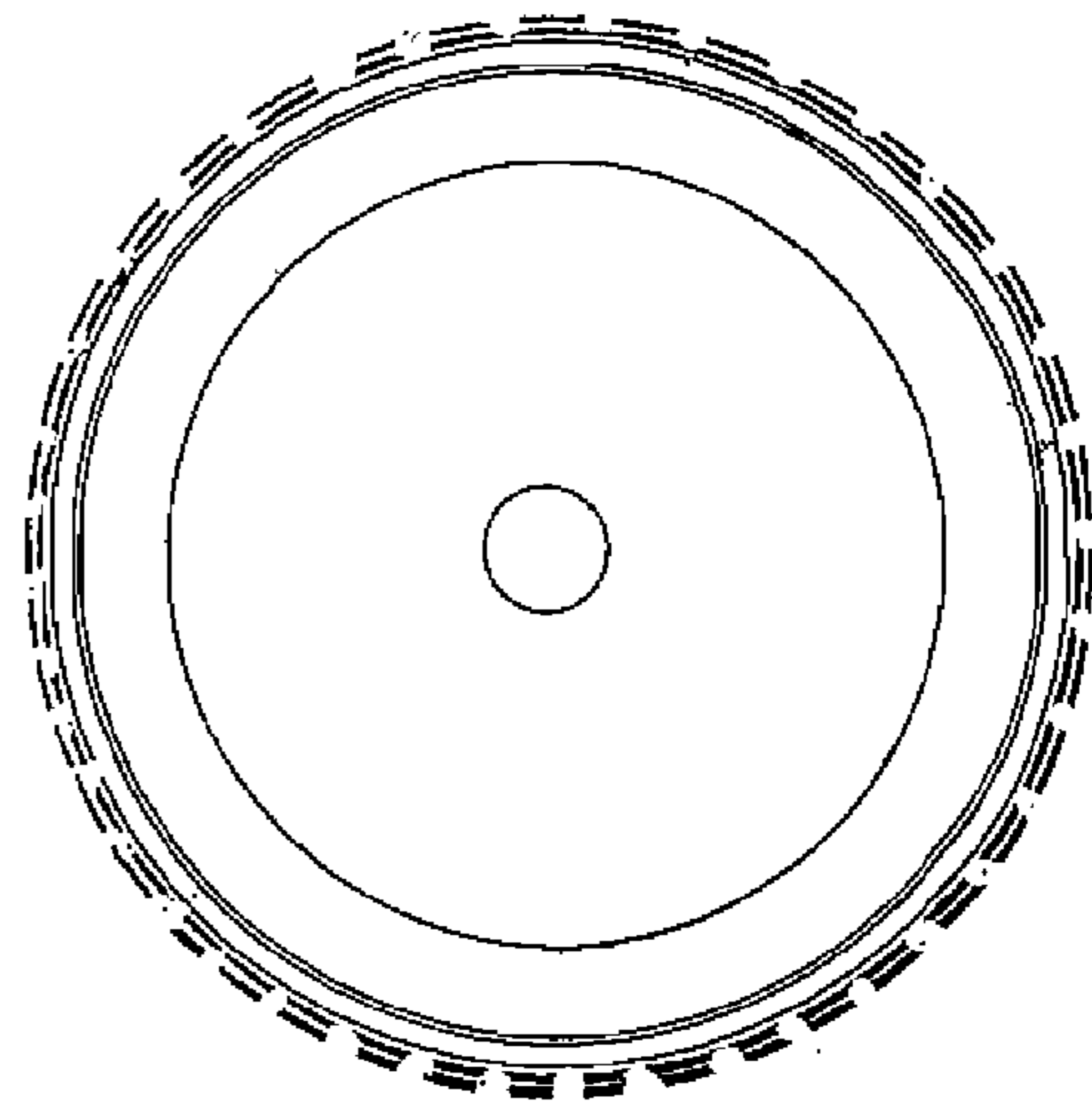


FIG. 2

