



US00D547195S

(12) **United States Design Patent**
Yourist et al.

(10) **Patent No.:** **US D547,195 S**
(45) **Date of Patent:** **** Jul. 24, 2007**

(54) **PLASTIC CONTAINER**

(75) Inventors: **Sheldon Yourist**, York, PA (US); **Angie Noll**, York, PA (US)

(73) Assignee: **Graham Packaging Company, L.P.**, York, PA (US)

(**) Term: **14 Years**

(21) Appl. No.: **29/213,034**

(22) Filed: **Sep. 13, 2004**

(51) **LOC (8) Cl.** **09-01**

(52) **U.S. Cl.** **D9/539; D9/556; D9/557**

(58) **Field of Classification Search** D9/516,
D9/522, 530, 537-539, 541-542, 549-551,
D9/556, 558, 560, 563-564, 569, 571-574,
D9/763, 772-773, 776, 779; 215/379, 381-382,
215/385; 220/660, 662, 669
See application file for complete search history.

(56) **References Cited**

U.S. PATENT DOCUMENTS

D256,775 S * 9/1980 Voithl D9/503
D479,999 S * 9/2003 Moore D9/500

FOREIGN PATENT DOCUMENTS

EM 000403969-0006 * 12/2005
GB 2105634 * 10/2001

* cited by examiner

Primary Examiner—Ian Simmons

Assistant Examiner—Dana Sipos

(74) *Attorney, Agent, or Firm*—Knoble Yoshida & Dunleavy, LLC

(57) **CLAIM**

The ornamental design for a plastic container, as shown and described.

DESCRIPTION

FIG. 1 is a top, front perspective view of a plastic container according to the present invention;

FIG. 2 is a front elevational view thereof, the left side, right side and rear elevational views being identical;

FIG. 3 is a side elevational view thereof, taken along an edge;

FIG. 4 is a bottom plan view thereof;

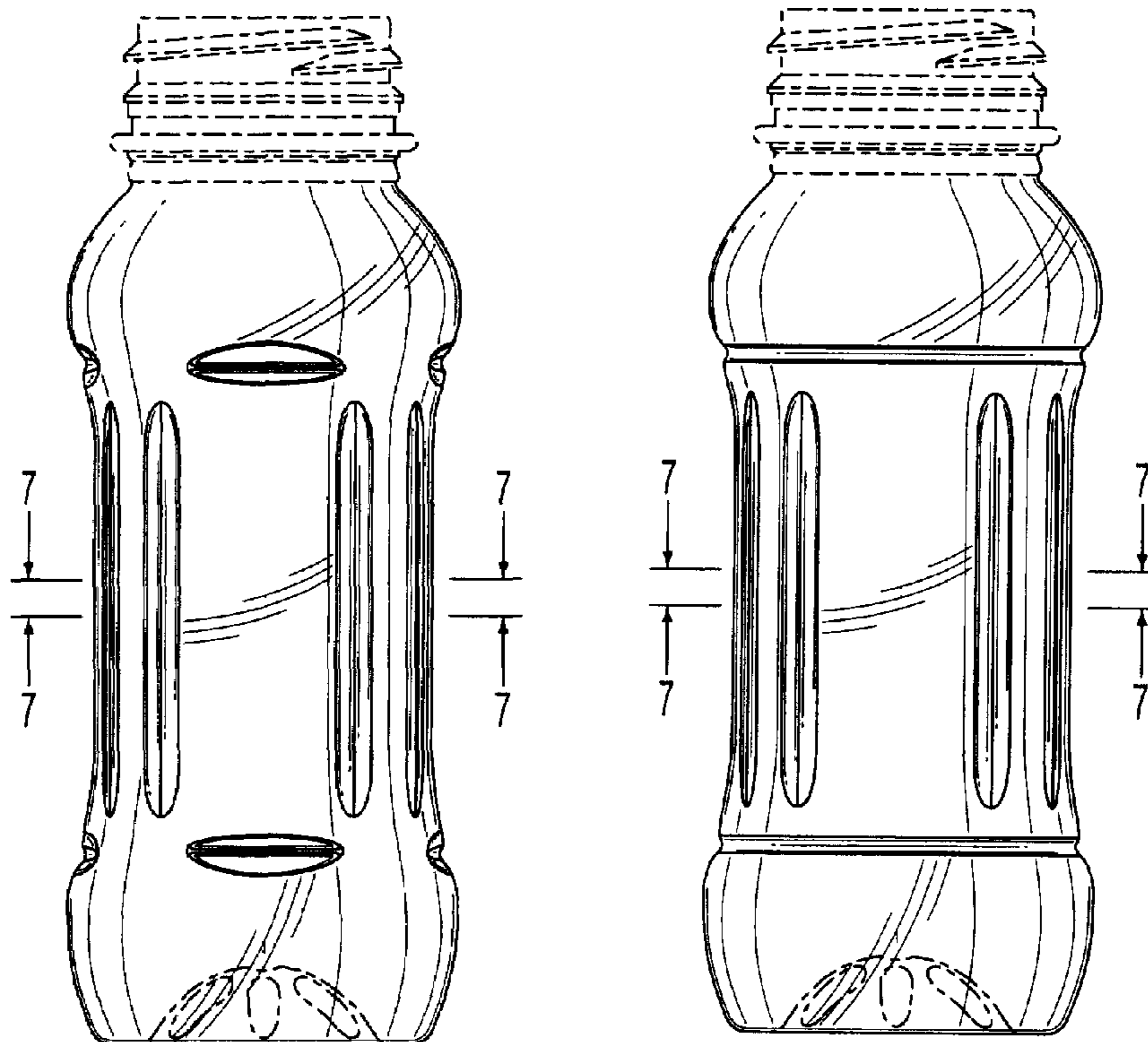
FIG. 5 is a top plan view thereof;

FIG. 6 is a front elevational view of a second embodiment of a plastic container of the present invention. The left side, right side and rear elevational views being identical. The top and bottom plan views are identical to that of Embodiment 1; and,

FIG. 7 is a cross-sectional view taken along the line 7-7 in FIGS. 2 & 6.

The broken lines shown in the drawings are for illustrative purposes only and form no part of the claimed design.

1 Claim, 6 Drawing Sheets



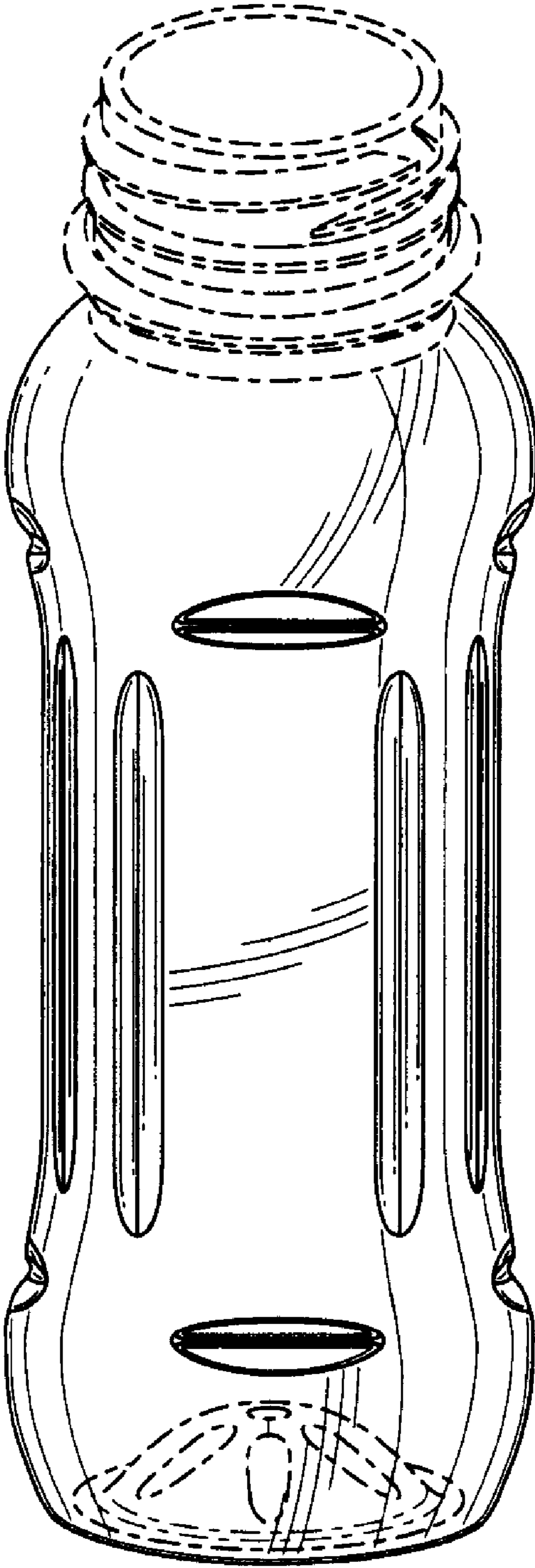


FIG. 1

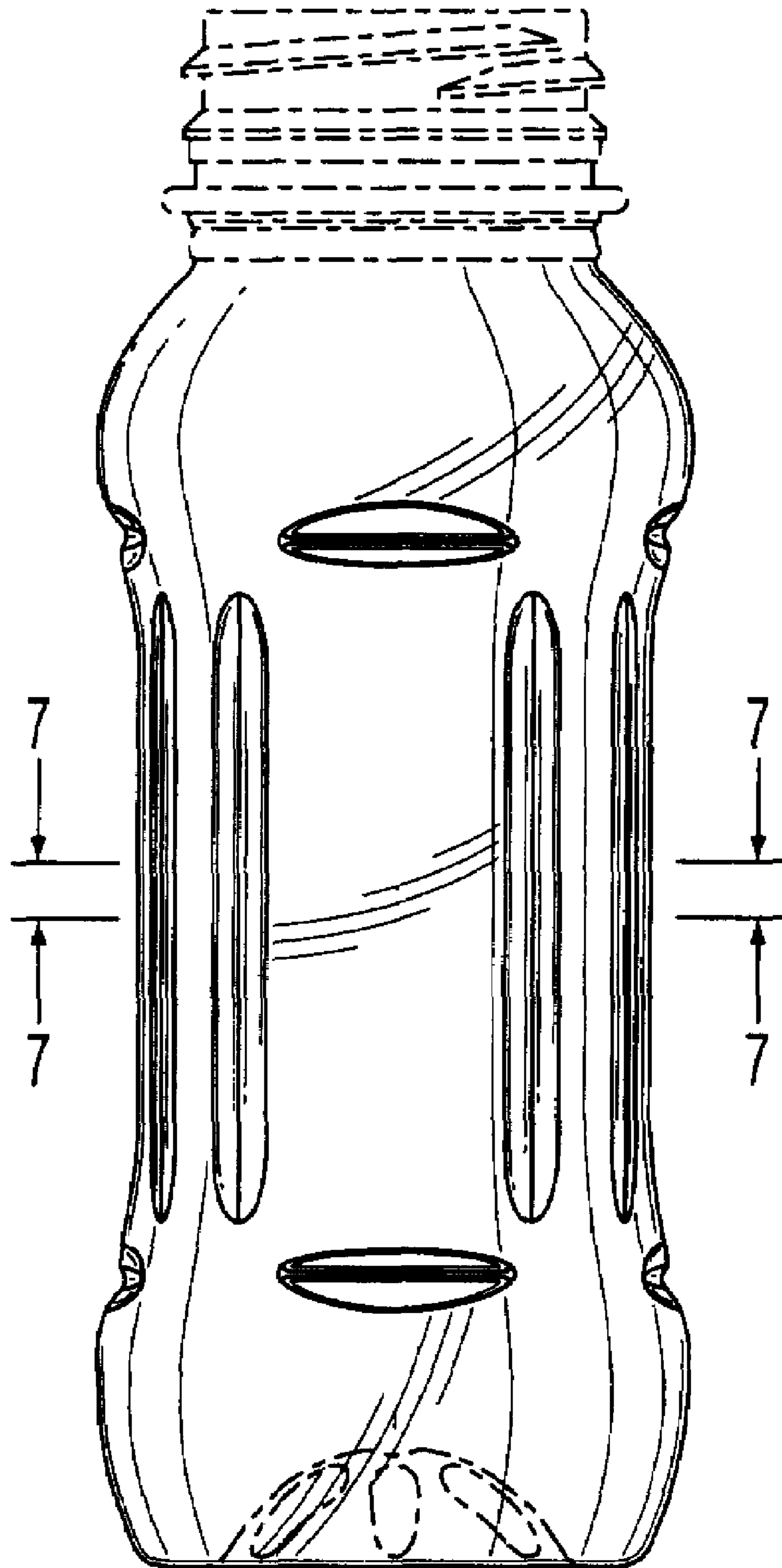


FIG. 2

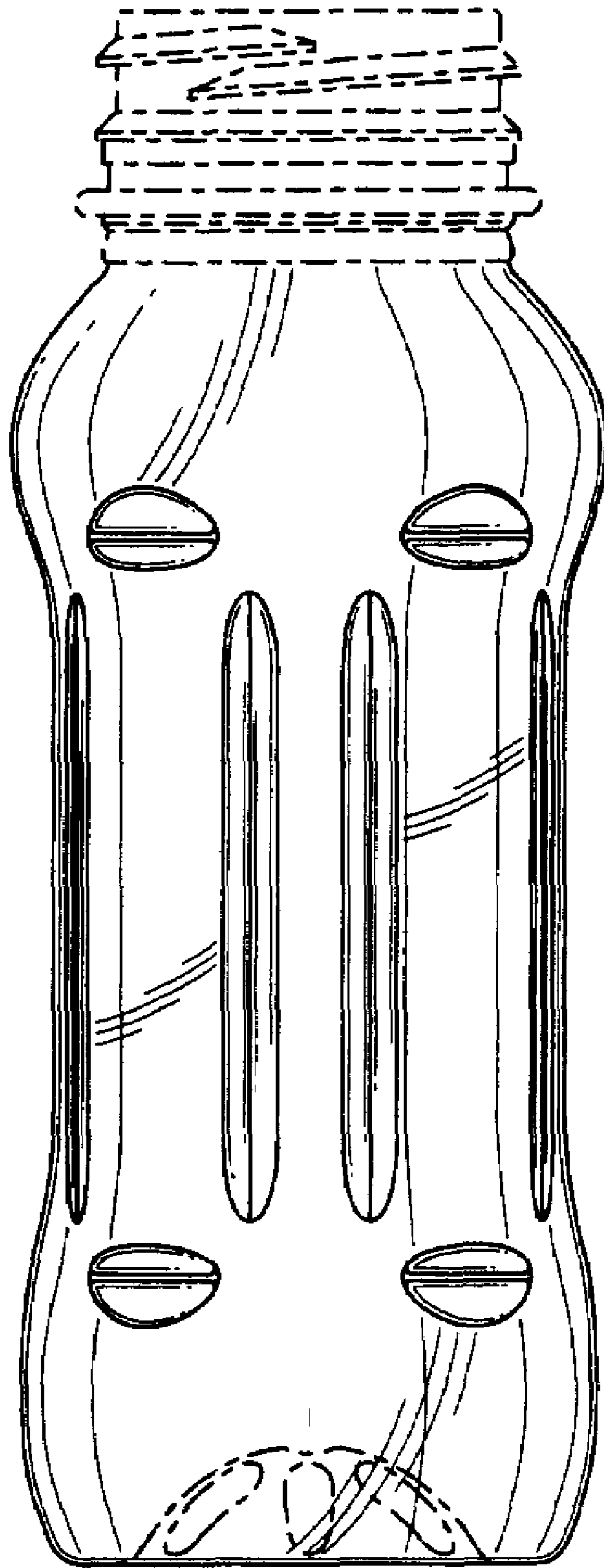


FIG. 3

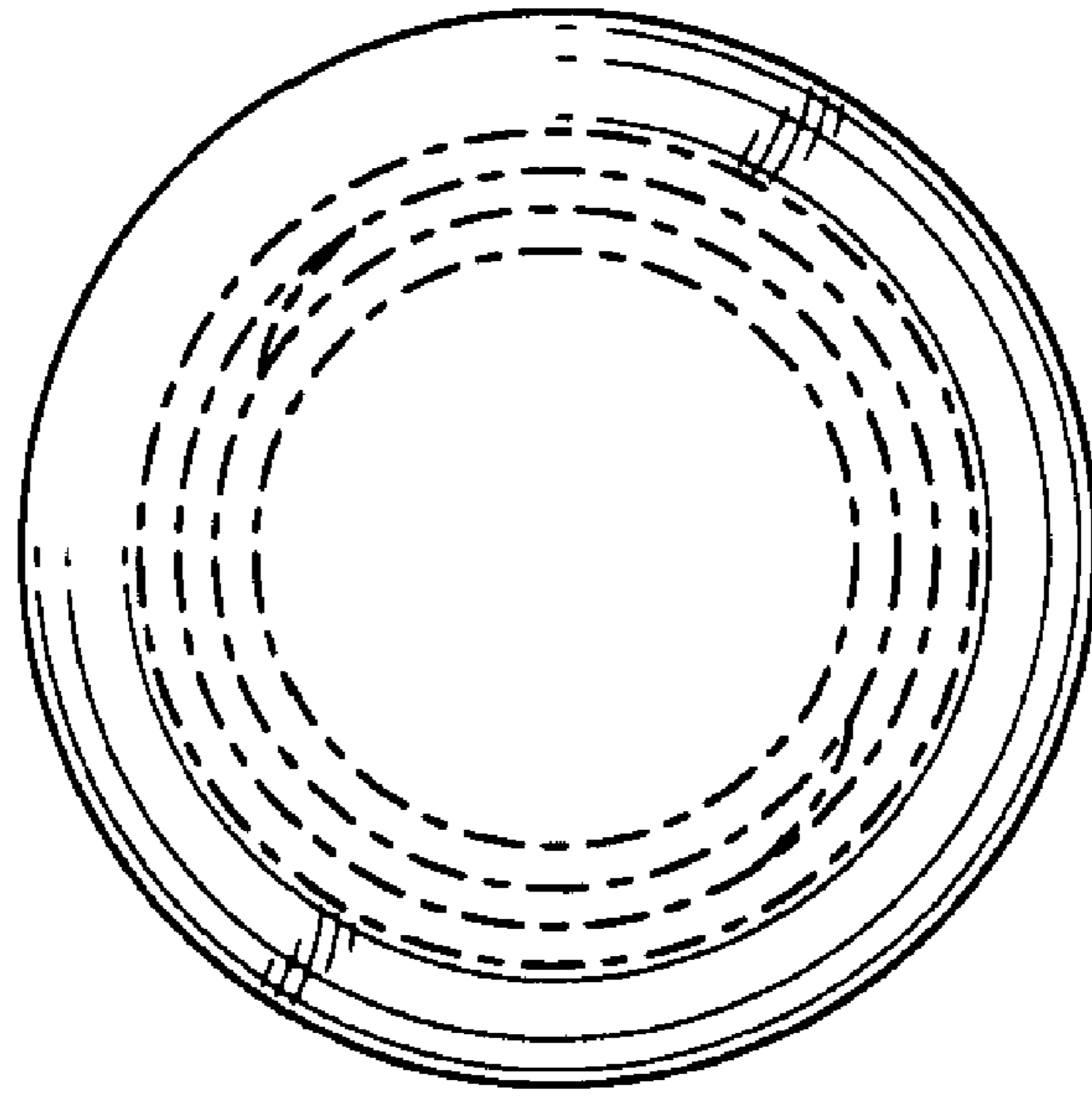


FIG. 4

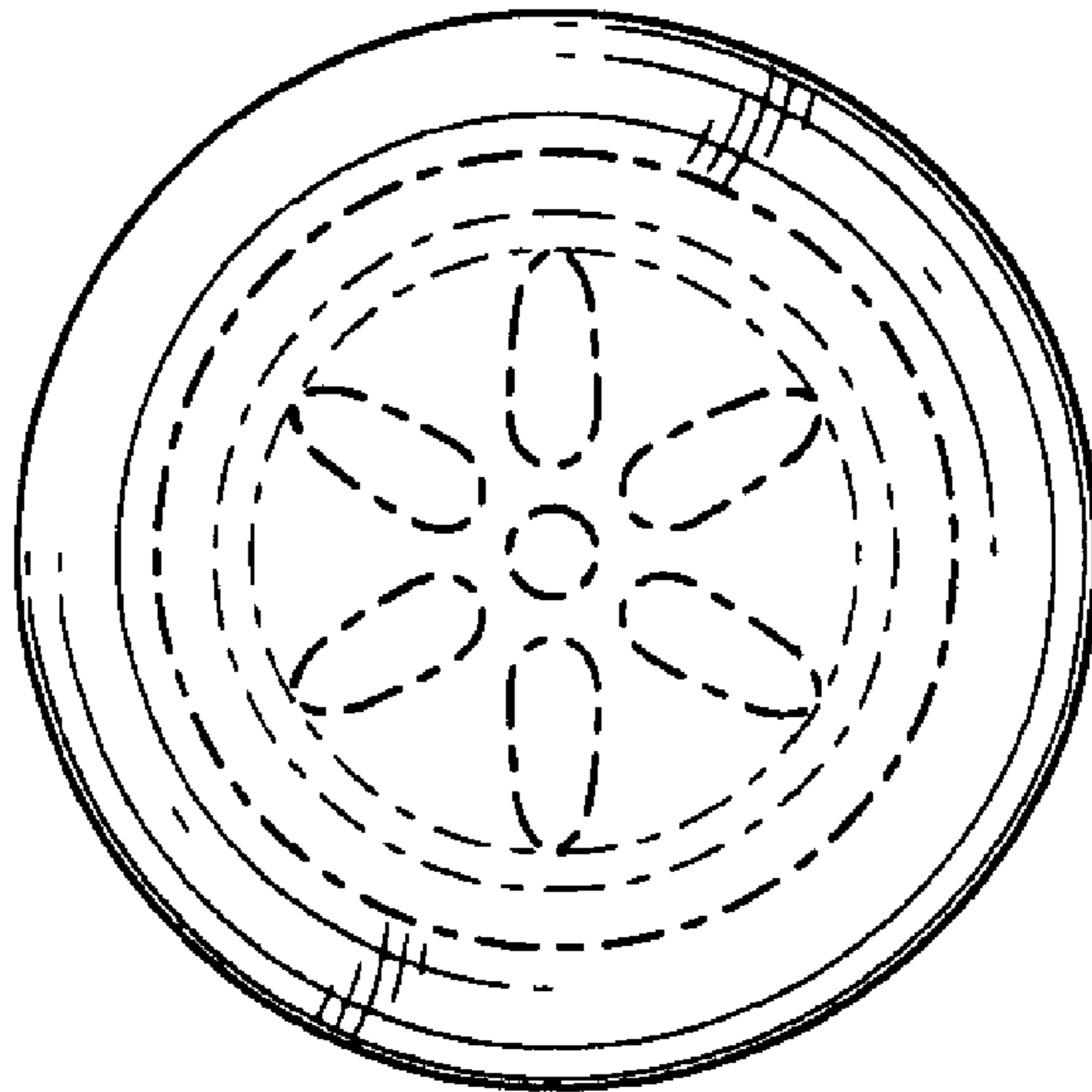


FIG. 5

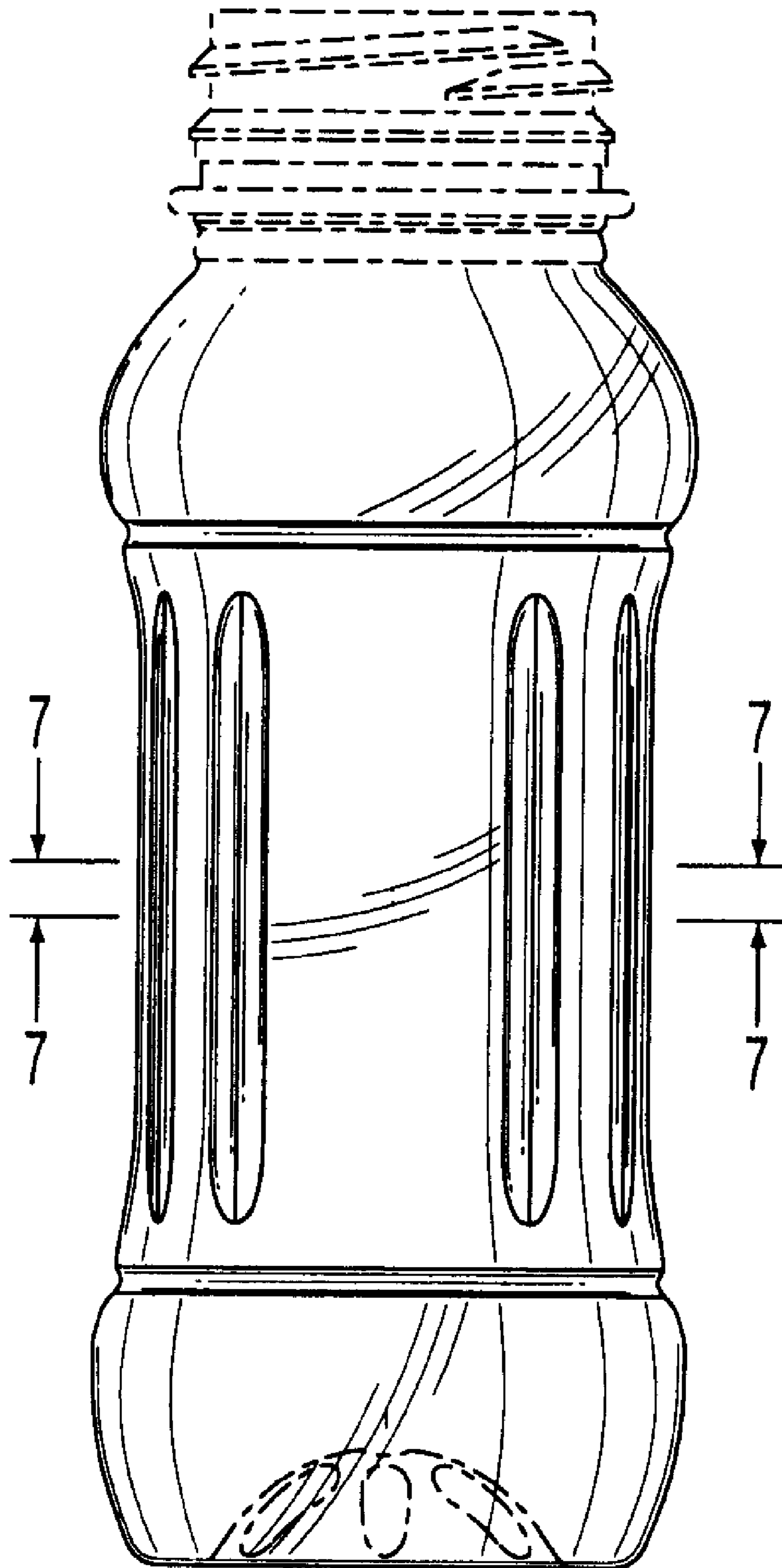


FIG. 6

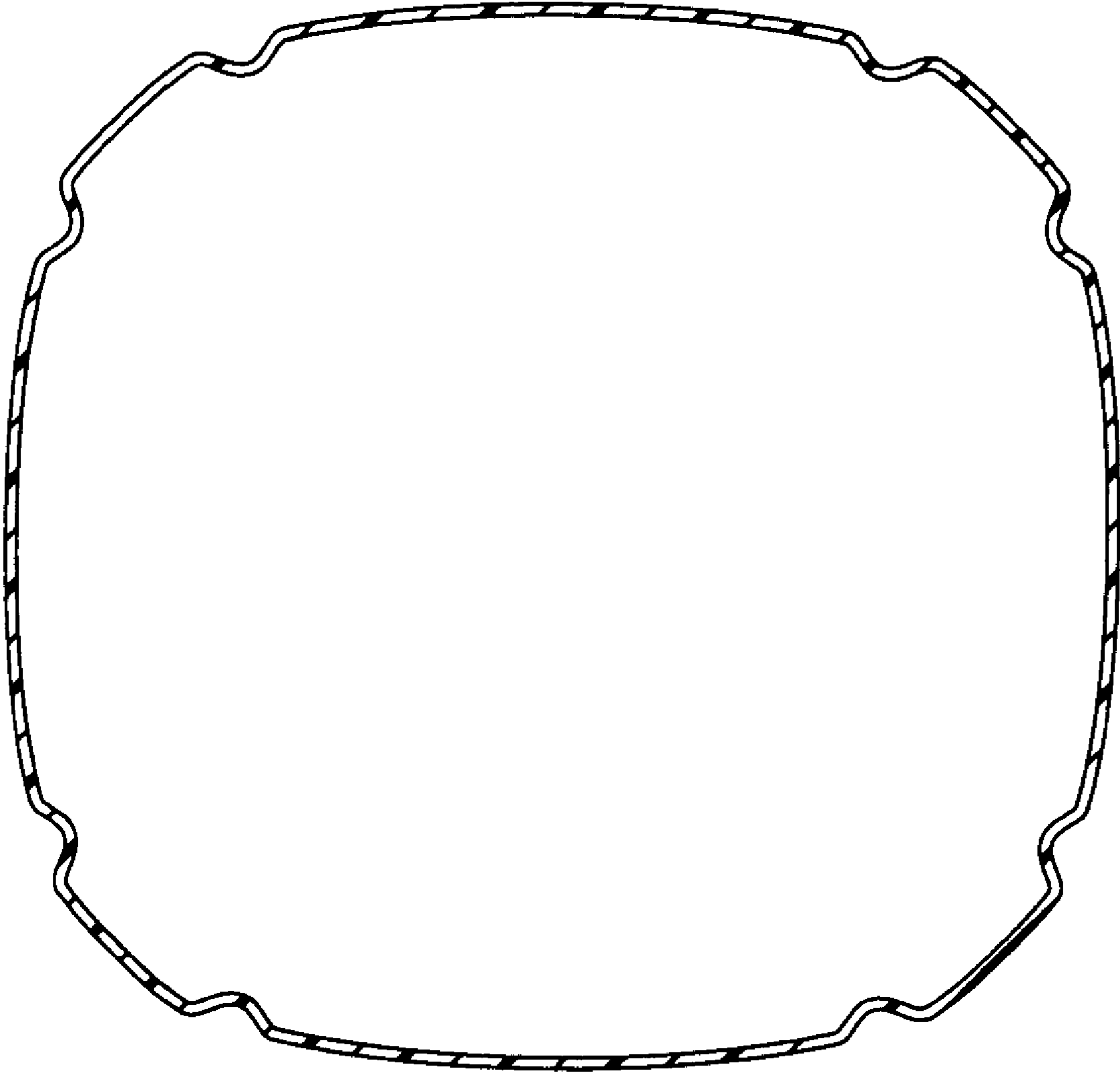


FIG. 7