

US00D547181S

(12) **United States Design Patent**
Miller

(10) **Patent No.:** **US D547,181 S**

(45) **Date of Patent:** **** Jul. 24, 2007**

(54) **APPLICATOR CAP**

D518,379 S * 4/2006 Decottignies et al. D9/447

(75) Inventor: **Jared Miller**, North Ridgeville, OH
(US)

* cited by examiner

(73) Assignee: **Henkel Corporation**, Gulph Mills, PA
(US)

Primary Examiner—Robert M. Spear

Assistant Examiner—Susan Bennett Hattan

(74) *Attorney, Agent, or Firm*—Stephen D. Harper; Glenn E. J. Murphy

(**) Term: **14 Years**

(57) **CLAIM**

(21) Appl. No.: **29/248,853**

The ornamental design for an applicator cap, as shown and described.

(22) Filed: **Sep. 8, 2006**

(51) **LOC (8) Cl.** **09-07**

(52) **U.S. Cl.** **D9/435**

(58) **Field of Classification Search** D9/745,
D9/733, 705, 690, 688, 686, 682, 529, 526,
D9/525, 503, 454, 453, 452, 450, 449, 448,
D9/447, 435; D8/14.1; D7/398, 392, 392.1;
D32/45; D28/7, 20; 222/542, 531, 529,
222/213, 207, 541.2-6; 220/717, 713, 254.3-4
See application file for complete search history.

DESCRIPTION

FIG. 1 is a top left front perspective view of an applicator cap according to the new design;

FIG. 2 is a bottom left rear perspective view thereof;

FIG. 3 is a front elevation view thereof;

FIG. 4 is a rear elevation view thereof;

FIG. 5 is a left elevation view thereof;

FIG. 6 is a right elevation view thereof;

FIG. 7 is a top plan view thereof; and,

FIG. 8 is a bottom plan view thereof.

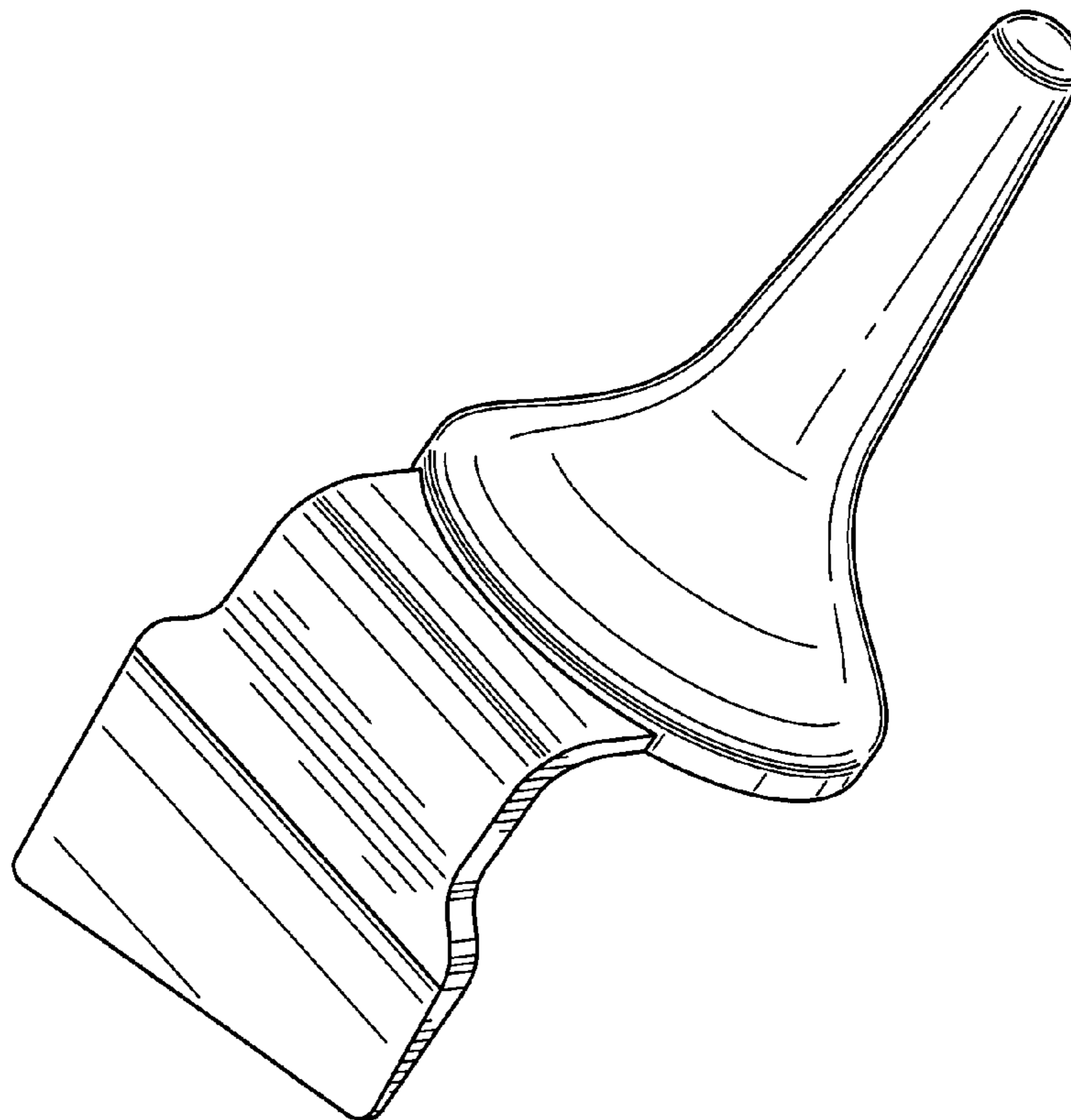
The broken lines in the drawings are for illustrative purposes only and form no part of the claimed design.

(56) **References Cited**

U.S. PATENT DOCUMENTS

- D199,606 S * 11/1964 Waterman D24/115
- D260,614 S * 9/1981 Petersson D9/447
- D312,774 S * 12/1990 Tacconelli D9/502
- D428,141 S * 7/2000 Brotspies et al. D24/114

1 Claim, 5 Drawing Sheets



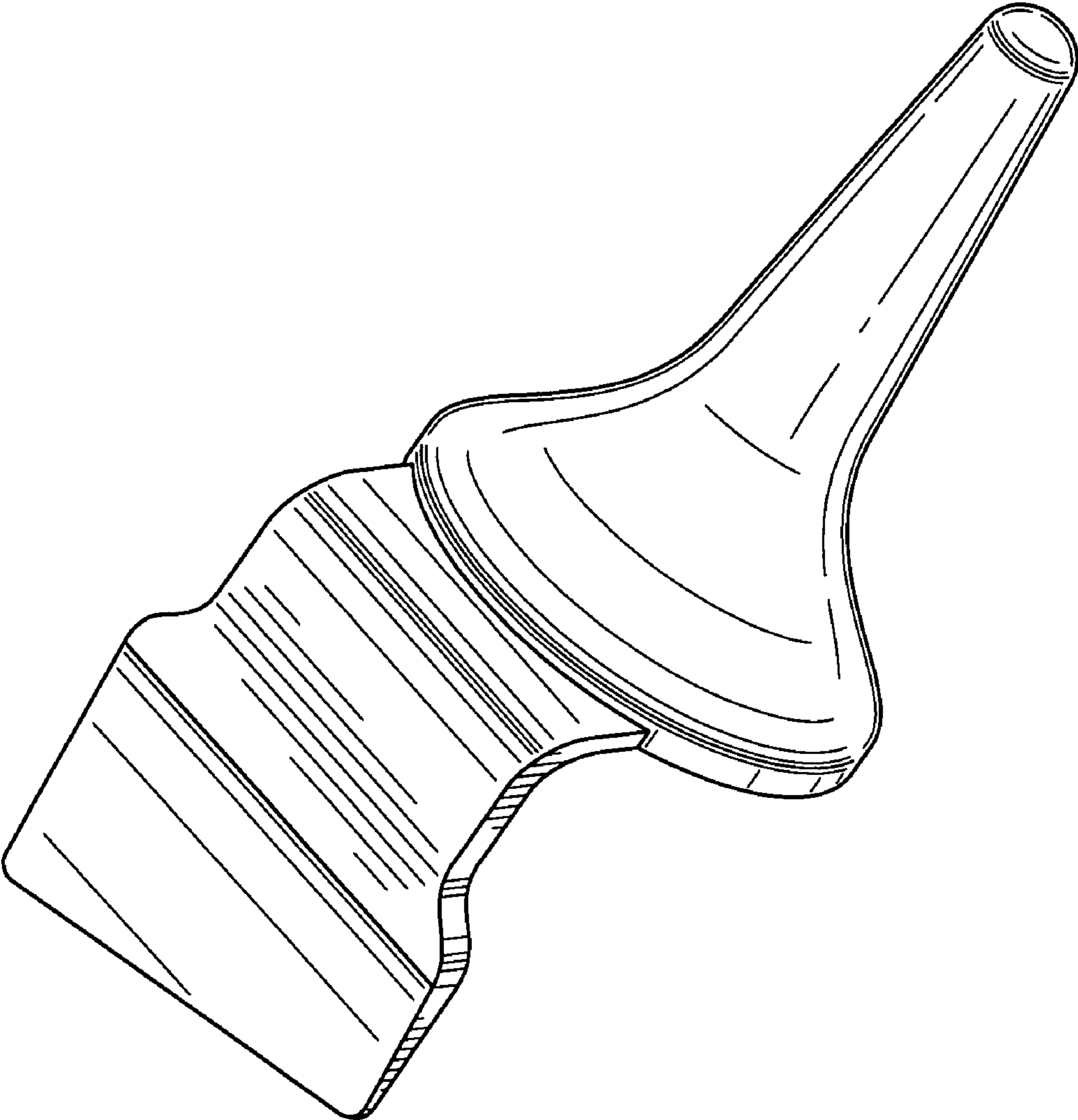


FIG. 1

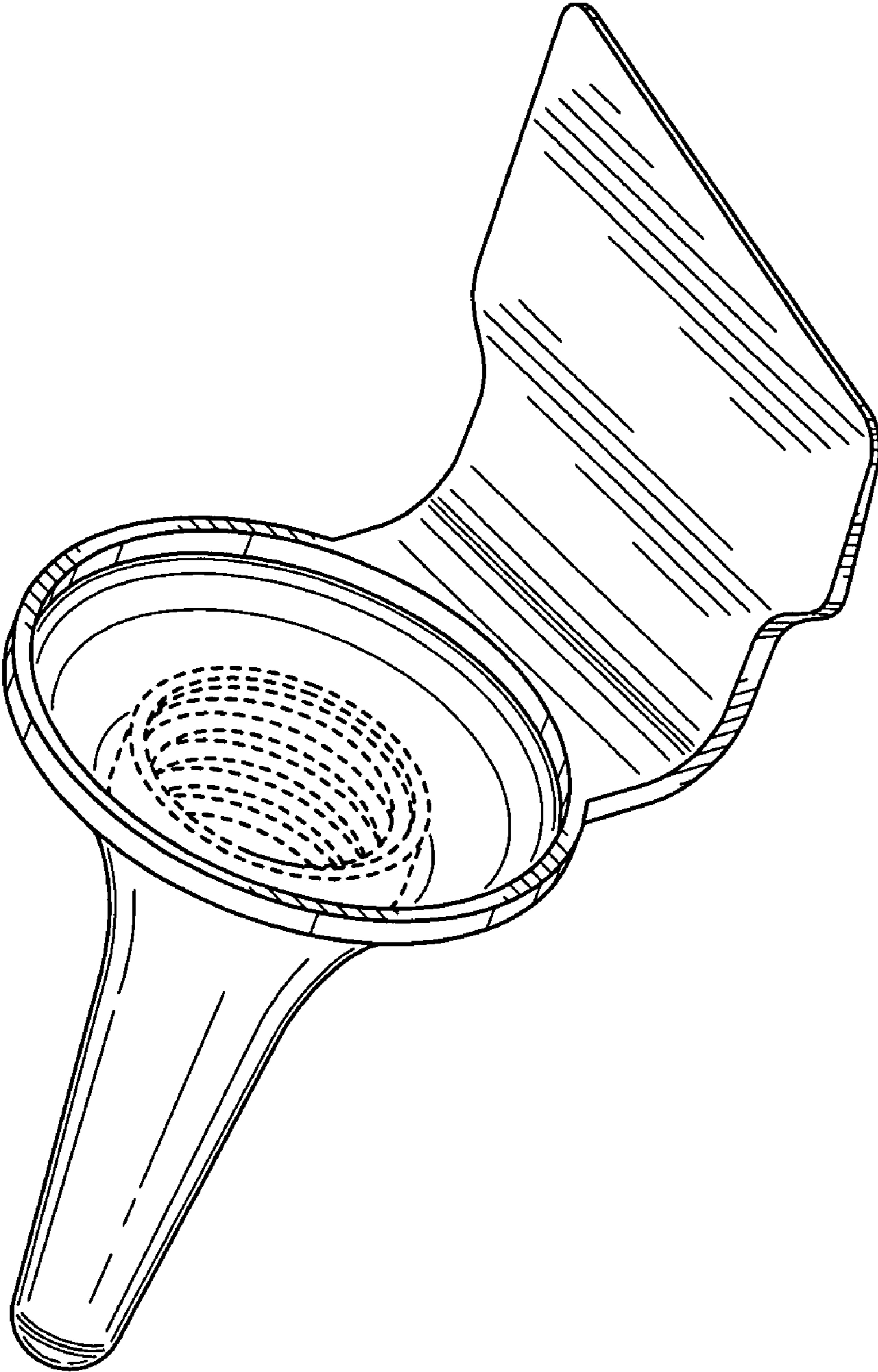


FIG. 2

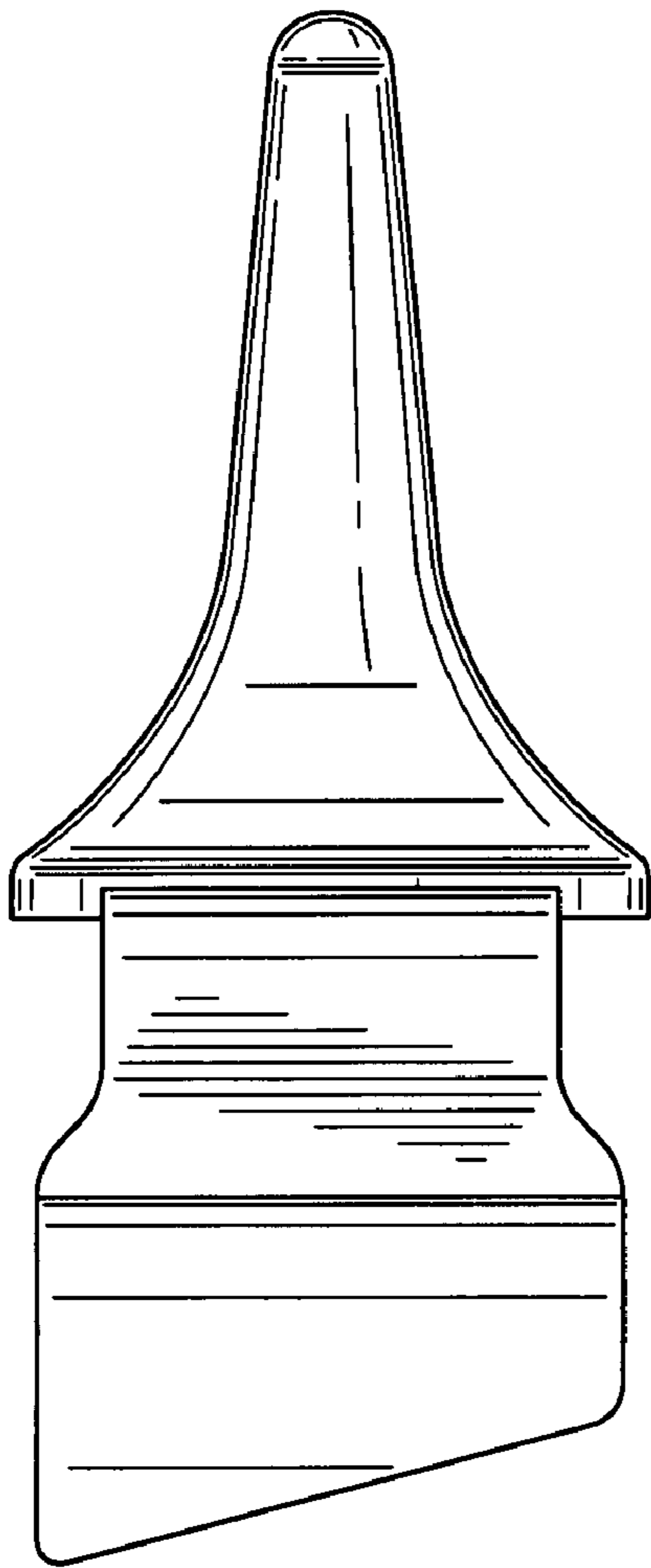


FIG. 3

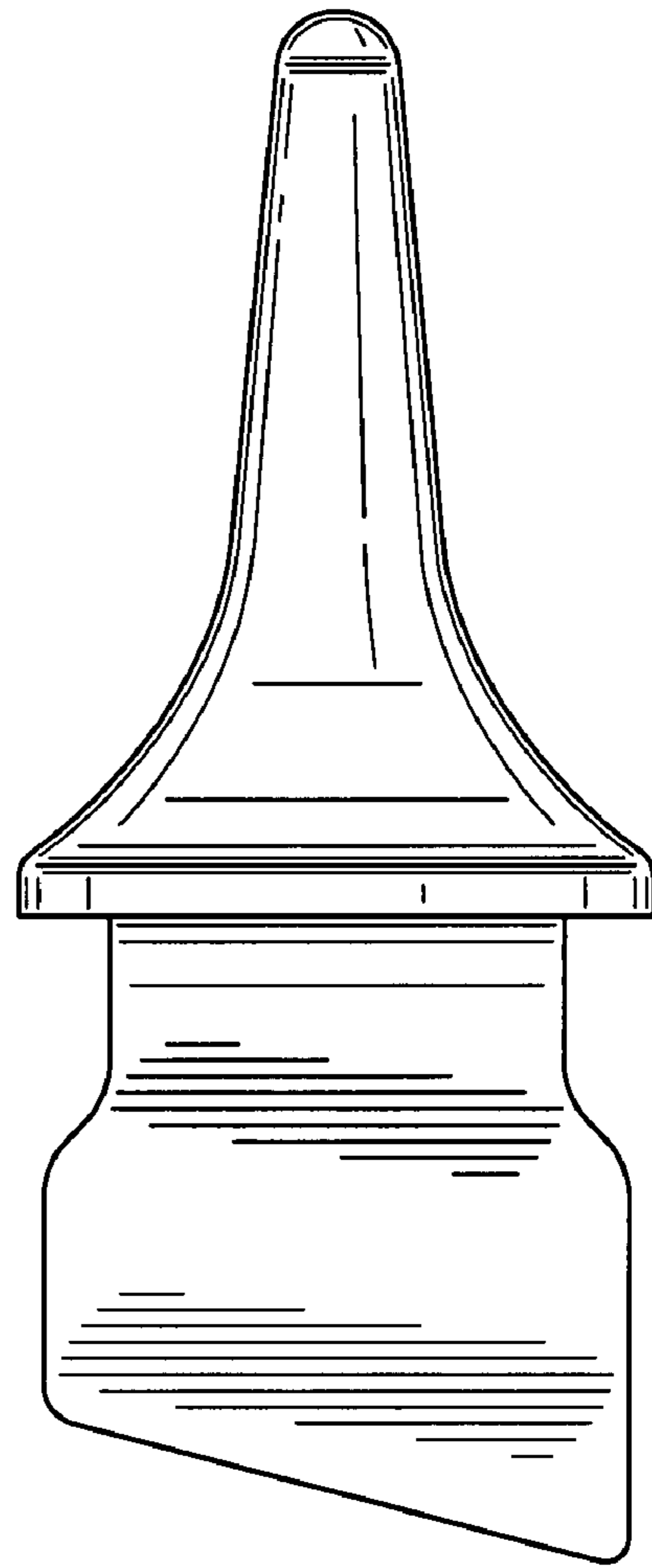


FIG. 4

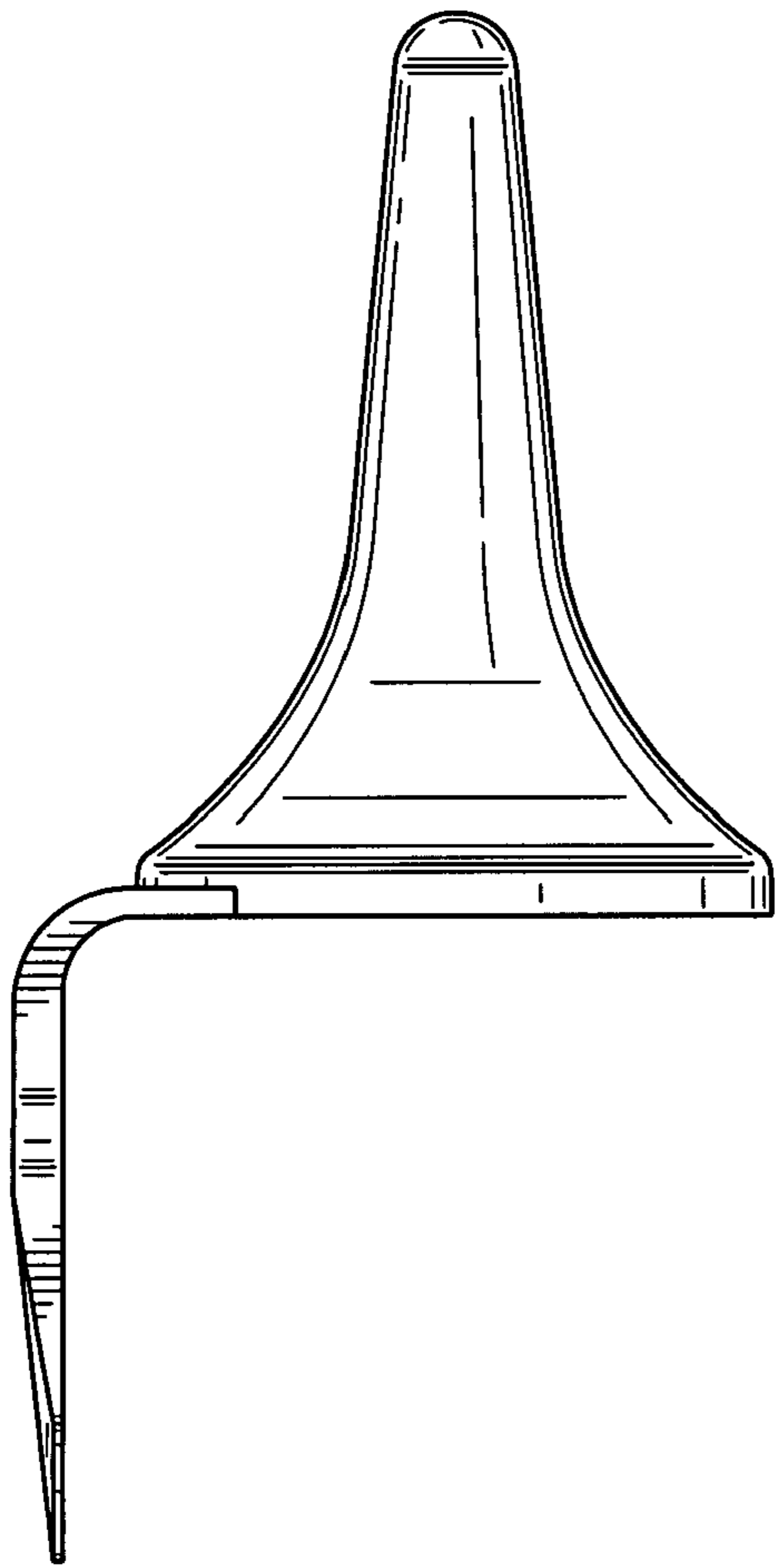


FIG. 5

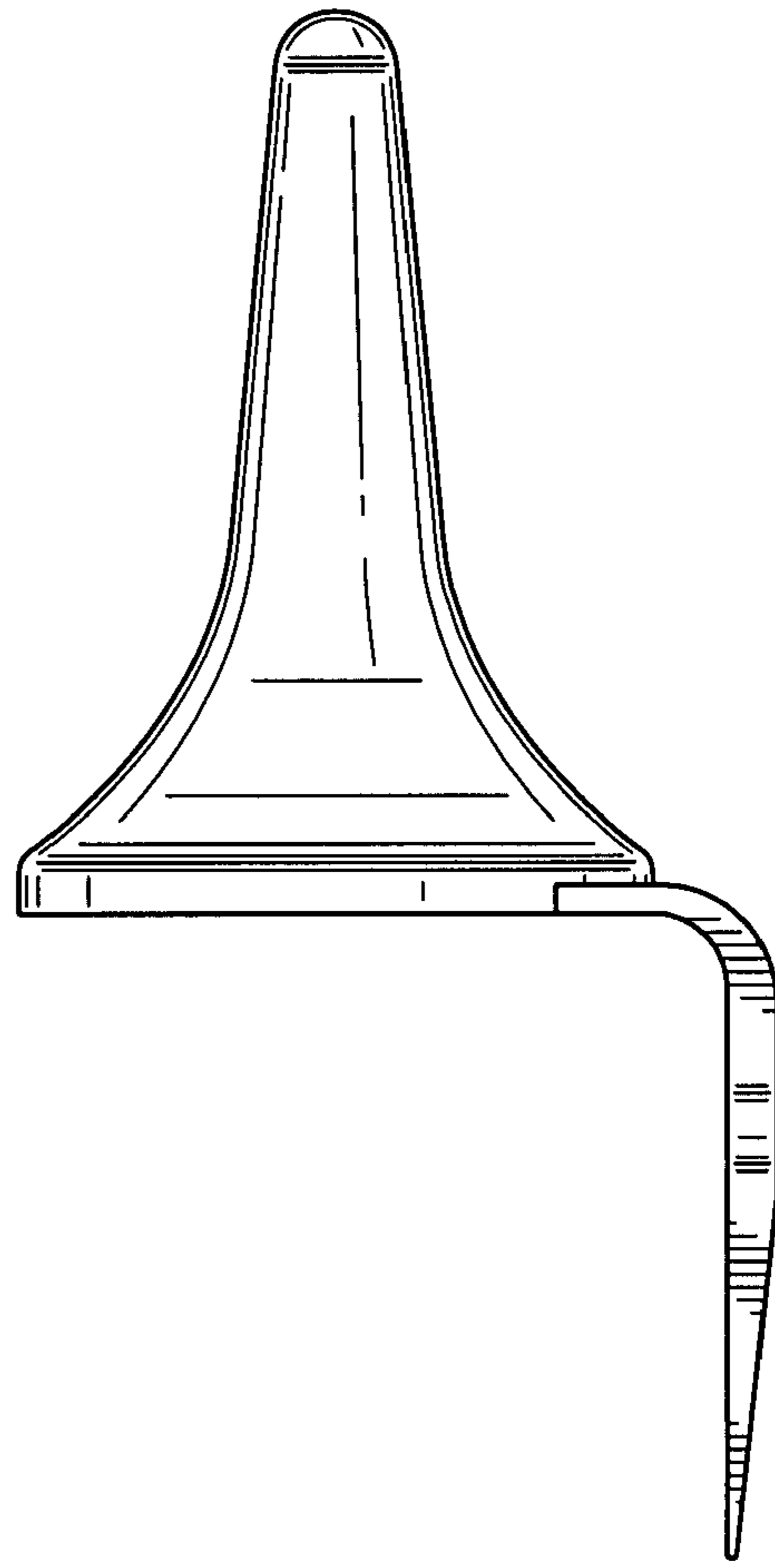


FIG. 6

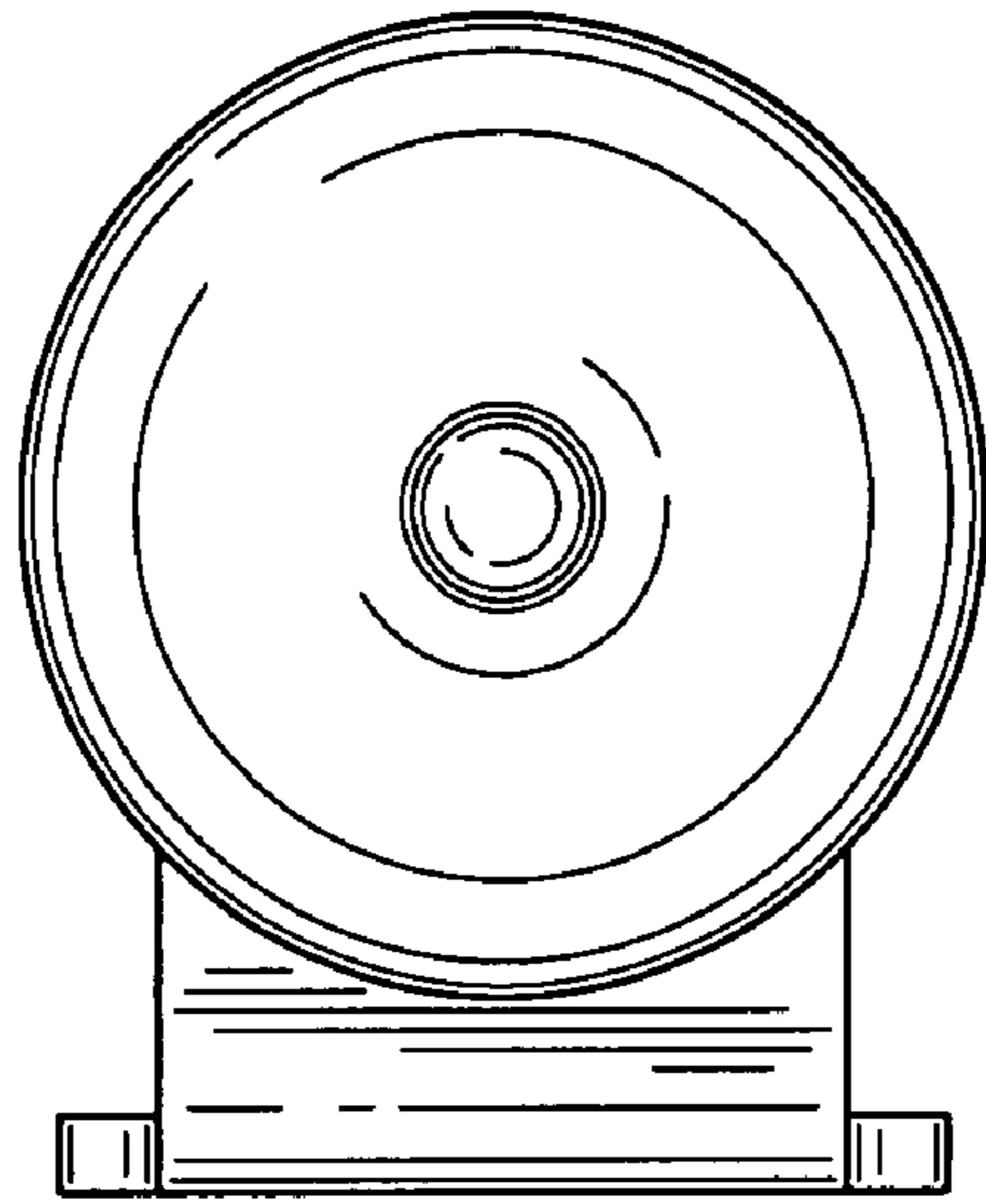


FIG. 7

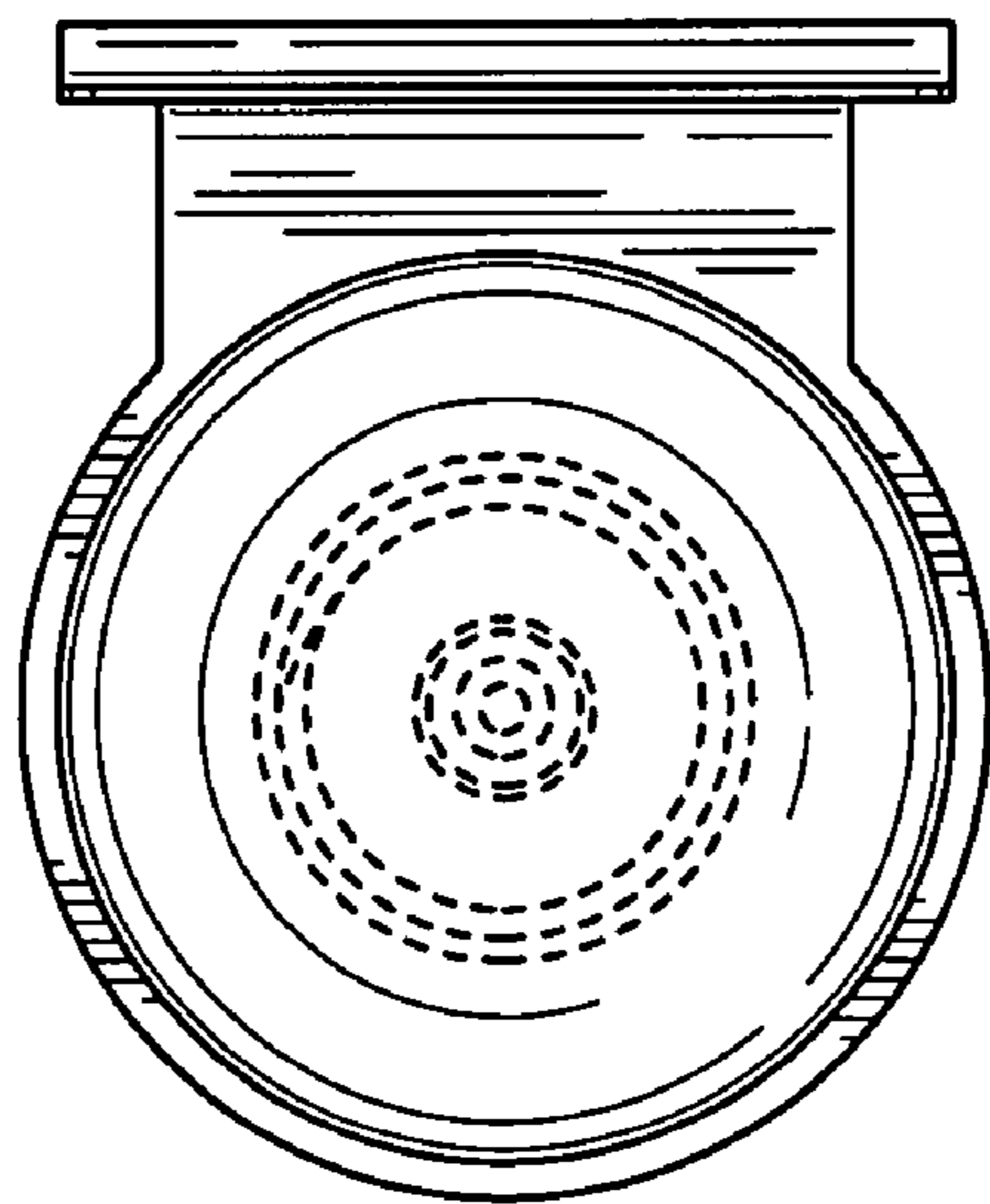


FIG. 8