

US00D547179S

(12) **United States Design Patent**
Bouveret et al.

(10) **Patent No.:** **US D547,179 S**

(45) **Date of Patent:** **** Jul. 24, 2007**

(54) **OVAL CONTAINER**

(75) Inventors: **Nicolas Bouveret**, Mirabel (CA);
Jean-Pierre Lacroix, Bois d'Amont
(FR)

(73) Assignee: **North American I.M.L. Containers**,
St-Placide, Quebec (CA)

(**) Term: **14 Years**

(21) Appl. No.: **29/238,495**

(22) Filed: **Sep. 19, 2005**

(51) **LOC (8) Cl.** **09-03**

(52) **U.S. Cl.** **D9/428**

(58) **Field of Classification Search** D9/428,
D9/414, 424, 425, 429; D7/602; 206/504,
206/505; 220/380, 574, 669, 675; 229/939,
229/940

See application file for complete search history.

(56) **References Cited**

U.S. PATENT DOCUMENTS

D235,302 S * 6/1975 Lanigan D7/584
4,046,310 A * 9/1977 Gustafsson 206/503
D253,168 S * 10/1979 Nilsson et al. D9/425

D312,968 S * 12/1990 Wolff D9/431
D319,978 S * 9/1991 Wolff D9/431
D418,720 S * 1/2000 Lillelund et al. D7/602

* cited by examiner

Primary Examiner—Prabhakar Deshmukh

Assistant Examiner—Derrick Holland

(74) *Attorney, Agent, or Firm*—Ogilvy Renault LLP

(57) **CLAIM**

The ornamental design for a oval container, as shown and described.

DESCRIPTION

FIG. 1 is a top perspective view of an oval container showing our new design;

FIG. 2 is a bottom perspective view thereof;

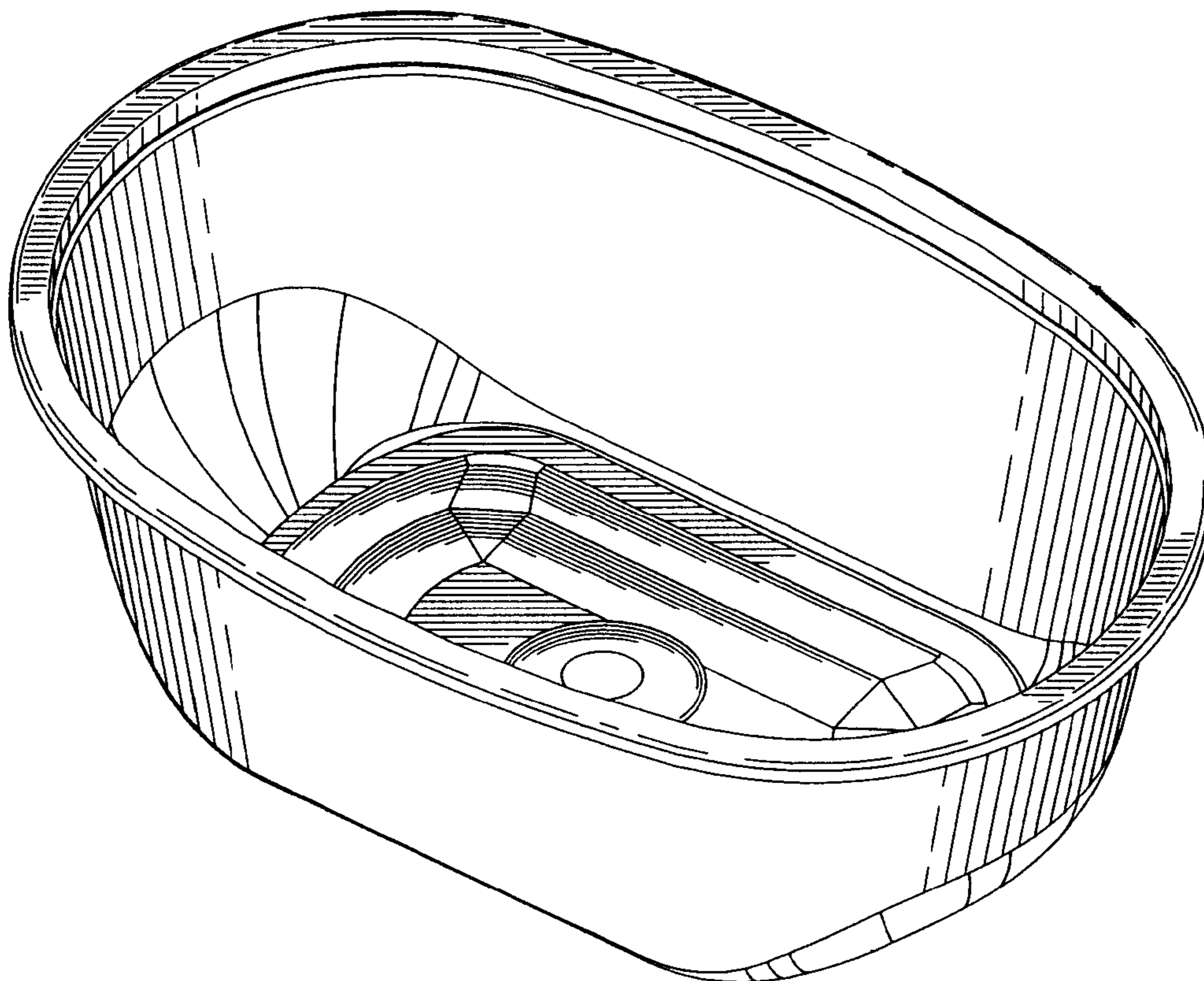
FIG. 3 is a top view thereof;

FIG. 4 is a bottom view thereof;

FIG. 5 is an end view thereof, the other end being a mirror image; and,

FIG. 6 is a side view thereof, the other side being a mirror image.

1 Claim, 3 Drawing Sheets



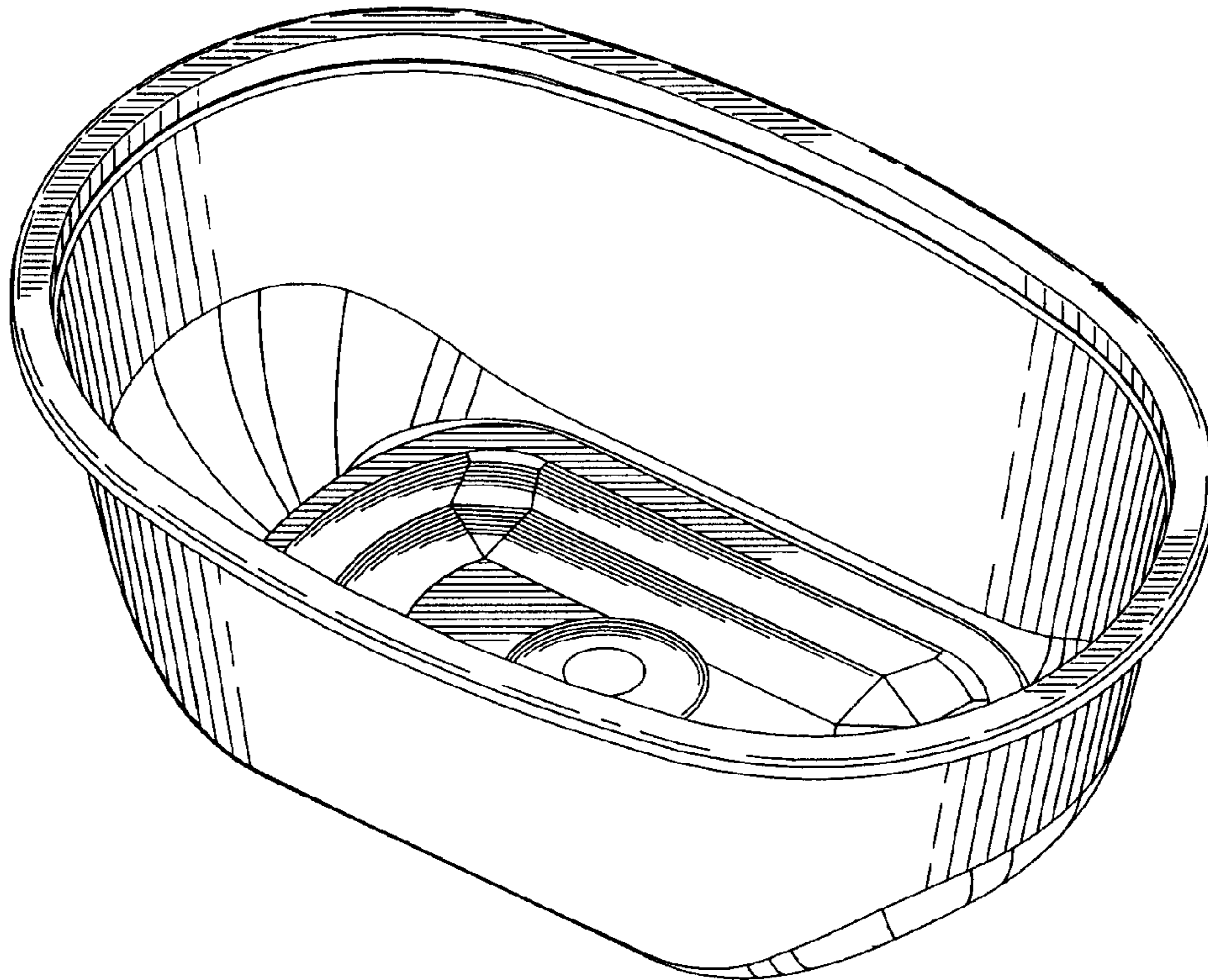


FIG. 1

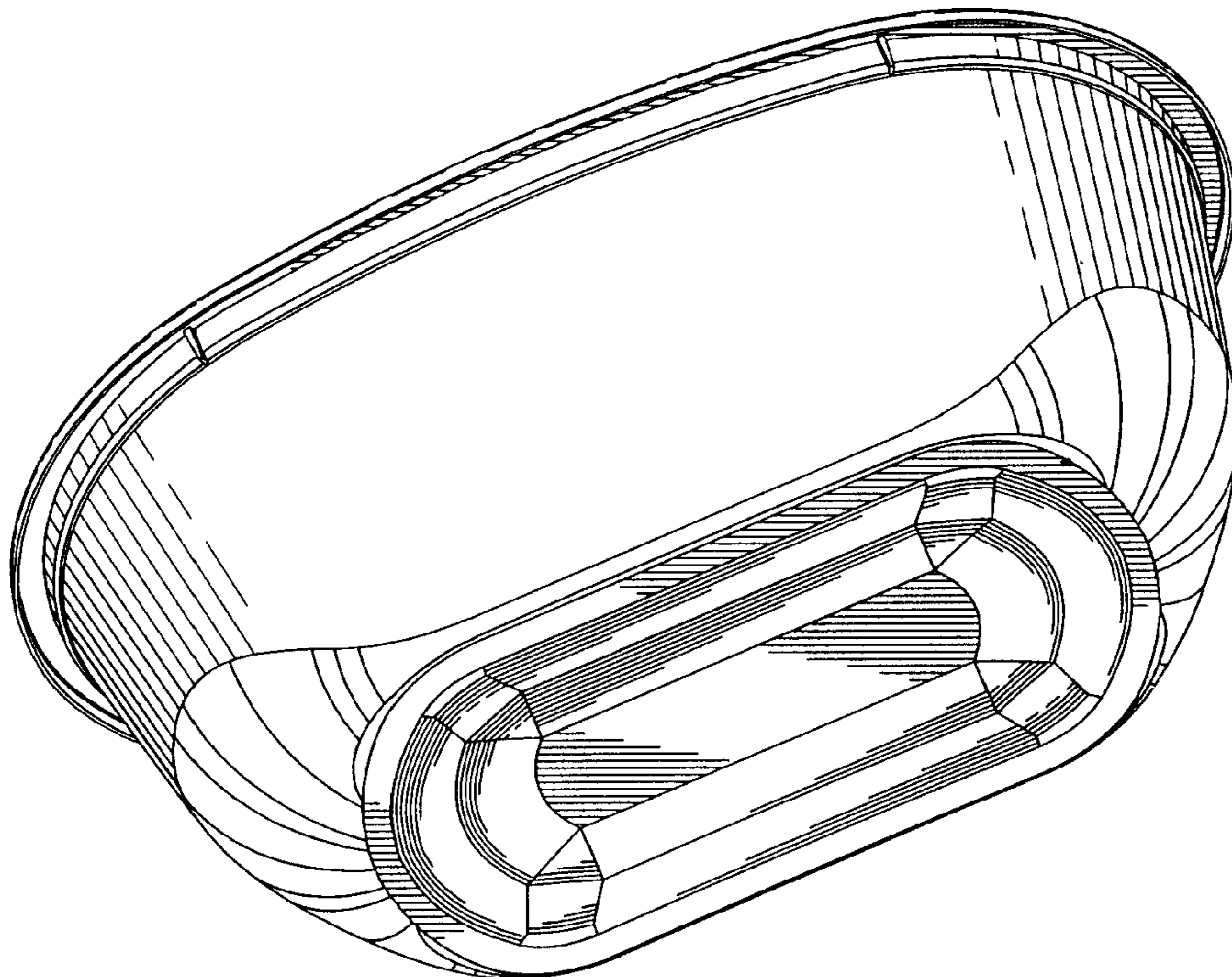


FIG. 2

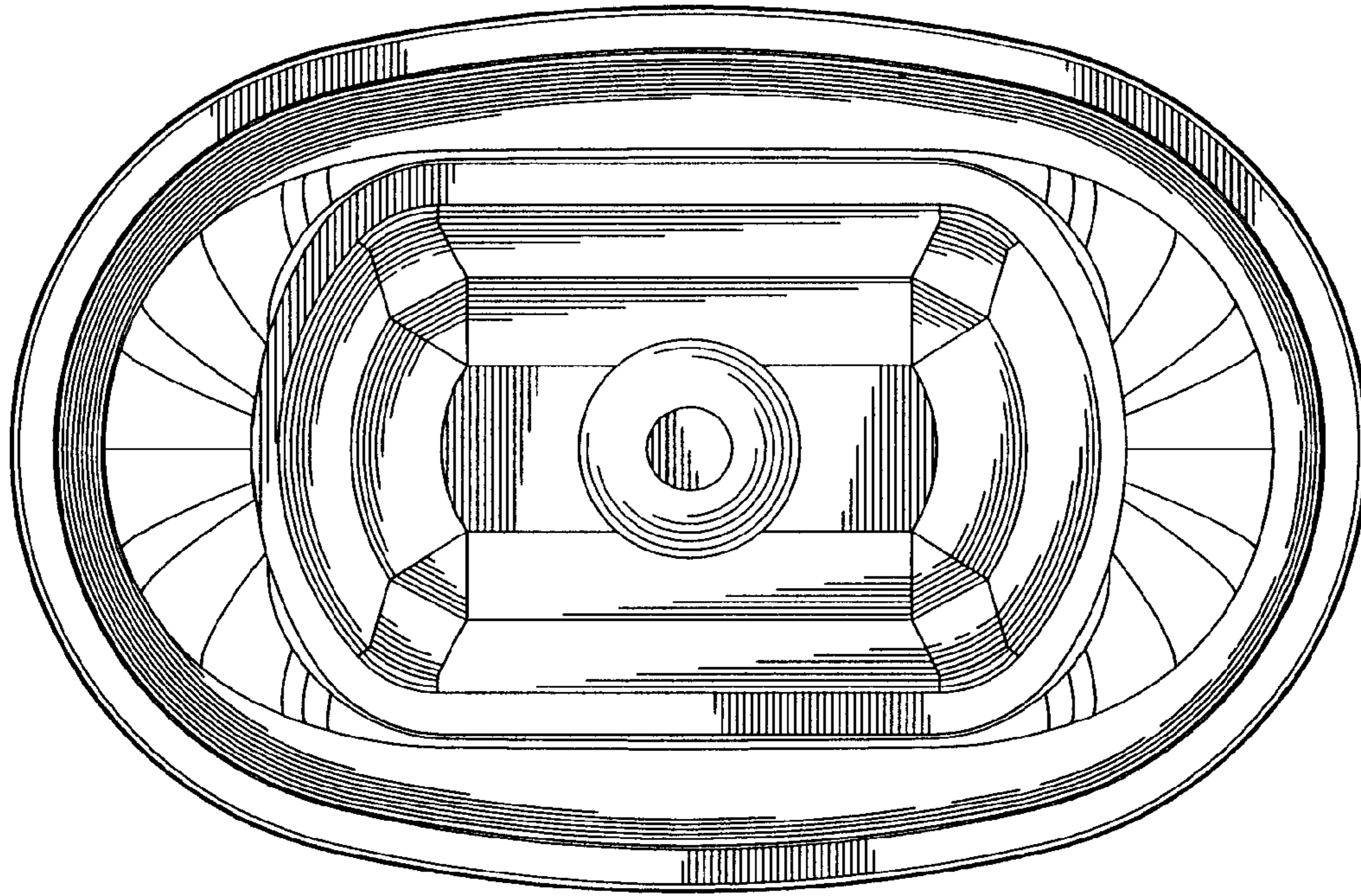


FIG. 3

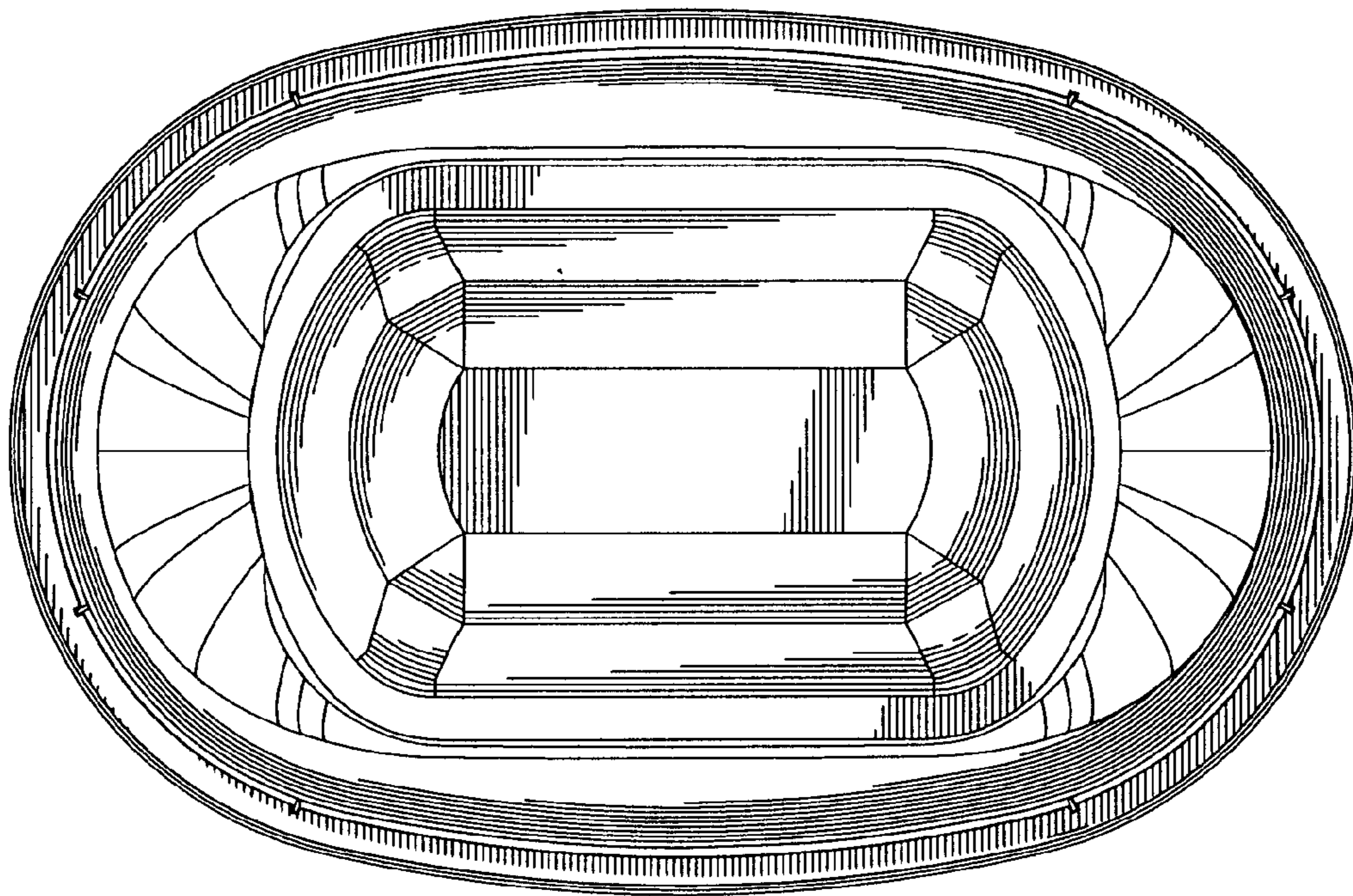


FIG. 4

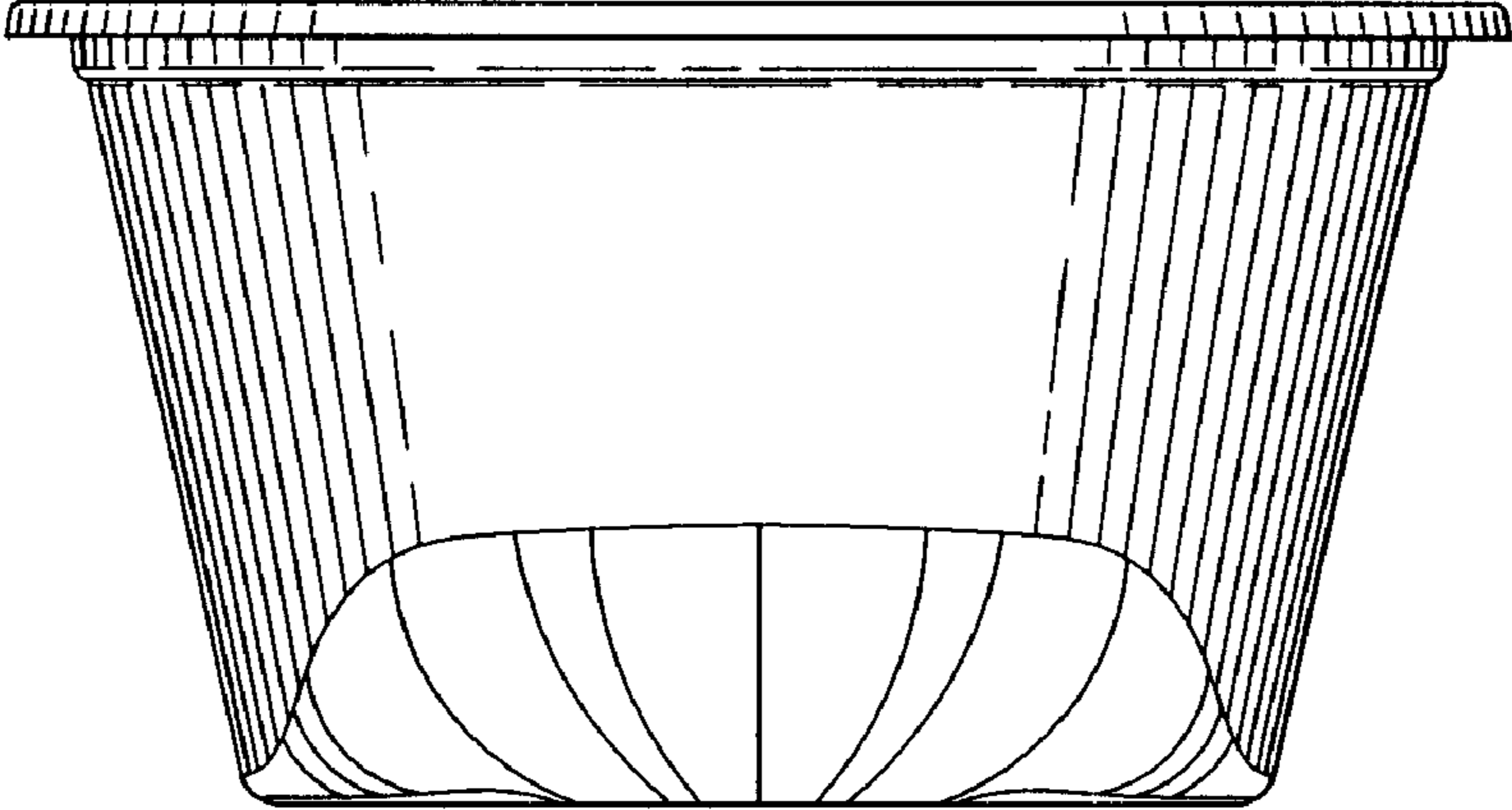


FIG. 5

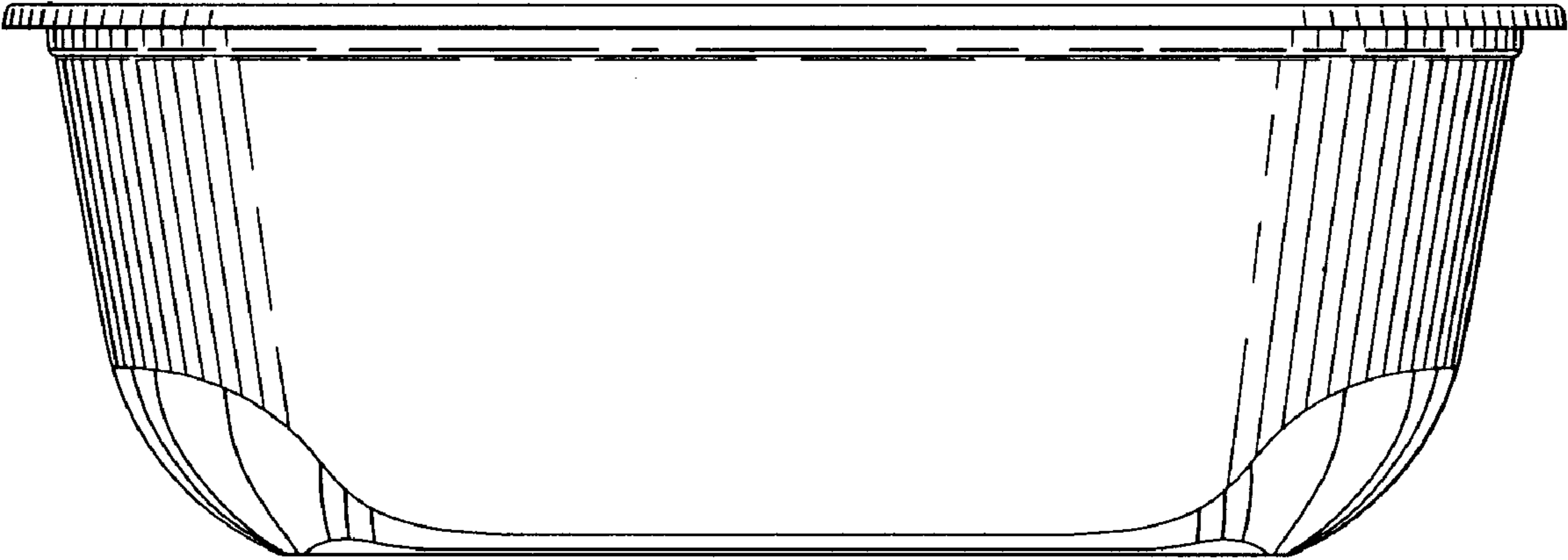


FIG. 6