

US00D547175S

(12) **United States Design Patent** (10) **Patent No.:** **US D547,175 S**
Berg (45) **Date of Patent:** **** Jul. 24, 2007**

(54) **MIRRORED DISPENSER CONTAINER**

(76) Inventor: **Robert Isaac Berg**, 8430 Glendale Dr.,
Baine, WA (US) 98230

(**) Term: **14 Years**

(21) Appl. No.: **29/241,157**

(22) Filed: **Oct. 25, 2005**

Related U.S. Application Data

(63) Continuation-in-part of application No. 10/858,391,
filed on Jun. 2, 2004.

(51) **LOC (8) Cl.** **09-03**

(52) **U.S. Cl.** **D9/423; D9/420**

(58) **Field of Classification Search** D9/414-435,
D9/438, 443, 744, 730, 733, 759; D7/590,
D7/596, 598, 601, 629, 538-549; D6/512,
D6/515, 518; D3/294, 273, 302, 203.2, 318;
D28/4, 7, 73, 77, 85; D24/131; 220/270,
220/265, 315, 810, 283, 254.1-254.9, 259.1-259.5;
221/26, 33, 45; 206/528, 530; 222/92-97
See application file for complete search history.

(56) **References Cited**

U.S. PATENT DOCUMENTS

2,257,682	A *	9/1941	Hermani	220/283
D256,172	S *	7/1980	Chevassus	D28/83
D258,542	S *	3/1981	Chevassus	D28/83
D338,279	S *	8/1993	Davis	D28/83
5,638,838	A *	6/1997	Lombardi	132/294
5,860,550	A *	1/1999	Miller et al.	220/4.23
D422,120	S *	3/2000	Orsomando	D28/83
D449,165	S *	10/2001	van der Hulst	D3/294
D452,148	S *	12/2001	Friedberg	D9/423
D469,607	S *	2/2003	Wolff	D3/294
D496,585	S *	9/2004	McBride et al.	D9/423

* cited by examiner

Primary Examiner—Stella Reid
Assistant Examiner—Thomas Johannes
(74) *Attorney, Agent, or Firm*—Stephen B. Parker, Esq.

(57) **CLAIM**

The ornamental design for a mirrored dispenser container, as shown and described.

DESCRIPTION

FIG. 1 is a top perspective view of a mirrored dispenser container, showing my new design, in a closed state;

FIG. 2 is a front side view thereof;

FIG. 3 is a rear side view thereof;

FIG. 4 is a right side view thereof;

FIG. 5 is a left side view thereof;

FIG. 6 is a top plan view thereof;

FIG. 7 is a bottom plan view thereof; and,

FIG. 8 is a top perspective view thereof, in an open state.

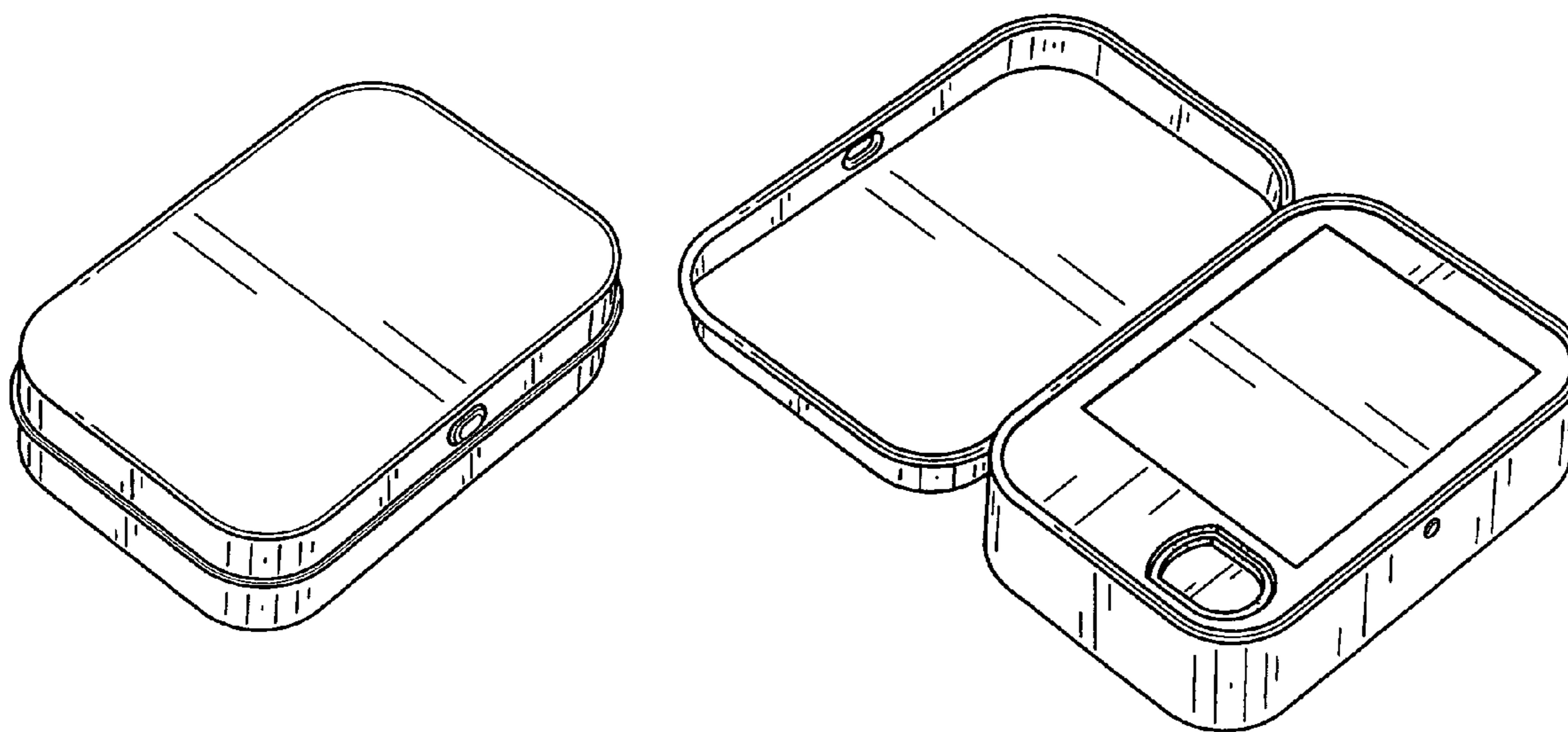
In some embodiments, the portions of the mirrored dispenser container shown in FIGS. 1 to 7 are made of metal such that at least the rib edge portion around the periphery of the lid has a metallic color.

In some embodiments, the substantially rectangular portion on the interior upper wall that is exposed upon opening the lid to the position shown in FIG. 8 is reflective or a mirror.

In some embodiments, the underside of the lid is reflective or a mirror such as to present such underside upon opening into the configuration shown in FIG. 8.

In some embodiments, the dispensing opening shown exposed in the open state in FIG. 8 at a lower corner of the upper wall is formed into the shape of a circle, or an ellipse, or a rectangle, or another shape.

1 Claim, 5 Drawing Sheets



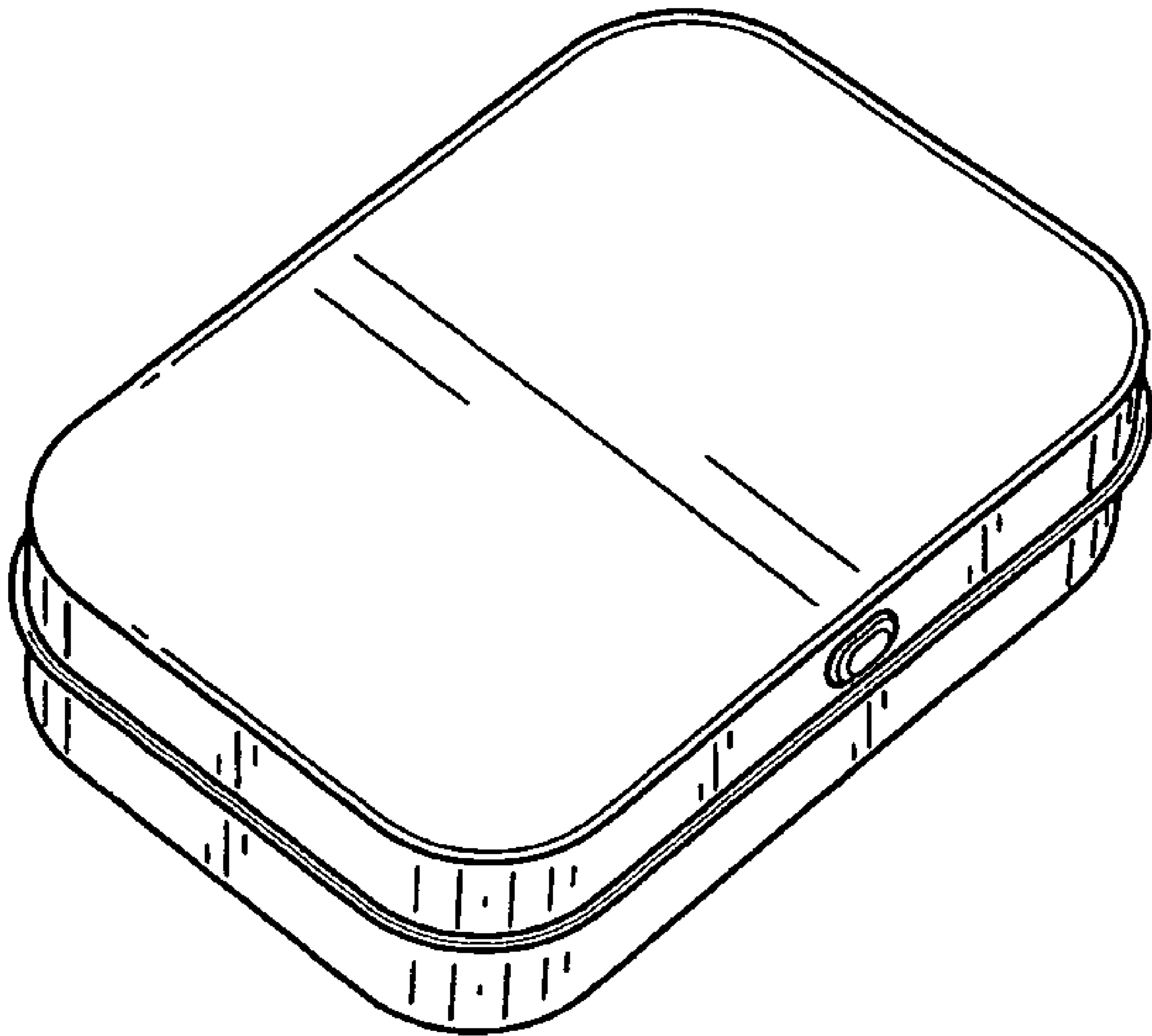


FIG. 1

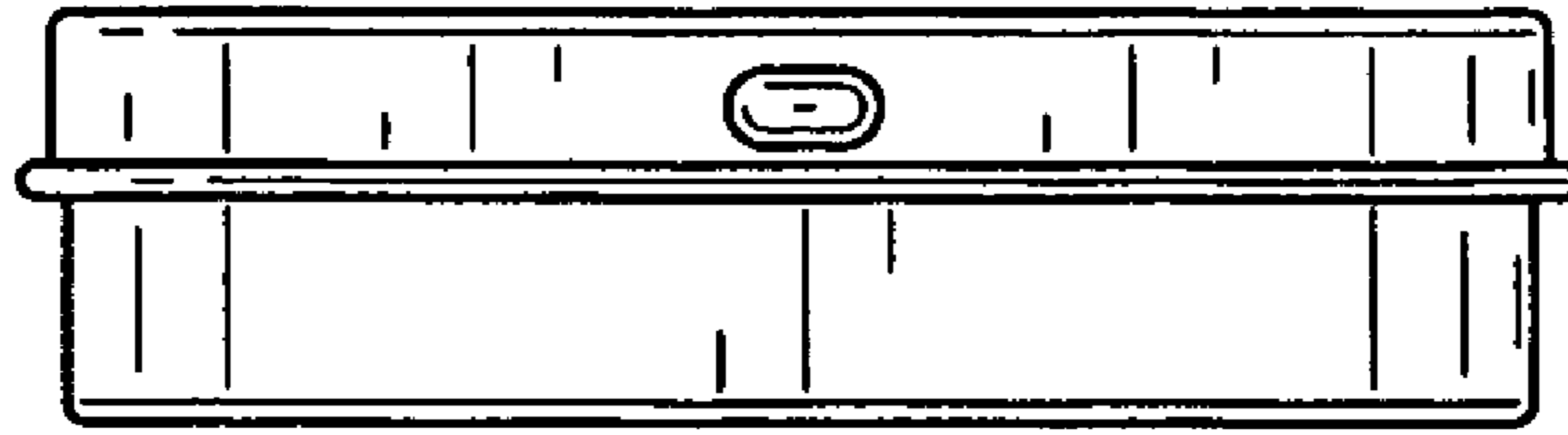


FIG. 2

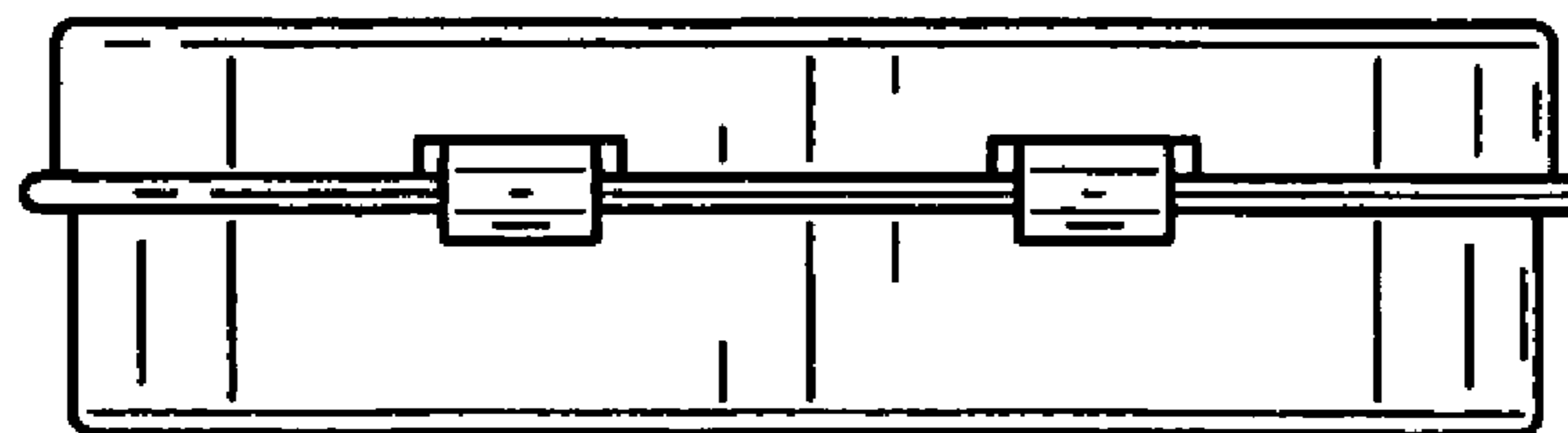


FIG. 3

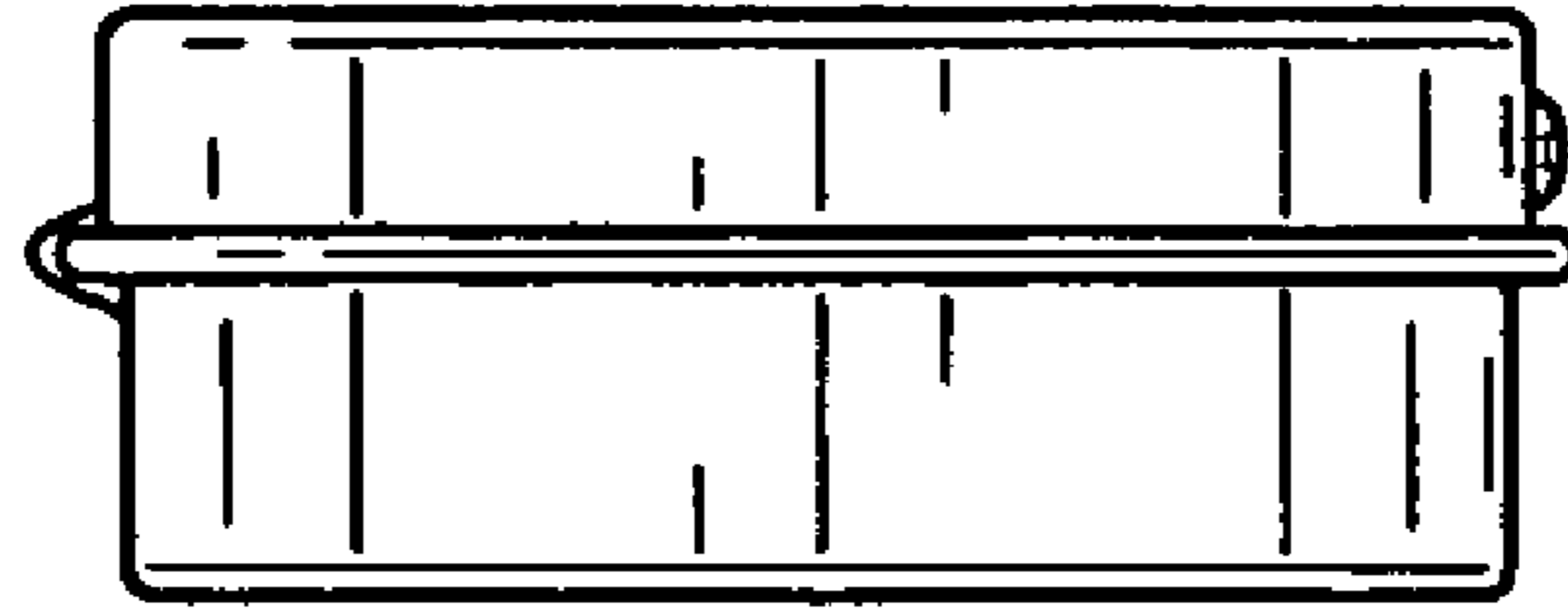


FIG. 4

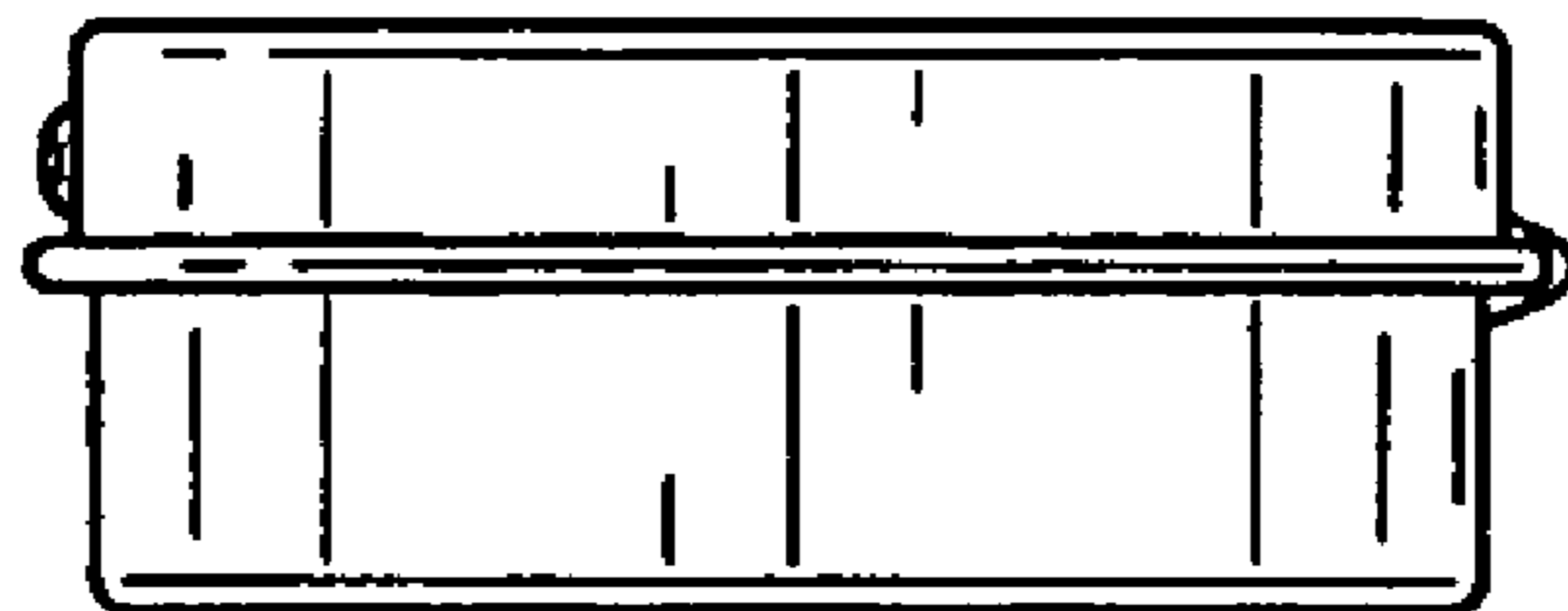


FIG. 5

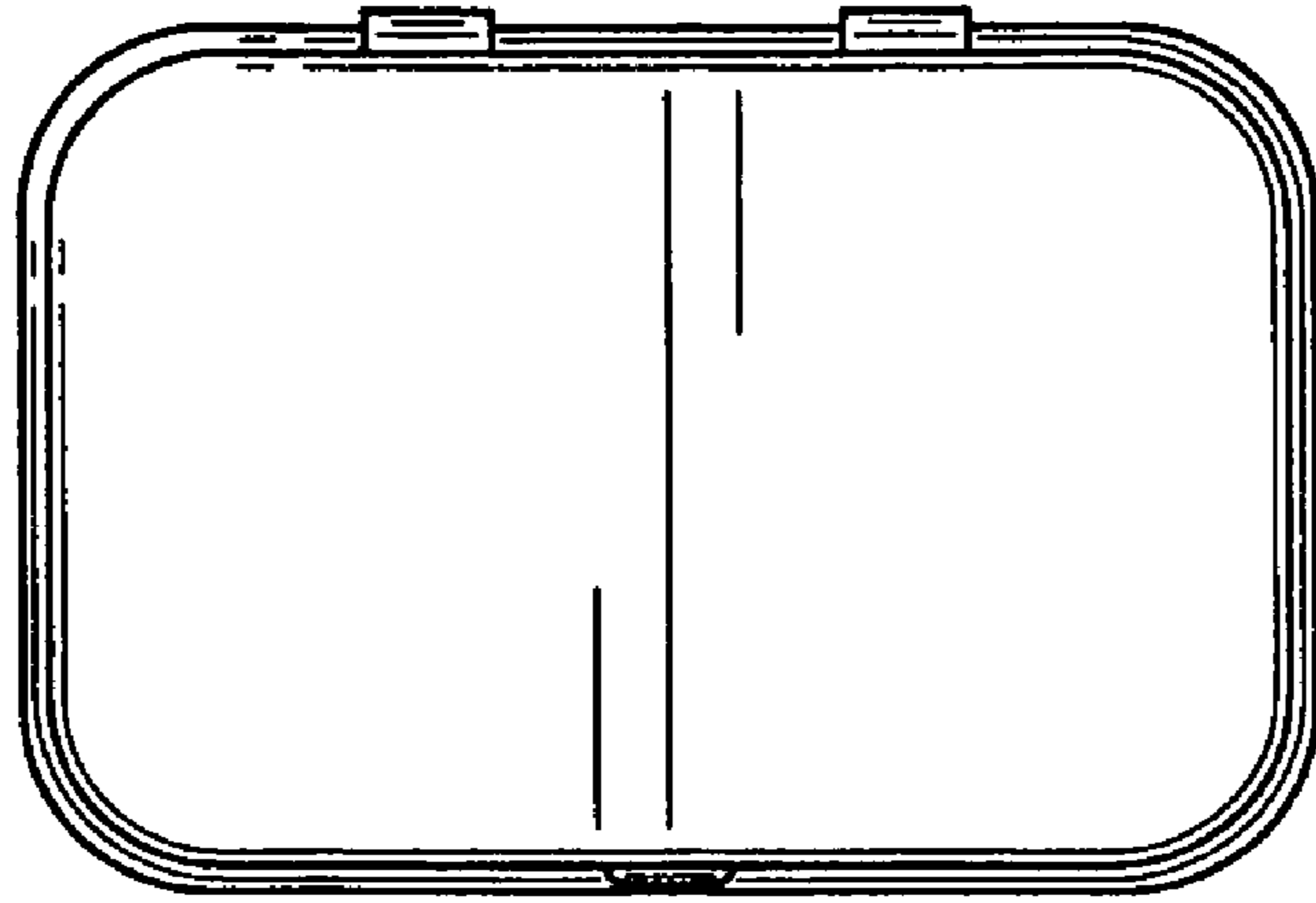


FIG. 6

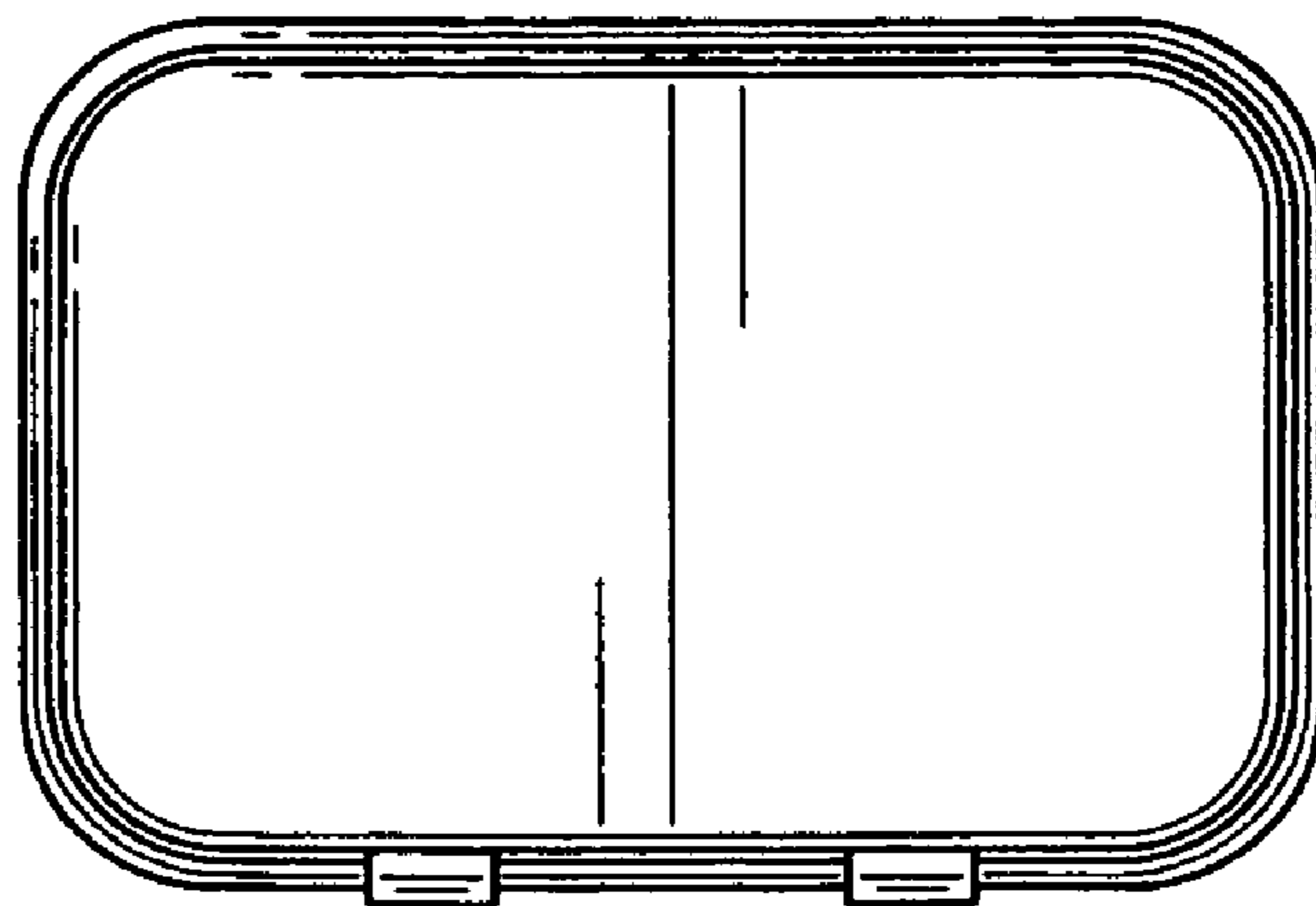


FIG. 7

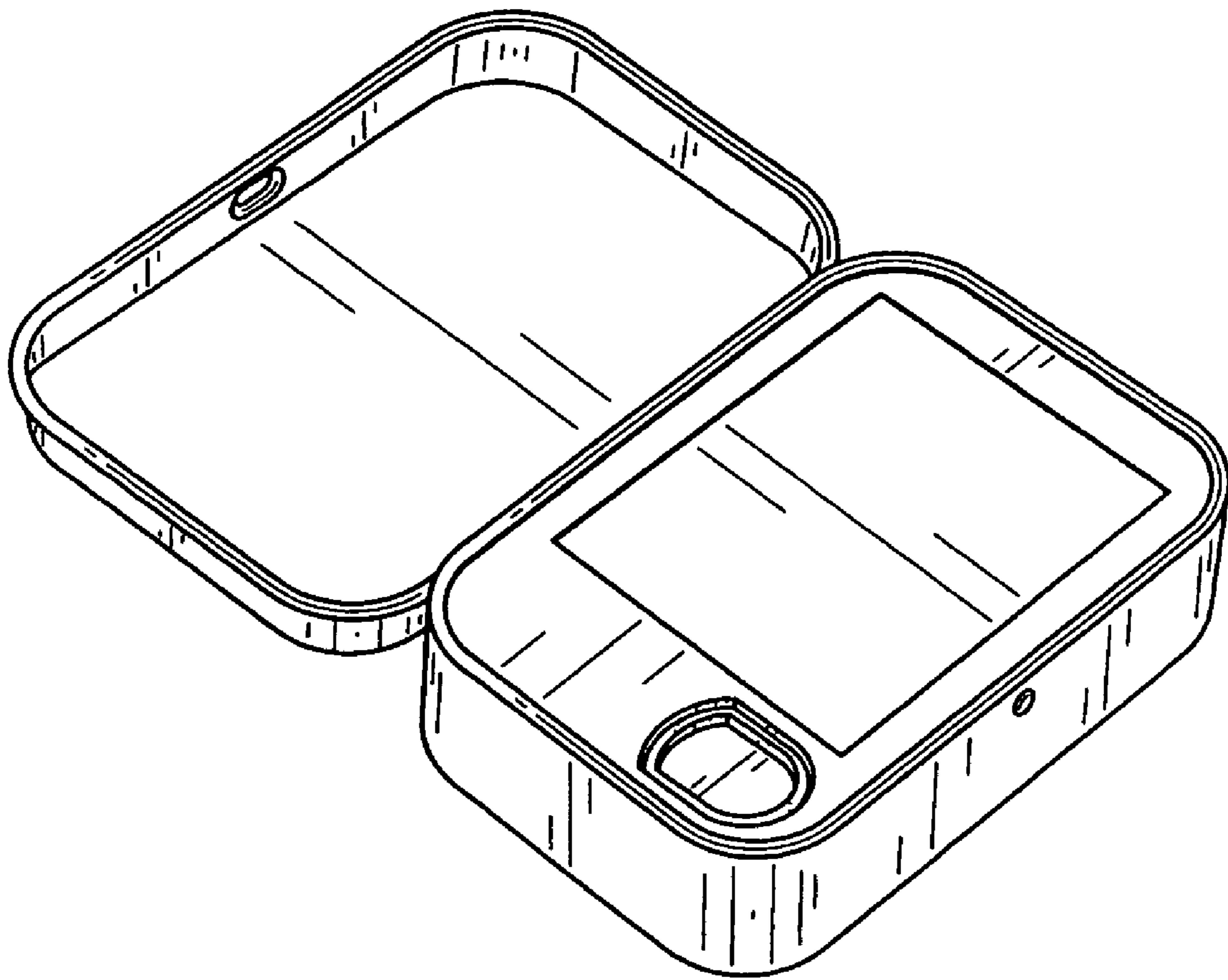


FIG. 8